



US00D976015S

(12) **United States Design Patent**
Maetzschke

(10) **Patent No.:** **US D976,015 S**

(45) **Date of Patent:** **** Jan. 24, 2023**

(54) **SOFA**

(71) Applicant: **Kai Maetzschke**, Dania Beach, FL
(US)

(72) Inventor: **Kai Maetzschke**, Dania Beach, FL
(US)

(**) Term: **15 Years**

(21) Appl. No.: **29/809,747**

(22) Filed: **Sep. 29, 2021**

(30) **Foreign Application Priority Data**

Jun. 17, 2021 (WO) WIPO105957

(51) **LOC (14) Cl.** **06-01**

(52) **U.S. Cl.**
USPC **D6/336**

(58) **Field of Classification Search**
USPC D6/334-347, 367, 369, 370, 371,
D6/373-375, 377, 378, 379, 381, 382,
D6/717

CPC A47C 7/18; A47C 7/22; A47C 7/24; A47C
7/54; A47C 7/541; A47C 7/543; A47C
7/546; A47C 17/02; A47C 17/04; A47C
15/002; A47C 5/043

See application file for complete search history.

(56) **References Cited**

U.S. PATENT DOCUMENTS

D188,318 S *	7/1960	Niederman	D6/335
4,077,666 A *	3/1978	Heumann	A47C 13/005
				D6/377
D253,326 S *	11/1979	Brukoff	D6/377
D297,983 S *	10/1988	Friedman	D6/381
D327,986 S *	7/1992	Gera	D6/381
D487,998 S *	4/2004	Natuzzi	D6/381
D488,315 S *	4/2004	Natuzzi	D6/377

D489,544 S *	5/2004	Nastri	D6/377
D494,376 S *	8/2004	Natuzzi	D6/381
D498,941 S *	11/2004	Ricci	D6/377
D499,264 S *	12/2004	Ricci	D6/377
D600,467 S *	9/2009	Natuzzi	D6/381
D859,874 S *	9/2019	Lipparini	D6/381
D941,045 S *	1/2022	Radonjanin-Stojmirova	D6/381
				D6/381
D948,234 S *	4/2022	Højfeldt	D6/377

OTHER PUBLICATIONS

Design # D083480-002, App. Date Nov. 19, 2013, Country code WO, Publication date May 16, 2014, Kai Mätzschke; PMR GmbH, (Year: 2014).*

(Continued)

Primary Examiner — Joseph Kukella
Assistant Examiner — Mark David Wolfley

(57) **CLAIM**

The ornamental design for a sofa, as shown and described.

DESCRIPTION

FIG. 1 is a top-front-left perspective view of a sofa showing my new design;

FIG. 2 is a bottom-rear-right perspective view thereof;

FIG. 3 is a front elevational view thereof;

FIG. 4 is a rear elevational view thereof;

FIG. 5 is a top plan view thereof;

FIG. 6 is a bottom plan view thereof;

FIG. 7 is a left elevational view thereof;

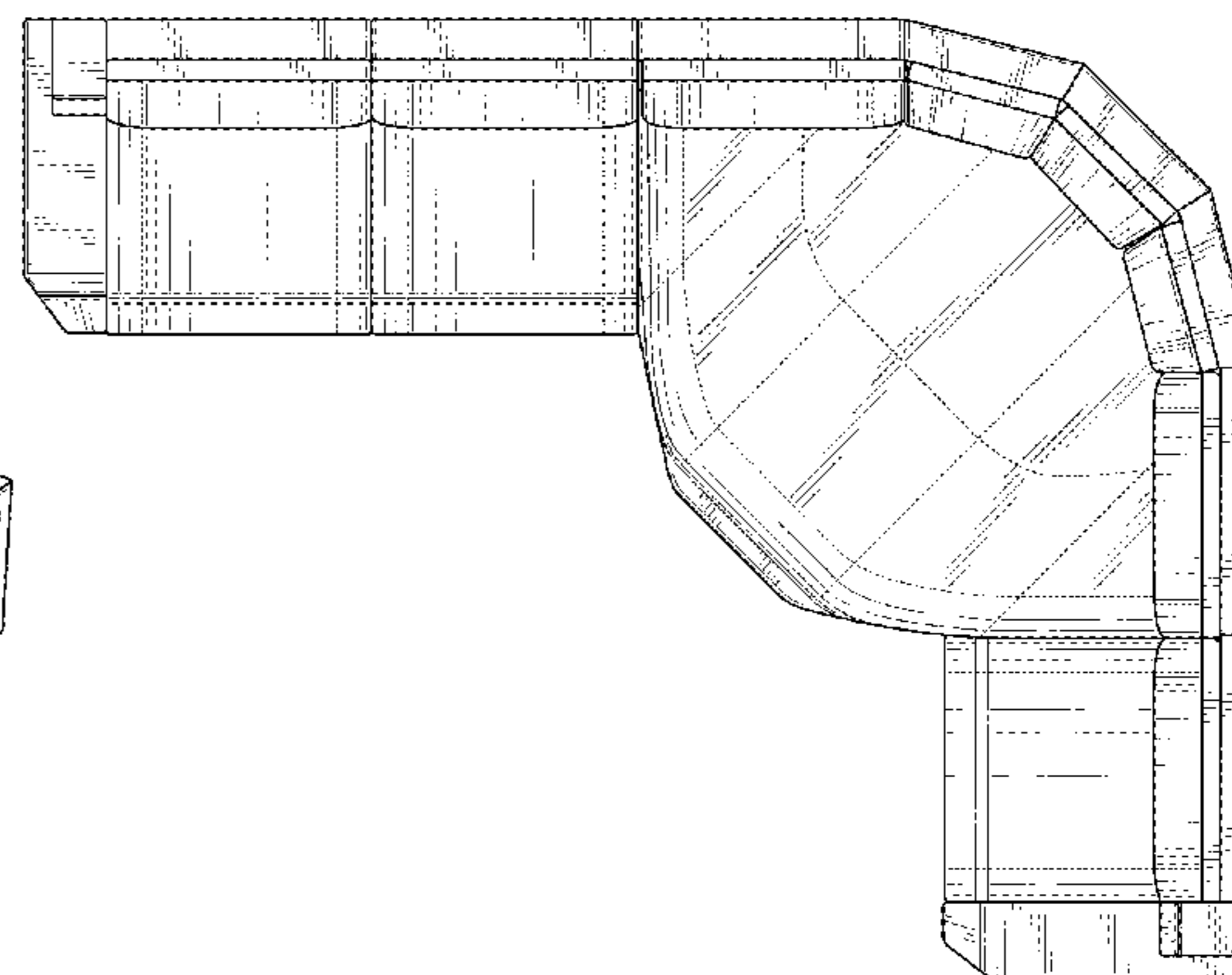
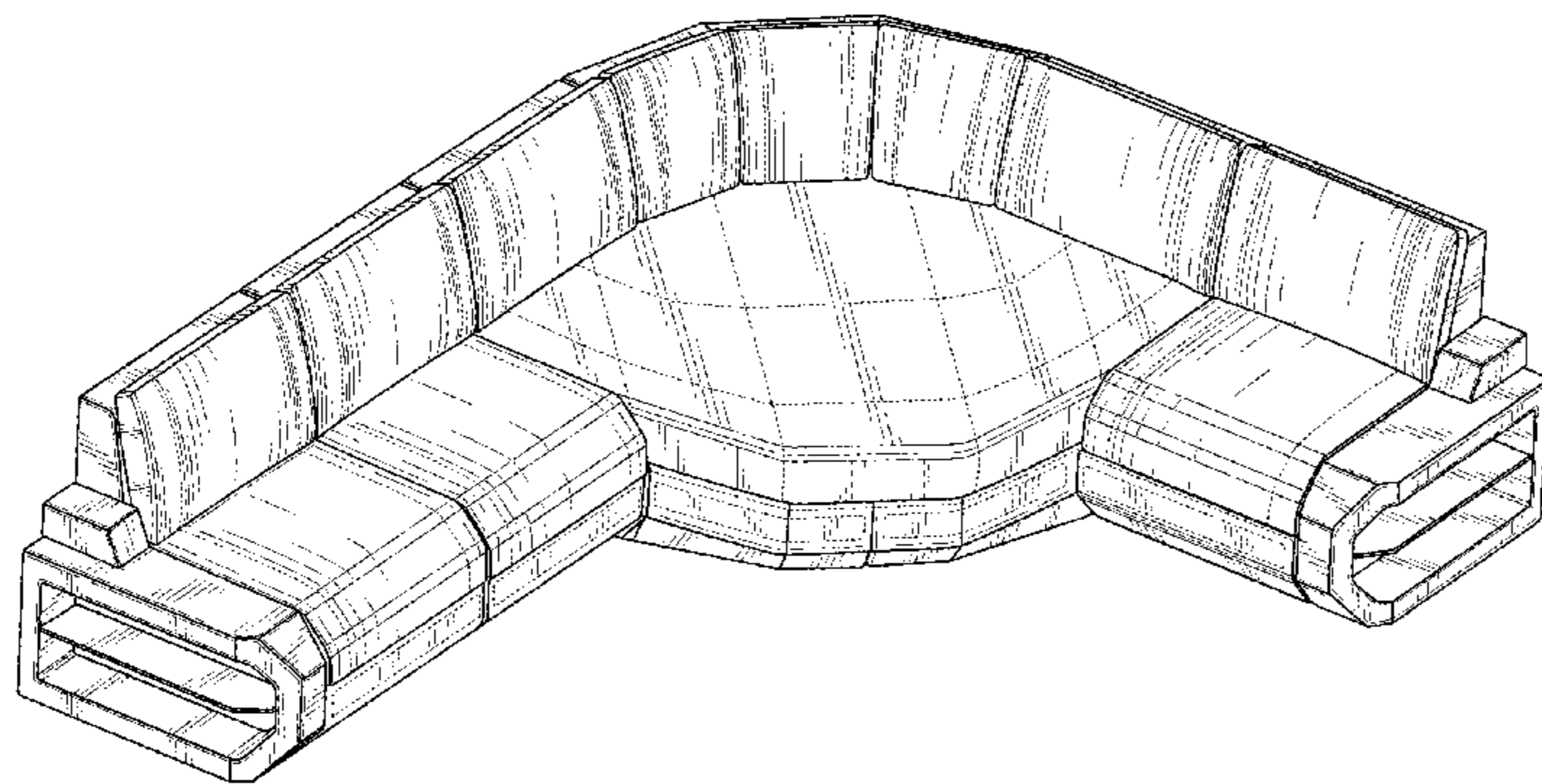
FIG. 8 is a right elevational view thereof;

FIG. 9 is a perspective cross-sectional view taken along line 9-9 in FIG. 7; and,

FIG. 10 is a perspective cross-sectional view taken along line 10-10 in FIG. 3.

The broken lines in the drawings depict stitching and form a part of the claimed design.

1 Claim, 10 Drawing Sheets



(56)

References Cited

OTHER PUBLICATIONS

Leather sectional corner sofa Bel Air Mini LED, available in [sofadreams.com](https://www.sofadreams.com), site visited Aug. 8, 2022, URL:<https://www.sofadreams.com/leather-sectional-sofas/leather-sectional-sofa-bel-air-mini.html> (Year: 2022).*

* cited by examiner

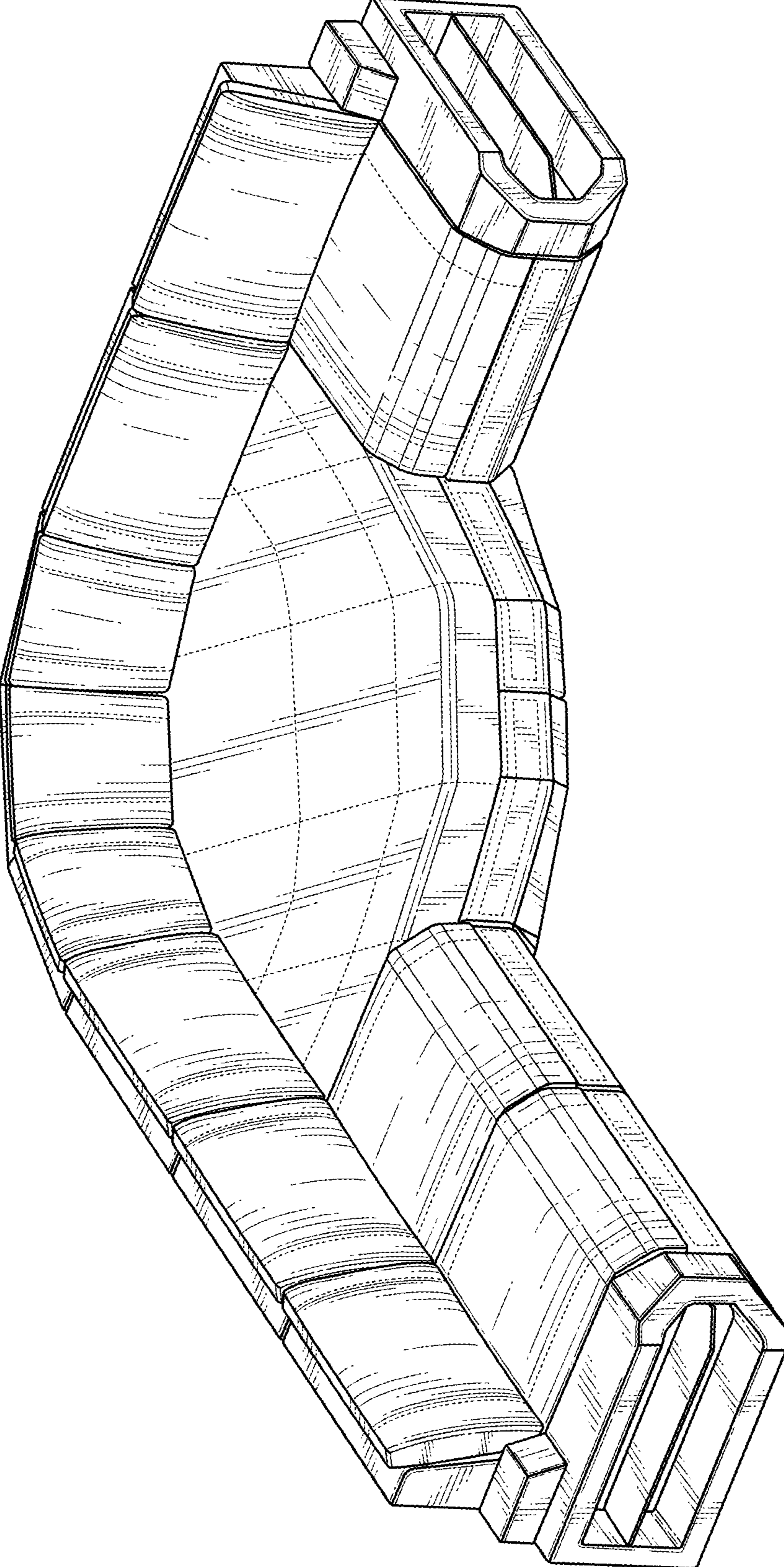


FIG. 1

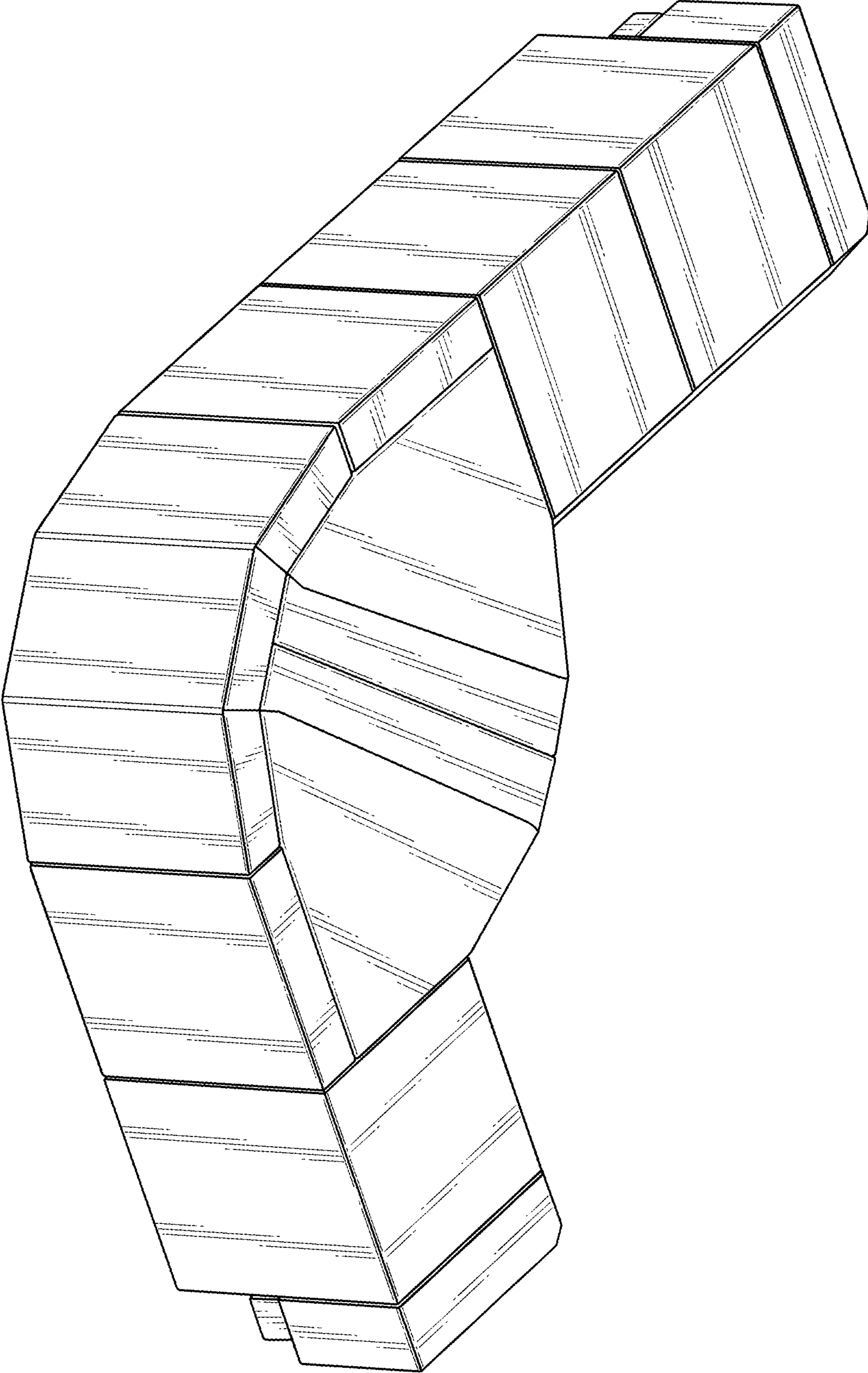


FIG. 2

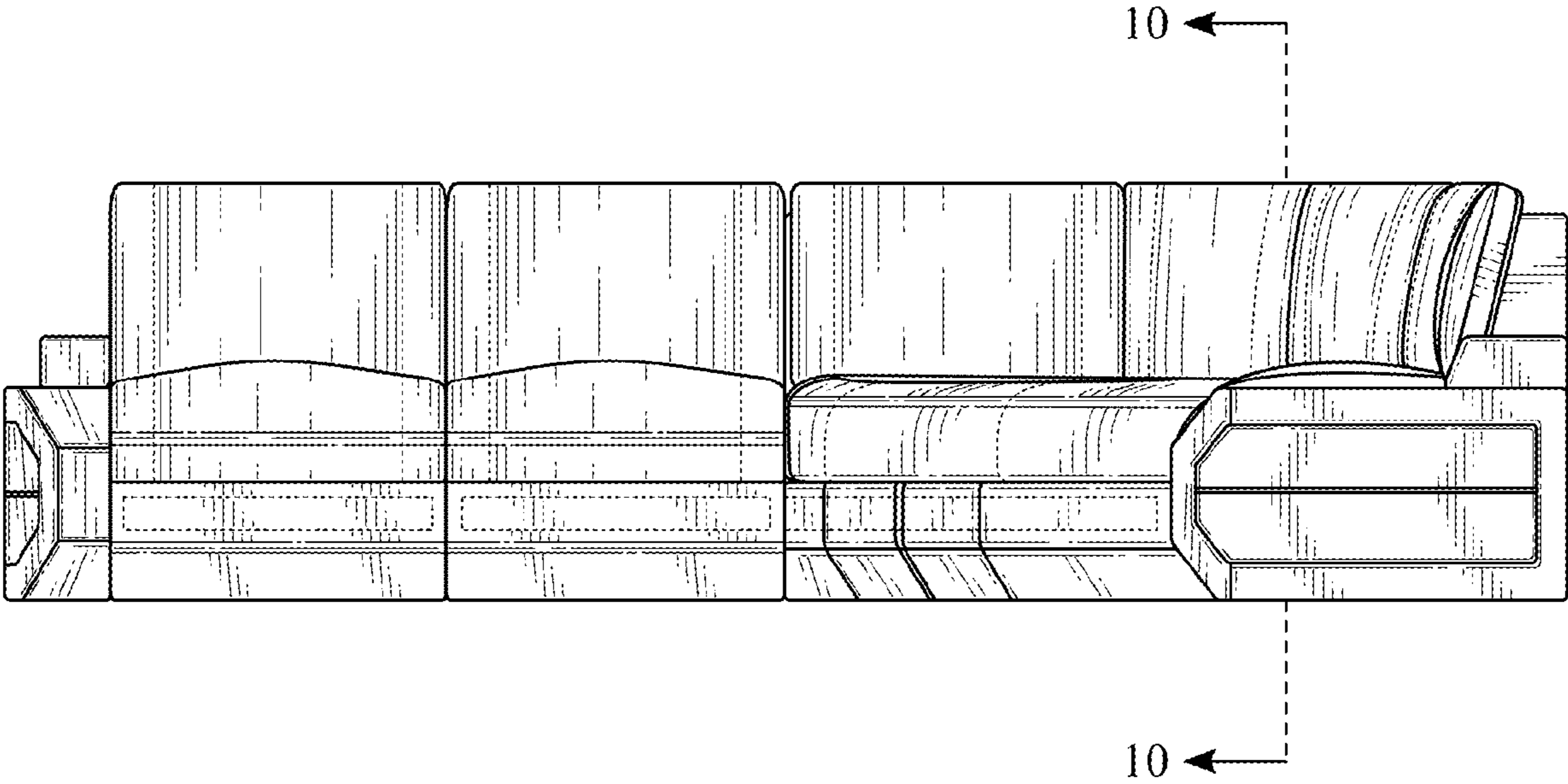


FIG. 3

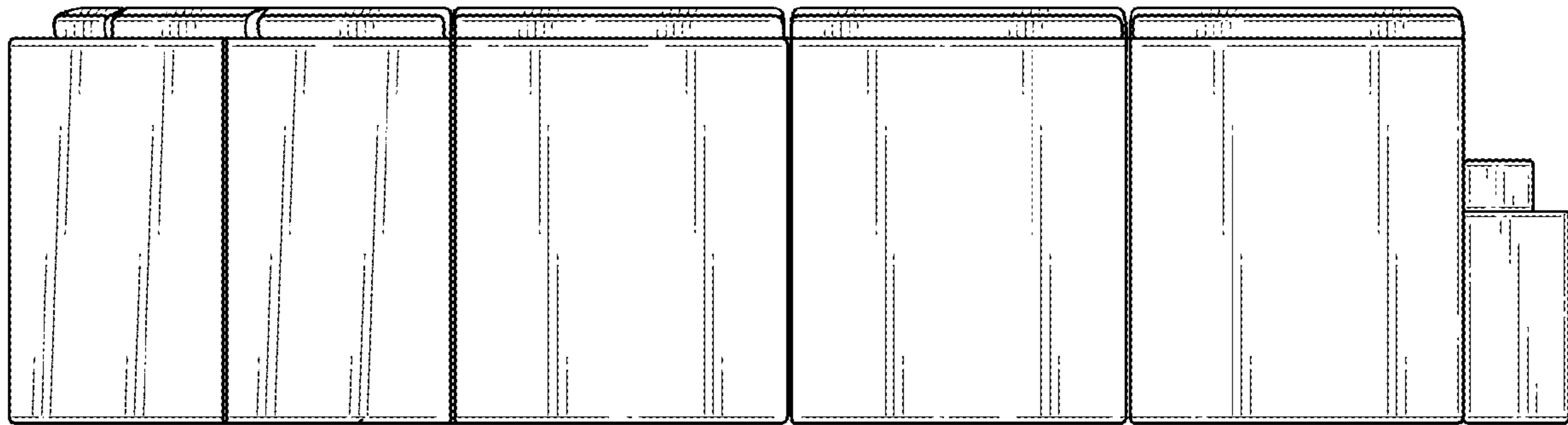


FIG. 4

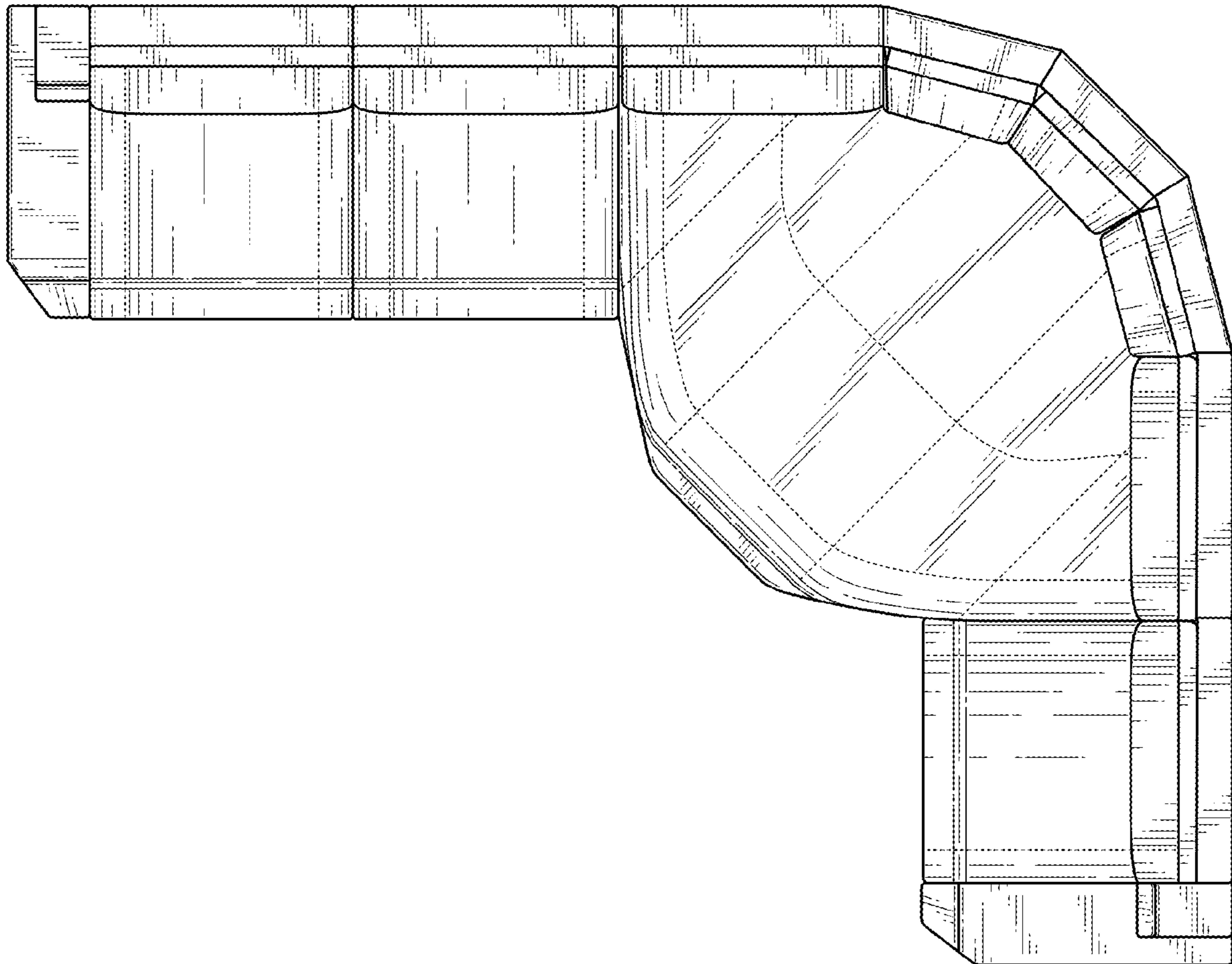


FIG. 5

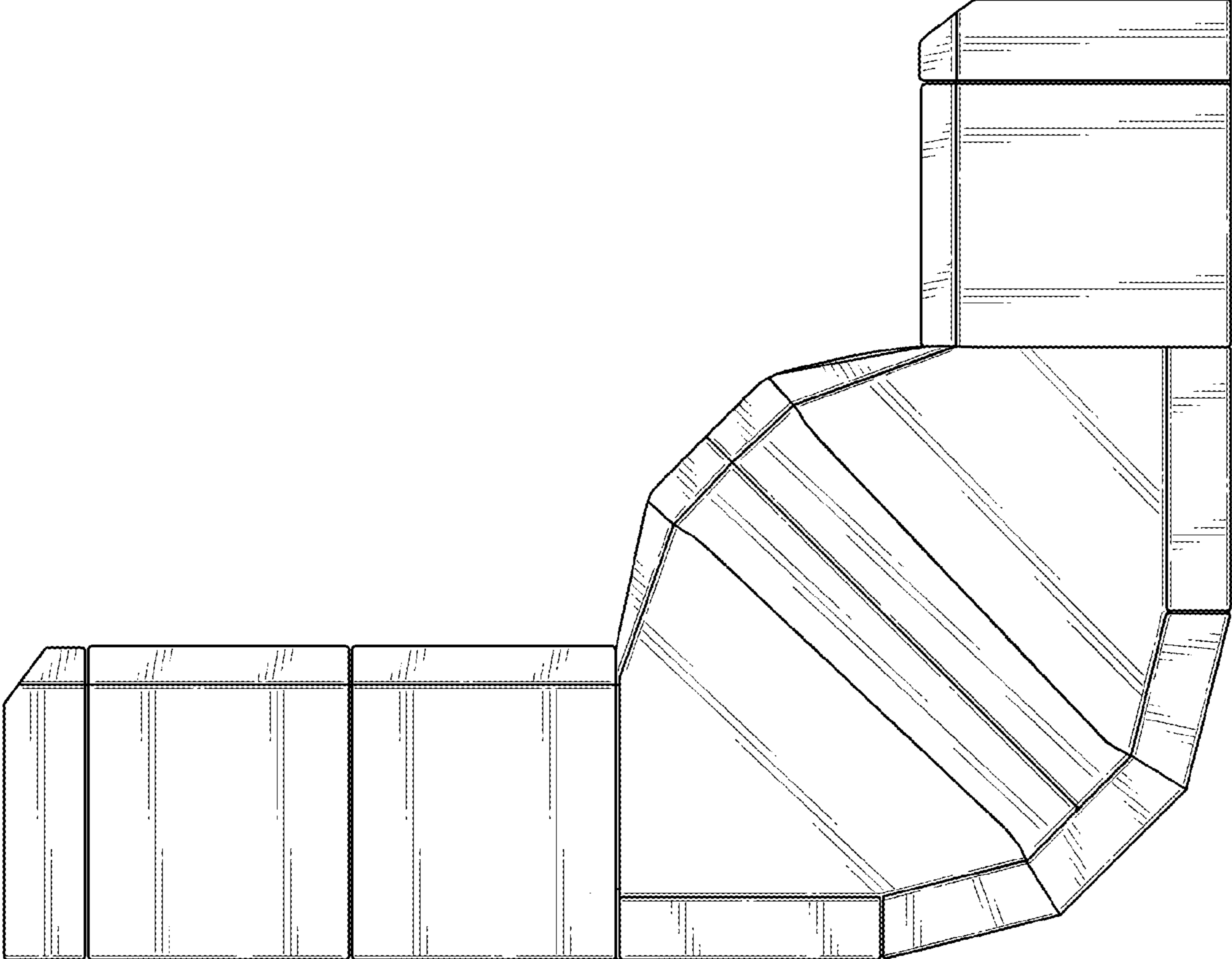


FIG. 6

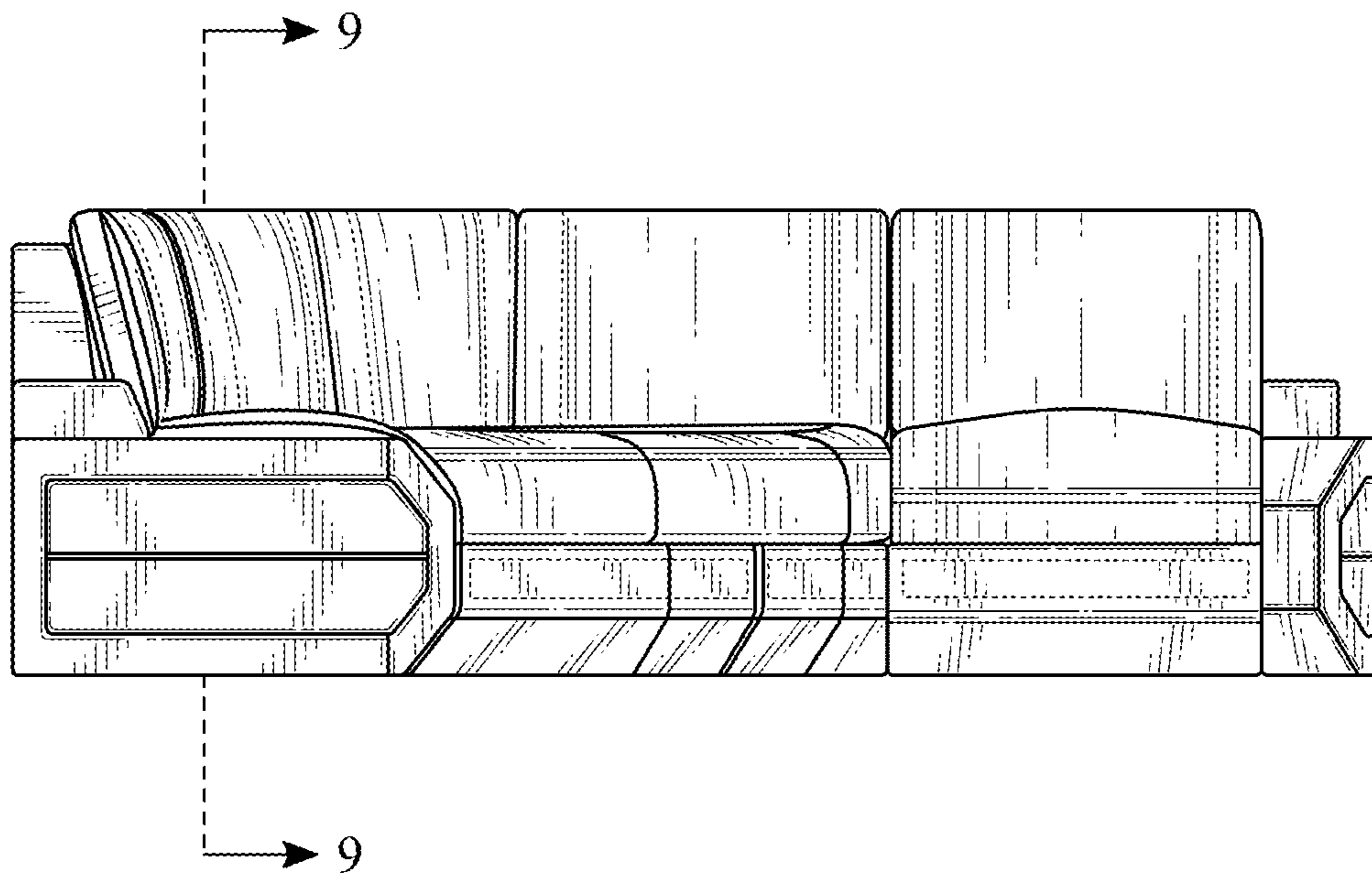


FIG. 7

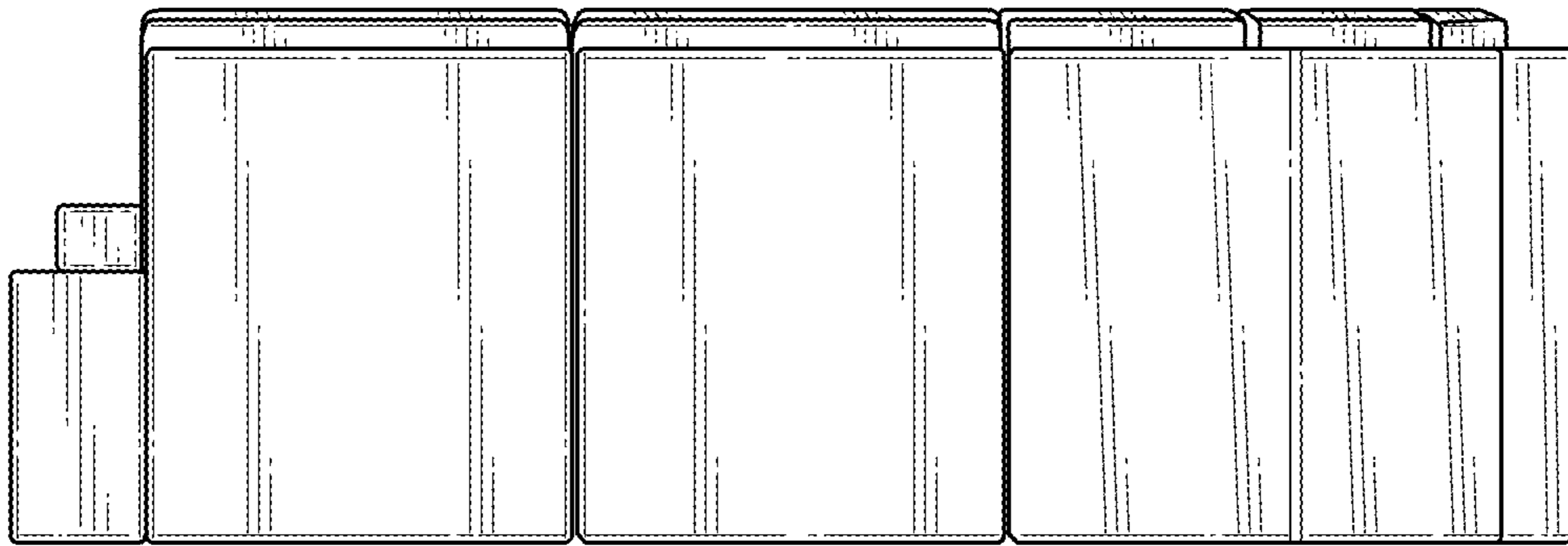


FIG. 8

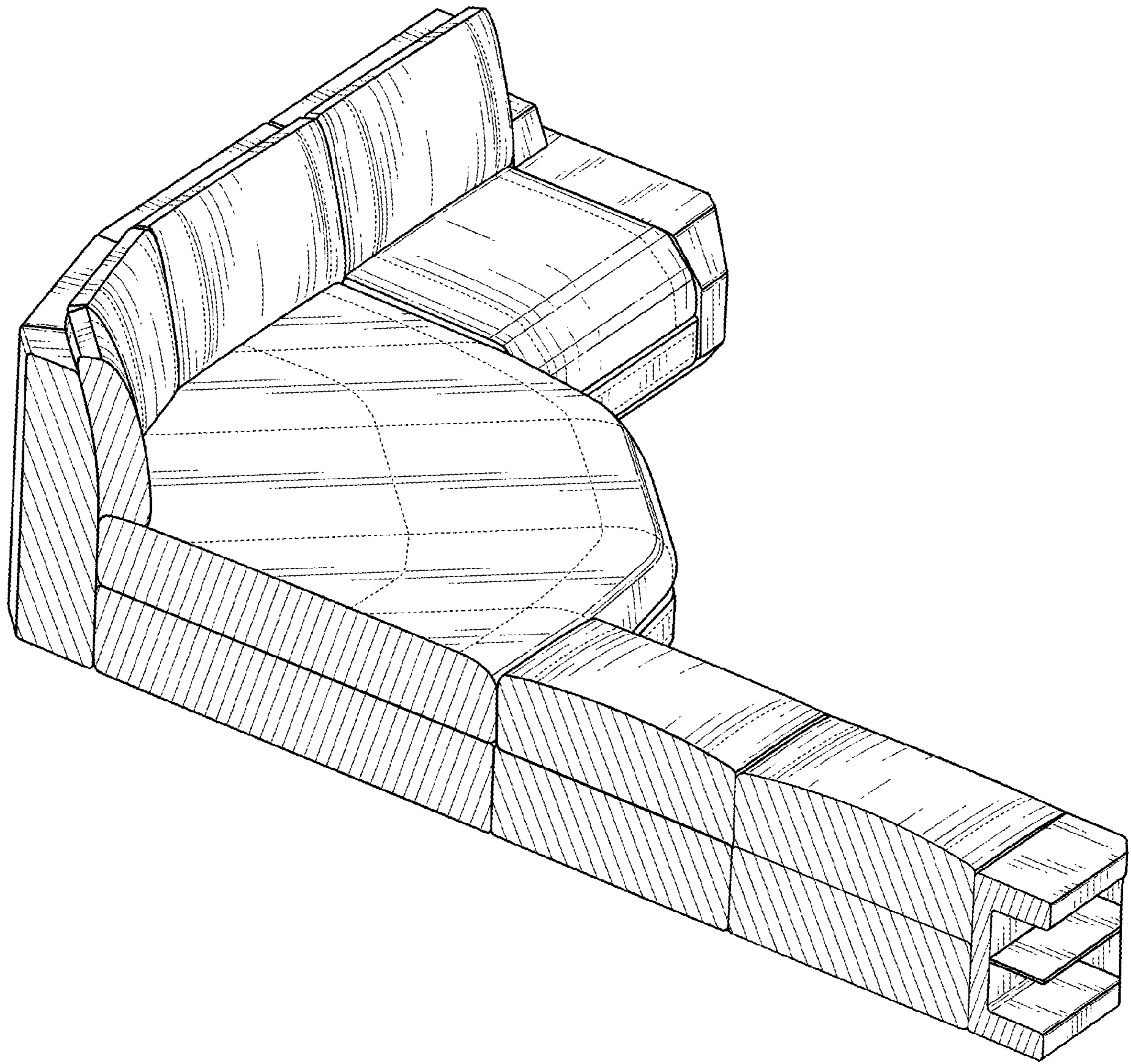


FIG. 9

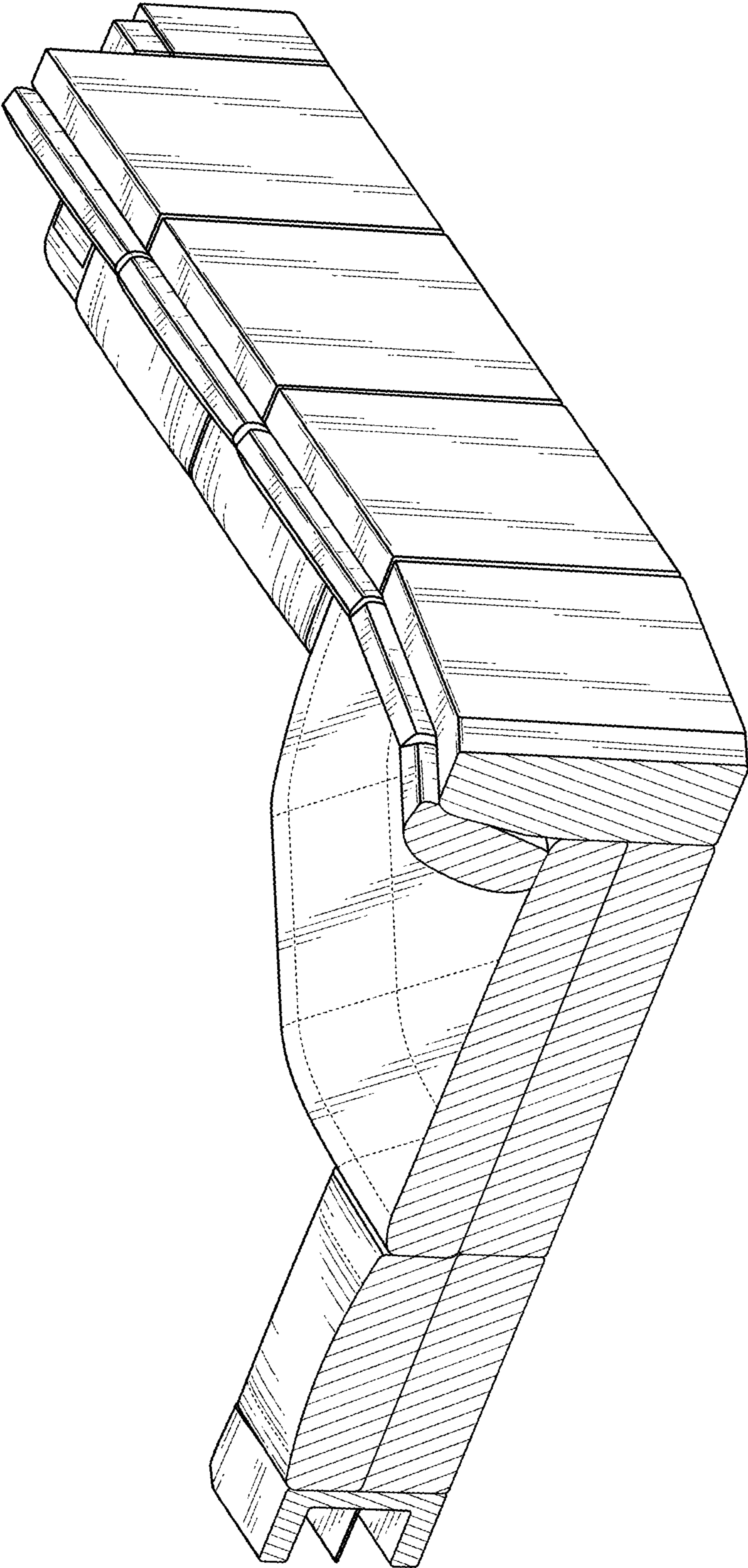


FIG. 10