



US00D976010S

(12) **United States Design Patent** (10) **Patent No.:** **US D976,010 S**
Jungnickel et al. (45) **Date of Patent:** **** Jan. 24, 2023**

(54) **TOOTHBRUSH HEAD**
(71) Applicant: **The Gillette Company LLC**, Boston, MA (US)
(72) Inventors: **Uwe Jungnickel**, Königstein (DE); **Dominik Langhammer**, Frankfurt (DE)
(73) Assignee: **The Gillette Company LLC**, Boston, MA (US)

D759,383 S * 6/2016 Watkins D4/101
D887,145 S * 6/2020 Hu D4/101
D901,183 S 11/2020 Jungnickel et al.
D919,301 S * 5/2021 Zhao D4/101
D930,990 S 9/2021 Hallein et al.
D931,617 S 9/2021 Hallein et al.
D931,619 S 9/2021 Hallein et al.
D935,187 S * 11/2021 Hu D4/101

(Continued)

(**) Term: **15 Years**
(21) Appl. No.: **29/841,827**
(22) Filed: **Jun. 8, 2022**

FOREIGN PATENT DOCUMENTS

CN 1229341 A 9/1999
CN 1241123 A 1/2000

(Continued)

OTHER PUBLICATIONS

All Office Actions; U.S. Appl. No. 29/646,252, filed May 2, 2018.
(Continued)

Related U.S. Application Data

(62) Division of application No. 29/762,793, filed on Dec. 18, 2020, now Pat. No. Des. 957,135.

Foreign Application Priority Data

Jul. 2, 2020 (WO) WIPO96064
(51) **LOC (14) Cl.** **04-02**
(52) **U.S. Cl.**
USPC **D4/110**

(58) **Field of Classification Search**
USPC D4/100-113; D24/176, 181, 152
CPC A46B 2200/1066; A46B 2200/1073; A46B 2200/1086; A46B 2200/3093; A46B 9/04; A46B 13/023; A46B 5/0095; A61C 15/00; A61C 17/16; A61C 17/222
See application file for complete search history.

References Cited

U.S. PATENT DOCUMENTS

D657,565 S * 4/2012 Gebski D4/101
D747,609 S * 1/2016 Watkins D4/101
D759,380 S * 6/2016 Watkins D4/101

Primary Examiner — Cynthia Ramirez
Assistant Examiner — Tamara L Hahn
(74) *Attorney, Agent, or Firm* — Vladimir Vitenberg

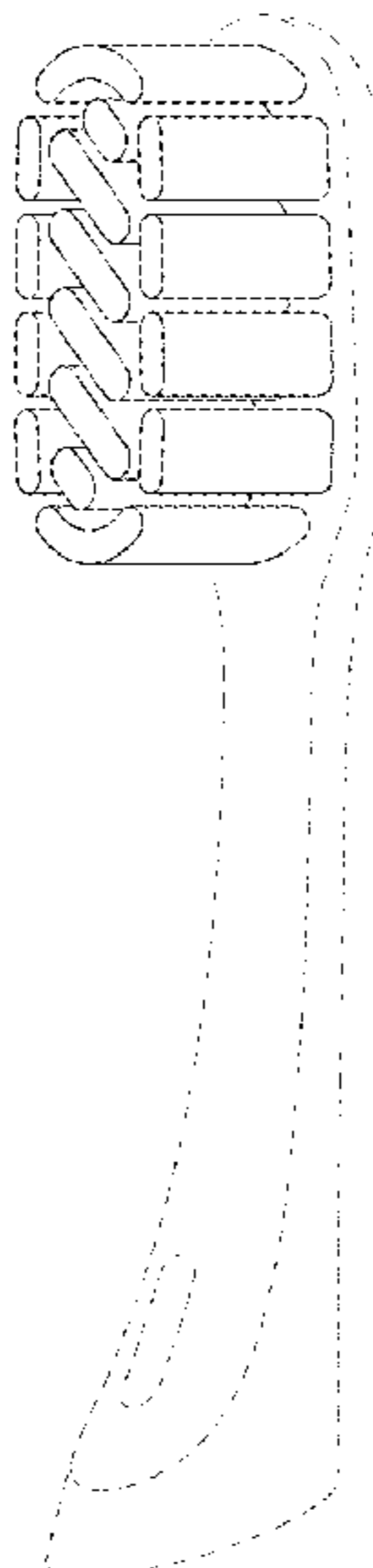
(57) **CLAIM**

The ornamental design for a toothbrush head, as shown and described.

DESCRIPTION

FIG. 1 is a perspective view of an embodiment of a toothbrush head;
FIG. 2 is a front view thereof;
FIG. 3 is a left-side view thereof;
FIG. 4 is a rear view thereof;
FIG. 5 is a right-side view thereof;
FIG. 6 is a top view thereof; and,
FIG. 7 is a bottom view thereof.
Broken lines in the drawings depict portions of a toothbrush head that form no part of the claimed design.

1 Claim, 2 Drawing Sheets



(56)

References Cited

U.S. PATENT DOCUMENTS

D936,484	S	11/2021	Hallein et al.	
D951,651	S *	5/2022	Veronneau	D4/104
D957,135	S *	7/2022	Jungnickel	D4/110
D957,822	S *	7/2022	Jungnickel	D4/101
D959,841	S *	8/2022	Langhammer	D4/101
D960,583	S *	8/2022	Hallein	D4/110
2005/0268414	A1	12/2005	Kim	
2019/0200742	A1	7/2019	Jungnickel	
2019/0200743	A1	7/2019	Jungnickel	
2019/0200748	A1	7/2019	Görich et al.	
2020/0077778	A1	3/2020	Jungnickel	

FOREIGN PATENT DOCUMENTS

CN	202269590	U	6/2012
CN	302898215	S	8/2014
DE	3241118	A1	8/1984
EM	0024534720002		8/2014
EM	003175470-0002		7/2016
EM	004362952-0001		9/2017
JP	1232984	S	3/2005
JP	1620904	S	12/2018
RU	93878	S	5/2010
RU	77426	S	2/2011
RU	89542	S	8/2014
TR	0996950002		3/2019
TW	215726-0001	*	12/2021
WO	DM093043		6/2017

OTHER PUBLICATIONS

All Office Actions; U.S. Appl. No. 29/659,068, filed Aug. 6, 2018.
 All Office Actions; U.S. Appl. No. 29/659,078, filed Aug. 6, 2018.

All Office Actions; U.S. Appl. No. 29/681,302, filed Feb. 25, 2019.
 All Office Actions; U.S. Appl. No. 29/695,301, filed Jun. 18, 2019.
 All Office Actions; U.S. Appl. No. 29/699,695, filed Jul. 29, 2019.
 All Office Actions; U.S. Appl. No. 29/704,079, filed Aug. 30, 2019.
 All Office Actions; U.S. Appl. No. 29/743,560, filed Jul. 22, 2020.
 All Office Actions; U.S. Appl. No. 29/746,709, filed Aug. 17, 2020.
 All Office Actions; U.S. Appl. No. 29/746,718, filed Aug. 17, 2020.
 All Office Actions; U.S. Appl. No. 29/752,903, filed Sep. 29, 2020.
 All Office Actions; U.S. Appl. No. 29/752,912, filed Sep. 29, 2020.
 All Office Actions; U.S. Appl. No. 29/755,910, filed Oct. 23, 2020.
 All Office Actions; U.S. Appl. No. 29/757,497, filed Nov. 6, 2020.
 All Office Actions; U.S. Appl. No. 29/757,499, filed Nov. 6, 2020.
 All Office Actions; U.S. Appl. No. 29/758,249, filed Nov. 13, 2020.
 All Office Actions; U.S. Appl. No. 29/758,251, filed Nov. 13, 2020.
 All Office Actions; U.S. Appl. No. 29/758,268, filed Nov. 13, 2018.
 All Office Actions; U.S. Appl. No. 29/758,274, filed Nov. 13, 2020.
 All Office Actions; U.S. Appl. No. 29/758,276, filed Nov. 13, 2020.
 All Office Actions; U.S. Appl. No. 29/761,083, filed Dec. 7, 2020.
 All Office Actions; U.S. Appl. No. 29/761,085, filed Dec. 7, 2020.
 All Office Actions; U.S. Appl. No. 29/761,086, filed Dec. 7, 2020.
 All Office Actions; U.S. Appl. No. 29/761,090, filed Dec. 7, 2020.
 All Office Actions; U.S. Appl. No. 29/762,793, filed Dec. 18, 2020.
 All Office Actions; U.S. Appl. No. 29/782,323, filed May 6, 2021.
 All Office Actions; U.S. Appl. No. 29/786,732, filed Jun. 2, 2021.
 All Office Actions; U.S. Appl. No. 29/786,746, filed Jun. 2, 2021.
 All Office Actions; U.S. Appl. No. 29/787,707, filed Jun. 8, 2021.
 All Office Actions; U.S. Appl. No. 29/787,712, filed Jun. 8, 2021.
 All Office Actions; U.S. Appl. No. 29/794,152, filed Jun. 10, 2018.
 All Office Actions; U.S. Appl. No. 29/814,060, filed Nov. 3, 2021.
 All Office Actions; U.S. Appl. No. 29/814,616, filed Nov. 8, 2021.
 All Office Actions; U.S. Appl. No. 29/819,318, filed Dec. 14, 2021.
 All Office Actions; U.S. Appl. No. 29/836,682, filed Apr. 28, 2022.
 All Office Actions; U.S. Appl. No. 29/836,827, filed Apr. 29, 2022.

* cited by examiner

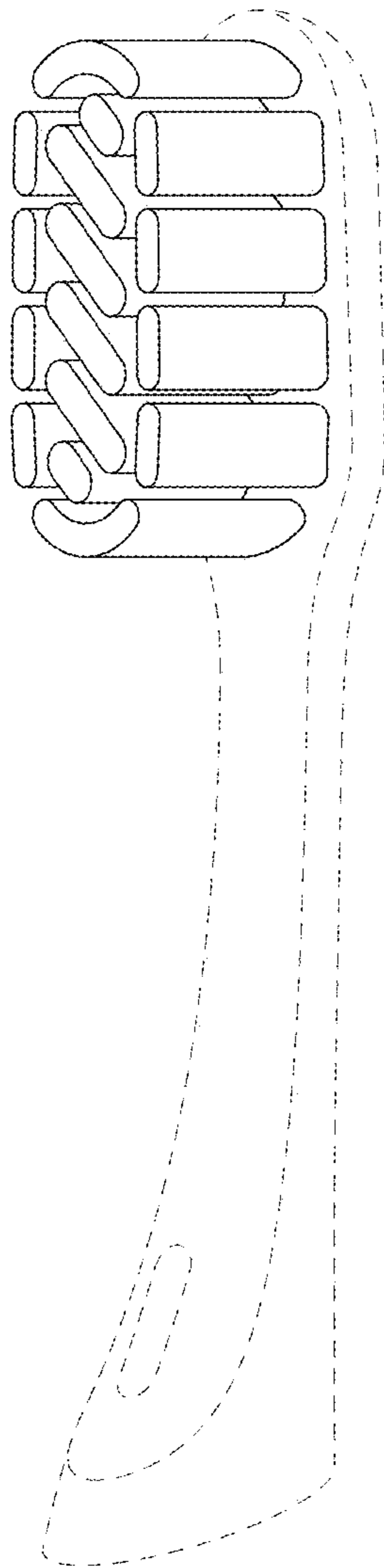


FIG. 1

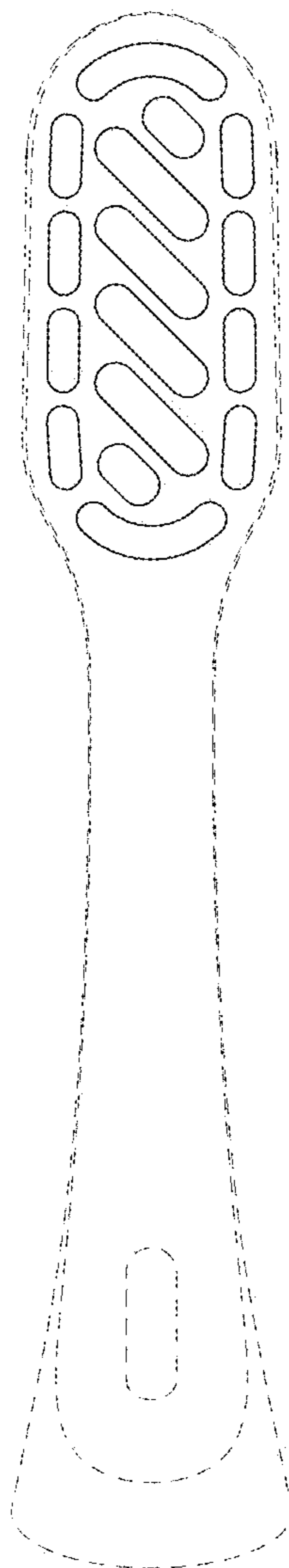


FIG. 2

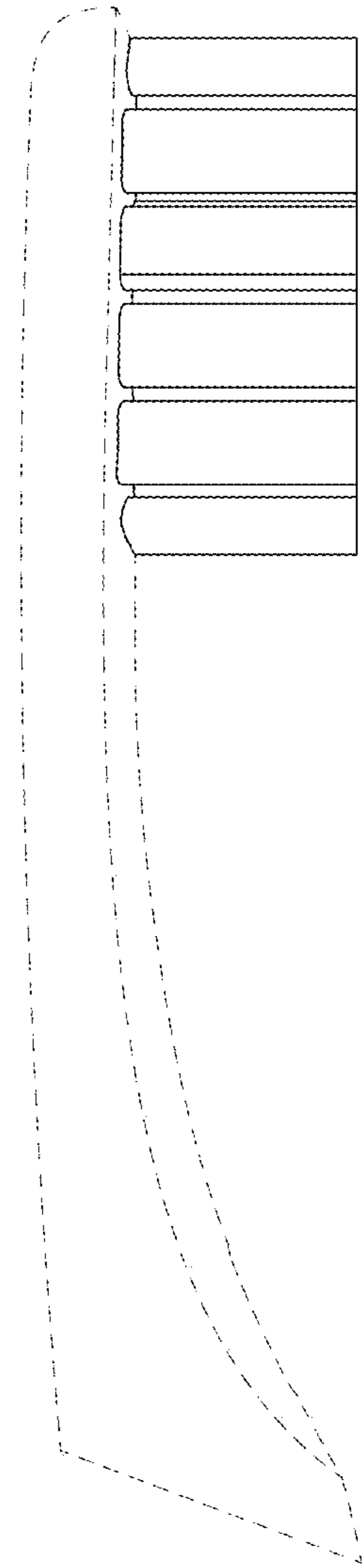


FIG. 3

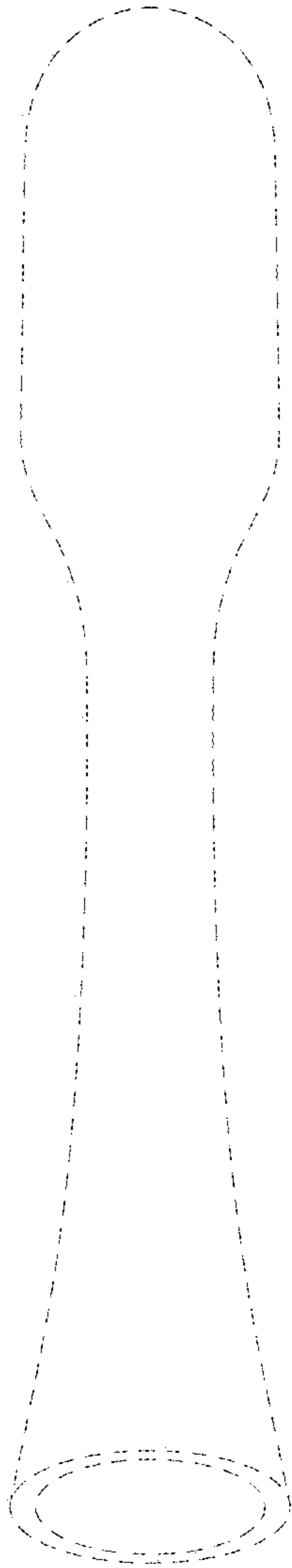


FIG. 4

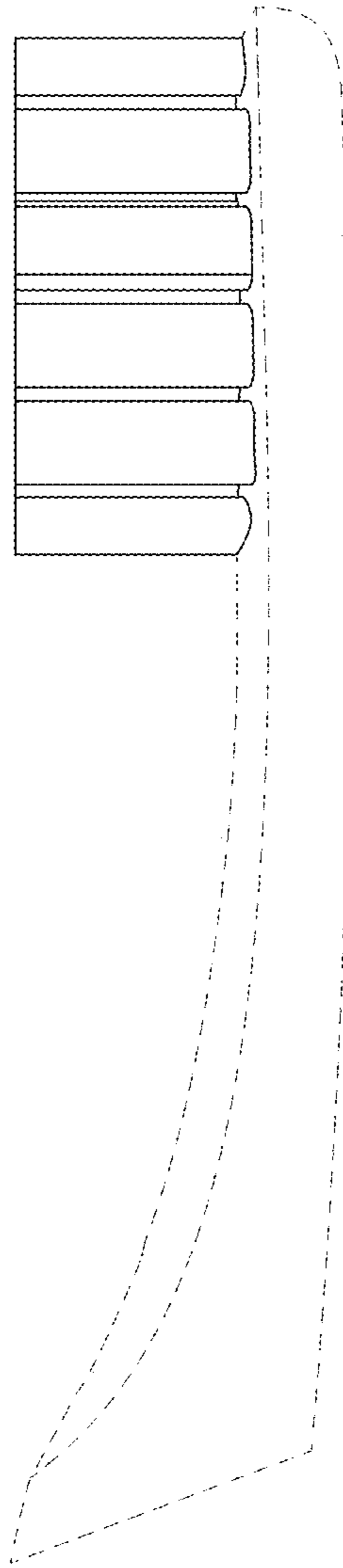


FIG. 5

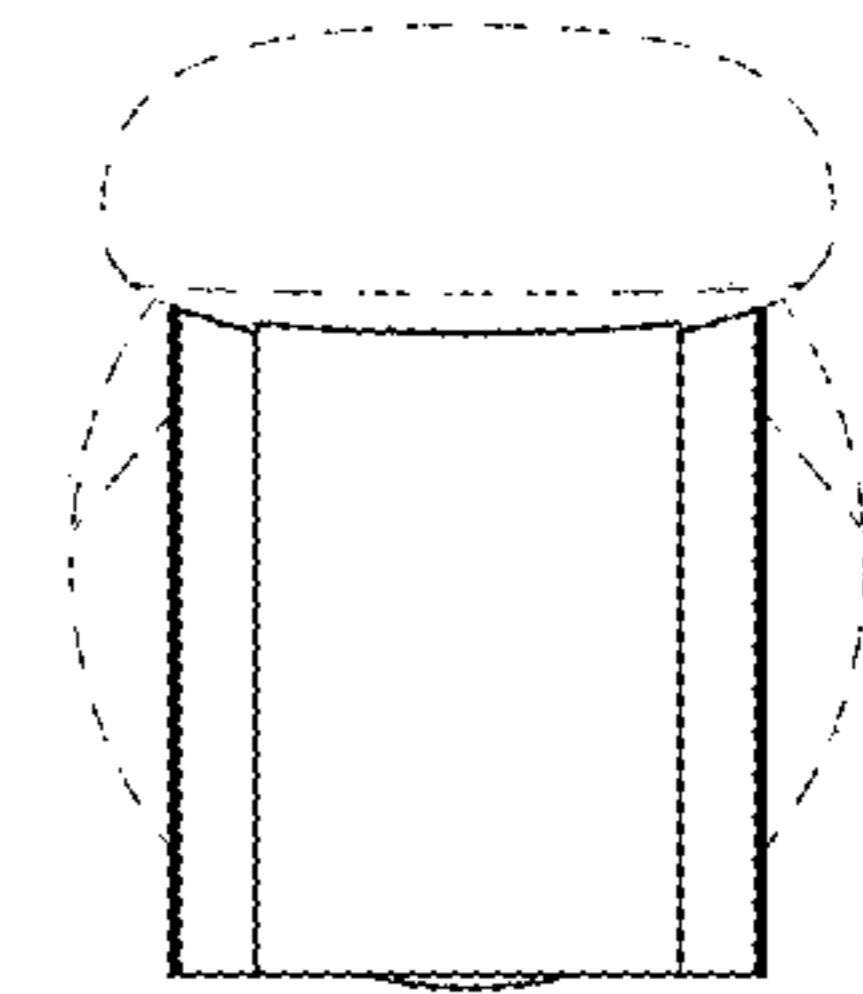


FIG. 6

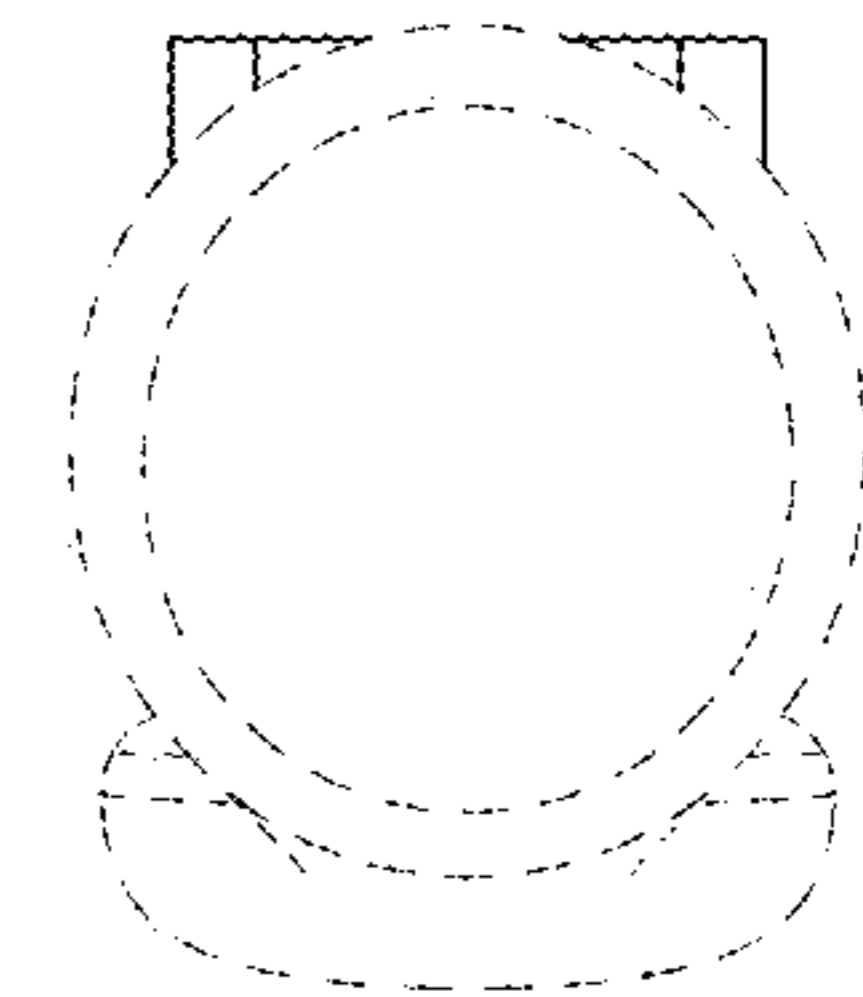


FIG. 7