



US00D976009S

(12) **United States Design Patent**
Gan

(10) **Patent No.:** **US D976,009 S**
(45) **Date of Patent:** **** Jan. 24, 2023**

(54) **TOOTHBRUSH**

FOREIGN PATENT DOCUMENTS

(71) Applicant: **Sunwei Gan**, Yangzhou (CN)

KR 301002704.0000 * 4/2019

(72) Inventor: **Sunwei Gan**, Yangzhou (CN)

OTHER PUBLICATIONS

(**) Term: **15 Years**

DR.PEFECT Extra Hard & Firm Toothbrush, posted Sep. 17, 2020 [online], [retrieved Sep. 13, 2022]. Retrieved from internet, <https://www.amazon.com/DR-PEFECT-Extra-Toothbrush-Whitening-Teeth/dp/B08G4W2Y5R/> (Year: 2020).*

(21) Appl. No.: **29/777,003**

(22) Filed: **Apr. 1, 2021**

(Continued)

(51) **LOC (14) Cl.** **04-02**

(52) **U.S. Cl.**
USPC **D4/104**

(58) **Field of Classification Search**
USPC D4/104, 110, 112, 130, 132, 134, 199
CPC A46B 2200/00; A46B 2200/10; A46B 2200/1066; A46B 5/00; A46B 5/0062; A46B 5/021; A46B 5/026; A46B 7/00; A46B 7/06; A46B 9/00; A46B 9/02; A46B 9/026; A46B 9/04; A46B 9/045; A46B 3/00; A46B 3/005; A61C 17/00; G09B 19/0084

See application file for complete search history.

Primary Examiner — Alison M Ofstun
Assistant Examiner — Evin Franklin George Ershock

(57) **CLAIM**

The ornamental design for a toothbrush, as shown and described.

DESCRIPTION

FIG. 1 is a perspective view of a toothbrush showing my new design;
FIG. 2 is another perspective view thereof;
FIG. 3 is a front elevational view thereof;
FIG. 4 is a rear elevational view thereof;
FIG. 5 is a left side elevational view thereof;
FIG. 6 is a right side elevational view thereof;
FIG. 7 is a top plan view thereof;
FIG. 8 is a bottom plan view thereof;
FIG. 9 is an enlarged view of portion 9 shown in FIG. 1;
FIG. 10 is an enlarged view of portion 10 shown in FIG. 2;
FIG. 11 is an enlarged top plan view of the toothbrush; and,
FIG. 12 is an enlarged bottom plan view of the toothbrush.
The dash-dot-dash lines are for the purpose of illustrating enlarged view indicators and form no part of the claimed design.

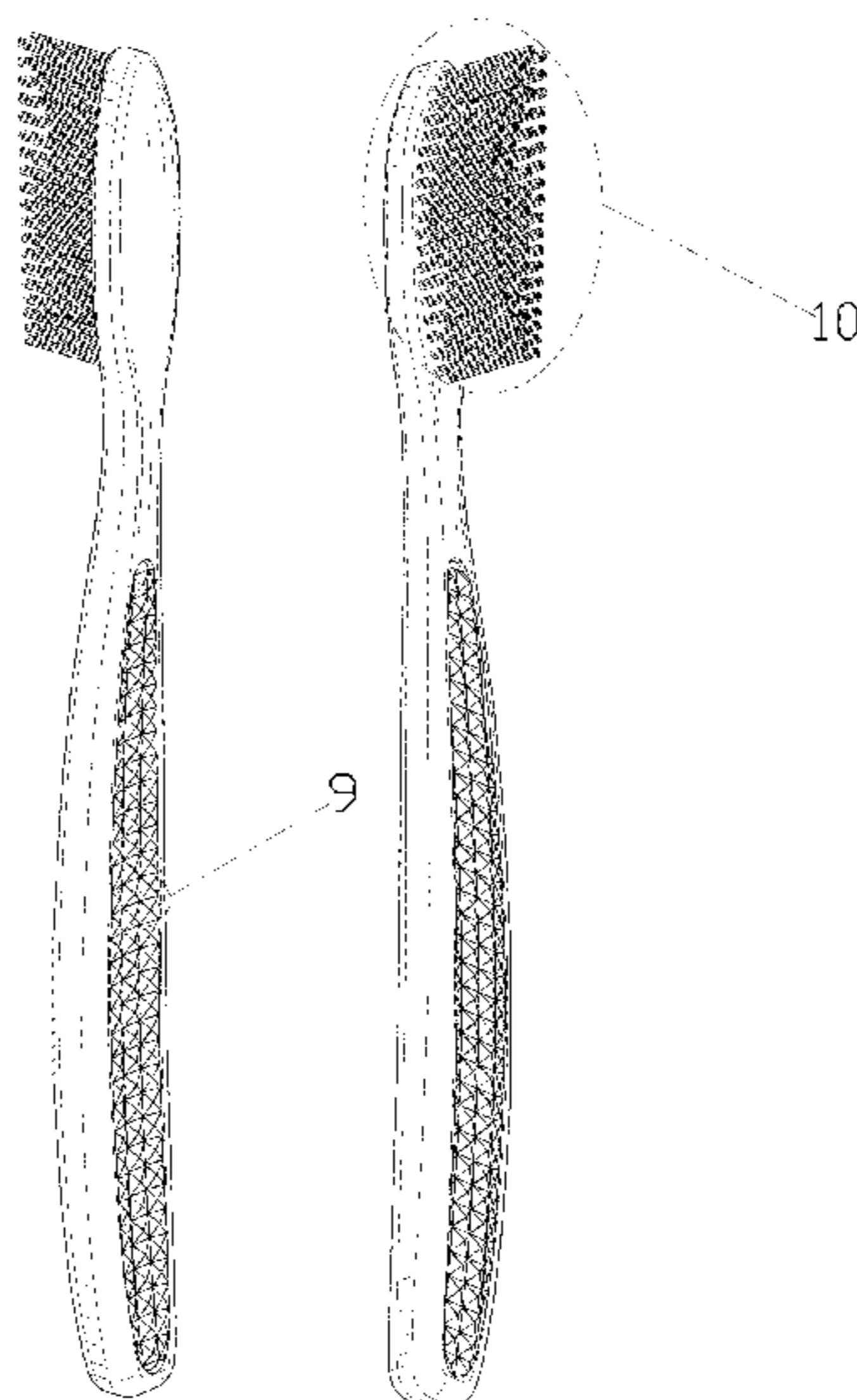
(56) **References Cited**

U.S. PATENT DOCUMENTS

D25,170 S *	2/1896	Hyman	A46B 9/04
				D4/104
D279,838 S *	7/1985	Hjelle	A46B 9/04
				D4/104
D466,302 S *	12/2002	Ping	A46B 3/005
				D4/104
D474,028 S *	5/2003	Ping	D4/104
D530,923 S *	10/2006	Kling	D4/104
D675,447 S *	2/2013	Xi	D4/138
D820,600 S *	6/2018	Suh	D4/134
D876,098 S *	2/2020	Gan	D4/104
D877,519 S *	3/2020	Xi	D4/110
D894,612 S *	9/2020	Zhang	D4/104
2012/0266401 A1 *	10/2012	Gruber	A46B 3/005
				15/210.1

(Continued)

1 Claim, 12 Drawing Sheets



(56)

References Cited

U.S. PATENT DOCUMENTS

2013/0198988 A1* 8/2013 Gruber A46B 9/04
15/167.1
2022/0125192 A1* 4/2022 Lee A46B 9/04

OTHER PUBLICATIONS

Super Hard Toothbrush Extra Hard Large Brush, posting date unknown [online], [retrieved Sep. 17, 2022]. Retrieved from internet, <https://www.aliexpress.com/item/3256803149609680.html> (Year: 2022).*

4 Pieces Super Hard Toothbrush Extra Hard Large Brush, posting date unknown [online], [retrieved Sep. 13, 2022]. Retrieved from internet, <https://www.aliexpress.com/item/3256801516657928.html> (Year: 2022).*

* cited by examiner

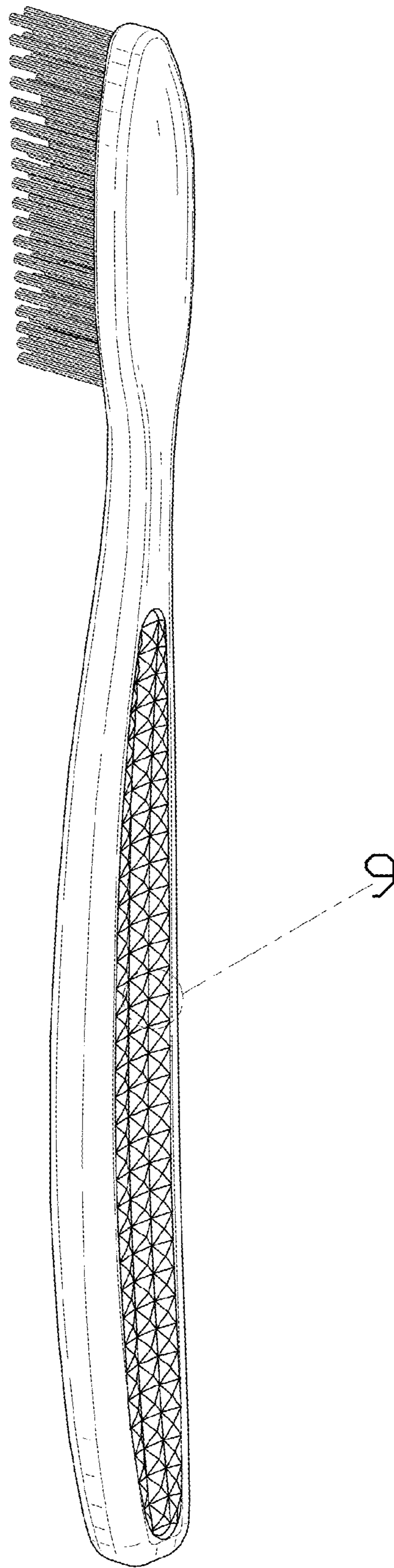


FIG. 1

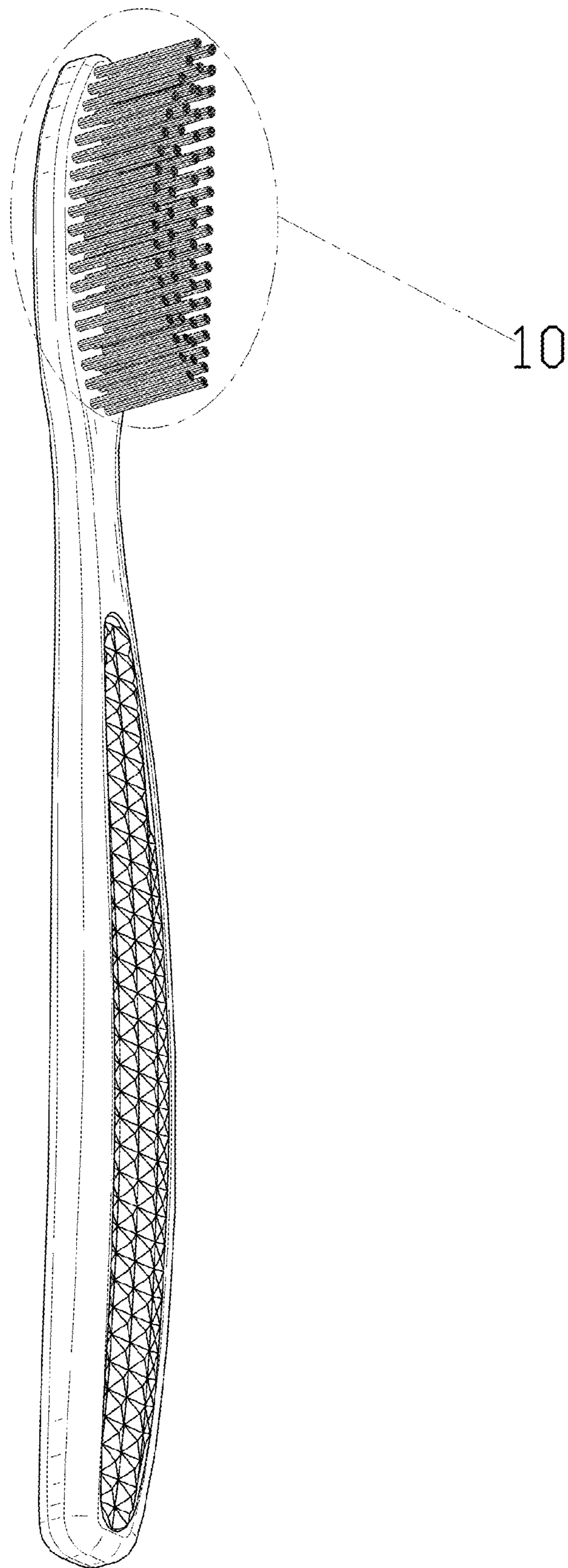


FIG. 2

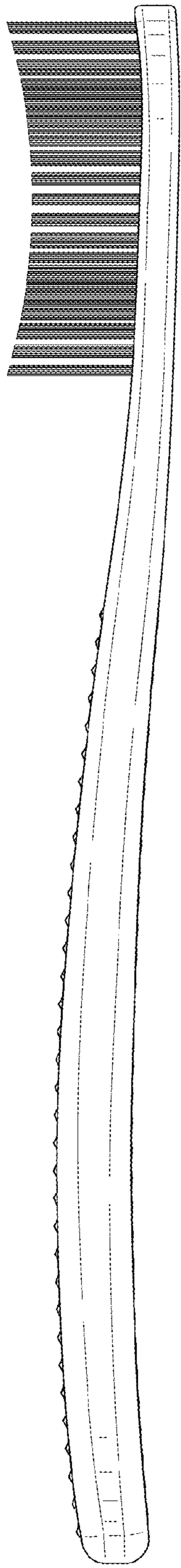


FIG. 3

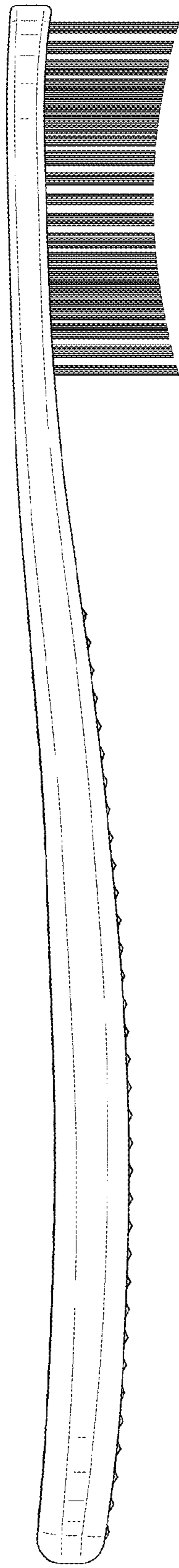


FIG. 4

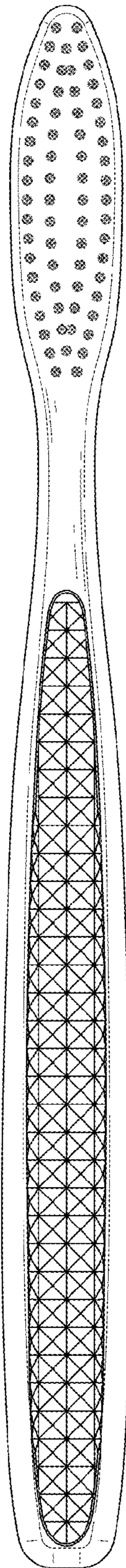


FIG. 5

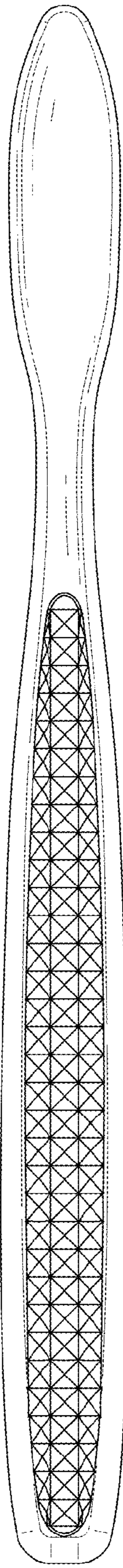


FIG. 6

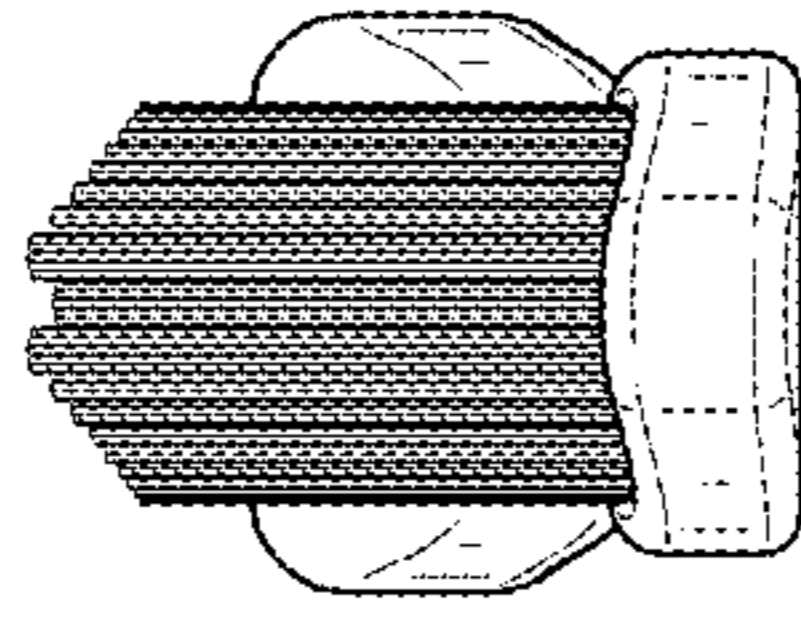


FIG. 7

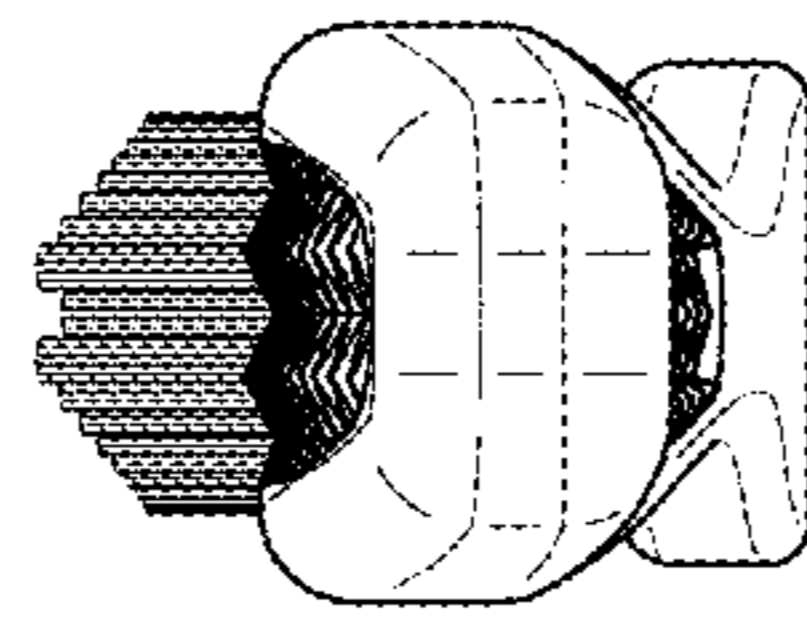


FIG. 8

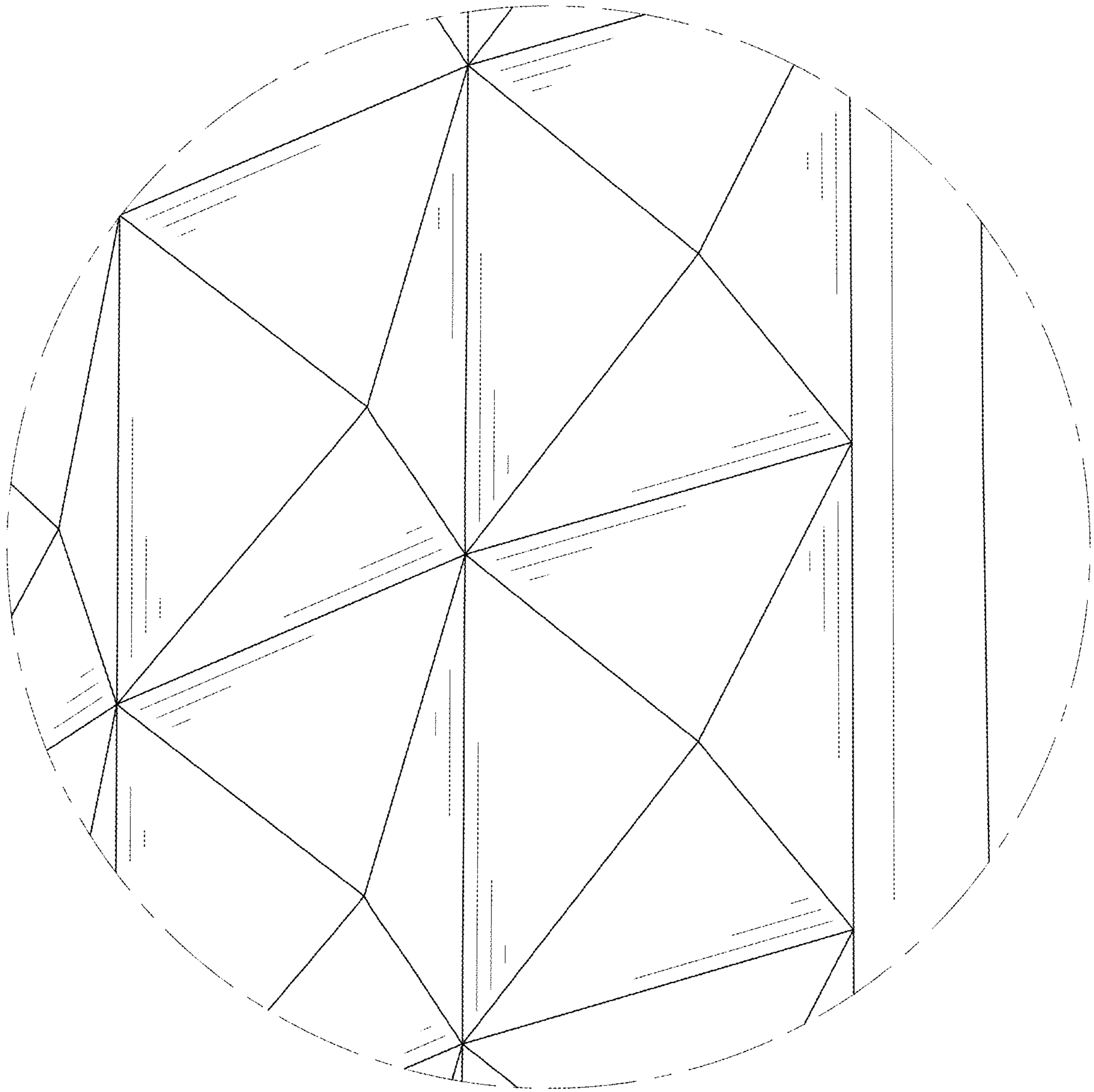


FIG. 9

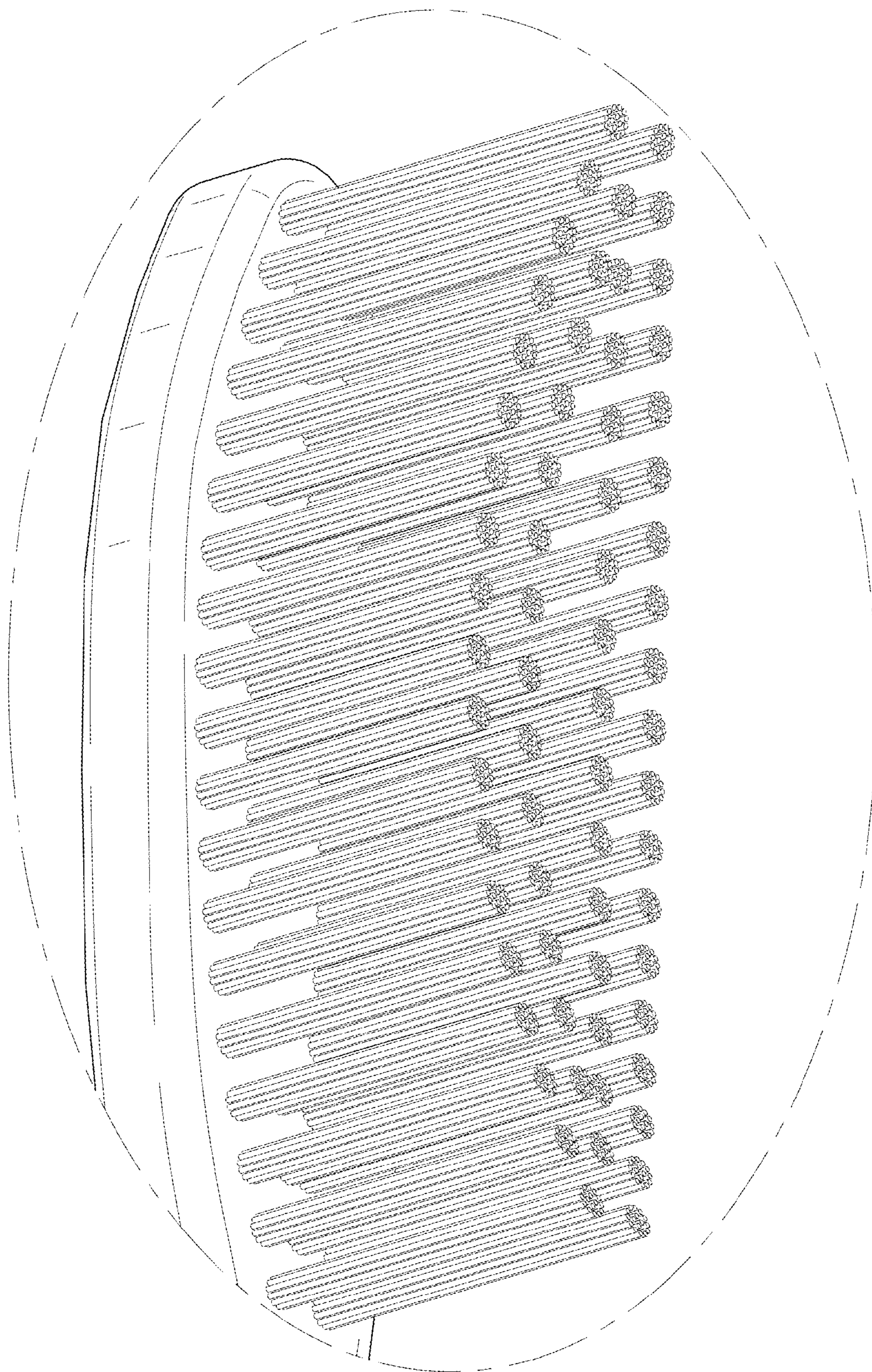


FIG. 10

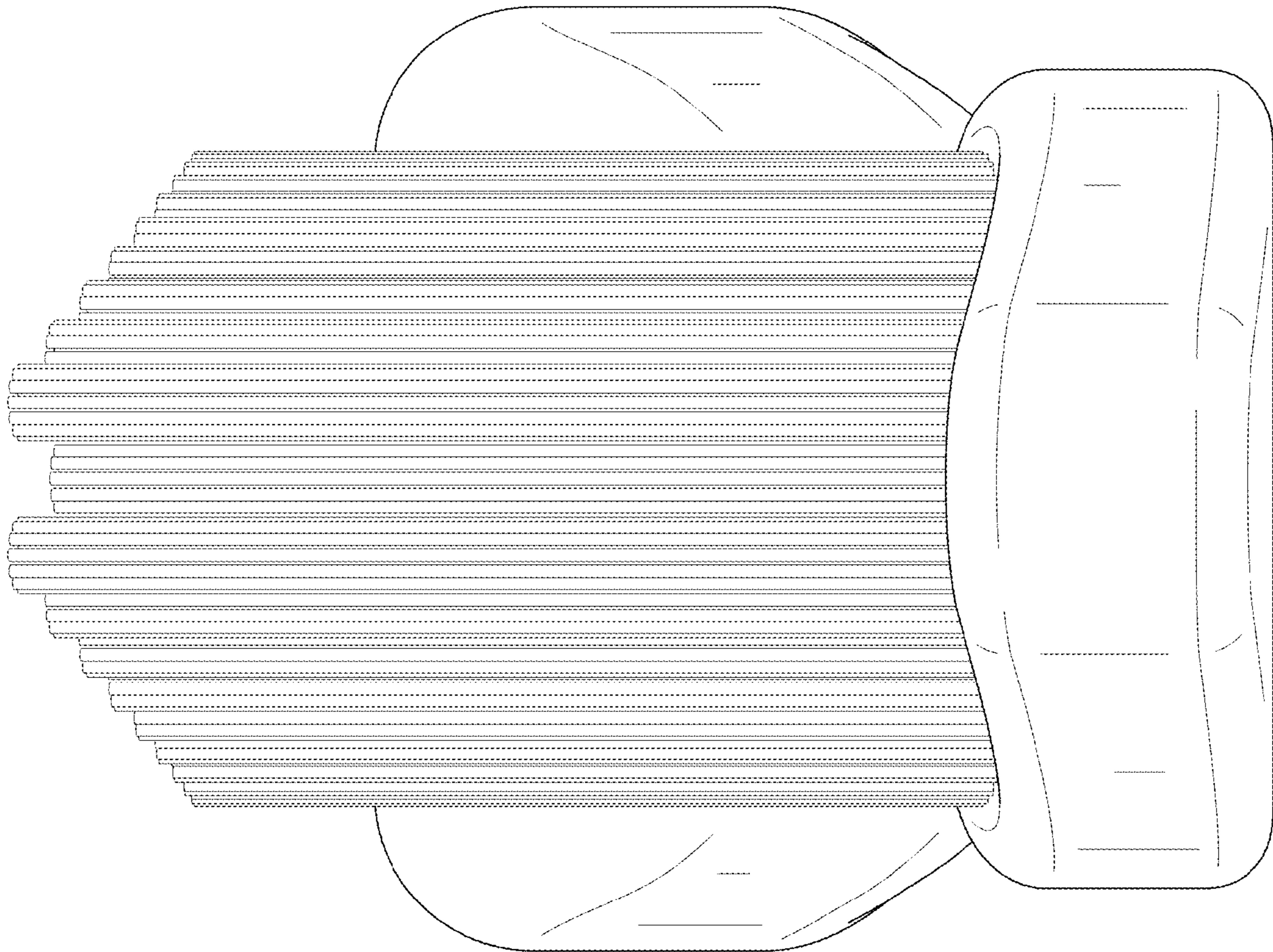


FIG. 11

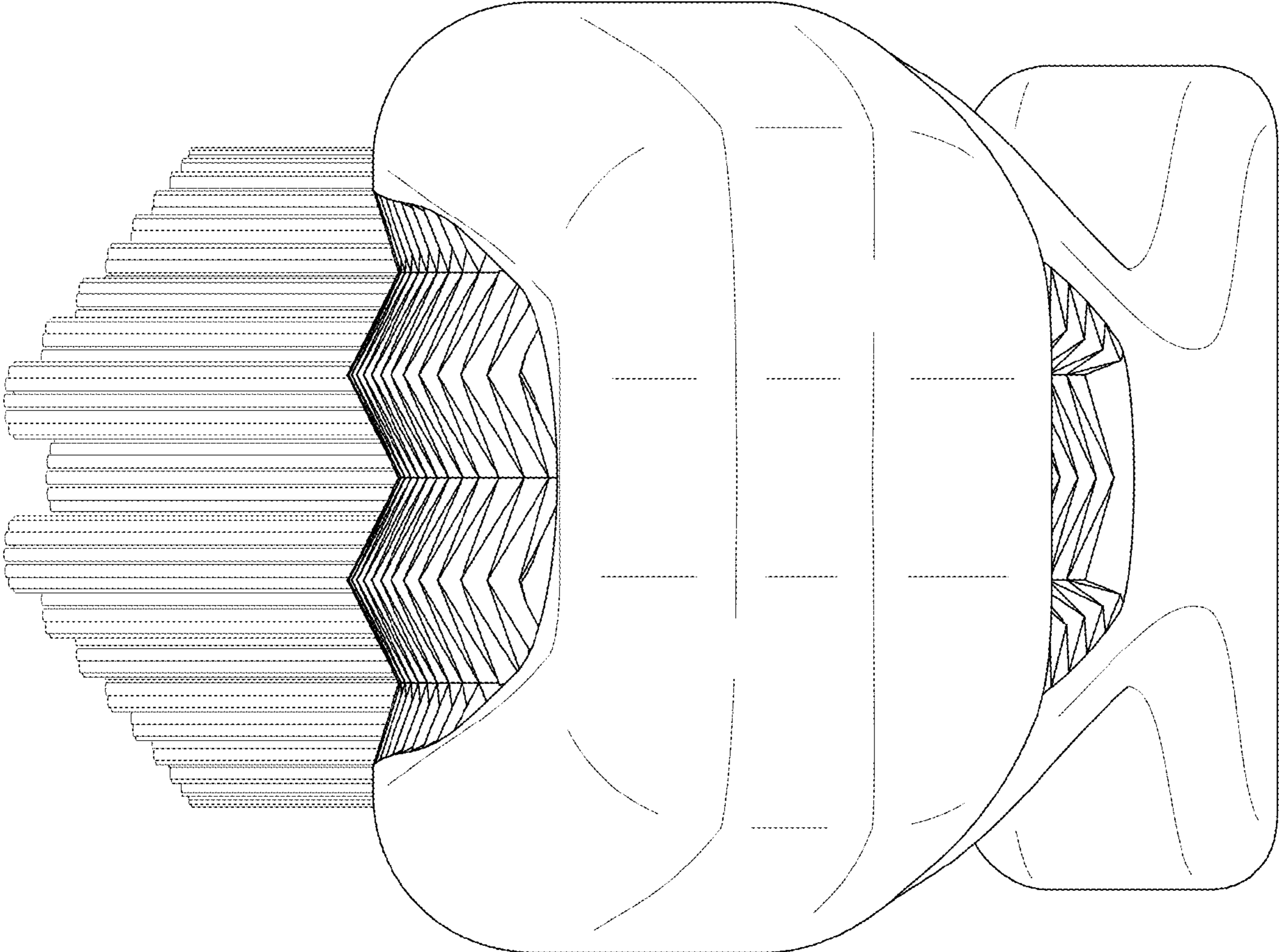


FIG. 12