



US00D976004S

(12) **United States Design Patent**  
**Wang**

(10) **Patent No.:** **US D976,004 S**

(45) **Date of Patent:** **\*\* Jan. 24, 2023**

(54) **TOOL BAG**

2005/0224305 A1\* 10/2005 Davis ..... A45C 5/14  
190/110

(71) Applicant: **Siyi Wang**, Fujian (CN)

\* cited by examiner

(72) Inventor: **Siyi Wang**, Fujian (CN)

*Primary Examiner* — Charles D Hanson

(\*\*) Term: **15 Years**

(74) *Attorney, Agent, or Firm* — Che-Yang Chen; Law  
Office of Michael Chen

(21) Appl. No.: **29/826,681**

(57) **CLAIM**

The ornamental design for a tool bag, as shown and described.

(22) Filed: **Feb. 15, 2022**

**DESCRIPTION**

(51) **LOC (14) Cl.** ..... **03-02**

(52) **U.S. Cl.**  
USPC ..... **D3/315**

(58) **Field of Classification Search**  
USPC ..... D3/315  
See application file for complete search history.

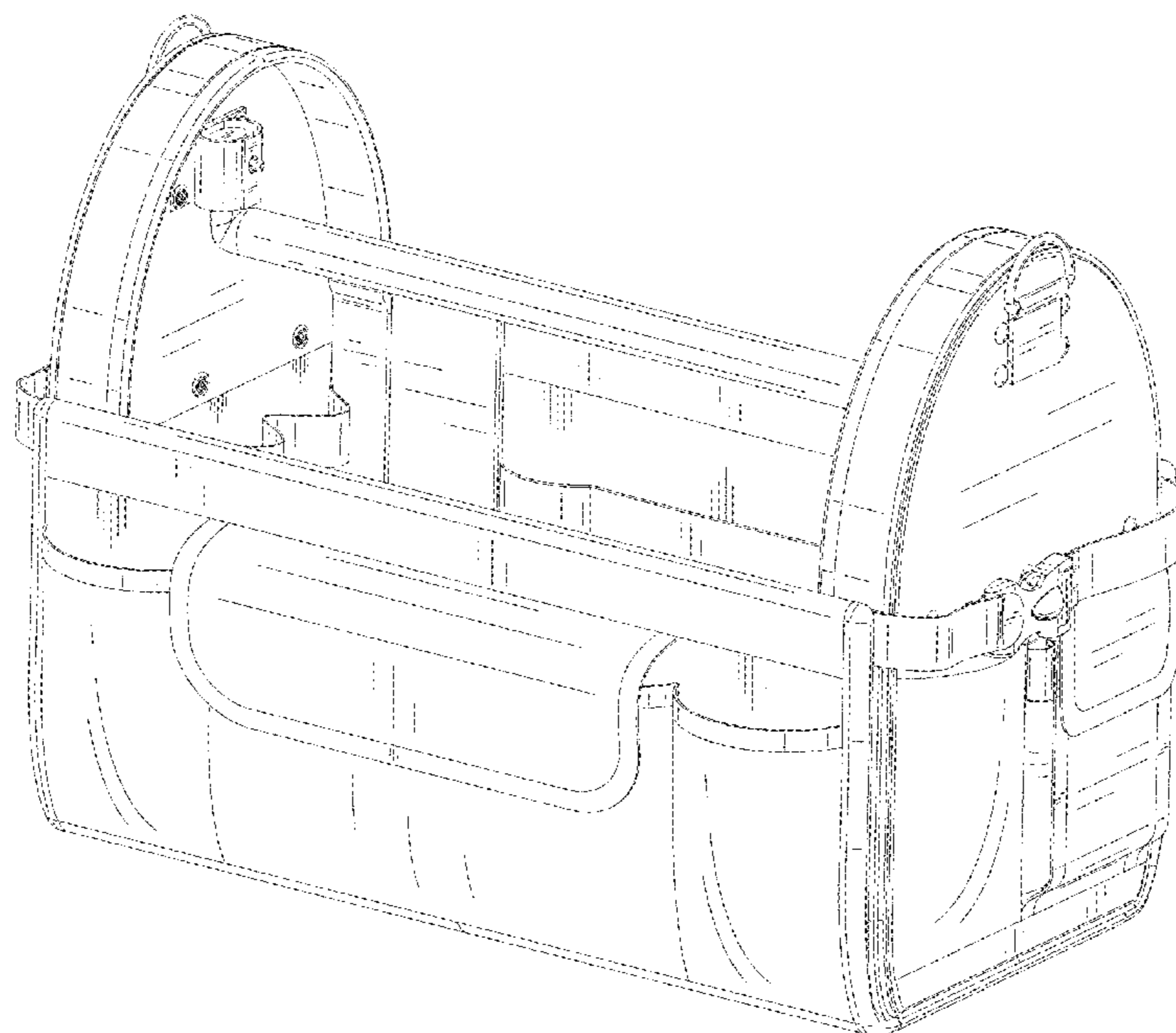
FIG. 1 is a perspective view of the tool bag showing my new design;  
FIG. 2 is a perspective view thereof from another angle;  
FIG. 3 is a perspective view thereof from a different angle;  
FIG. 4 is a front elevational view thereof;  
FIG. 5 is a rear elevational view thereof;  
FIG. 6 is a left side elevational view thereof;  
FIG. 7 is a right side elevational view thereof;  
FIG. 8 is a top plan view thereof;  
FIG. 9 is a bottom plan view thereof;  
FIG. 10 is an enlarged view of a portion indicated with numeric 10 in FIG. 3.  
FIG. 11 is a cross-sectional view of the numeral 11 in FIG. 4, the cross-sectional view on the right and the left sides;  
FIG. 12 is a partially exploded perspective view thereof;  
FIG. 13 is a perspective view of the tool bag when the tool bag is in use;  
FIG. 14 is a perspective view of the tool bag when it is folded;  
FIG. 15 is a top exploded view of the tool bag; and,  
FIG. 16 is its exploded bottom view of the tool bag.  
The broken lines shown in the drawings are included for the purpose of illustrating portions of the tool bag that form no part of the claimed design.

(56) **References Cited**

**U.S. PATENT DOCUMENTS**

6,883,654	B2 *	4/2005	Godshaw	.....	A45C 13/02 190/110
7,044,277	B2 *	5/2006	Redzisz	.....	A45C 7/0095 190/107
D573,793	S	7/2008	Bakker		
D670,500	S *	11/2012	Sosnovsky	.....	D3/304
D701,045	S *	3/2014	Menirom	.....	D3/905
D721,496	S *	1/2015	Hofem	.....	D3/315
D782,820	S *	4/2017	Thompson	.....	D3/289
D813,540	S *	3/2018	Copek	.....	D3/301
D823,600	S *	7/2018	Pennington	.....	D3/315
D850,793	S *	6/2019	Waldner	.....	D3/304
D851,936	S *	6/2019	Lit Chung	.....	D3/315
D871,764	S *	1/2020	Woolery	.....	D3/308
D906,671	S *	1/2021	McCullagh	.....	D3/285
D920,676	S *	6/2021	Zhang	.....	D3/318
D952,342	S *	5/2022	Eisenhardt	.....	D3/301
D955,110	S *	6/2022	Zhuang	.....	D3/285

**1 Claim, 16 Drawing Sheets**



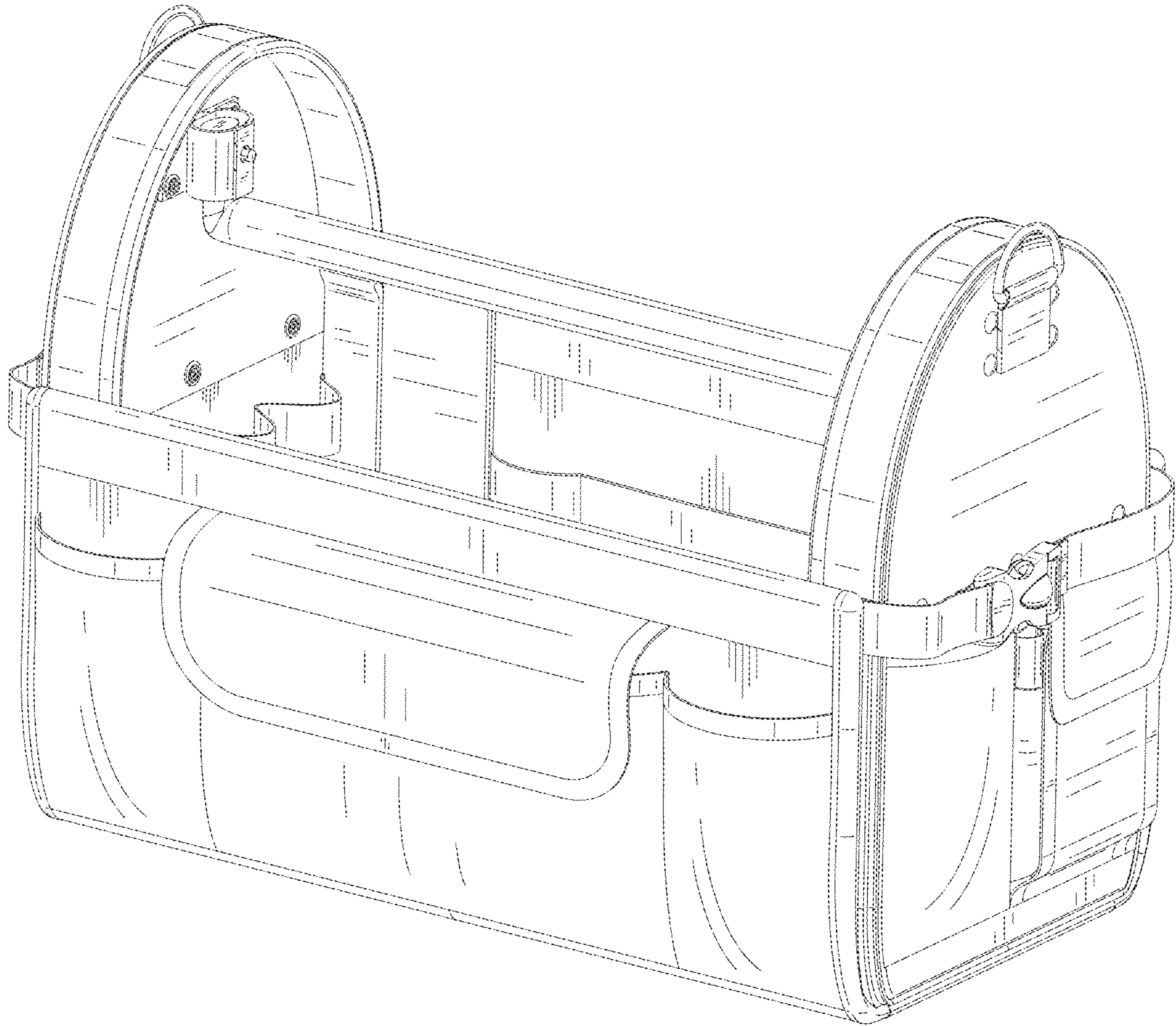


FIG. 1

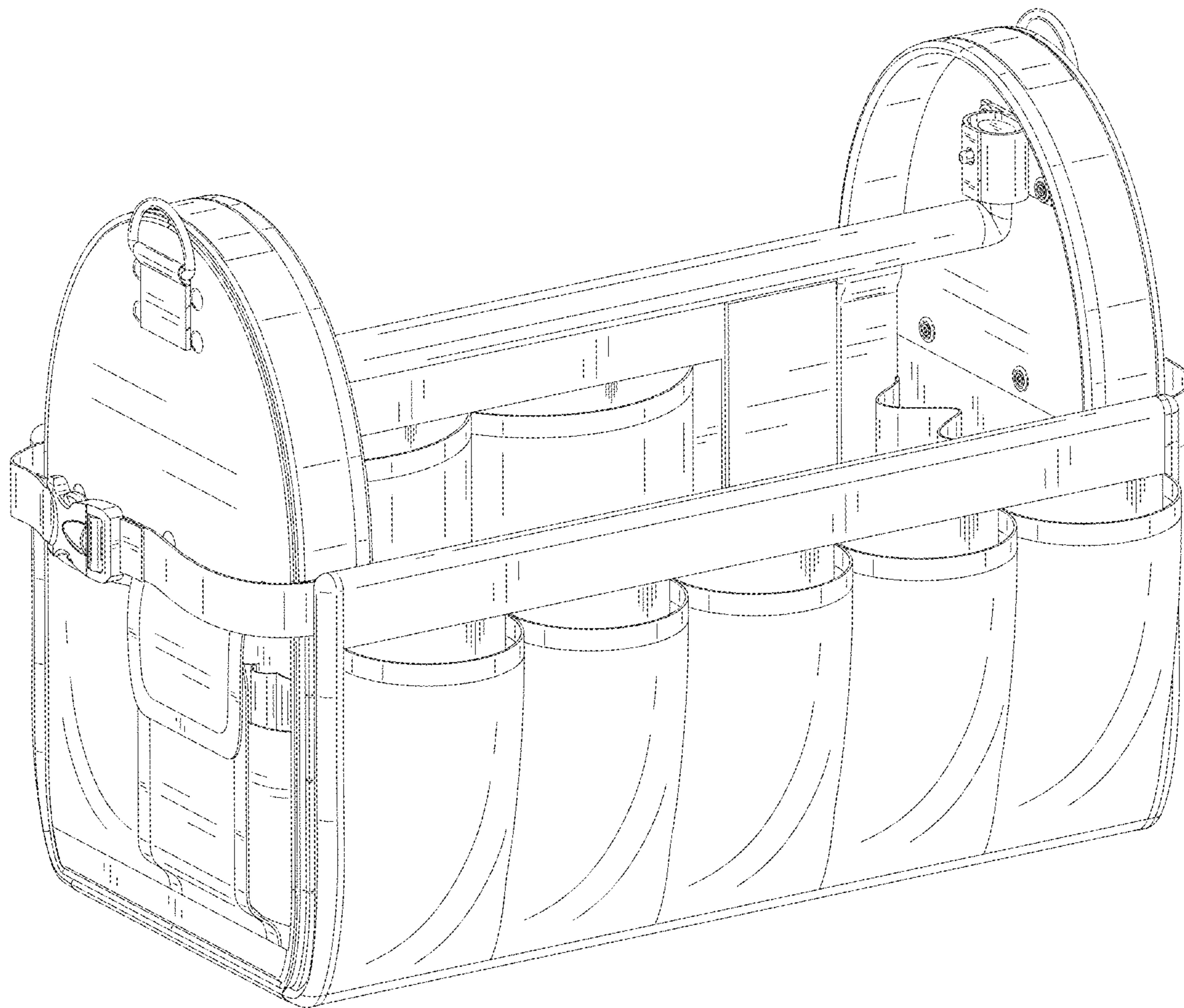


FIG. 2



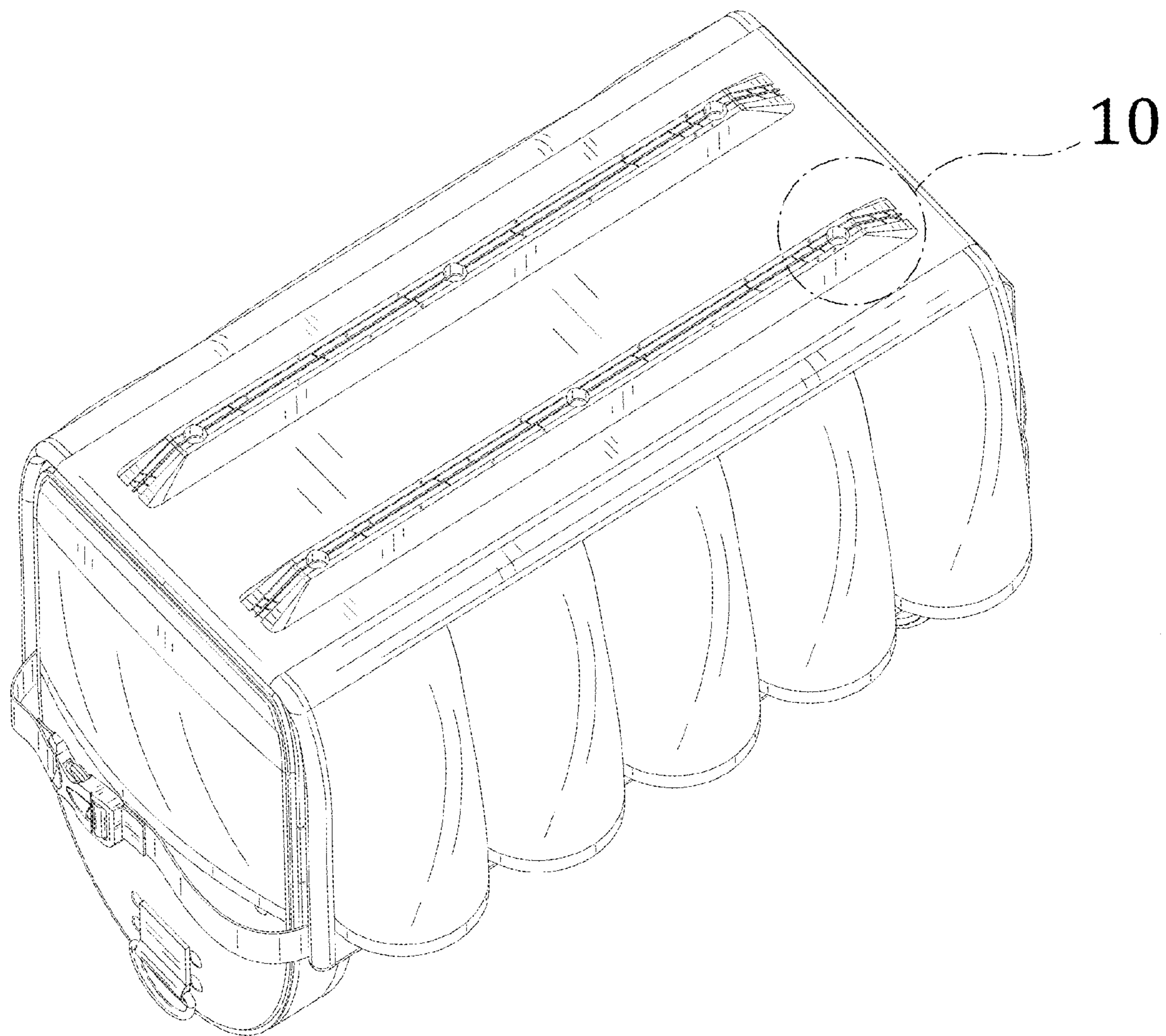


FIG. 3

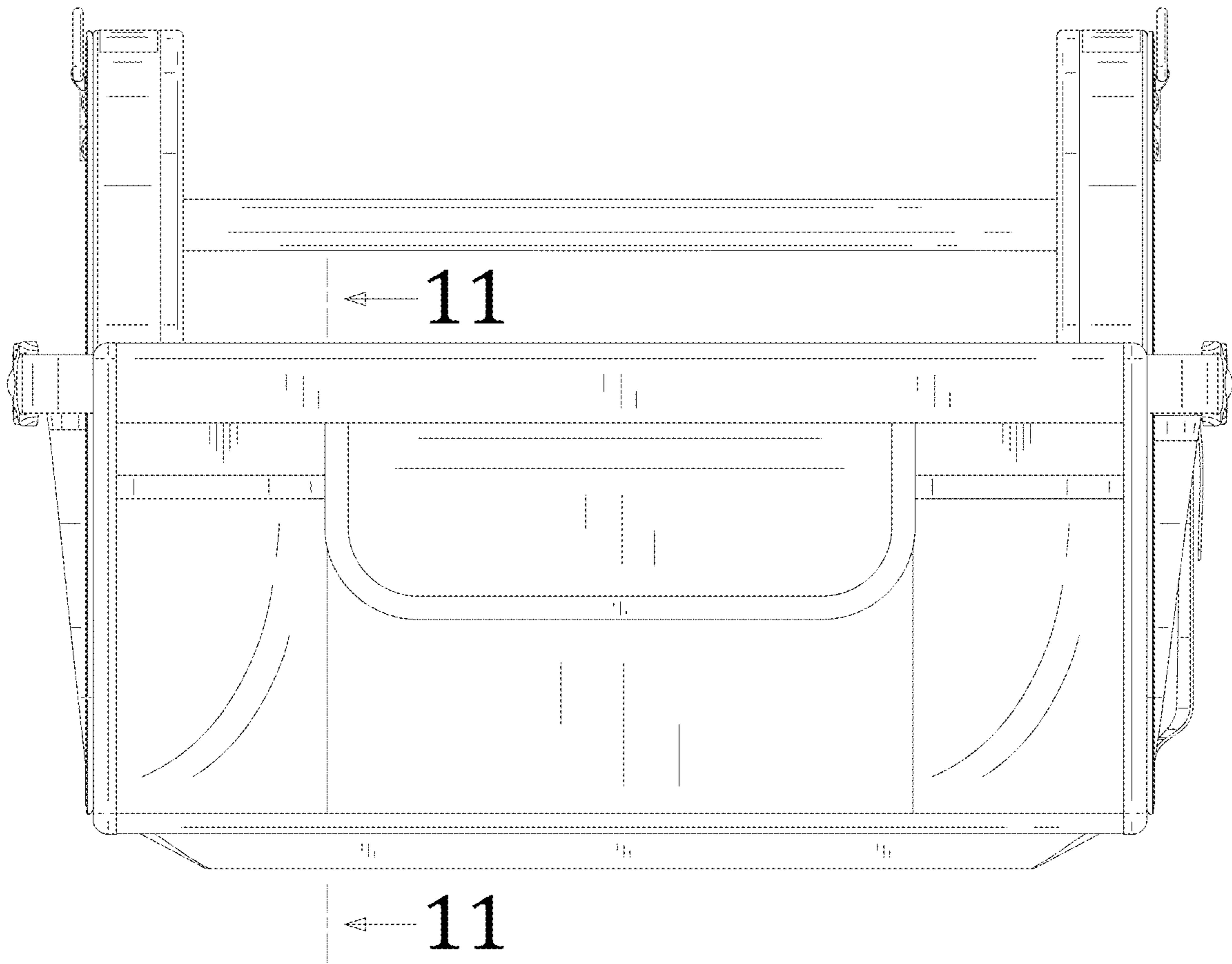


FIG. 4

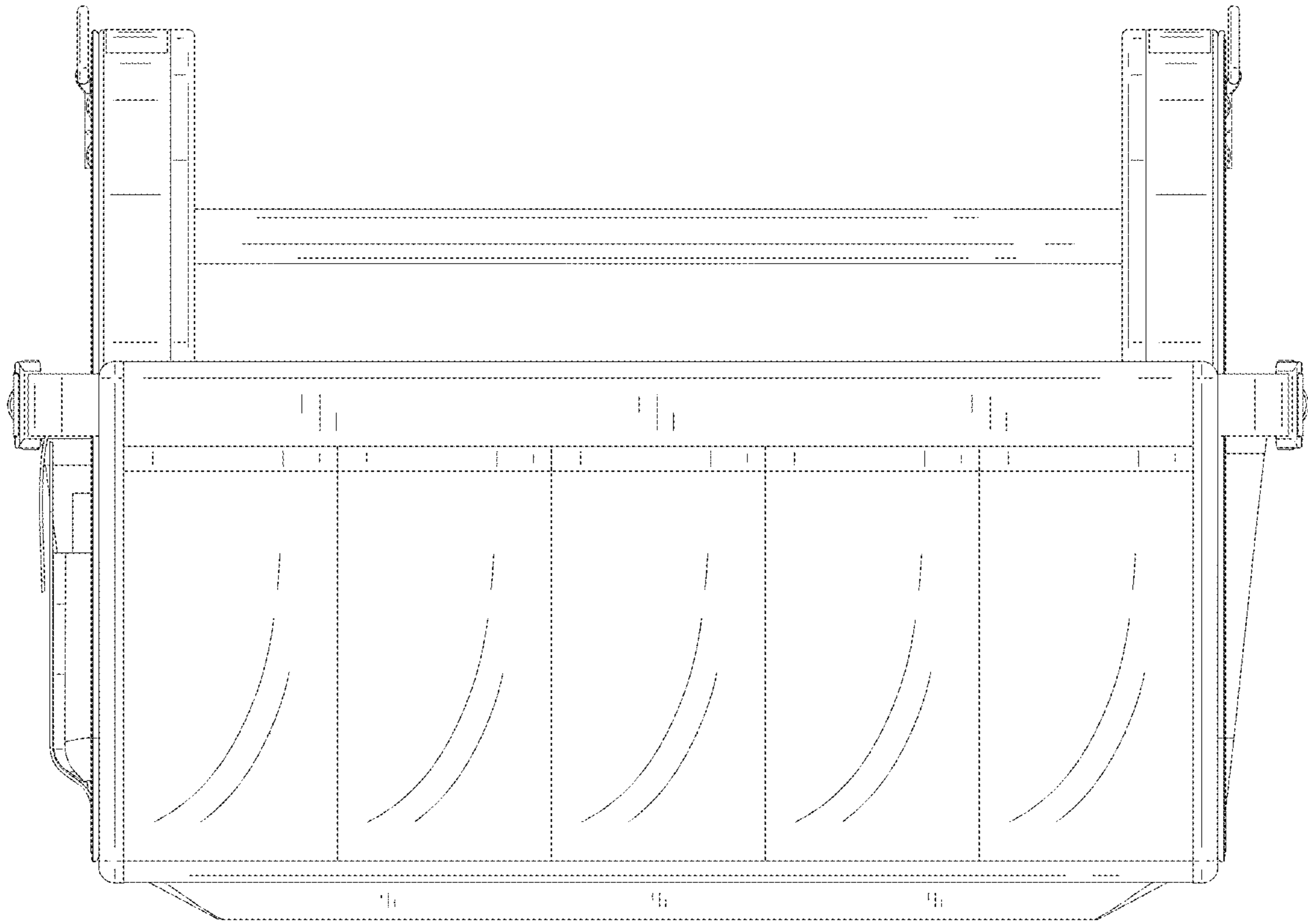


FIG. 5

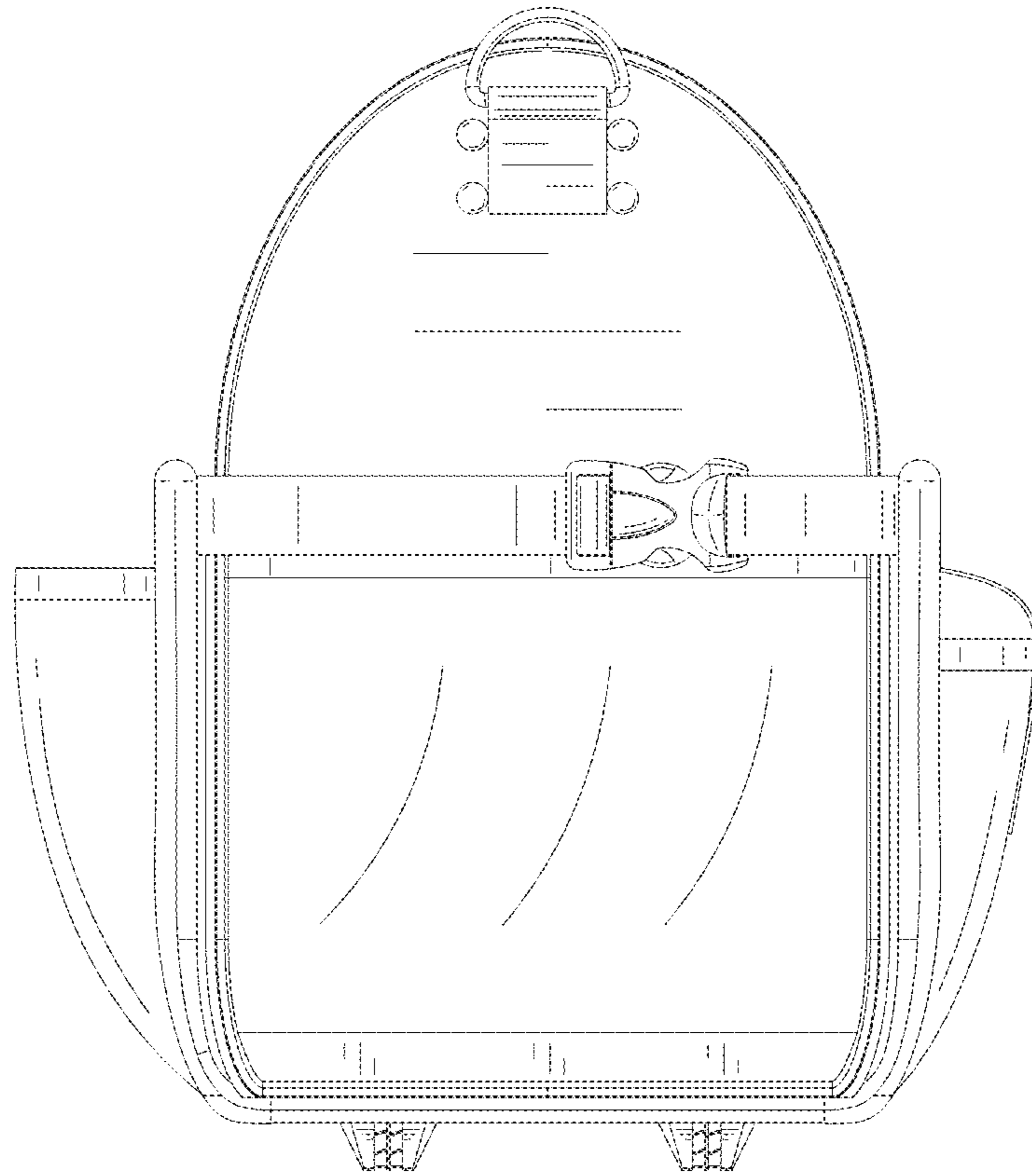


FIG. 6

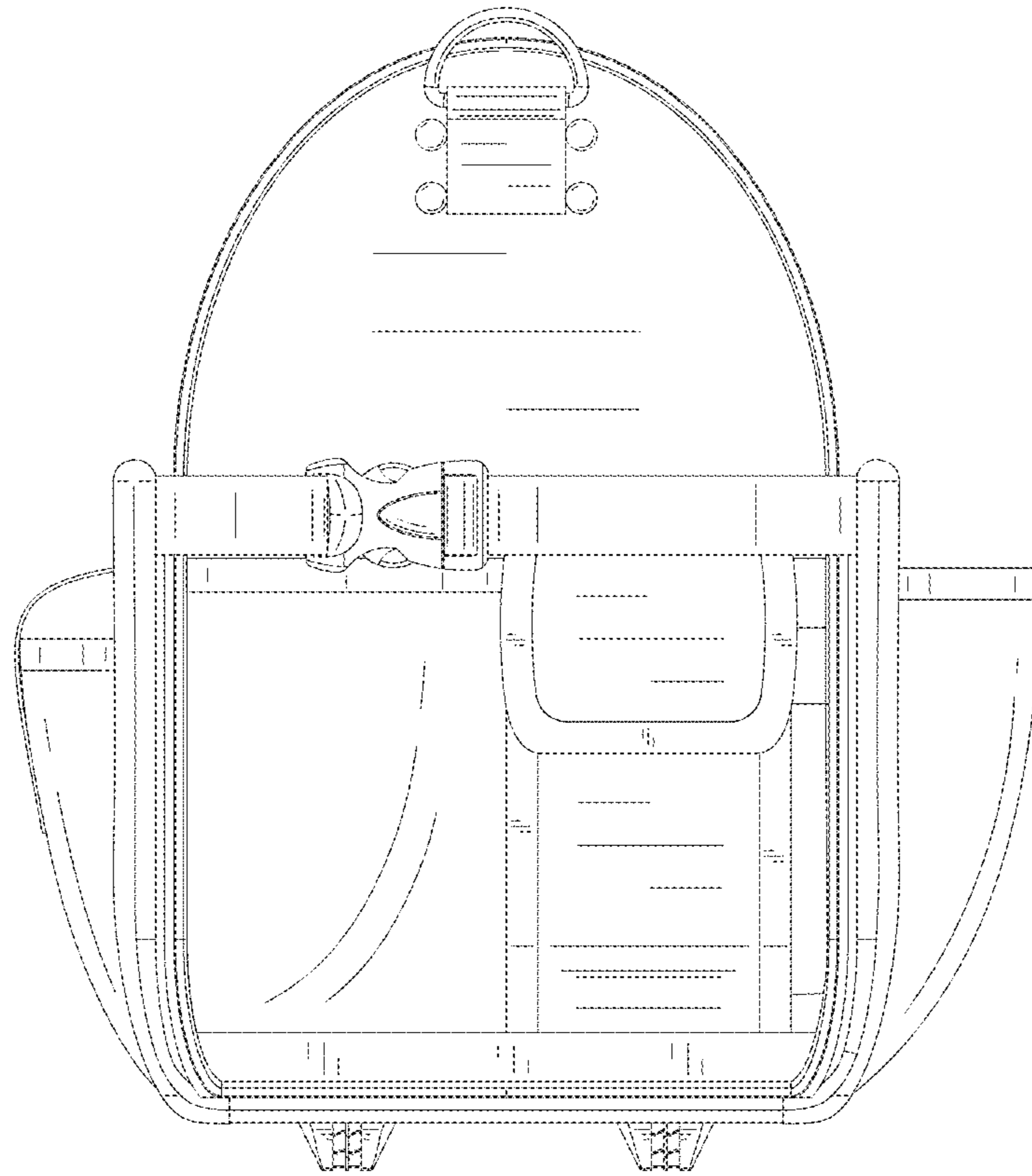


FIG. 7



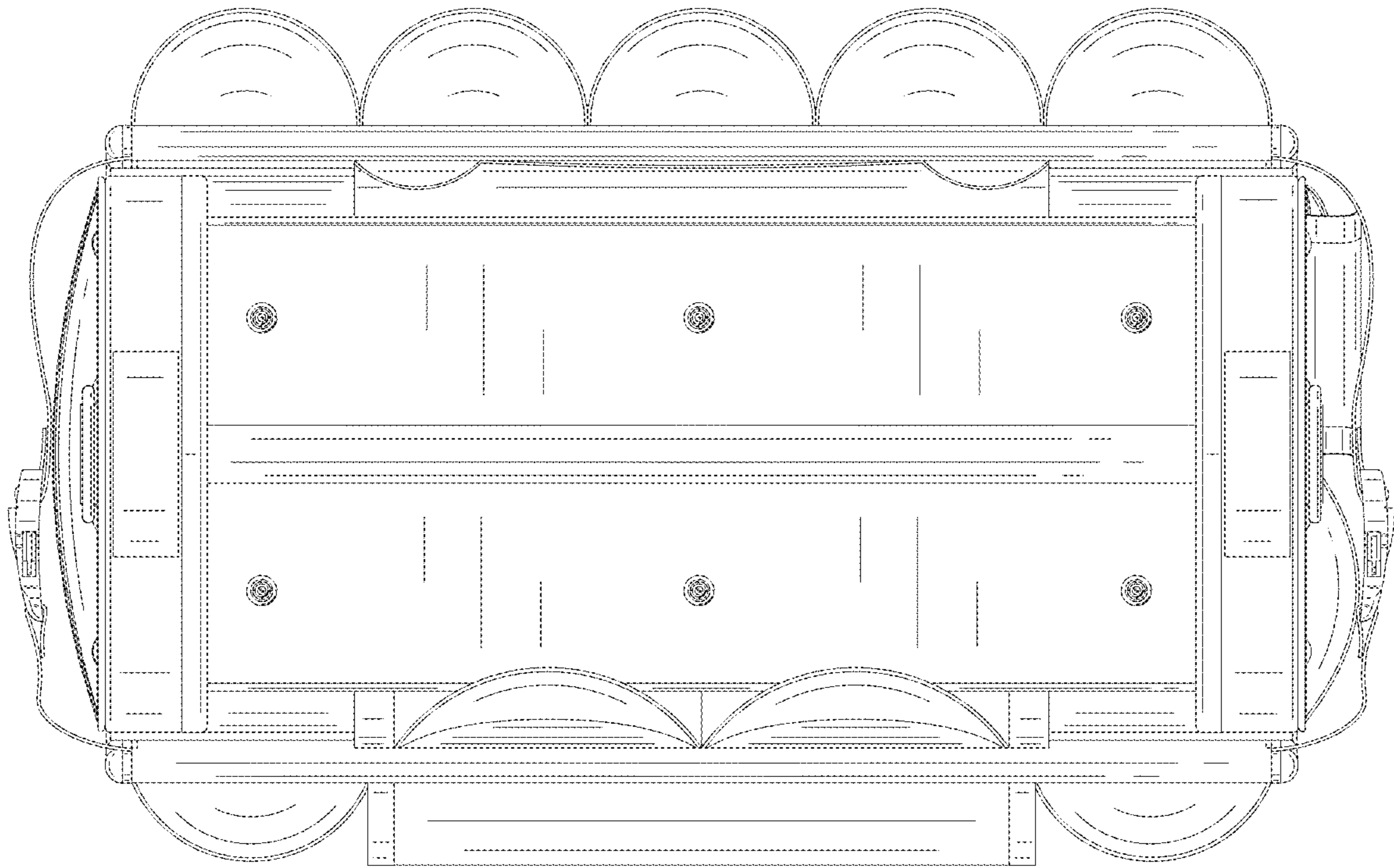


FIG. 8

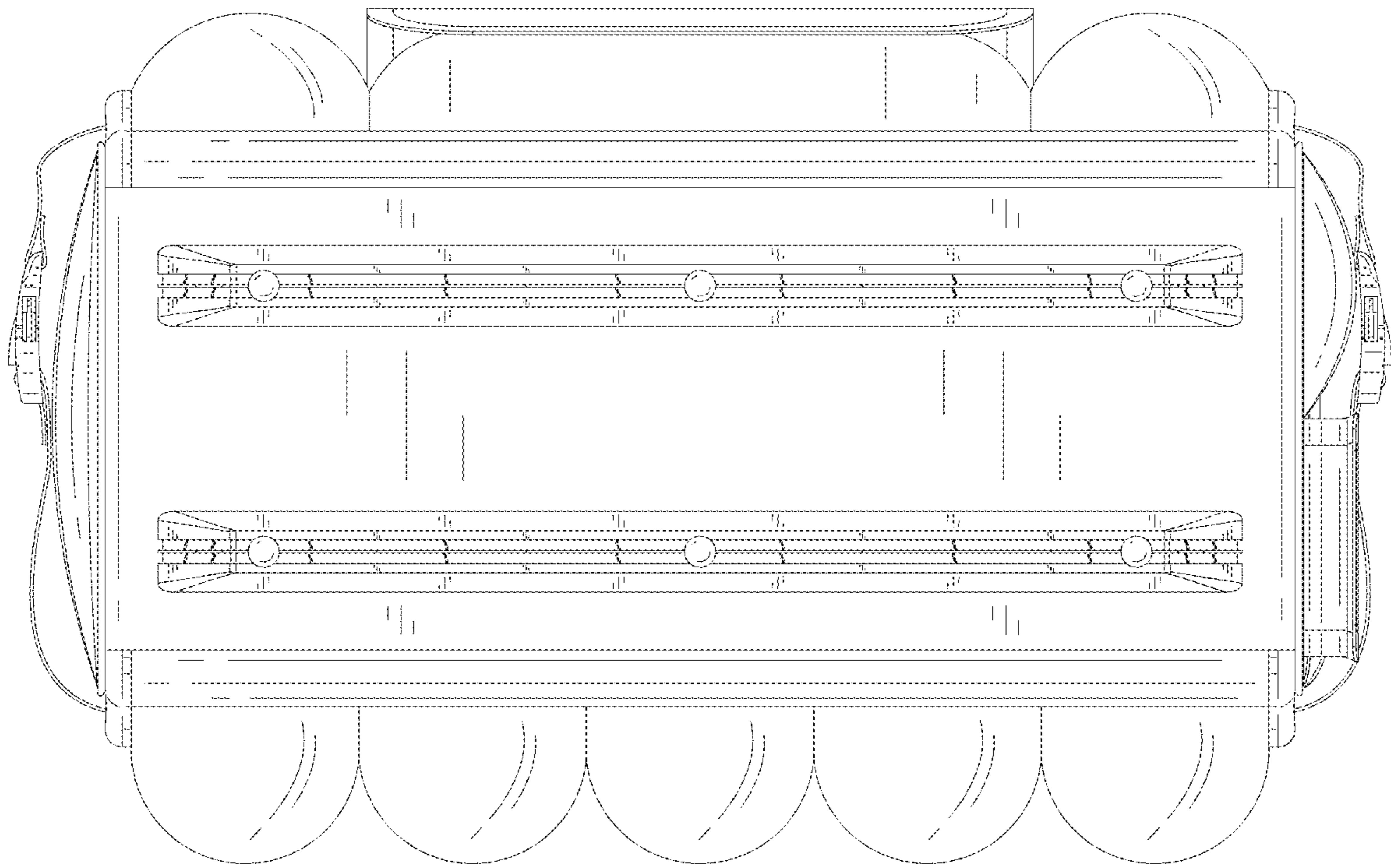


FIG. 9

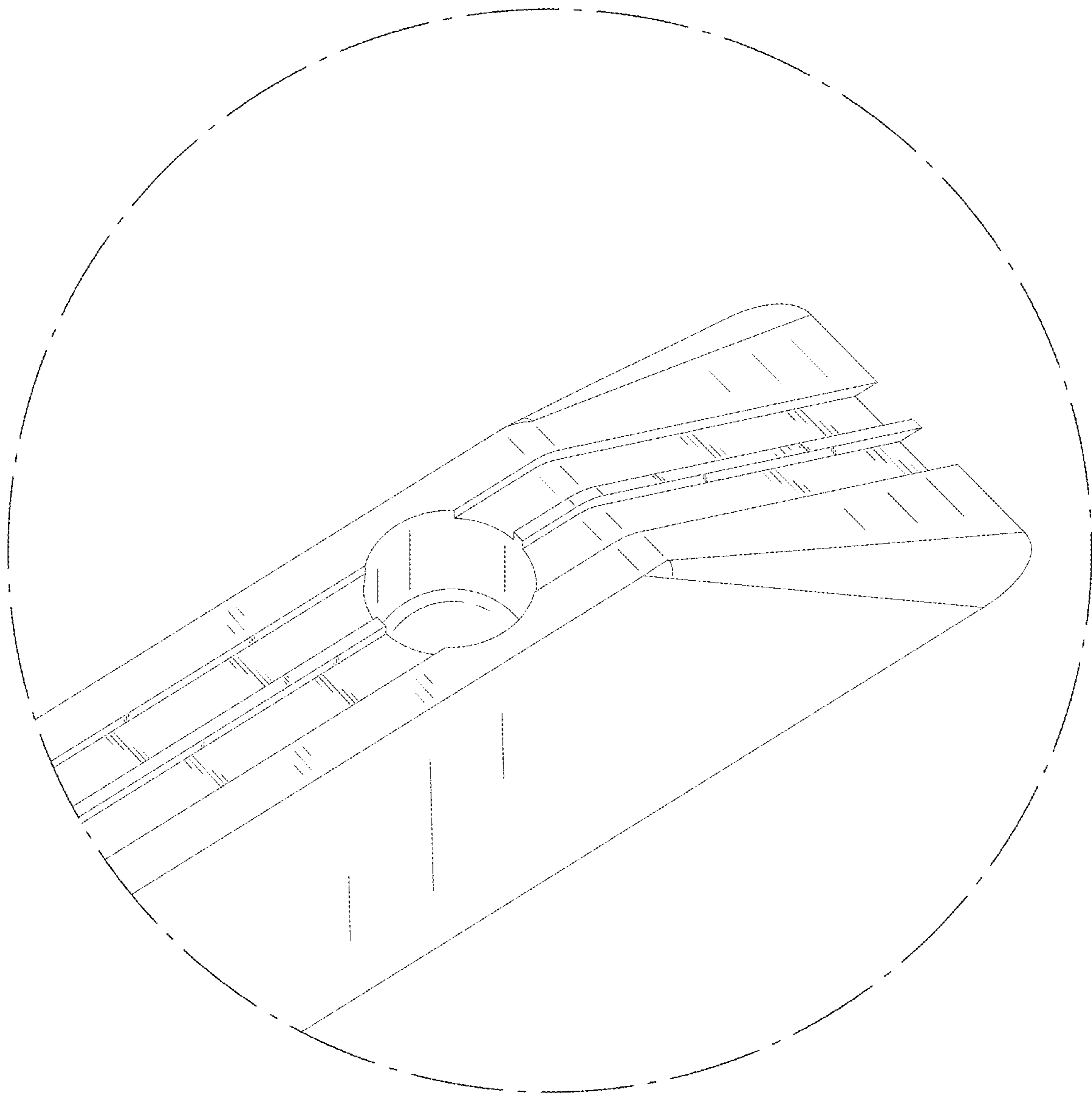


FIG. 10

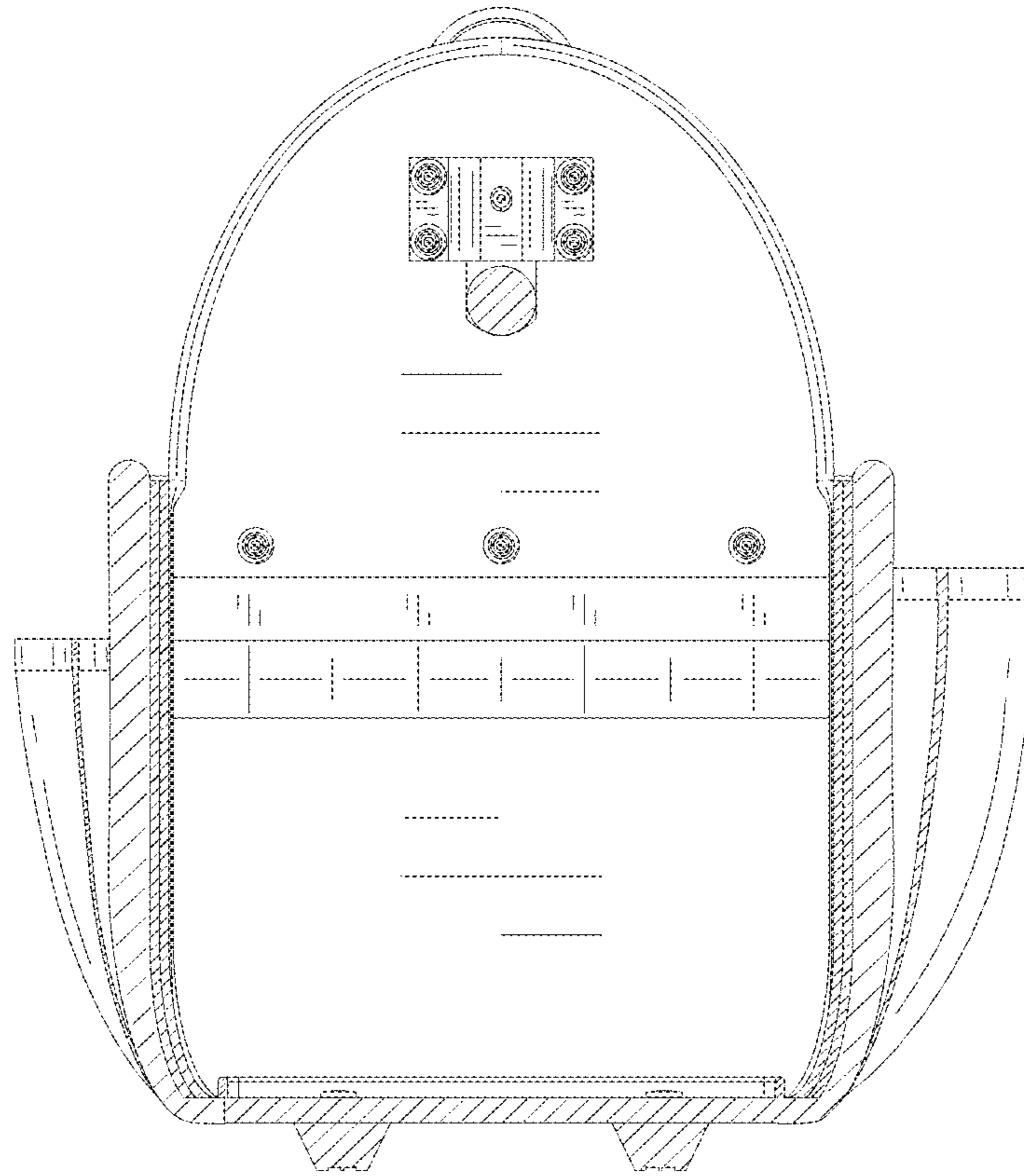


FIG. 11



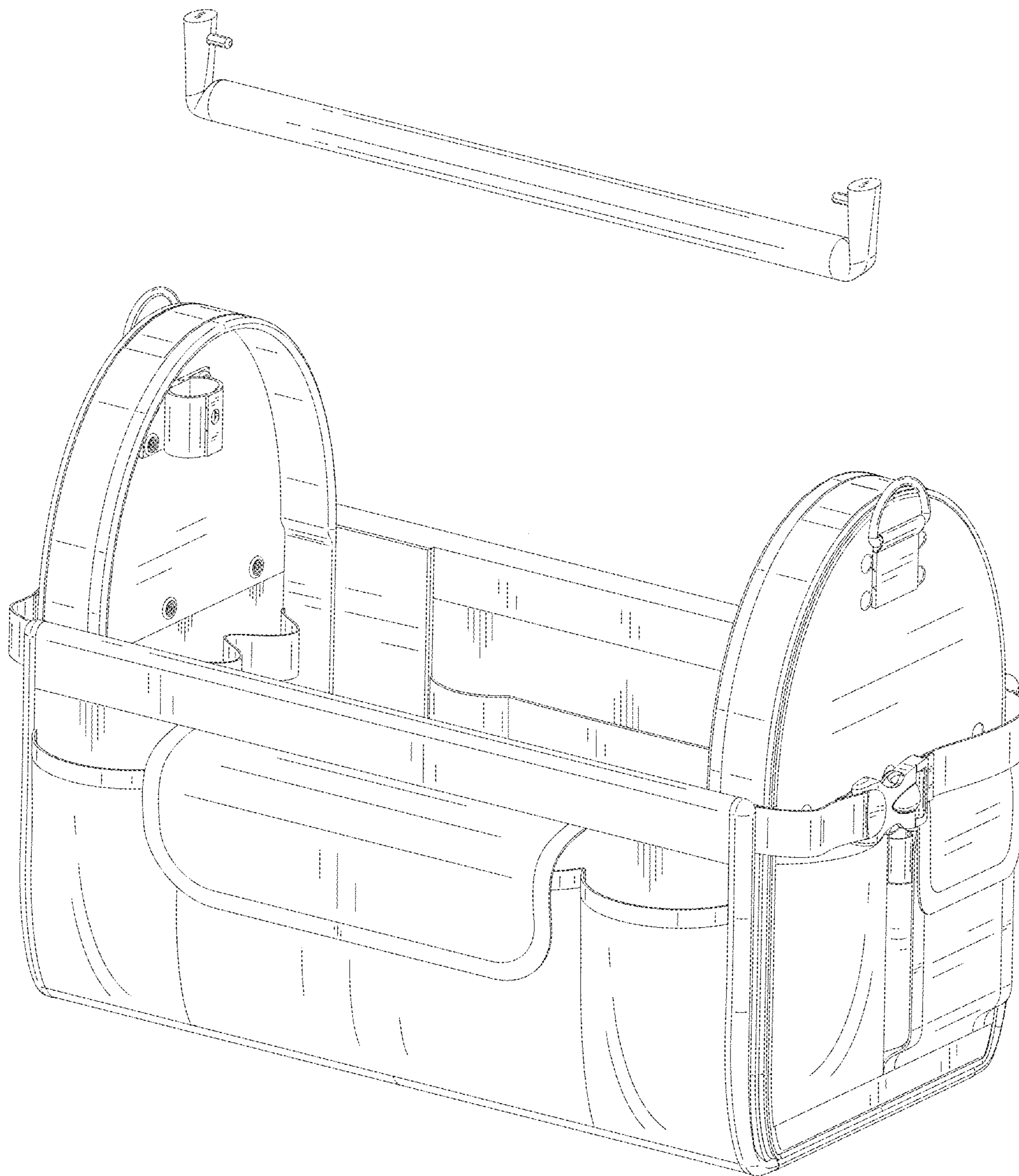


FIG. 12

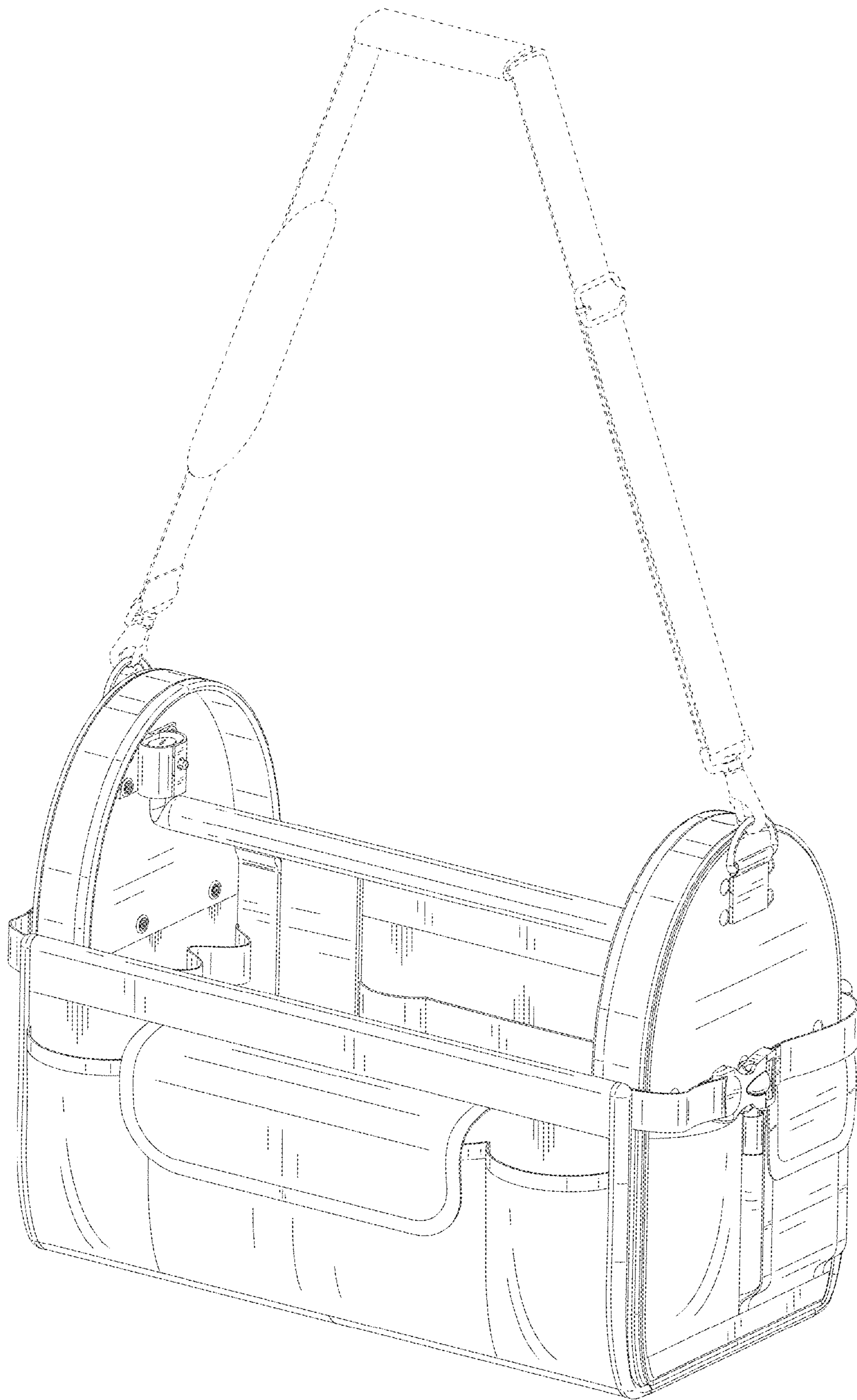


FIG. 13

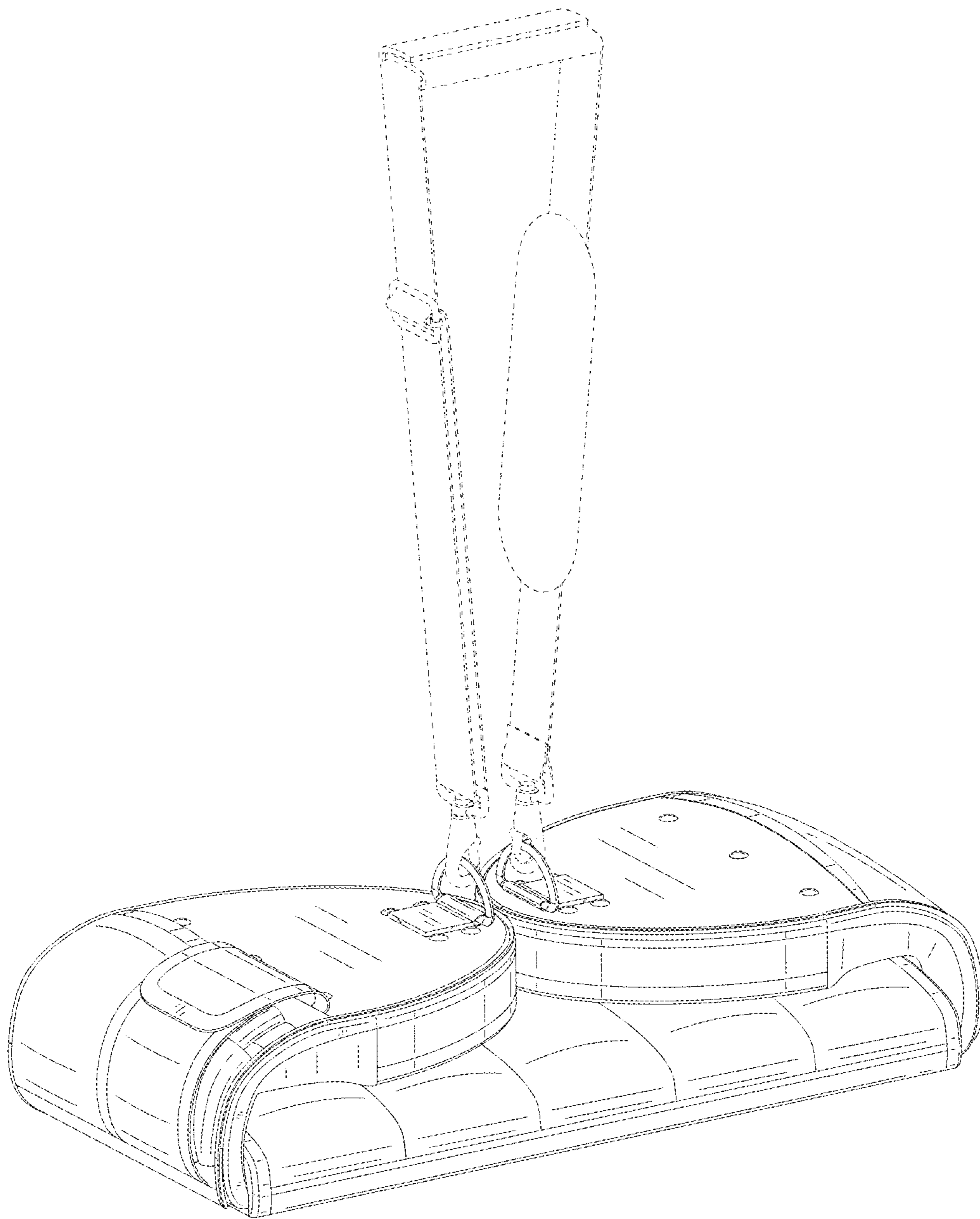


FIG. 14

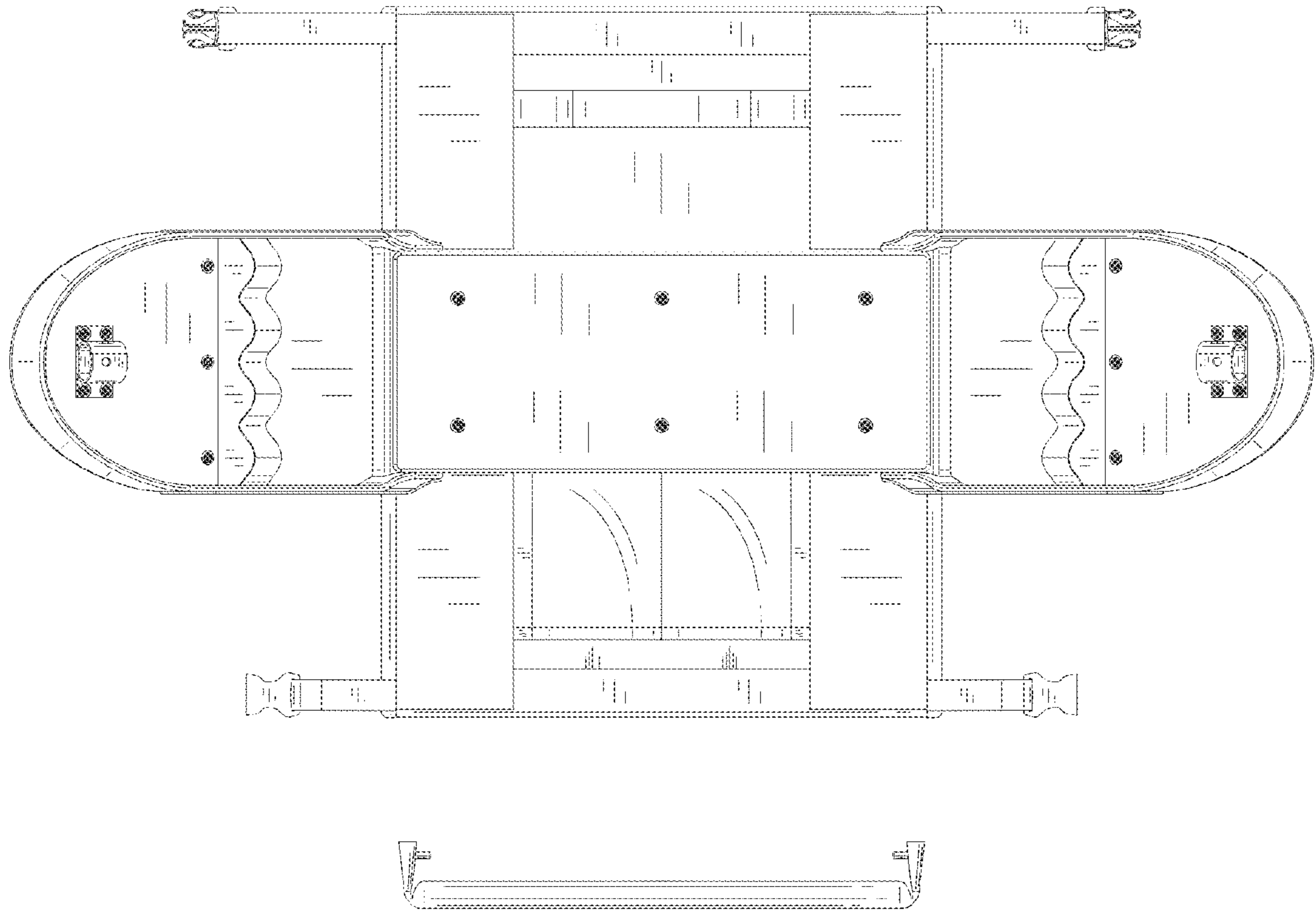


FIG. 15



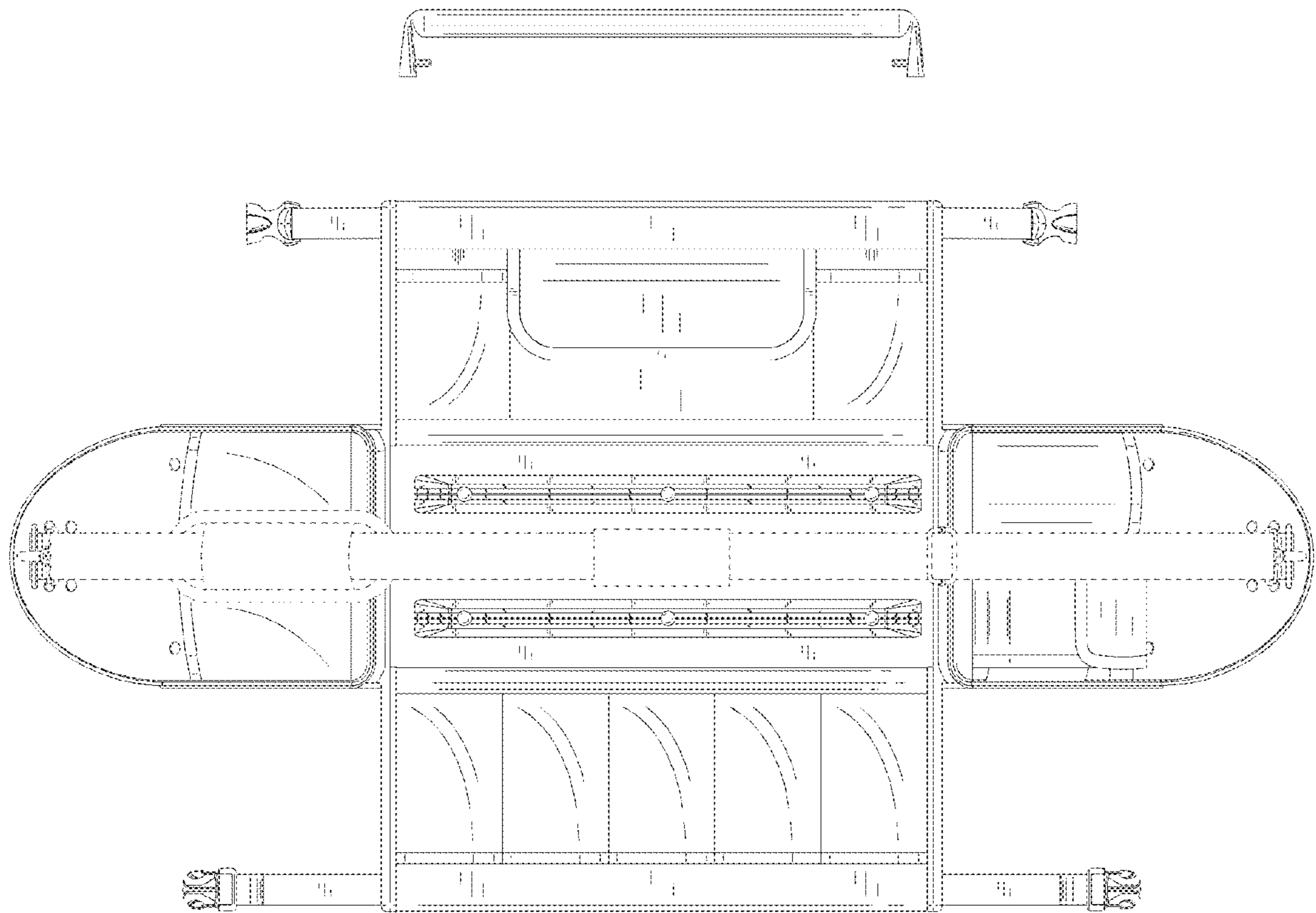


FIG. 16