



US00D976003S

(12) **United States Design Patent**  
**Snell**

(10) **Patent No.:** **US D976,003 S**  
(45) **Date of Patent:** **\*\* Jan. 24, 2023**

(54) **ORGANIZER**

- (71) Applicant: **Metro Decor LLC**, Glenwillow, OH (US)
- (72) Inventor: **Russell Benton Snell**, Bentleyville, OH (US)
- (73) Assignee: **Metro Decor LLC**, Glenwillow, OH (US)
- (\*\*) Term: **15 Years**
- (21) Appl. No.: **29/733,383**
- (22) Filed: **May 1, 2020**

**Related U.S. Application Data**

- (63) Continuation-in-part of application No. 29/680,170, filed on Feb. 14, 2019, now Pat. No. Des. 900,476, (Continued)

(51) **LOC (14) Cl.** ..... **09-04**

(52) **U.S. Cl.**  
USPC ..... **D3/313; D7/553.3; D7/602**

(58) **Field of Classification Search**  
USPC ..... D3/201, 203.1, 203.6, 203.7, 203.8, 205, D3/206, 213, 215, 276, 283, 285, 289, D3/304, 306, 319, 297, 310, 313, 314, D3/315, 260; D9/425, 756, 761, 737, D9/759; D27/186; D19/75, 90, 92, D19/100-107; D7/637, 354, 553.1, D7/553.2, 553.3, 554.1, 554.3, 554.4, (Continued)

(56) **References Cited**

**U.S. PATENT DOCUMENTS**

- 2,788,912 A \* 4/1957 Simonsen ..... B65D 25/06  
220/533
- 4,577,773 A \* 3/1986 Bitel ..... B25H 3/02  
206/561

(Continued)

**FOREIGN PATENT DOCUMENTS**

- EM 001109623-0006 \* 4/2009
- JP D1473485 \* 6/2013

**OTHER PUBLICATIONS**

Youtube.com, Site visited Jun. 27, 2022, "Howards—How to organise your make-up" features Clear Store Drawers by Howards Storage World, published on Oct. 31, 2013, <https://www.youtube.com/watch?v=2g7j3sqqTY0> (Year: 2013).\*

(Continued)

*Primary Examiner* — Brett Miller  
*Assistant Examiner* — Jessica M Gebhart  
(74) *Attorney, Agent, or Firm* — Calfee, Halter & Griswold LLP

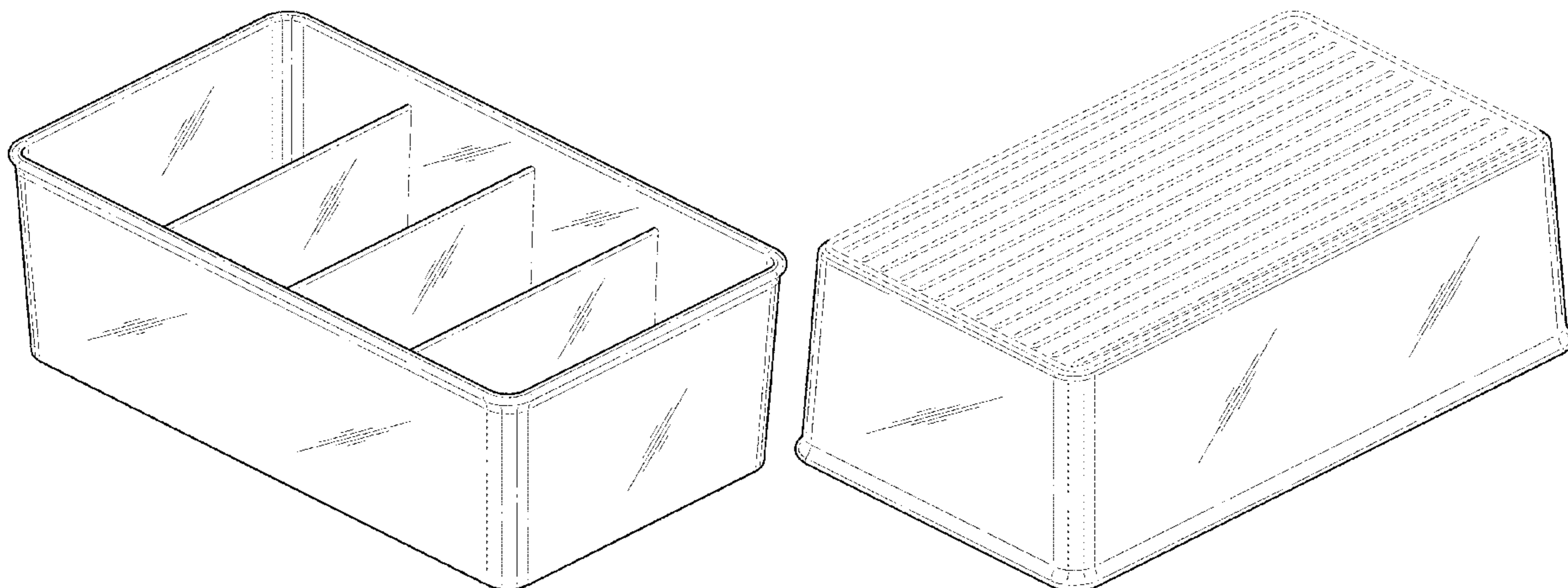
(57) **CLAIM**

I claim the ornamental design for an organizer, as shown and described.

**DESCRIPTION**

FIG. 1 is a front/right/top perspective view of a clear organizer (a front/left/top perspective view would be a mirror image thereof);  
FIG. 2 is a rear/left/bottom perspective view thereof (a rear/right/bottom perspective view would be a mirror image thereof);  
FIG. 3 is a front elevational view thereof;  
FIG. 4 is a rear elevational view thereof;  
FIG. 5 is a right side elevational view thereof;  
FIG. 6 is a left side elevational view thereof;  
FIG. 7 is a top plan view thereof; and,  
FIG. 8 is a bottom plan view thereof.  
The broken lines depict portions of the organizer that form no part of the claimed design.

**1 Claim, 5 Drawing Sheets**



**Related U.S. Application Data**

which is a continuation-in-part of application No. 29/585,140, filed on Nov. 21, 2016, now abandoned, which is a continuation-in-part of application No. 29/602,126, filed on Apr. 28, 2017, now abandoned, which is a continuation of application No. 29/492,902, filed on Jun. 4, 2014, now Pat. No. Des. 787,922, which is a continuation of application No. 29/416,358, filed on Mar. 21, 2012, now Pat. No. Des. 709,289, which is a continuation-in-part of application No. 29/664,518, filed on Sep. 26, 2018, now Pat. No. Des. 925,229, which is a continuation of application No. 29/576,756, filed on Sep. 7, 2016, now Pat. No. Des. 830,060, which is a continuation of application No. 29/487,228, filed on Apr. 7, 2014, now Pat. No. Des. 767,950, which is a continuation-in-part of application No. 29/584,277, filed on Nov. 14, 2016, now Pat. No. Des. 885,813, which is a continuation of application No. 29/496,385, filed on Jul. 11, 2014, now Pat. No. Des. 772,575, which is a continuation-in-part of application No. 29/682,703, filed on Mar. 7, 2019, now Pat. No. Des. 887,746, which is a continuation of application No. 29/602,868, filed on May 4, 2017, now Pat. No. Des. 845,662, which is a continuation of application No. 29/531,198, filed on Jun. 24, 2015, now Pat. No. Des. 790,247, which is a continuation-in-part of application No. 29/643,819, filed on Apr. 12, 2018, now Pat. No. Des. 905,483, which is a continuation of application No. 29/553,877, filed on Feb. 5, 2016, now abandoned, which is a continuation-in-part of application No. 29/705,659,

filed on Sep. 13, 2019, now Pat. No. Des. 948,240, which is a continuation of application No. 29/648,998, filed on May 25, 2018, now Pat. No. Des. 862,922.

(58) **Field of Classification Search**

USPC ..... D7/555, 556, 557, 590, 600.1, 601, 602, D7/610, 701, 707  
 CPC ..... B65D 25/06  
 See application file for complete search history.

(56) **References Cited**

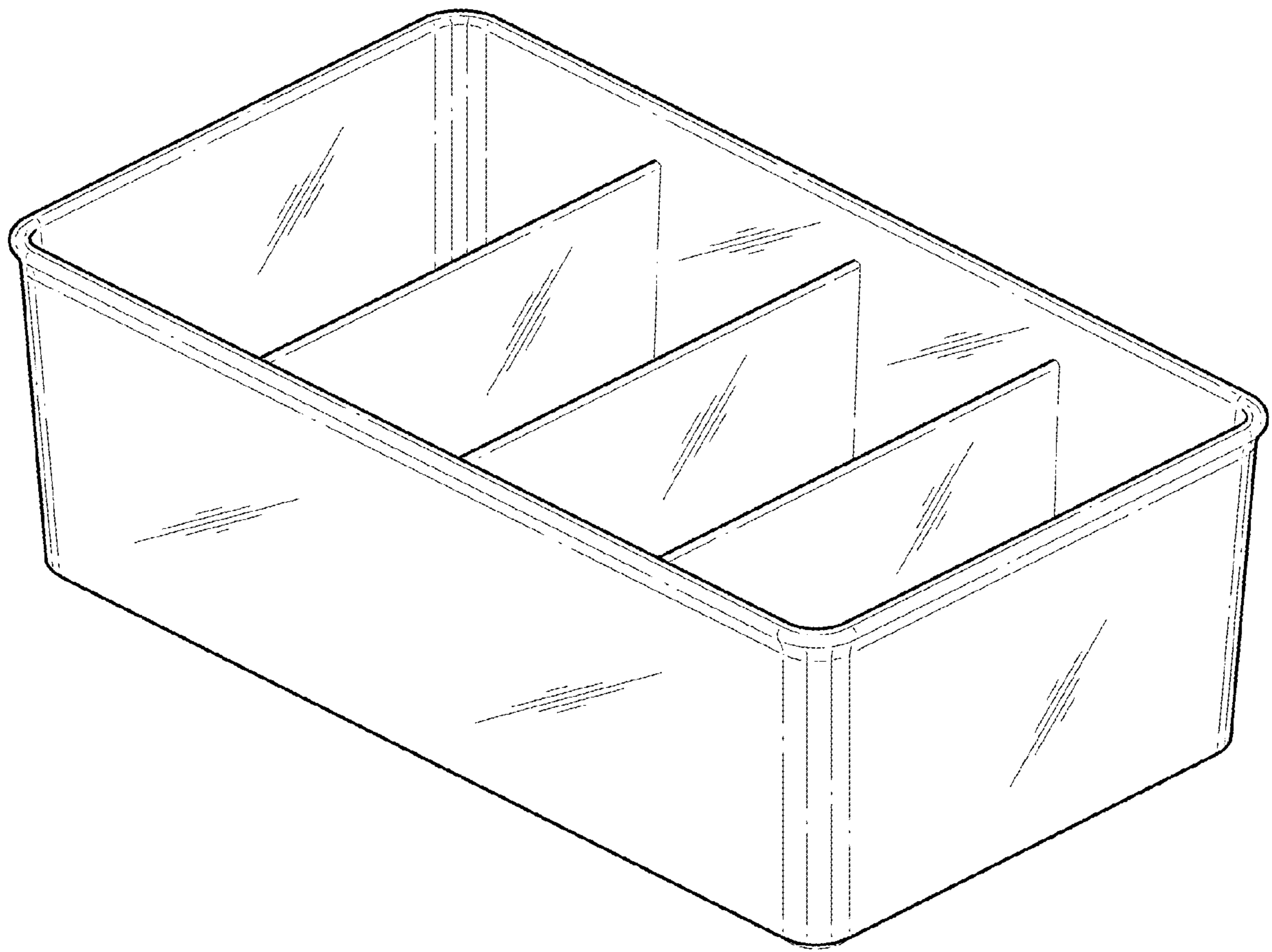
U.S. PATENT DOCUMENTS

D292,661	S	*	11/1987	Lacey	.....	D7/553.3
D387,559	S	*	12/1997	Williamson	.....	D3/313
5,800,031	A	*	9/1998	Hanneman	.....	A47B 88/90 312/348.3
D437,116	S	*	2/2001	Dembicks	.....	D3/313
D439,085	S	*	3/2001	Quinn	.....	D7/637
D530,918	S	*	10/2006	Snell	.....	D3/304
D583,152	S	*	12/2008	Keeney	.....	D3/319
D670,909	S	*	11/2012	Price	.....	D3/260
D805,897	S	*	12/2017	Schärer	.....	D7/602
D945,888	S	*	3/2022	Dai	.....	D9/737
2009/0134169	A1	*	5/2009	Christenson	.....	B65D 25/06 220/553

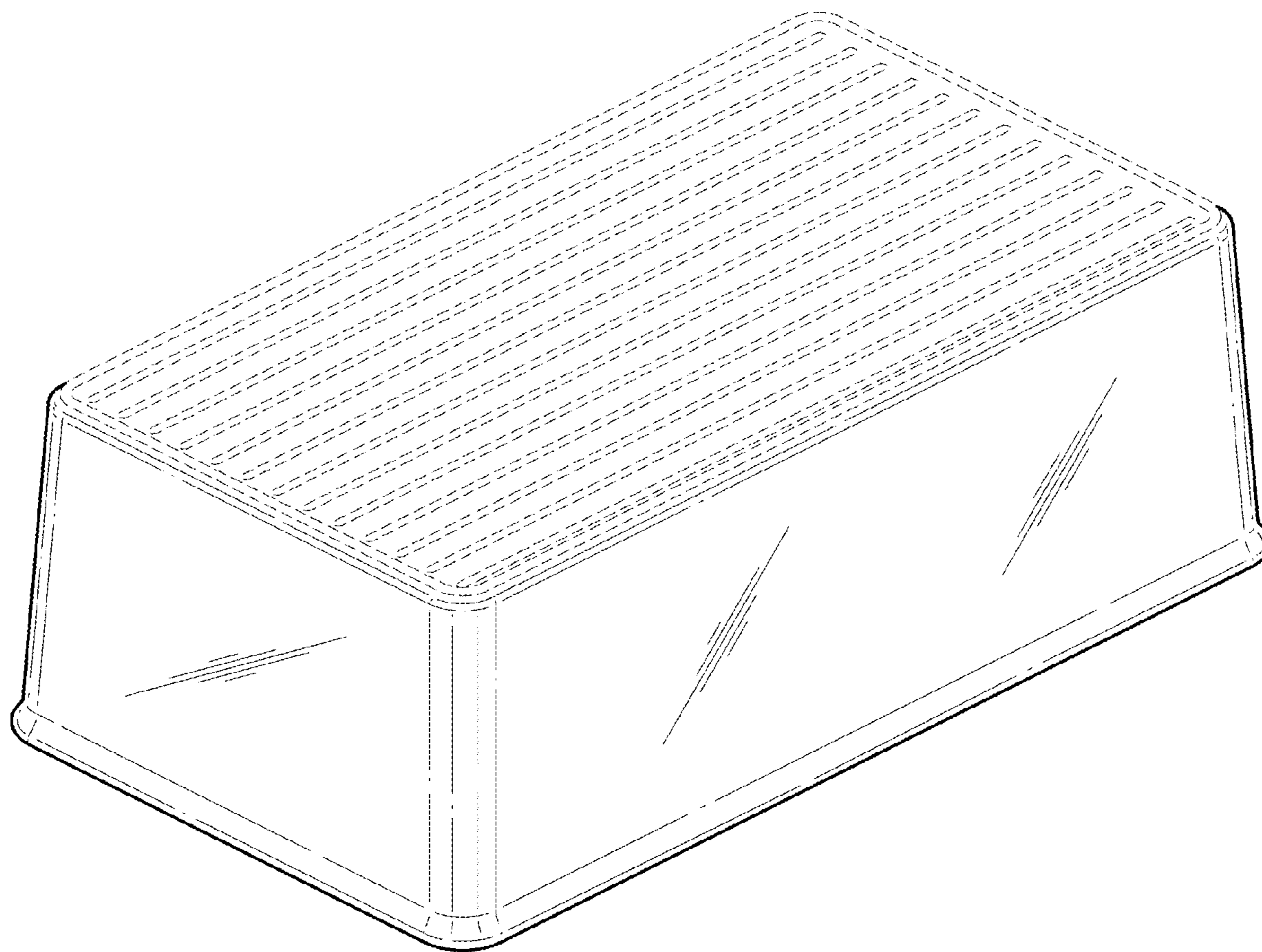
OTHER PUBLICATIONS

Amazon.ca, Site visited Jun. 28, 2022, Ultimate Guard Stack 'n' Safe Deck Box, First available Mar. 14, 2014, <https://www.amazon.ca/Ultimate-Guard-Stack-Safe-Cards/dp/B00BBYEAZ0> (Year: 2014).\*

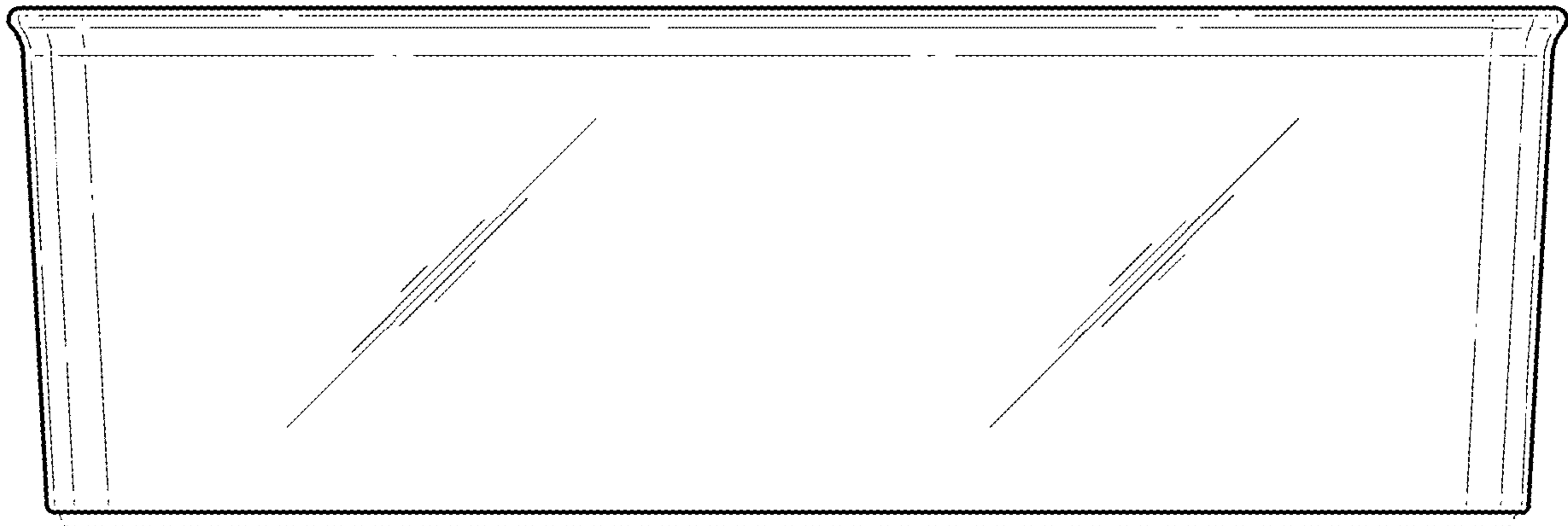
\* cited by examiner



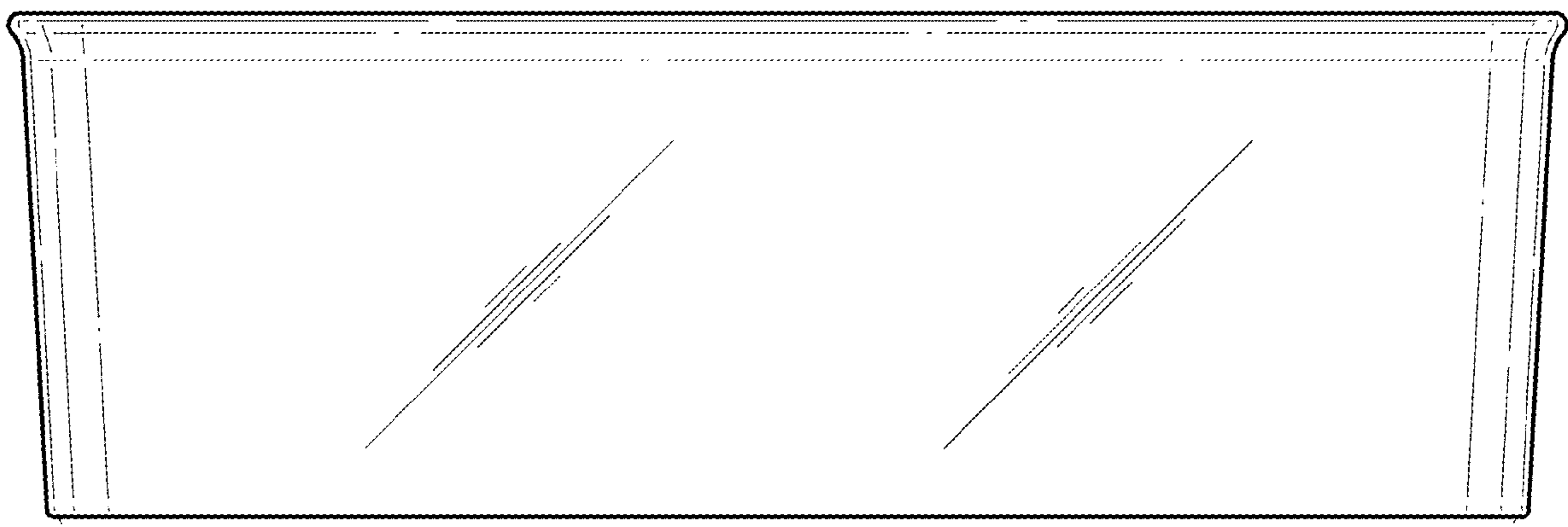
**FIG. 1**



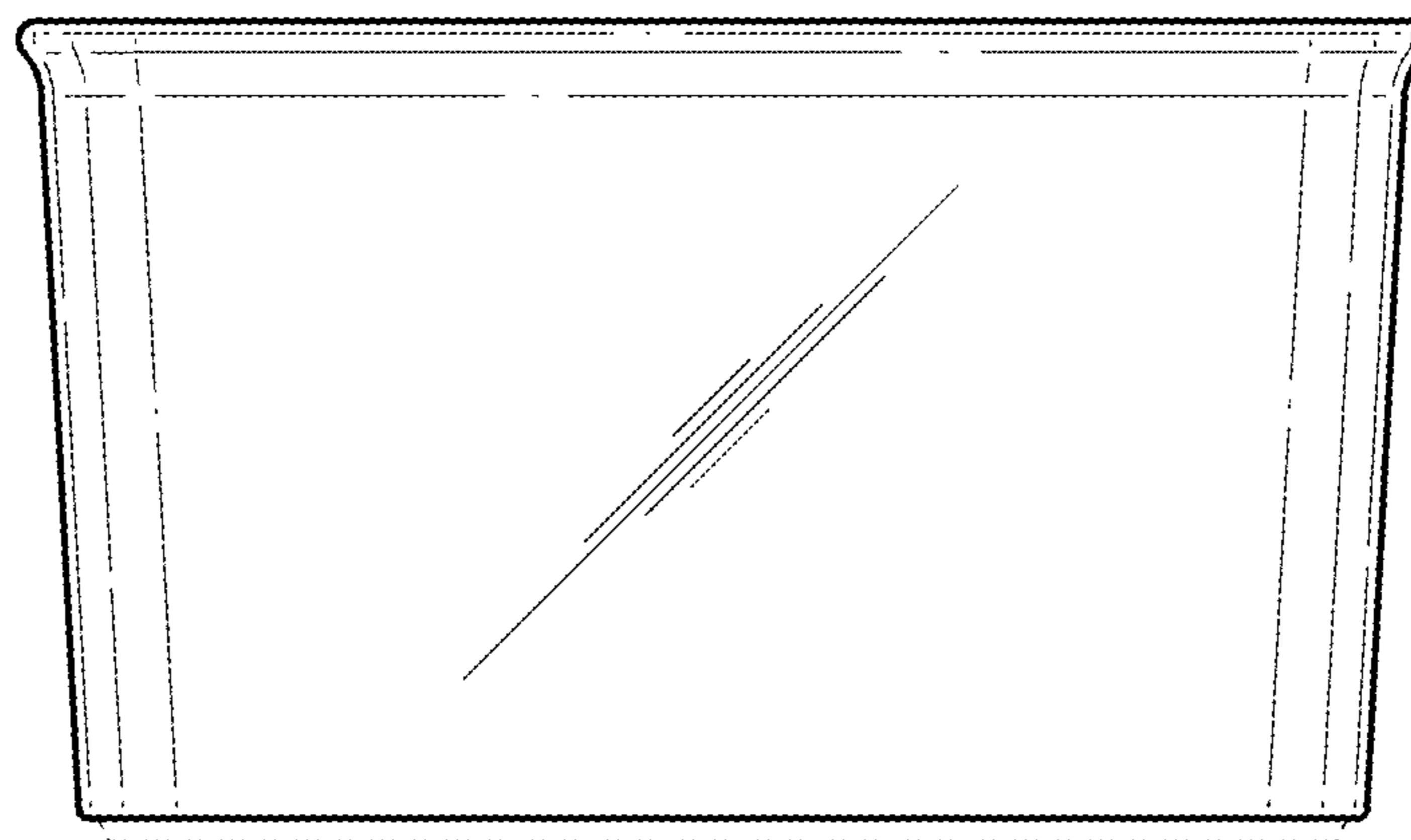
**FIG. 2**



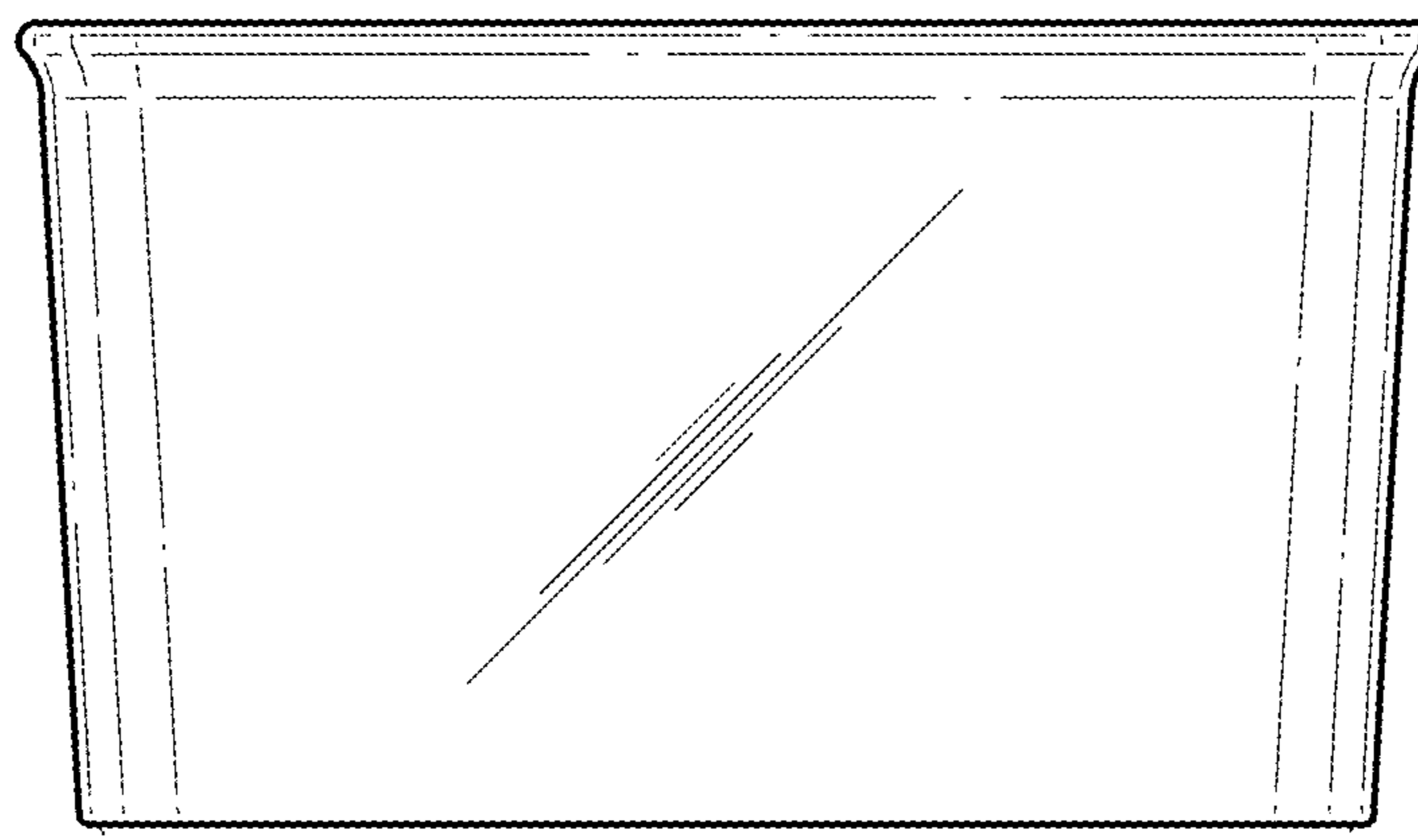
**FIG. 3**



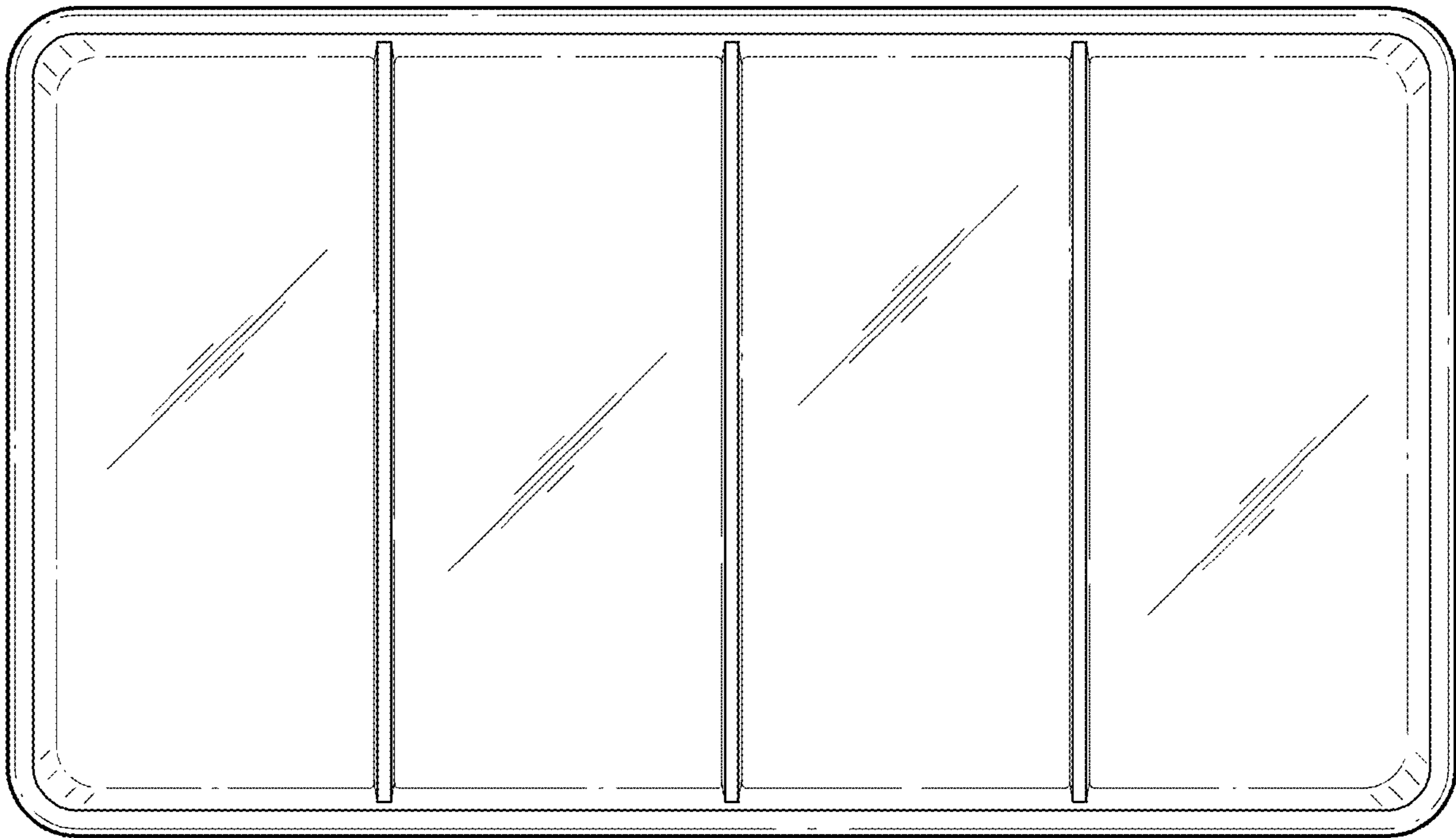
**FIG. 4**



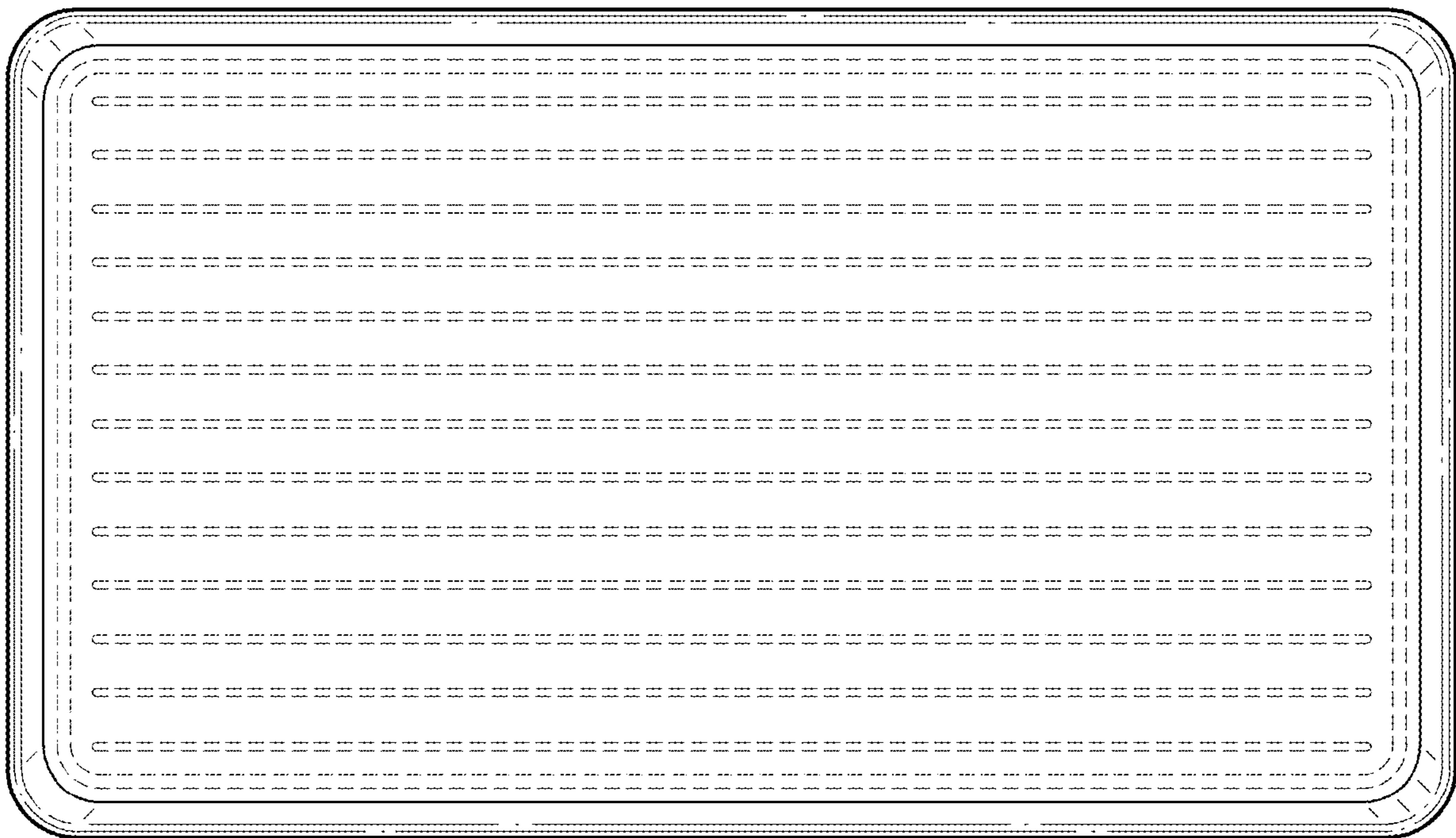
**FIG. 5**



**FIG. 6**



**FIG. 7**



**FIG. 8**