



US00D976002S

(12) **United States Design Patent**
Fang

(10) **Patent No.:** **US D976,002 S**
(45) **Date of Patent:** **** Jan. 24, 2023**

(54) **TOOL BOX**

FOREIGN PATENT DOCUMENTS

(71) Applicant: **SHENZHEN YOUFU TOOLS CO., LTD.**, Shenzhen (CN)

CA 98012 * 1/2003
CN 3015834 * 11/1992

(Continued)

(72) Inventor: **Changshui Fang**, Shenzhen (CN)

(73) Assignee: **SHENZHEN YOUFU TOOLS CO., LTD.**, Shenzhen (CN)

OTHER PUBLICATIONS

(**) Term: **15 Years**

Precision Screwdriver Set Magnetic, available at amazon.com, earliest date available Nov. 19, 2021 [online], site visited Oct. 14, 2022, available from the internet URL: <https://www.amazon.com/Precision-Screwdriver-Magnetic-Computer-Cellphone/dp/B09M897KHL/> (Year: 2021).*

(Continued)

(21) Appl. No.: **29/764,932**

(22) Filed: **Jan. 4, 2021**

(51) **LOC (14) Cl.** **03-01**

(52) **U.S. Cl.**
USPC **D3/294**

Primary Examiner — Tracey J Bell
Assistant Examiner — Jillian Mazzola

(58) **Field of Classification Search**

USPC D3/20, 200, 201, 203.1, 203.2, 203.3, D3/203.5, 203.6, 203.7, 203.8, 206, 207, D3/269, 272–276, 279–281, 283, 284, D3/288, 291, 294–297, 304, 318–323, D3/900–905; D7/601, 602, 609, 614, D7/701, 703, 387, 392, 393; D8/300, D8/303; D9/700, 721, 756–760, 904, D9/414, 420, 434, 435, 499; D12/423–426; D13/152, 184; D14/511, D14/134, 203.4; D18/3.2; D24/224–227, D24/229; D27/172, 186; D99/28
CPC B25H 3/00; B25H 3/003; B25H 3/006; B25H 3/02; B25H 3/021; B25H 3/022; B25H 3/023; B65D 67/00; B65D 67/02; B65D 69/00; B65D 81/00; B65D 81/02; B65D 81/022; B65D 88/00; B65D 88/005; B65D 88/02; B65D 88/022; B65G 1/02

See application file for complete search history.

(57) **CLAIM**

The ornamental design for a tool box, as shown and described.

DESCRIPTION

FIG. 1 is a perspective view of a tool box showing my new design;
FIG. 2 is another perspective view thereof;
FIG. 3 is a front elevational view thereof;
FIG. 4 is a rear elevational view thereof;
FIG. 5 is a left side elevational view thereof;
FIG. 6 is a right side elevational view thereof;
FIG. 7 is a top plan view thereof;
FIG. 8 is a bottom plan view thereof; and,
FIG. 9 is an enlarged view of portion 9 shown in FIG. 1.
The broken lines in the drawings depict portions of the tool box that form no part of the claimed design. The dot-dash broken lines encircling portions of the tool box in FIG. 1 and the enlarged view in FIG. 9 form no part of the claimed design.

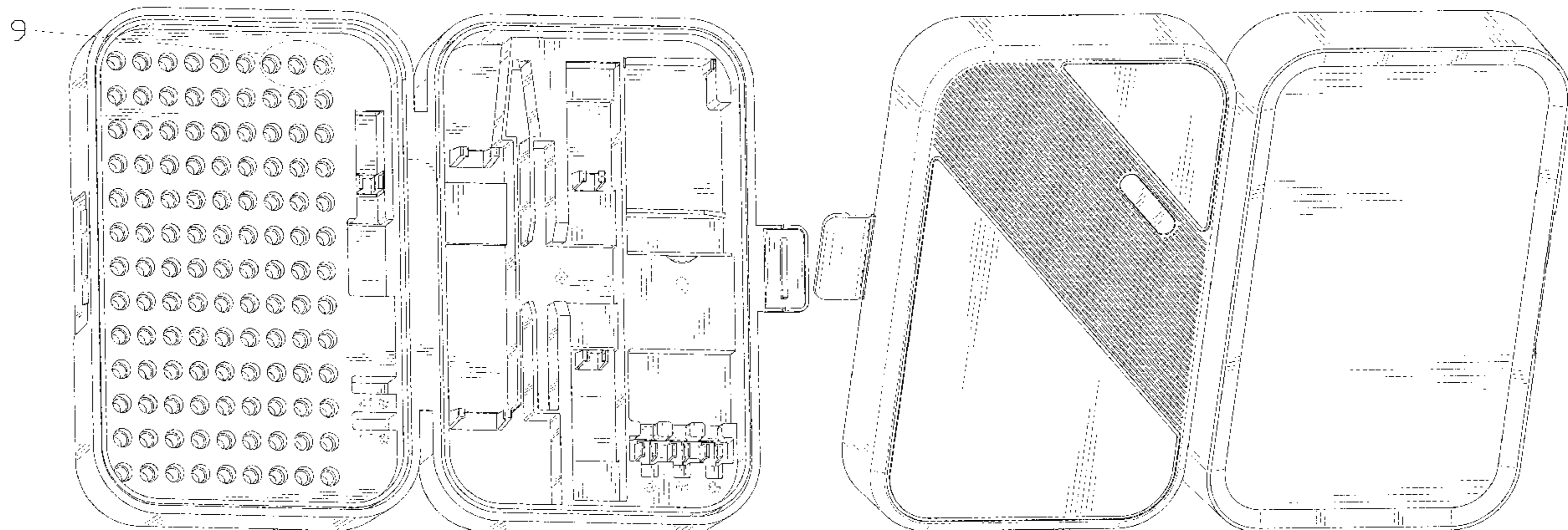
(56) **References Cited**

U.S. PATENT DOCUMENTS

D205,580 S * 8/1966 Schurman D3/905
D322,891 S * 1/1992 Samuelson D3/206

(Continued)

1 Claim, 9 Drawing Sheets



(56)

References Cited

U.S. PATENT DOCUMENTS

5,114,007 A * 5/1992 Chen B25H 3/028
 312/902
 D331,663 S * 12/1992 Roncato D3/292
 D357,117 S * 4/1995 Huang D3/276
 D363,509 S * 10/1995 Parekh D19/83
 D374,988 S * 10/1996 Hillinger D3/273
 D379,562 S * 6/1997 Carter D3/295
 D380,611 S * 7/1997 Mancusi D13/119
 D391,760 S * 3/1998 Zeller D3/276
 D394,554 S * 5/1998 Mann D3/323
 D455,263 S * 4/2002 Schoen D3/276
 D458,751 S * 6/2002 Hsieh D3/273
 D467,429 S * 12/2002 Bone D3/294
 D469,955 S * 2/2003 Lauer D3/273
 D529,288 S * 10/2006 Ham D3/274
 D579,201 S * 10/2008 Galli D3/273
 D602,692 S * 10/2009 Wu D3/282
 D702,438 S * 4/2014 Chen D3/294
 D709,699 S * 7/2014 Hsu D3/905
 D806,389 S * 1/2018 Muhlenkamp, IV D3/295
 D838,487 S * 1/2019 Lai D3/319
 D932,187 S * 10/2021 Ye D3/294
 2006/0186007 A1 * 8/2006 Dost B25H 3/003
 206/379

FOREIGN PATENT DOCUMENTS

CN 3122111 * 9/1999
 CN 307574511 * 9/2022

OTHER PUBLICATIONS

Rartop Upgraded Precision Screwdriver Set, available at amazon.com, earliest date available Mar. 7, 2022 [online], site visited Oct. 14, 2022, available from the internet URL: <https://www.amazon.com/RARTOP-Upgraded-Precision-Screwdriver-Electronics/dp/B09TZVKSCH?th=1> (Year: 2022).*

Zestaw wkrętek 130, available at aliexpress.us, earliest customer review date Apr. 19, 2022 [online], site visited Oct. 14, 2022, available from the internet URL: <https://www.aliexpress.us/item/3256802131233849.html> (Year: 2022).*

Precision Screwdriver Set, available at amazon.com, earliest date available Dec. 16, 2021 [online], site visited Oct. 14, 2022, available from the internet URL: <https://www.amazon.com/dp/B09L5XWCNY/> (Year: 2021).*

135 w 1 S2 zestaw, available at amazon.com, earliest customer review date Apr. 19, 2022 [online], site visited Oct. 14, 2022, available from the internet URL: <https://www.aliexpress.us/item/2255800937543225.html> (Year: 2022).*

KerKoor Screwdriver Set, available at amazon.com, earliest date available Oct. 21, 2019 [online], site visited Oct. 14, 2022, available from the internet URL: <https://www.amazon.com/Professional-Precision-Screwdriver-Set-Magnetic/dp/B07ZD3WSL4?th=1> (Year: 2019).*

* cited by examiner

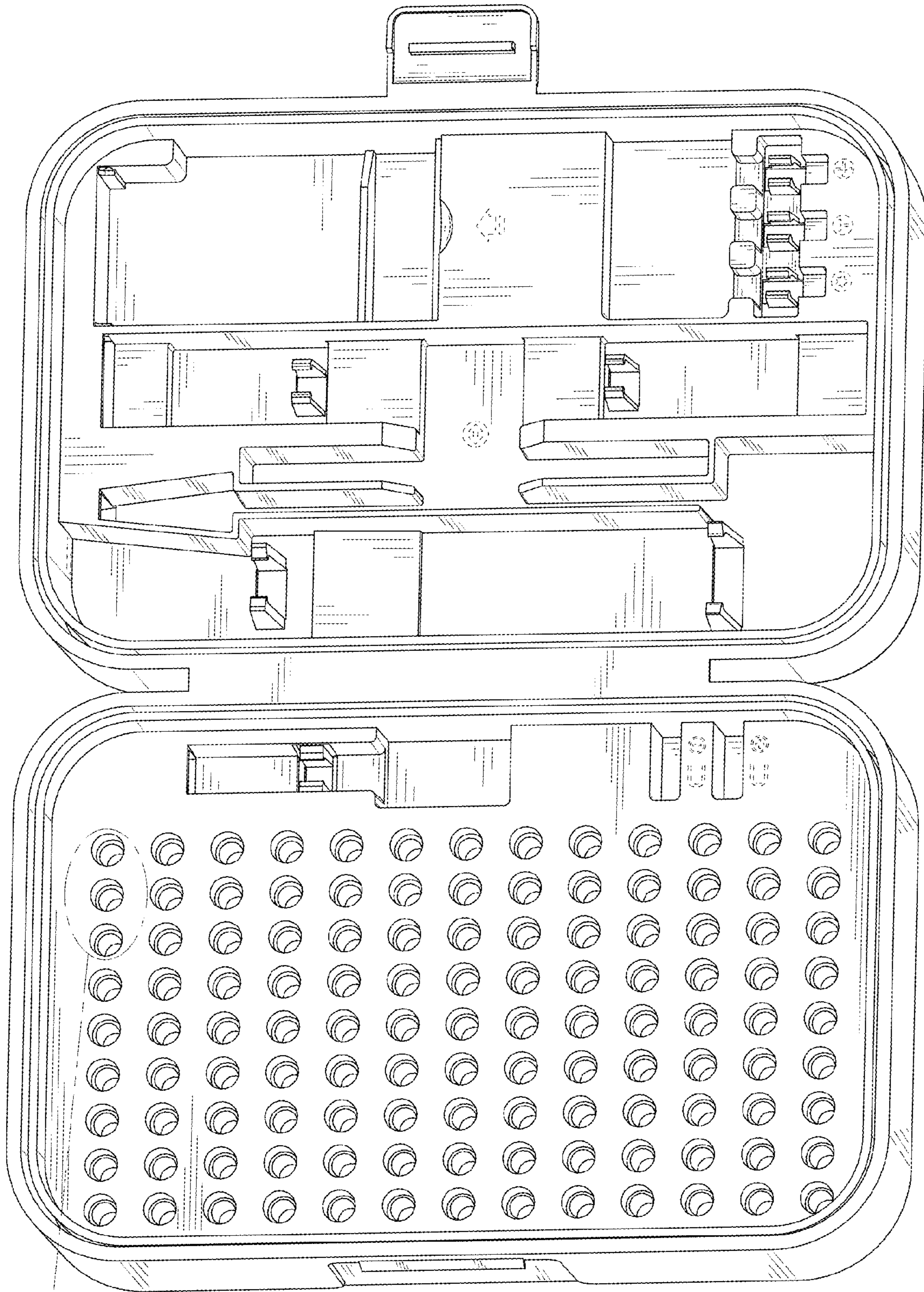


FIG. 1

9

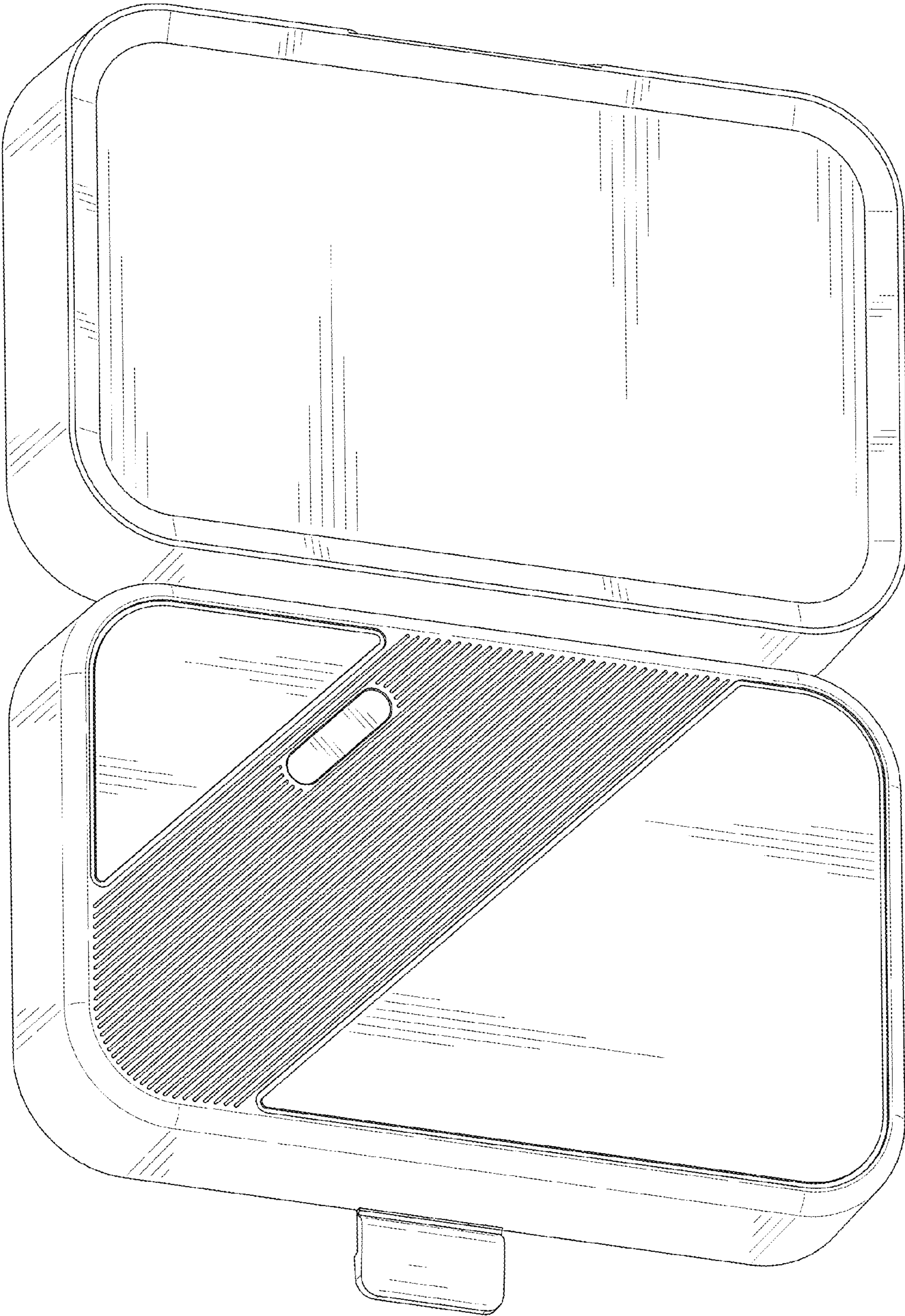


FIG. 2

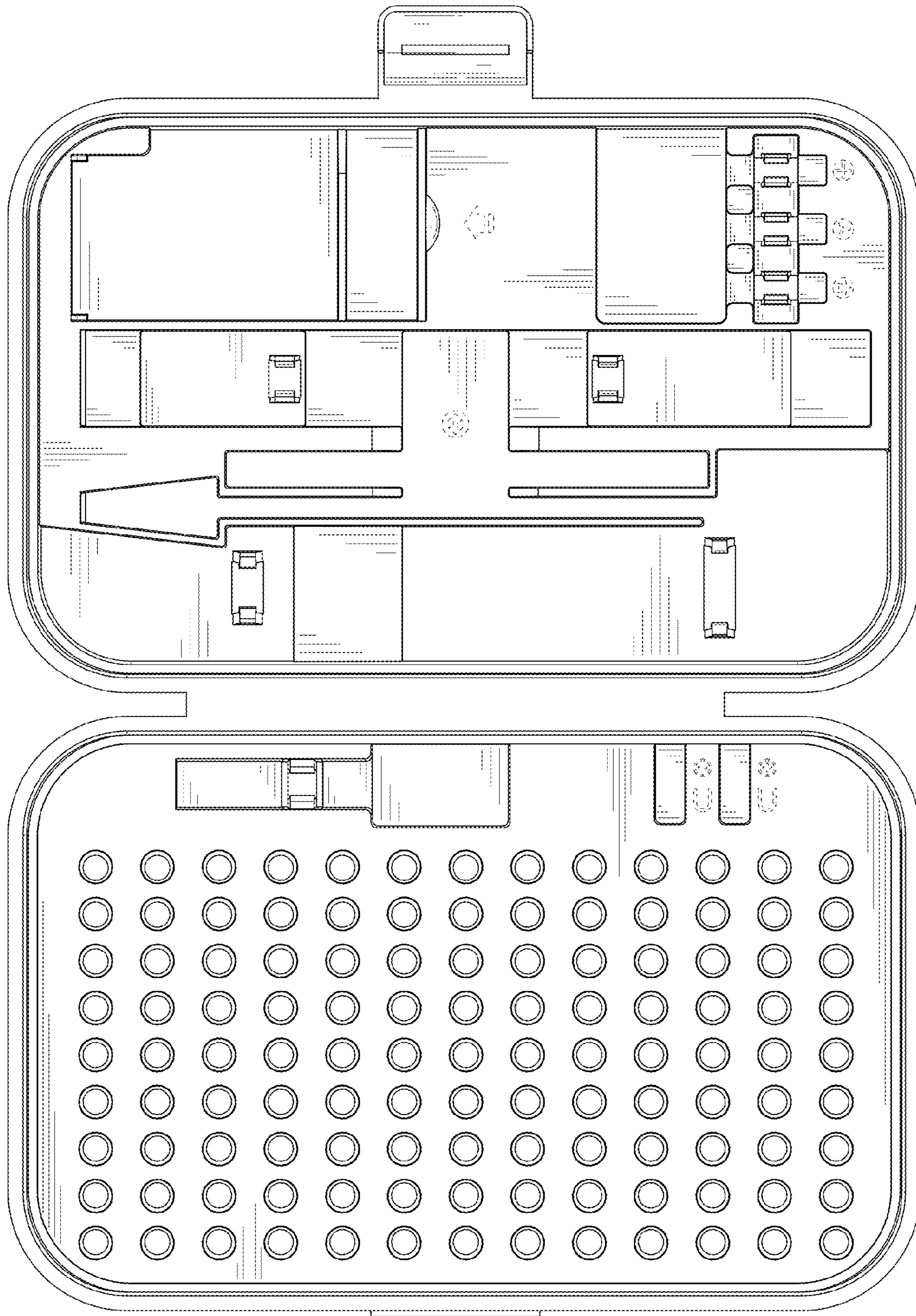


FIG. 3

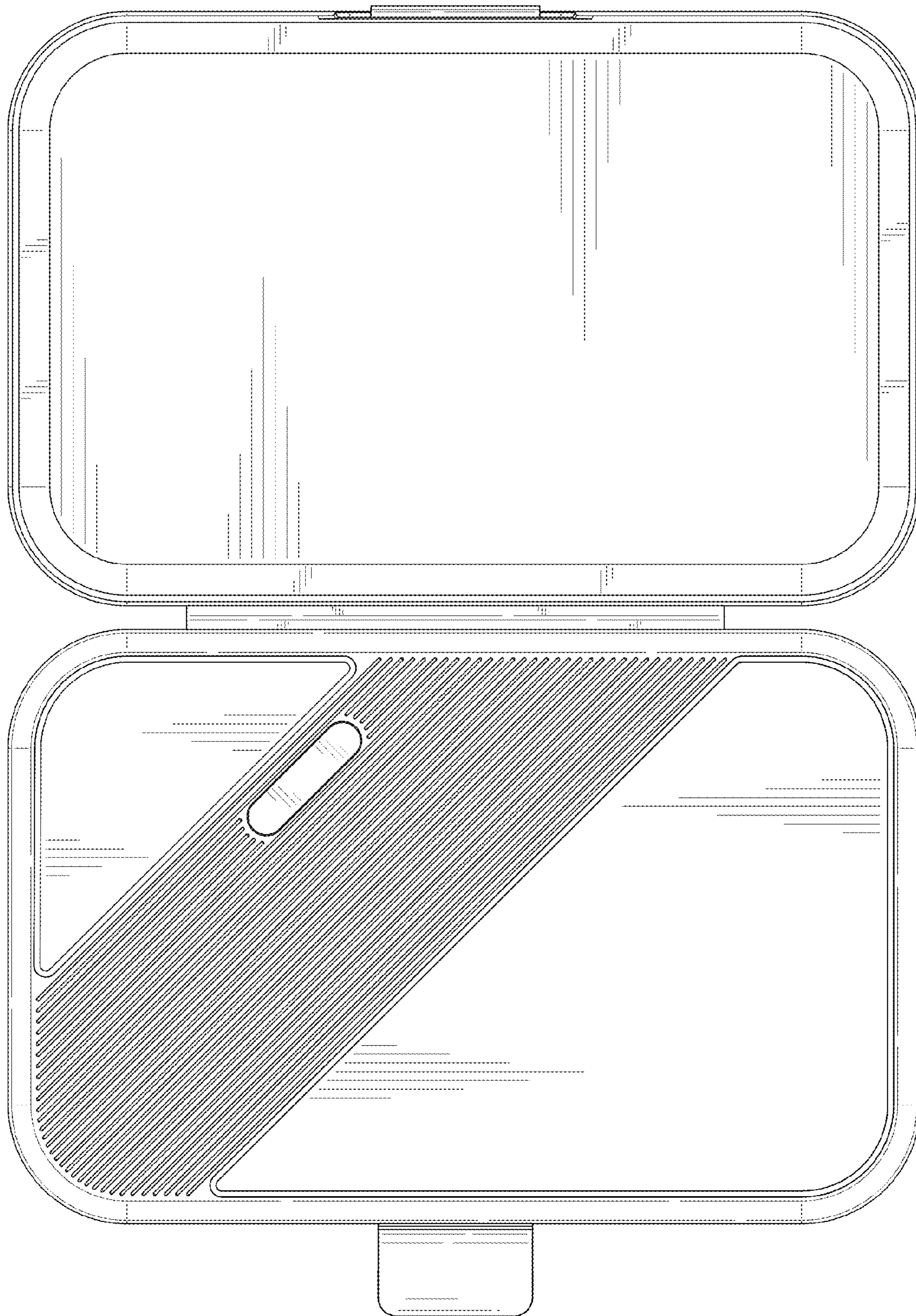


FIG. 4

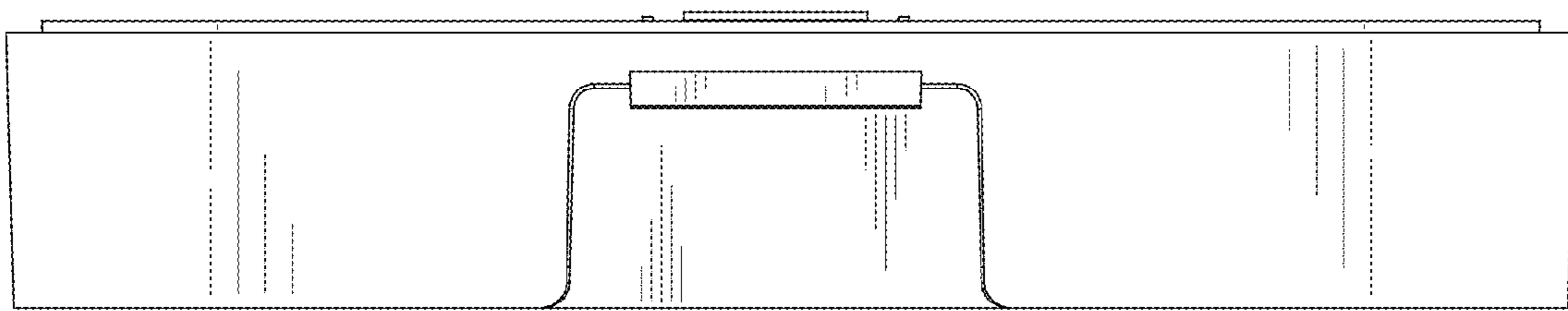


FIG. 5

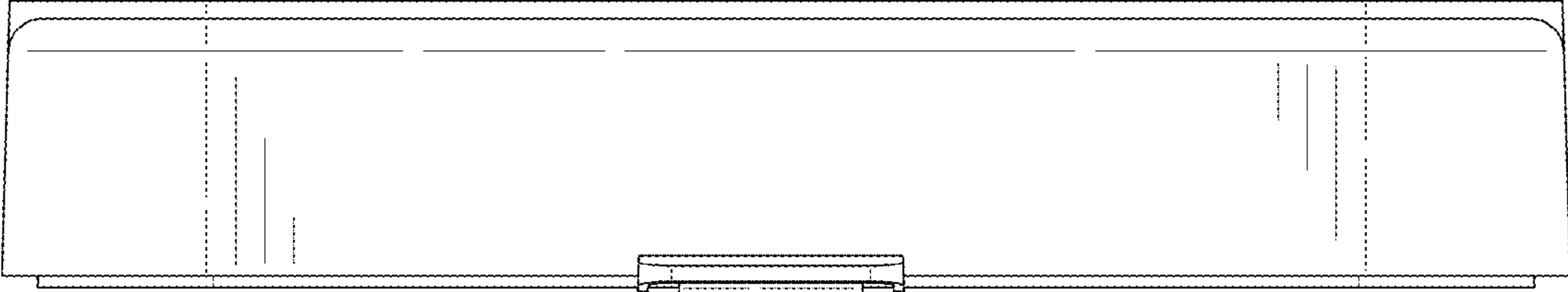


FIG. 6

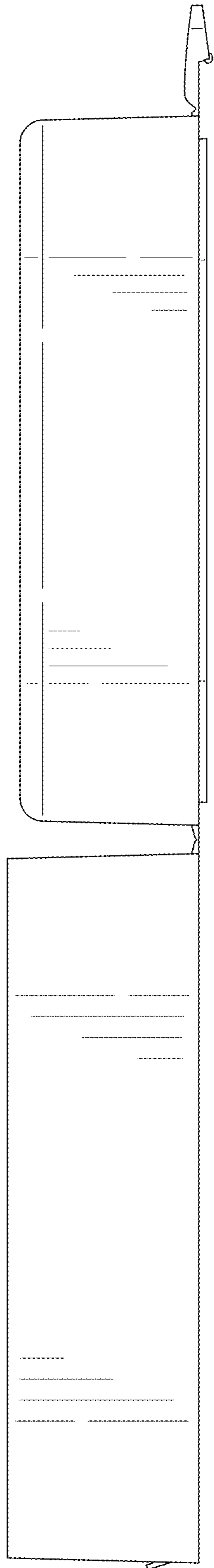


FIG. 7

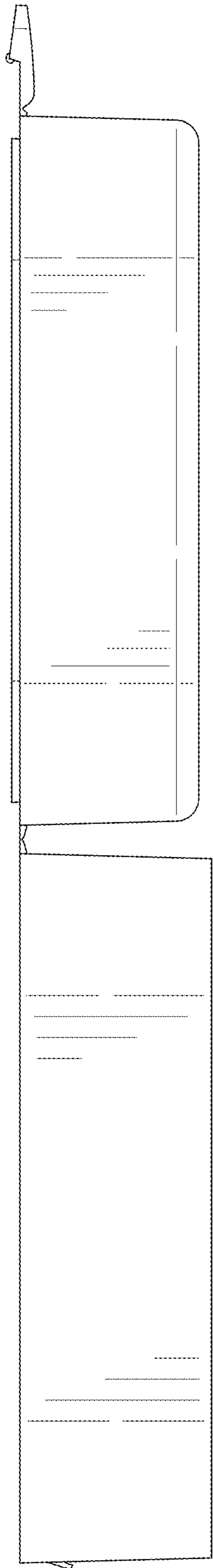


FIG. 8

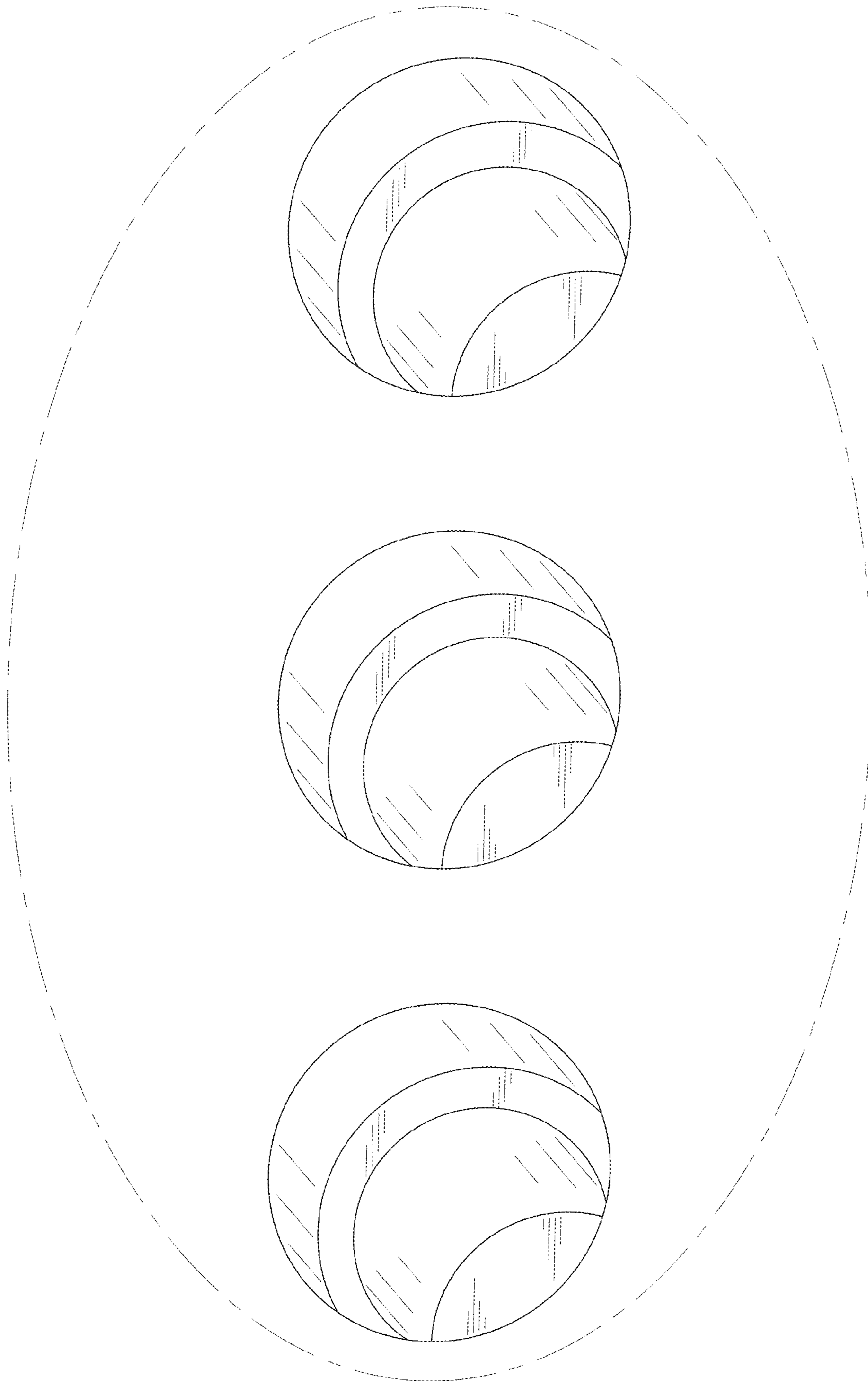


FIG. 9