



US00D976001S

(12) **United States Design Patent**
Chiu et al.

(10) **Patent No.:** **US D976,001 S**
(45) **Date of Patent:** **** Jan. 24, 2023**

(54) **BOX FOR TRANSPORTING BOARDS**

(56)

References Cited

(71) Applicant: **GUDENG PRECISION INDUSTRIAL CO., LTD.**, New Taipei (TW)

U.S. PATENT DOCUMENTS

(72) Inventors: **Ming-Chien Chiu**, New Taipei (TW);
Yung-Chin Pan, New Taipei (TW);
Wei-Chien Liu, New Taipei (TW);
Tzu-Ning Huang, New Taipei (TW)

9,097,980 B2 * 8/2015 Ku G03F 1/66
10,103,045 B2 * 10/2018 Liu G03F 1/66
2021/0195817 A1 * 6/2021 Kuroda H05K 13/0857

* cited by examiner

Primary Examiner — April Rivas

(73) Assignee: **GUDENG PRECISION INDUSTRIAL CO., LTD.**, New Taipei (TW)

(57)

CLAIM

(**) Term: **15 Years**

The ornamental design for a box for transporting boards, as shown and described.

(21) Appl. No.: **29/758,229**

DESCRIPTION

(22) Filed: **Nov. 13, 2020**

(30) **Foreign Application Priority Data**

Aug. 19, 2020 (TW) 109304662

(51) **LOC (14) Cl.** **03-01**

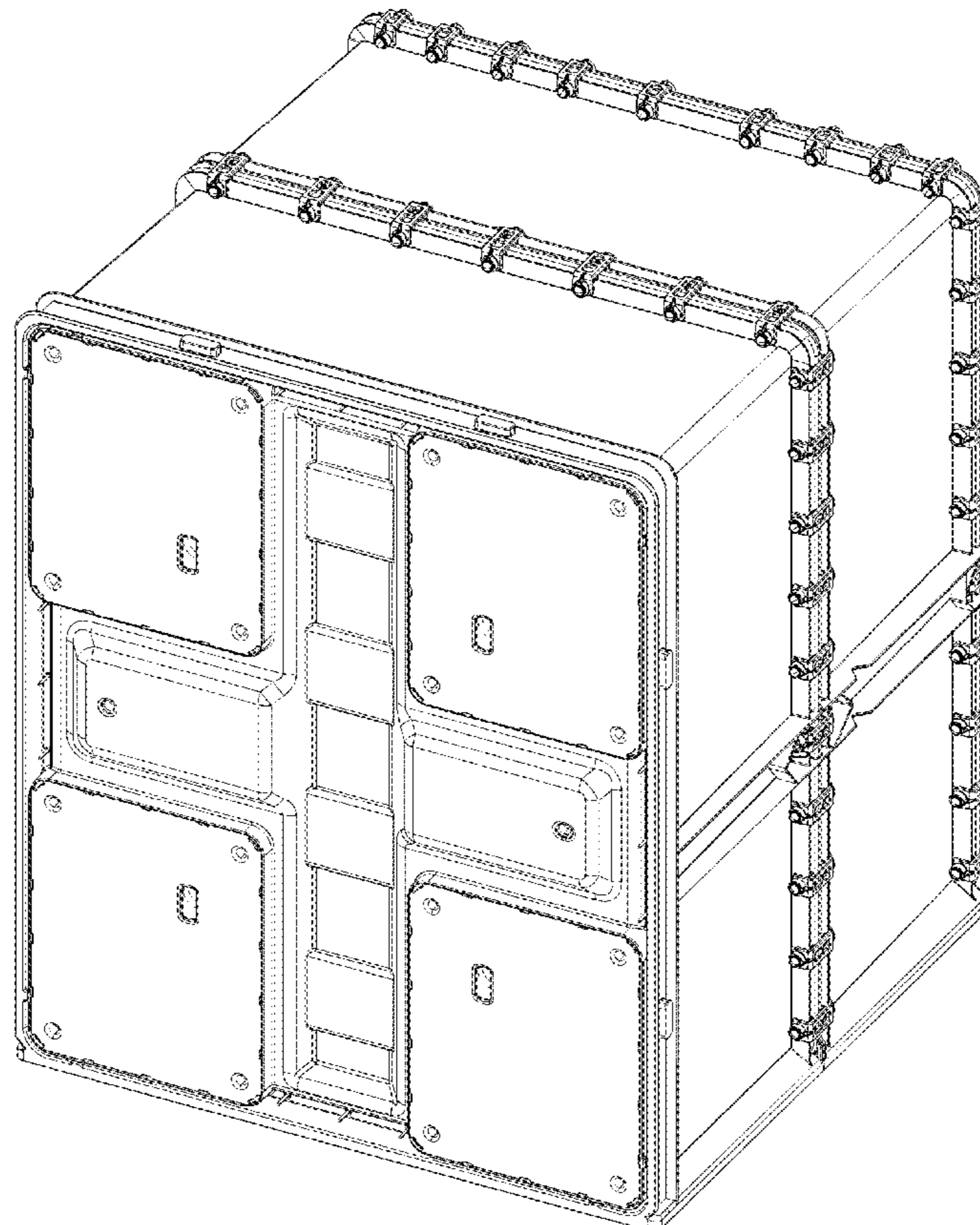
(52) **U.S. Cl.**
USPC **D3/272**

(58) **Field of Classification Search**
USPC D3/272; D12/413; D23/202
CPC B65D 88/128; B65D 88/12; B65D 88/30;
B65D 19/38; B62D 25/00; B62D 6/00;
A47G 29/12

FIG. 1 is a perspective view of a box for transporting boards showing my new design;
FIG. 2 is a front elevation view thereof;
FIG. 3 is a rear elevation view thereof;
FIG. 4 is a left side elevation view thereof;
FIG. 5 is a right side elevation view thereof;
FIG. 6 is a top plan view thereof;
FIG. 7 is a bottom plan view thereof; and,
FIG. 8 is another perspective view of FIG. 1.
The broken lines illustrate portions of box for transporting boards and form no part of the claimed design.

See application file for complete search history.

1 Claim, 8 Drawing Sheets



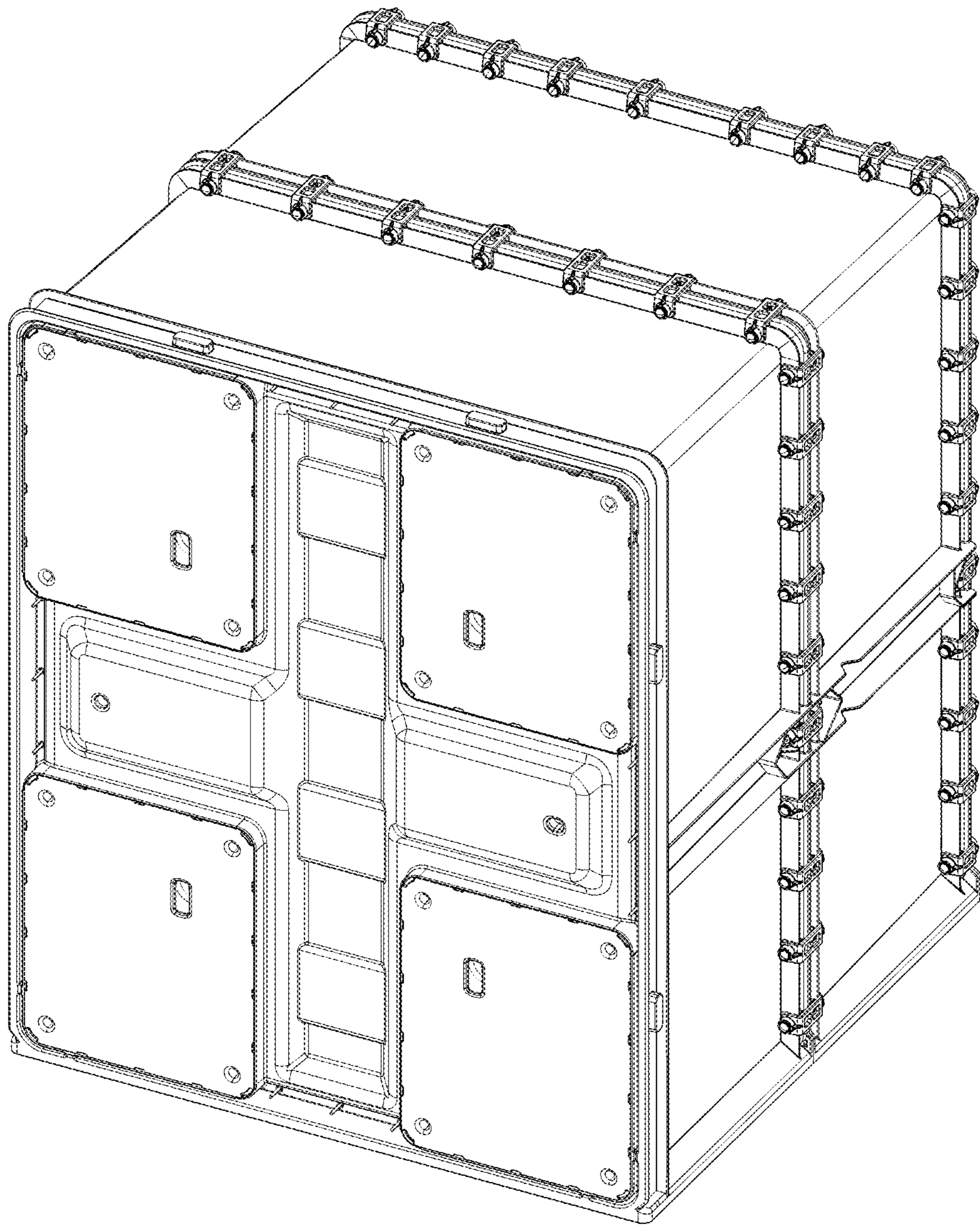


FIG. 1

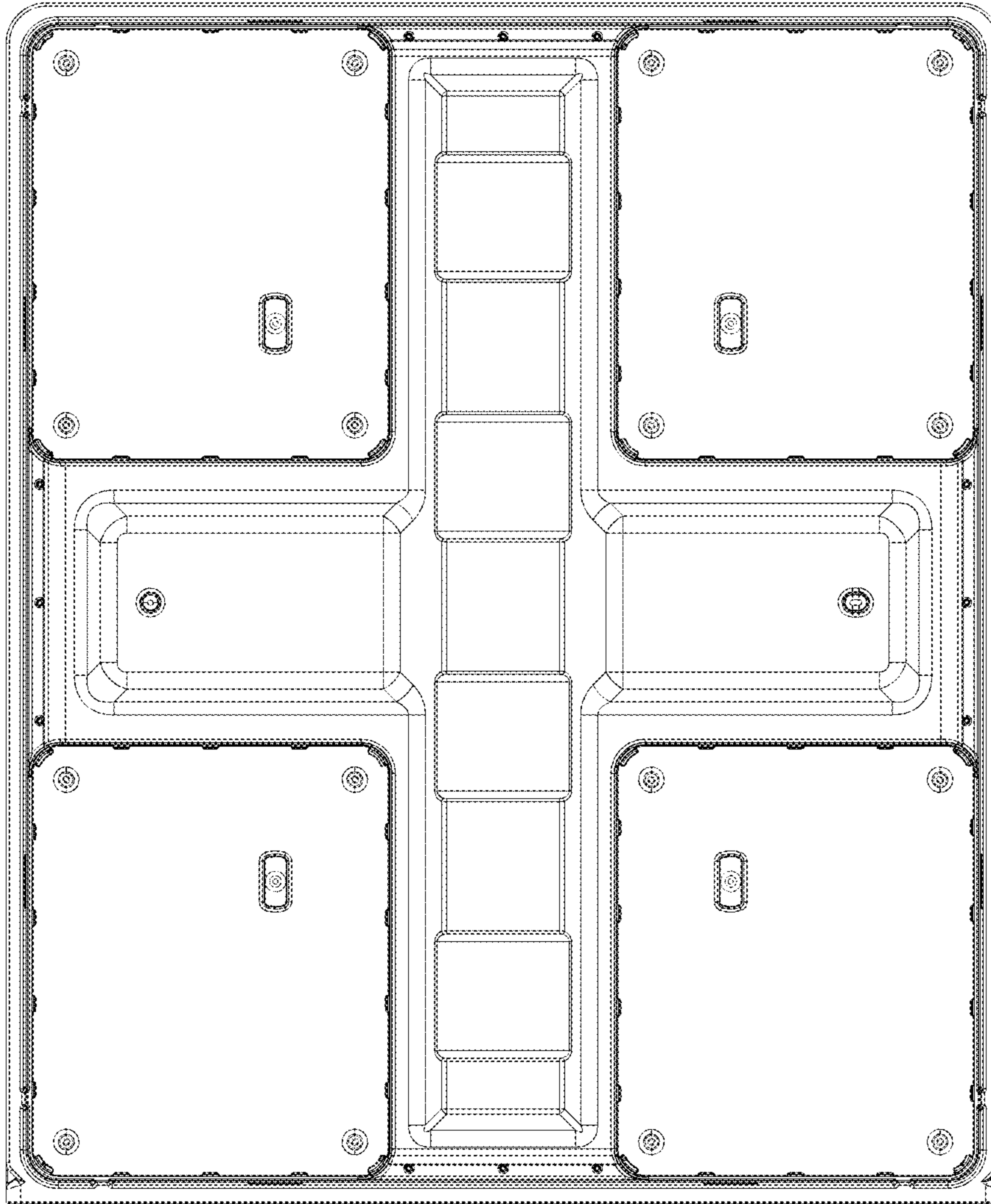


FIG. 2

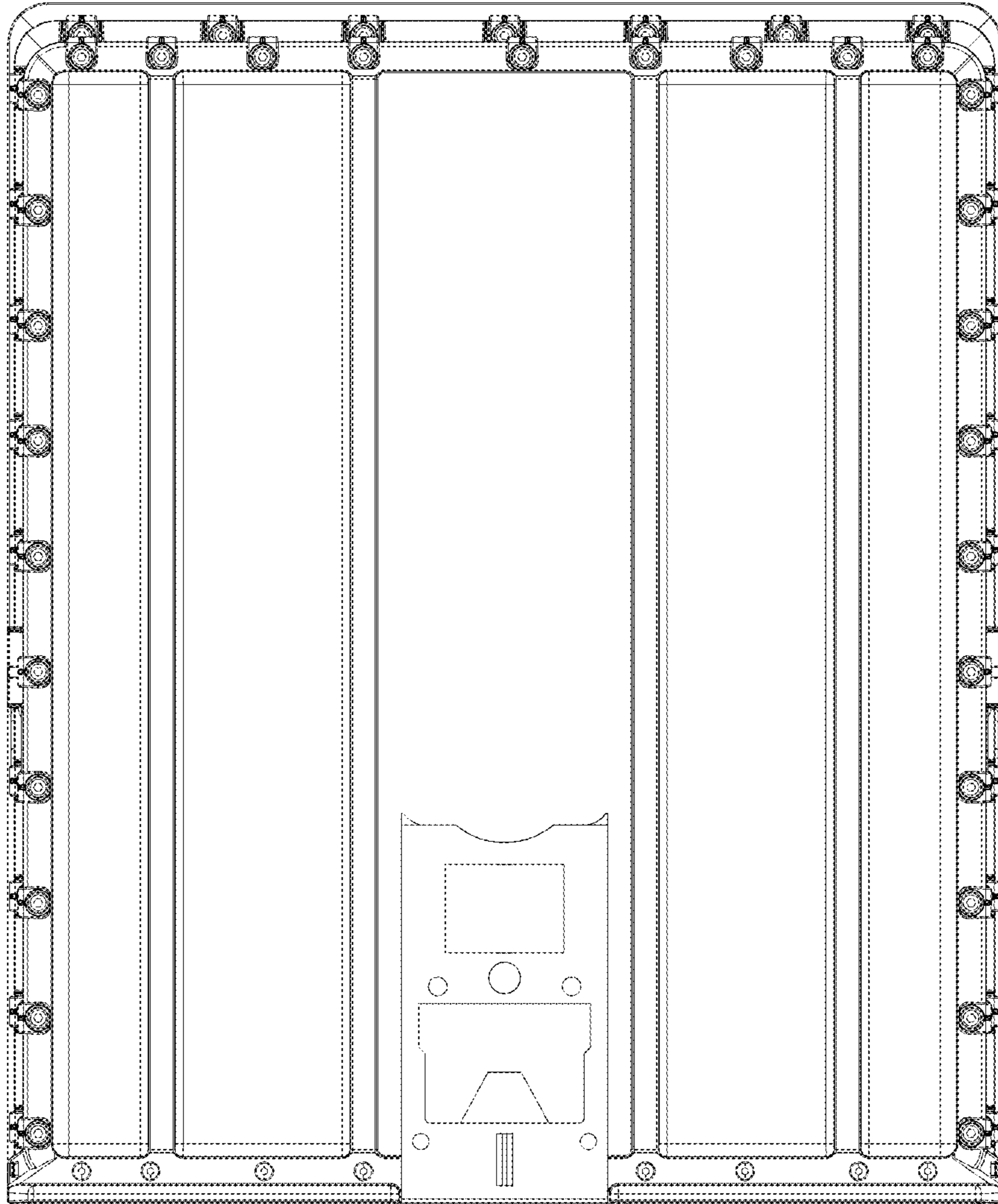


FIG. 3

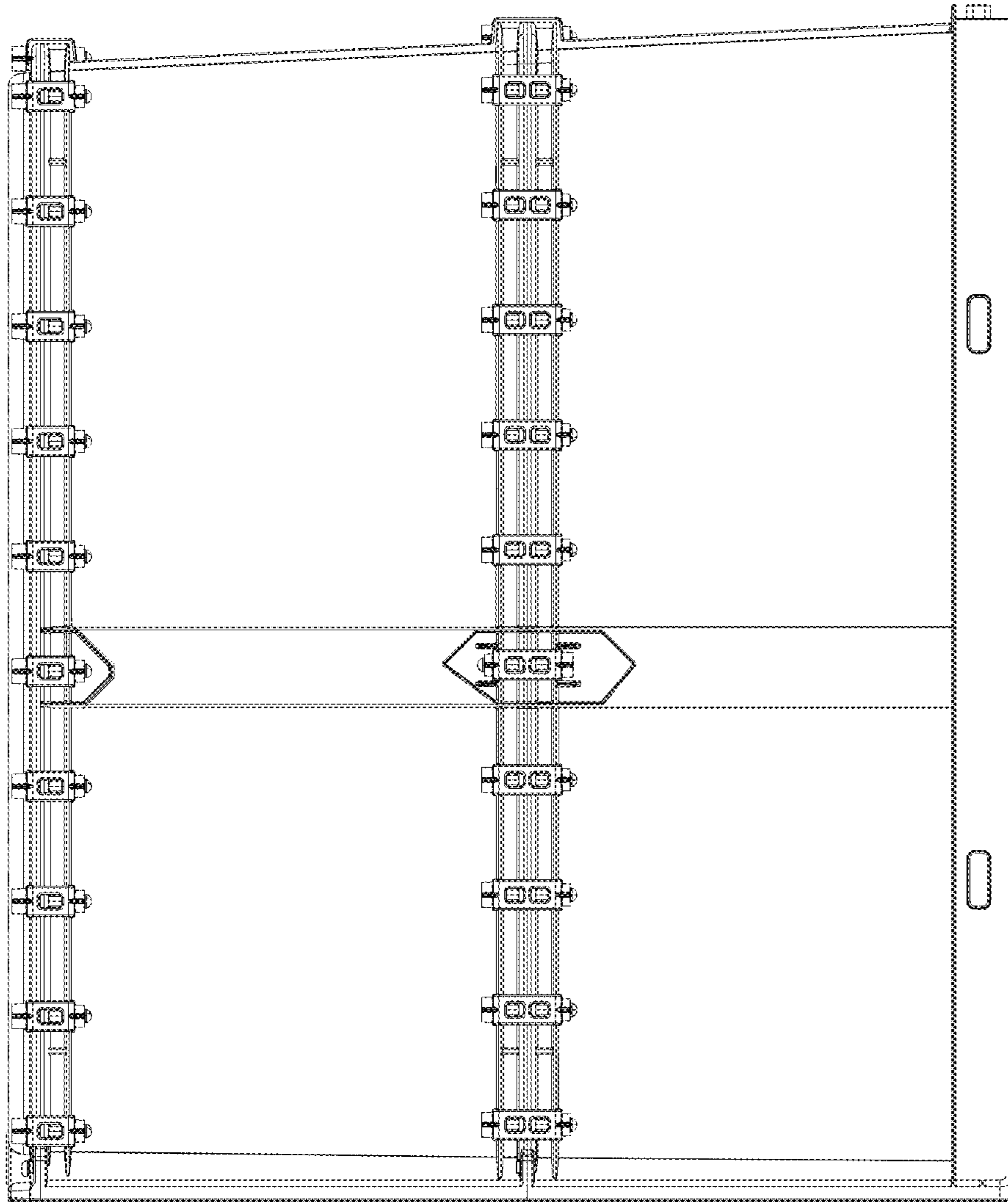


FIG. 4

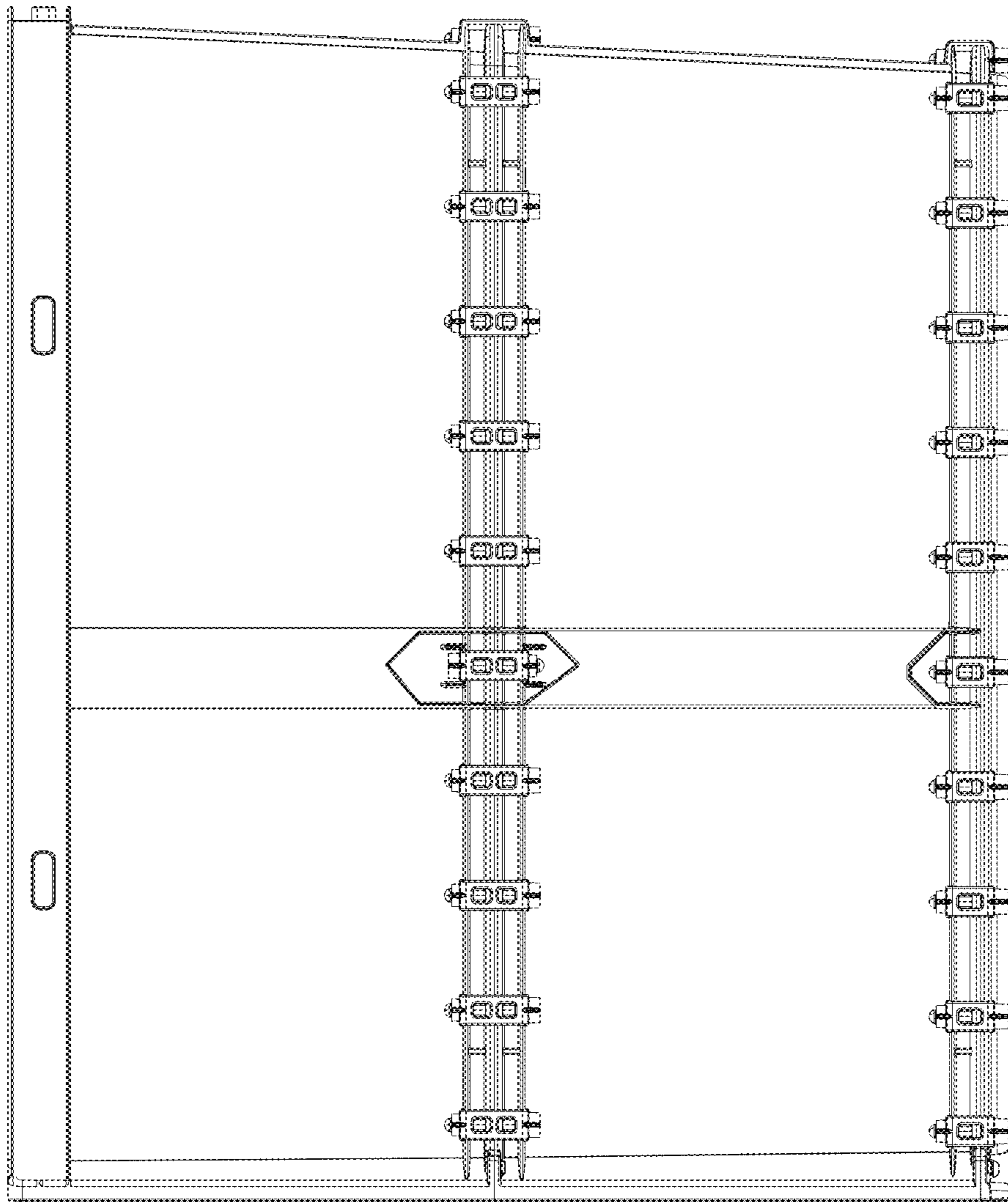


FIG. 5

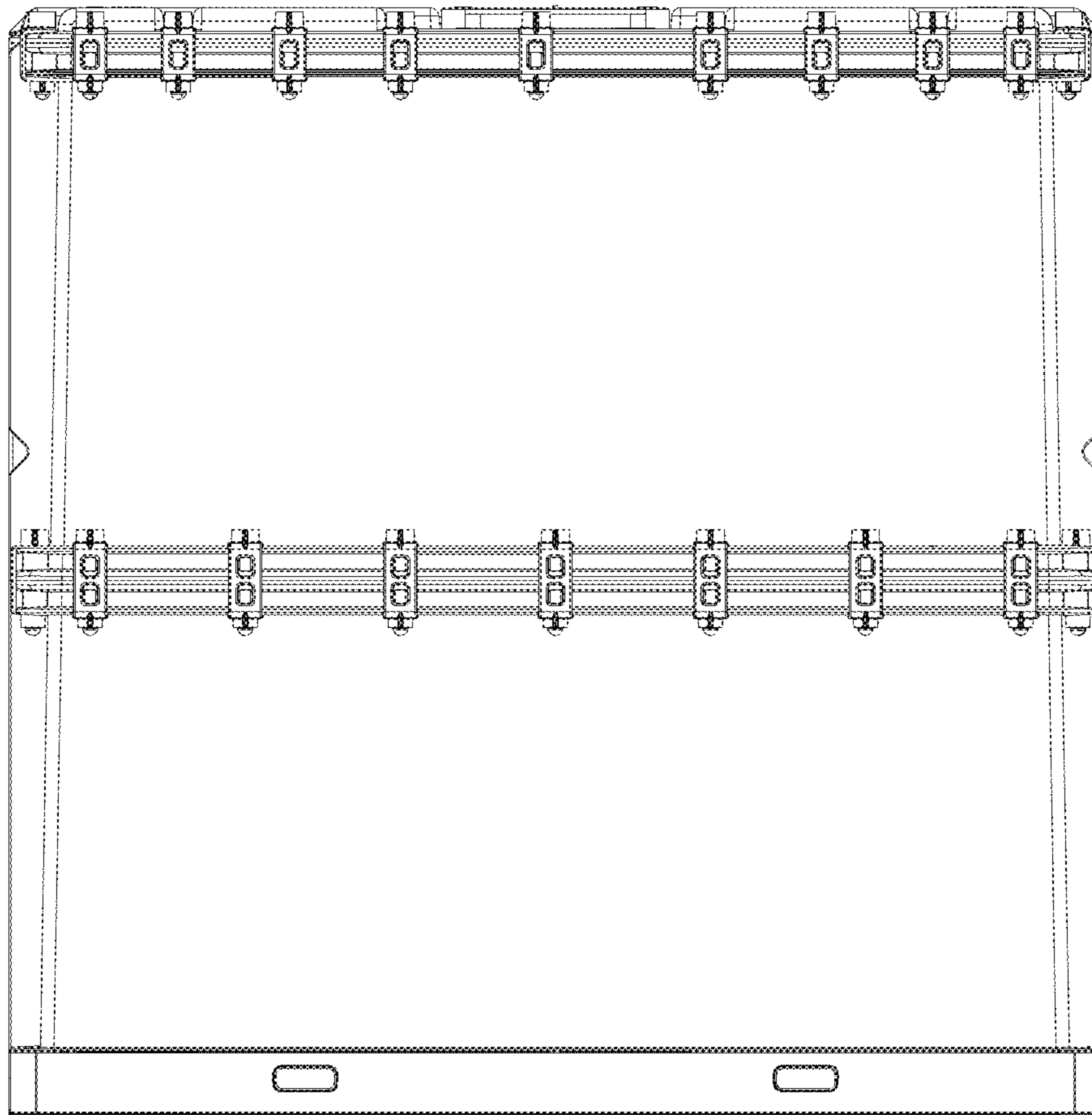


FIG. 6

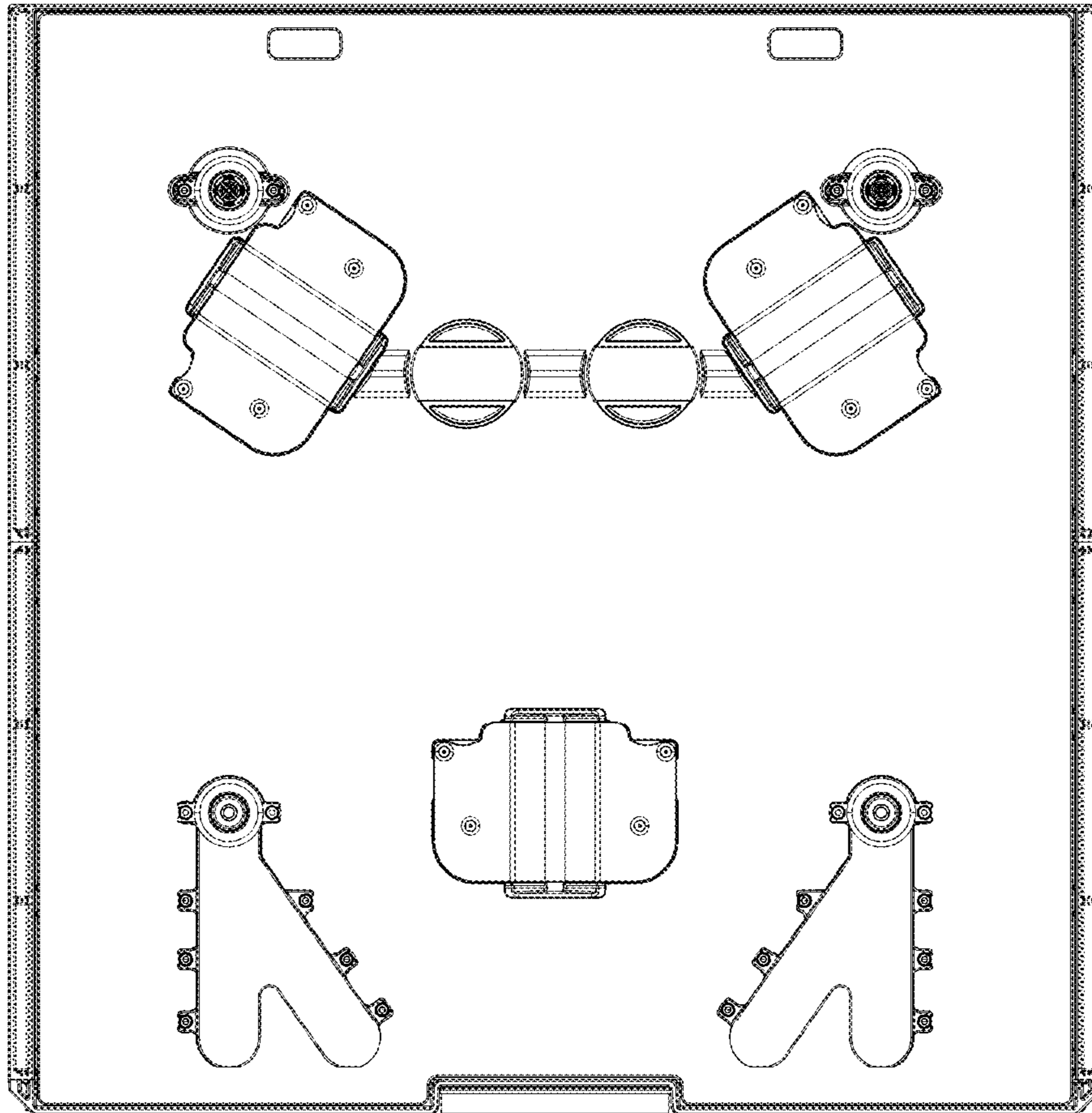


FIG. 7

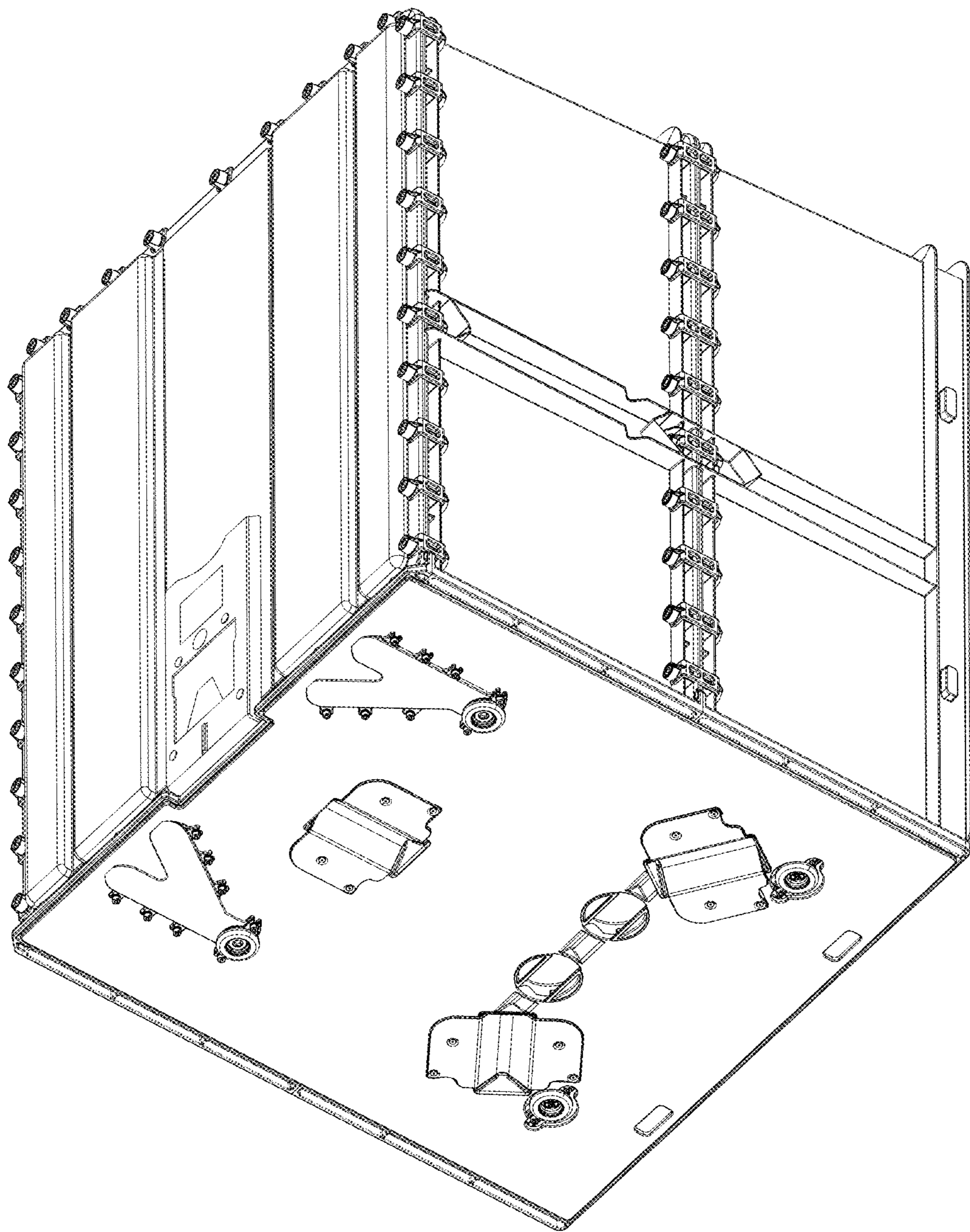


FIG. 8