



US00D976000S

(12) **United States Design Patent**
Hernandez

(10) **Patent No.:** **US D976,000 S**

(45) **Date of Patent:** **** Jan. 24, 2023**

(54) **PROTECTIVE SHOE ENCLOSURE**

(71) Applicant: **Delvys Hernandez**, Orlando, FL (US)

(72) Inventor: **Delvys Hernandez**, Orlando, FL (US)

(**) Term: **15 Years**

(21) Appl. No.: **29/672,501**

(22) Filed: **Dec. 6, 2018**

(51) **LOC (14) Cl.** **03-01**

(52) **U.S. Cl.**

USPC **D3/269**; D2/897; D2/999

(58) **Field of Classification Search**

USPC D2/896-897, 902-906, 909, 910, 914,

D2/915, 986, 999; D3/259, 261, 269,

D3/270, 271.4, 271.1, 300, 303, 315, 317

CPC .. A41D 17/00; A43B 3/16; A43B 5/18; A43B

5/0425; A45C 11/00; A45C 2003/007

See application file for complete search history.

(56) **References Cited**

U.S. PATENT DOCUMENTS

D251,575 S *	4/1979	Molinari	D3/238
D266,970 S *	11/1982	Lilbob	D3/200
D287,548 S *	1/1987	Kraynack-Simon	D3/269
D322,513 S *	12/1991	Berger	A45C 7/0077
			D2/912
D339,680 S *	9/1993	Hodges, Jr.	D2/912
D344,626 S *	3/1994	Landa	D3/271.4
D367,173 S *	2/1996	Trihus	D3/217
5,564,539 A *	10/1996	Duensing	A45C 7/0077
			190/103
D398,447 S *	9/1998	Lalani	D3/261

D433,795 S *	11/2000	Bagaria	D2/897
D472,464 S *	4/2003	Snider	D3/294
D547,063 S *	7/2007	Soetardjo	D3/289
D578,763 S *	10/2008	Walker	D3/231
D683,961 S *	6/2013	Middleton	D3/269
D687,635 S *	8/2013	Choi	D3/317
D708,256 S *	7/2014	Arefieg	D19/69
D886,450 S *	6/2020	Leaks, Jr.	D3/269

* cited by examiner

Primary Examiner — Rashida C. Walshon

(74) *Attorney, Agent, or Firm* — Jason T. Daniel, Esq.;
Daniel Law Offices, P.A.

(57) **CLAIM**

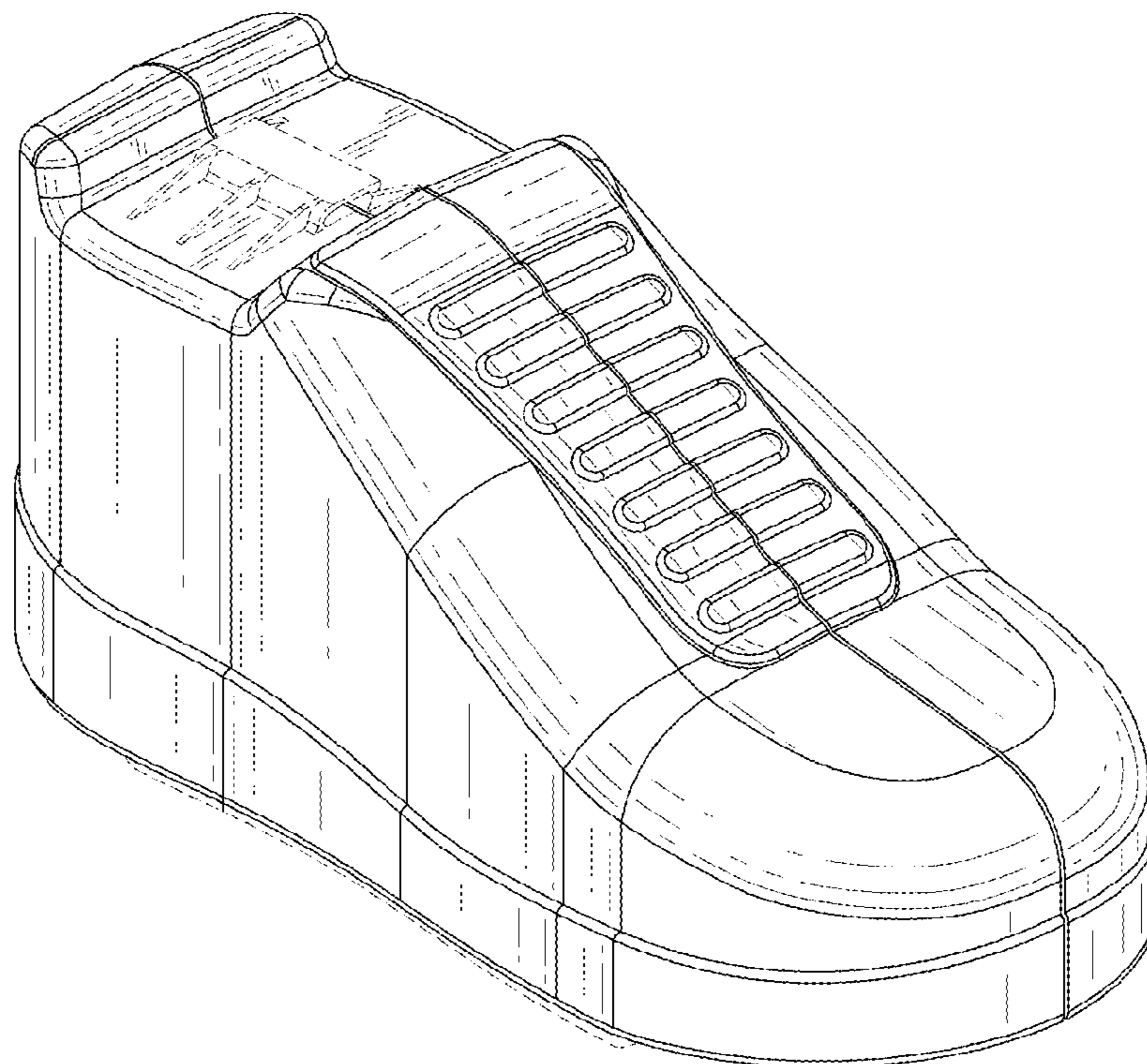
The ornamental design for a protective shoe enclosure, as shown and described.

DESCRIPTION

FIG. 1 is a top perspective view thereof,
FIG. 2 is a bottom perspective view thereof,
FIG. 3 is a front side view thereof,
FIG. 4 is a back side view thereof,
FIG. 5 is a left side view thereof,
FIG. 6 is a right side view thereof,
FIG. 7 is a top side view thereof; and,
FIG. 8 is a bottom side view thereof.

In the drawings, the broken lines are for the purpose of illustrating environment only and form no part of the claimed design.

1 Claim, 6 Drawing Sheets



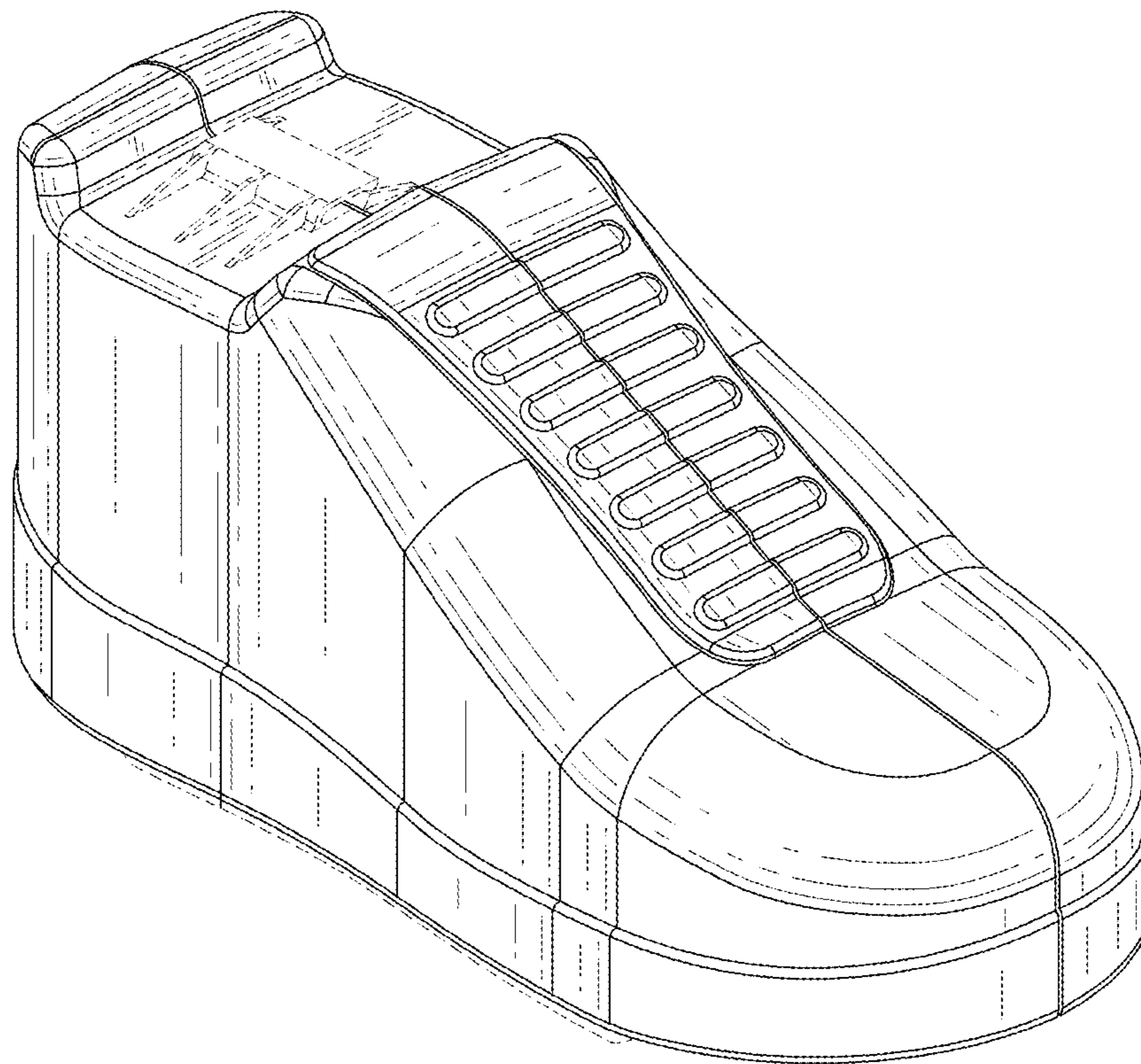


FIG. 1

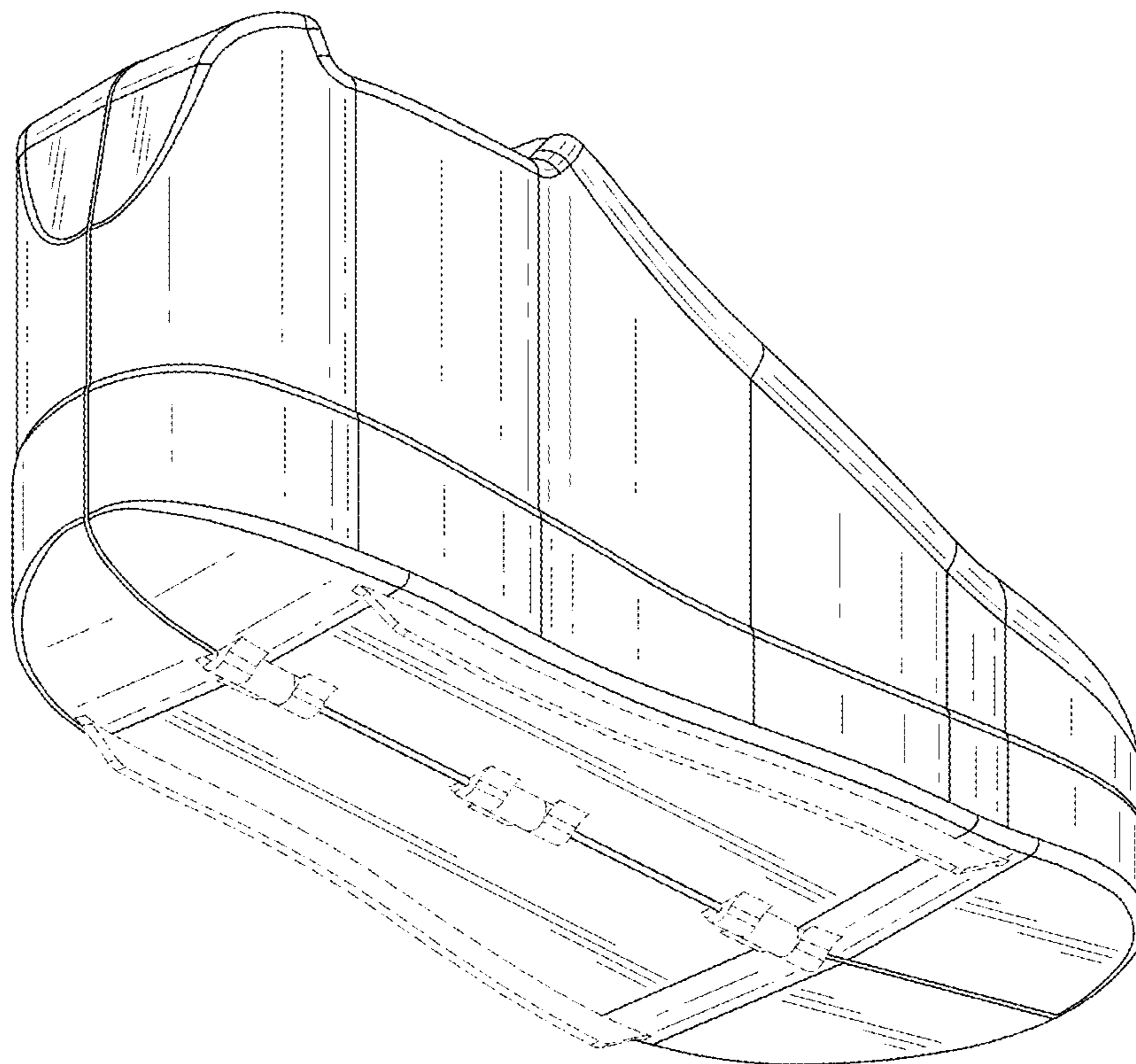


FIG. 2

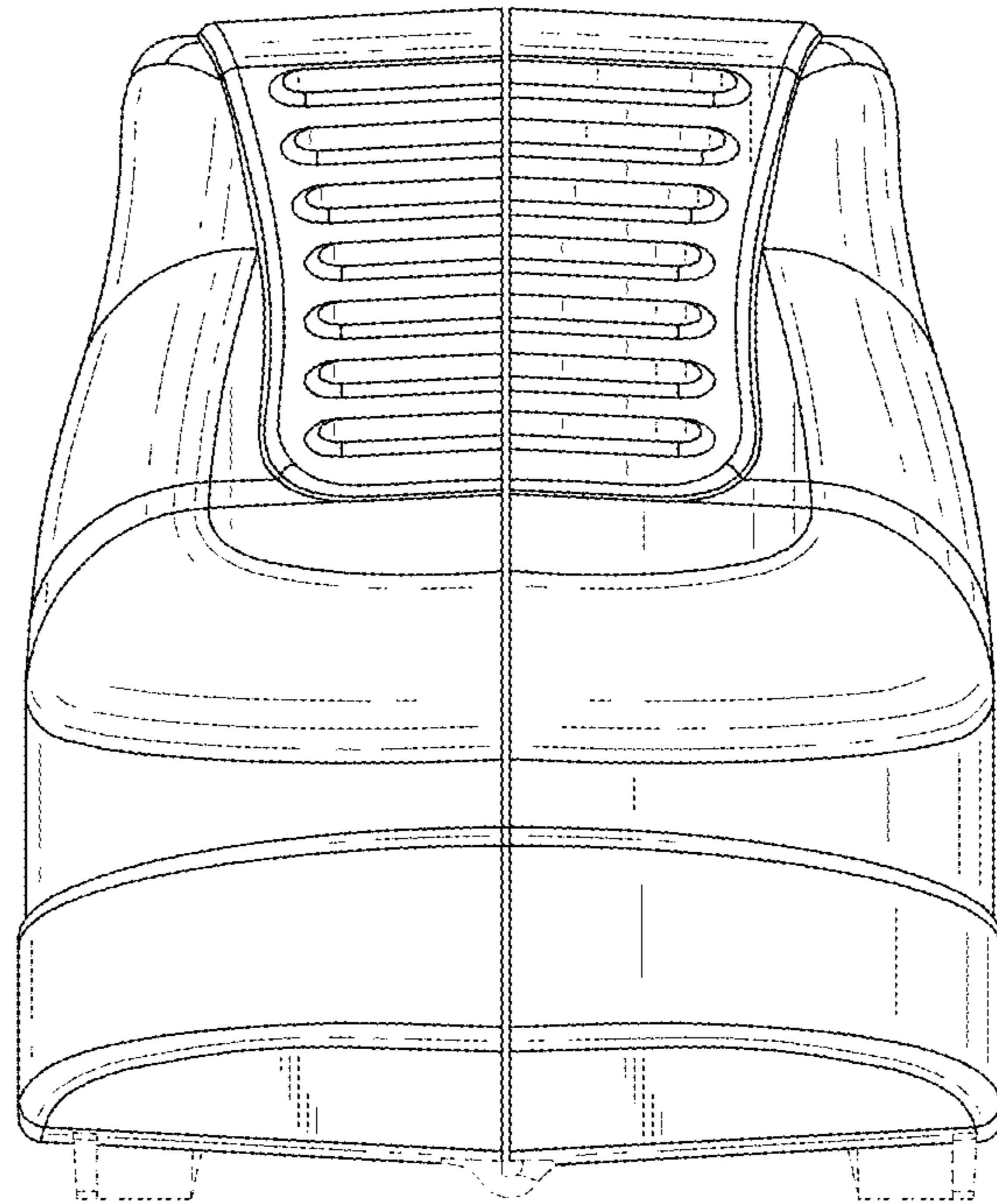


FIG. 3

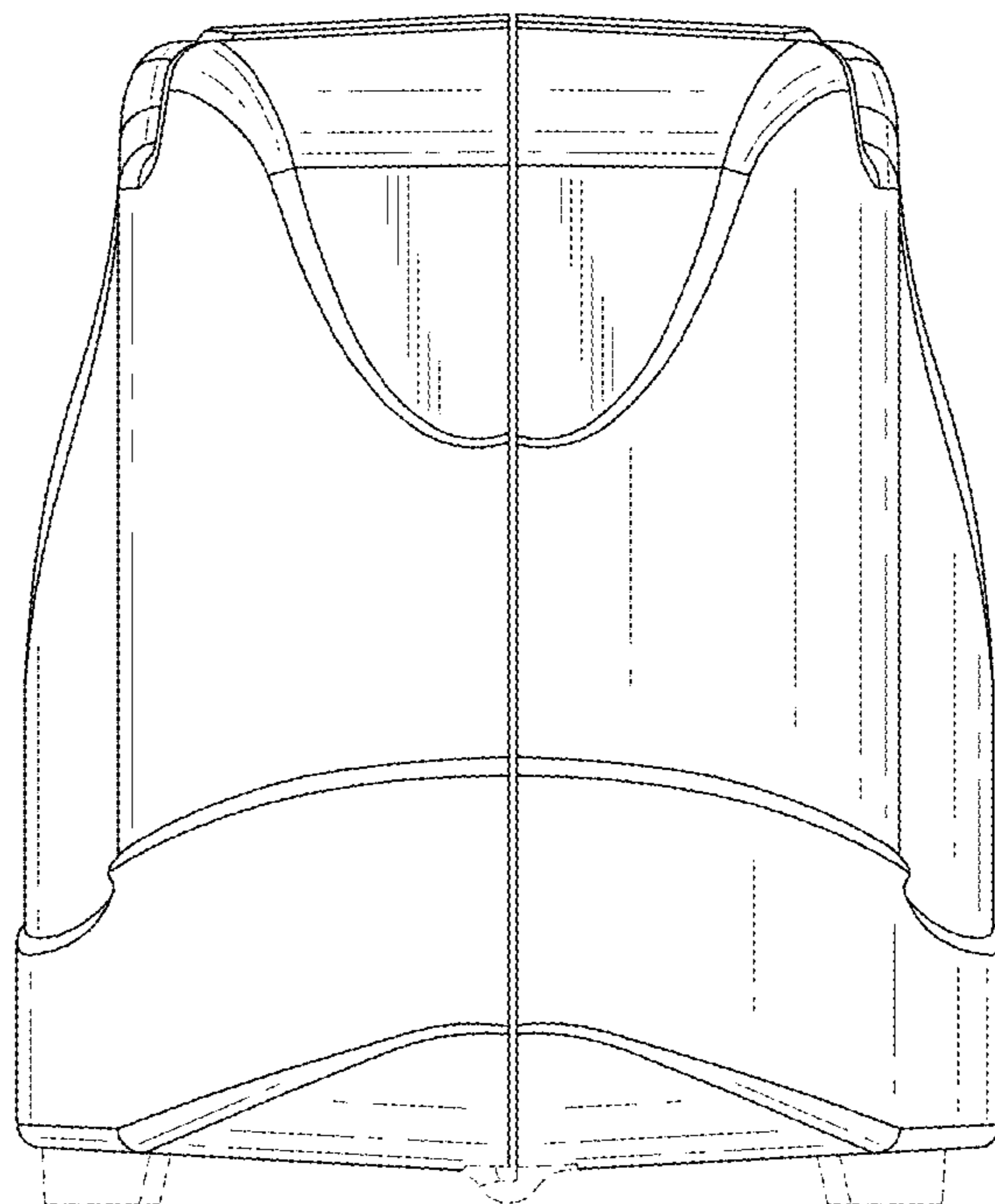


FIG. 4

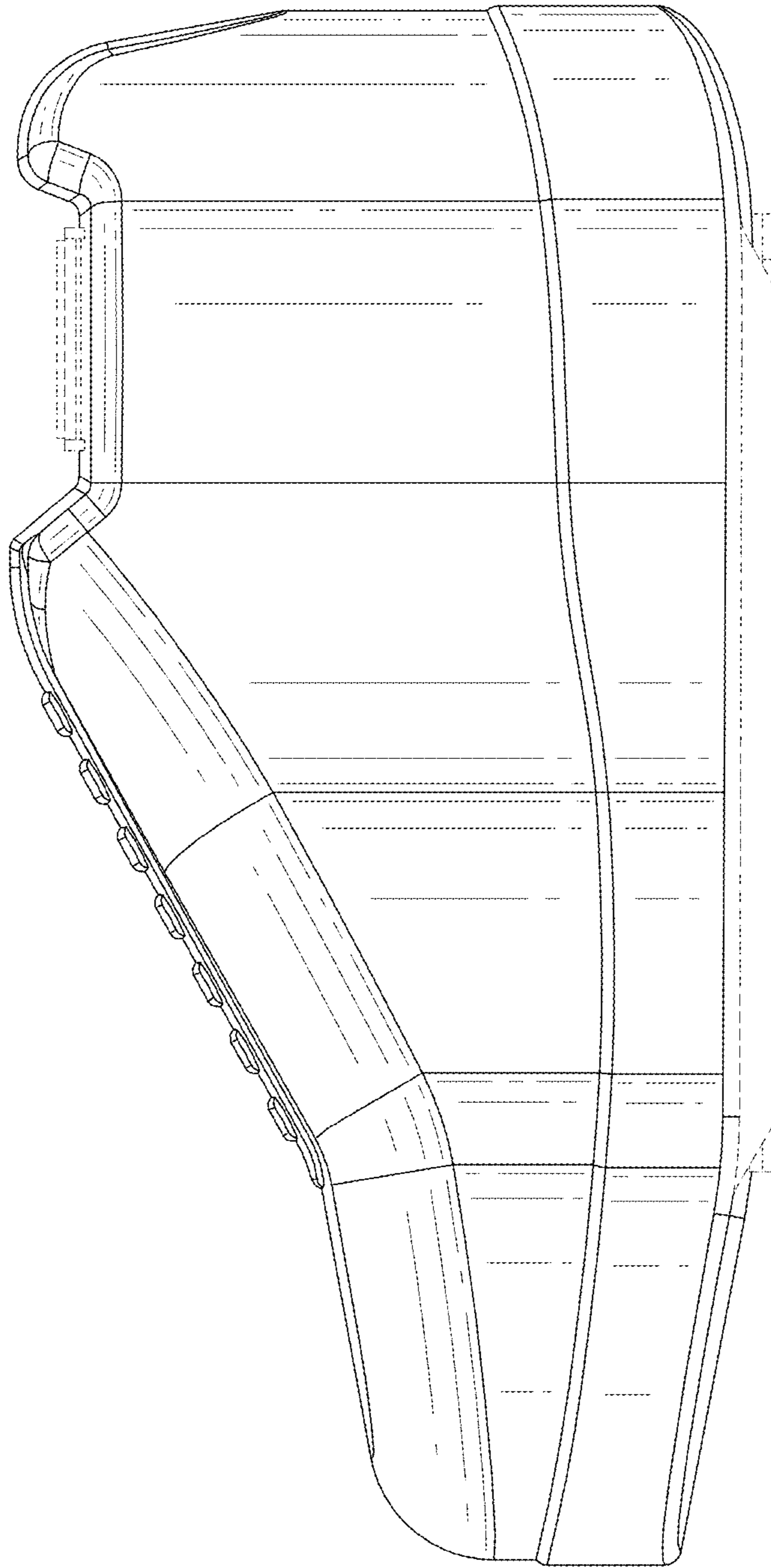


FIG. 5

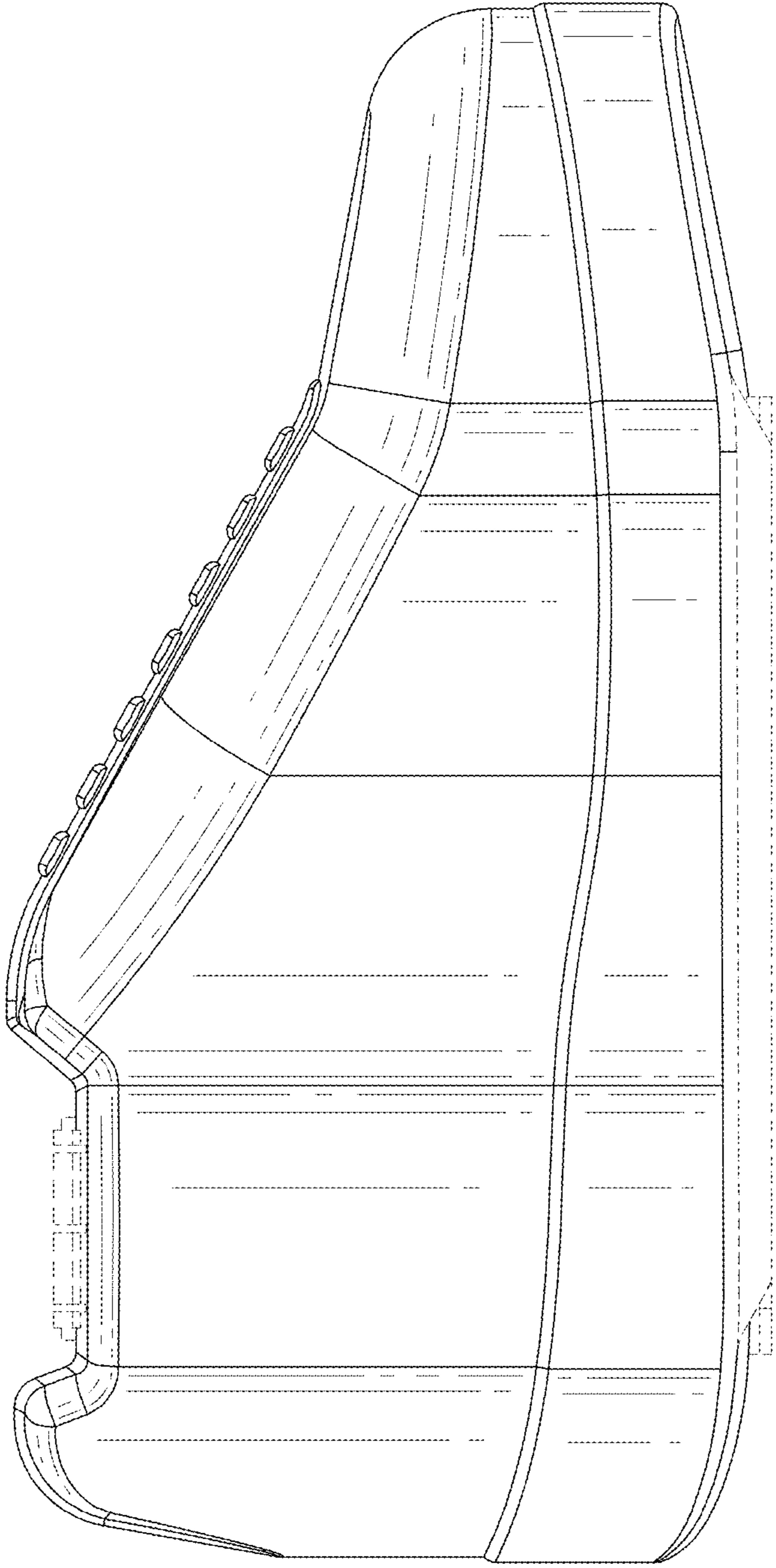


FIG. 6

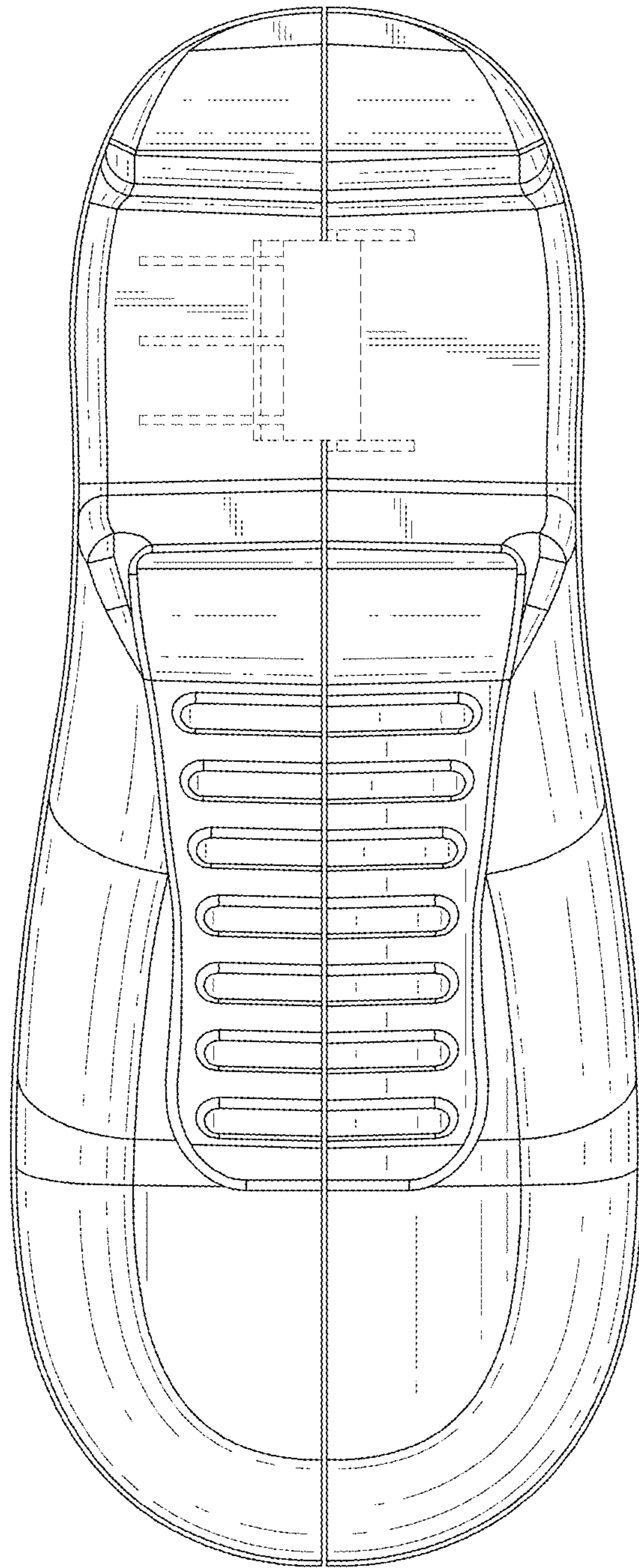


FIG. 7

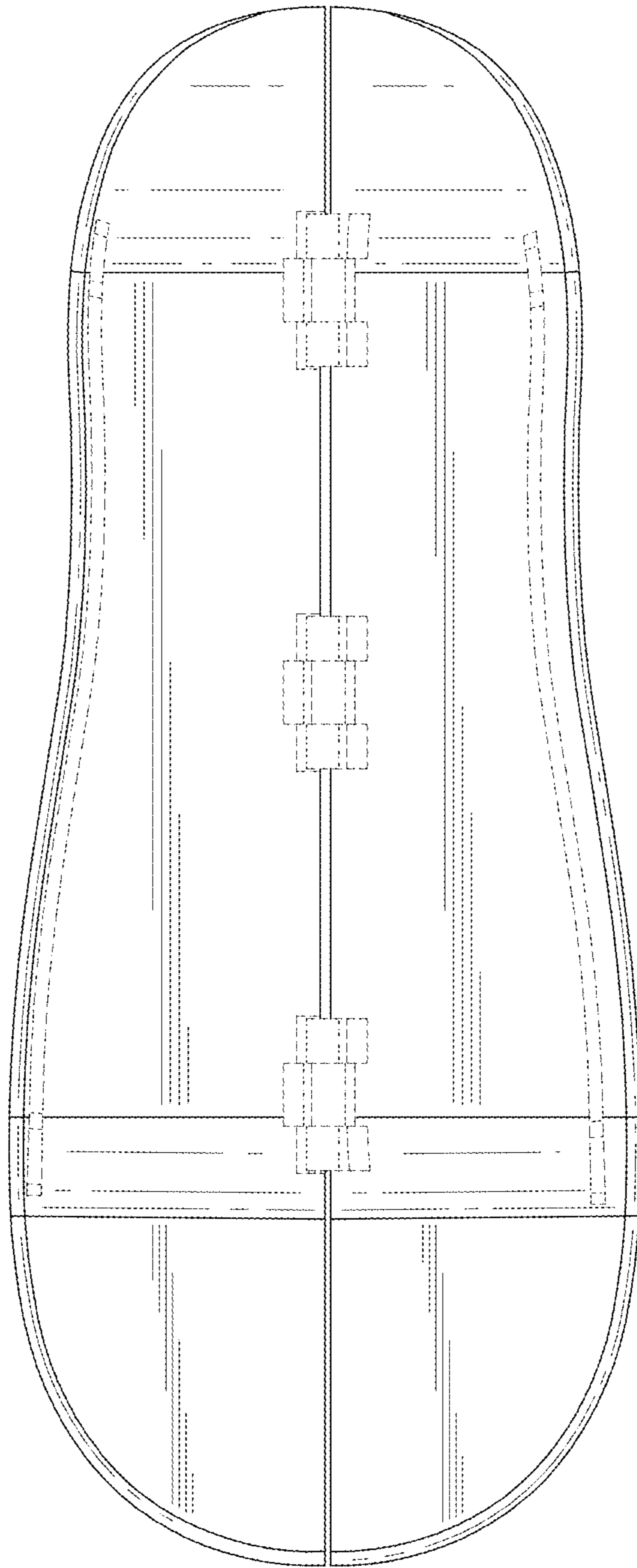


FIG. 8