



US00D975998S

(12) **United States Design Patent**
Yang

(10) **Patent No.:** **US D975,998 S**

(45) **Date of Patent:** **** Jan. 24, 2023**

(54) **CREDIT CARD HOLDER**

(71) Applicant: **Quanzhou Shengri Trading Co., Ltd.**,
Fujian (CN)

(72) Inventor: **Yulan Yang**, Fujian (CN)

(73) Assignee: **Quanzhou Shengri Trading Co., Ltd.**,
Quanzhou (CN)

(**) Term: **15 Years**

(21) Appl. No.: **29/824,539**

(22) Filed: **Jan. 25, 2022**

(51) **LOC (14) Cl.** **03-01**

(52) **U.S. Cl.**
USPC **D3/249**

(58) **Field of Classification Search**
USPC D3/247-253, 303
CPC ... A45C 1/06; A45C 11/182; A45C 2001/065;
A45C 2001/067

See application file for complete search history.

(56) **References Cited**

U.S. PATENT DOCUMENTS

D288,263 S *	2/1987	Pagano	D19/86
D611,249 S	3/2010	Uzelac		
D628,796 S	12/2010	Uzelac		
D836,335 S *	12/2018	Serman	D3/247
D858,984 S *	9/2019	Zucco	D3/247
D878,752 S *	3/2020	Dietrich	A45C 11/00
				D3/247
D946,275 S *	3/2022	Dumas	B65D 25/04
				D3/247
D952,337 S *	5/2022	Meidell	D3/250
D960,017 S *	8/2022	Wu	D10/121

D963,336 S *	9/2022	Liu	D3/250
2015/0114530 A1 *	4/2015	Jackson	A45C 1/06
				150/132
2018/0310681 A1 *	11/2018	Wingerter	B42F 17/32

OTHER PUBLICATIONS

“Aiuwo Mens Slim Leather wallet for AirTag with Money Clip RFID Blocking Credit Card holder Minimalist wallet for Men with Gift Box (Brown for Airtag(Crazy Horse))”, photo review dated Dec. 25, 2021, Aiuwo on Amazon.com, site visited Sep. 28, 2022: https://www.amazon.com/Aiuwo-Leather-wallet-Blocking-Minimalist/dp/B09JSG8YXB/ref=cm_cr_ar_p_d_product_top?ie=UTF8 (Year: 2021).*

* cited by examiner

Primary Examiner — Jennifer L Watkins

Assistant Examiner — Samantha Lynne Brodowski

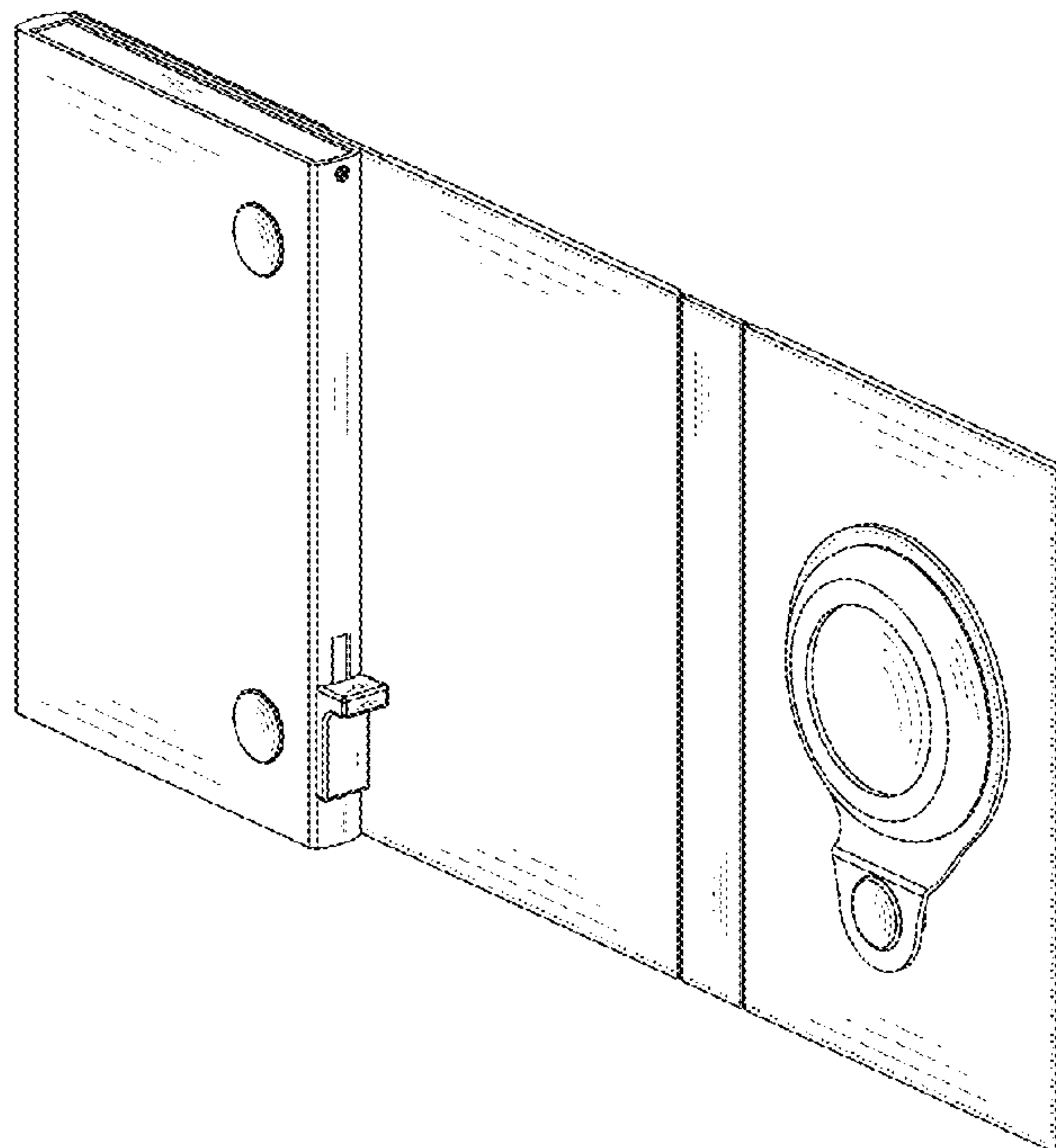
(57) **CLAIM**

The ornamental design for a credit card holder, as shown and described.

DESCRIPTION

FIG. 1 is a perspective view of a credit card holder showing my new design;
FIG. 2 is an alternative perspective view thereof;
FIG. 3 is a front view thereof;
FIG. 4 is a rear view thereof;
FIG. 5 is a left side view thereof;
FIG. 6 is a right side view thereof;
FIG. 7 is a top plan view thereof; and,
FIG. 8 is a bottom plan view thereof.
The dot lines depict stitching of the credit card holder that do not form a part of the claimed design.

1 Claim, 8 Drawing Sheets



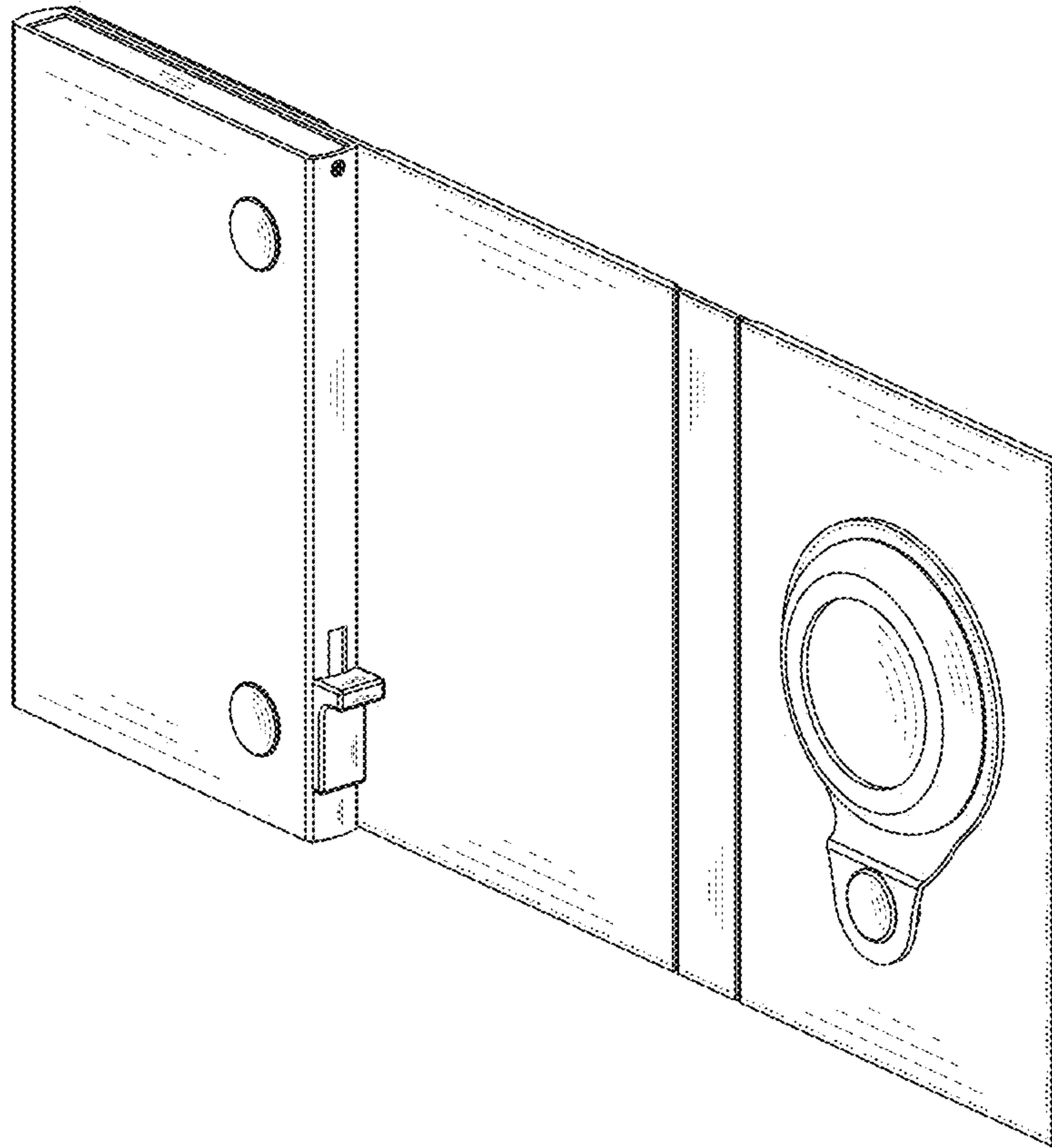


FIG. 1

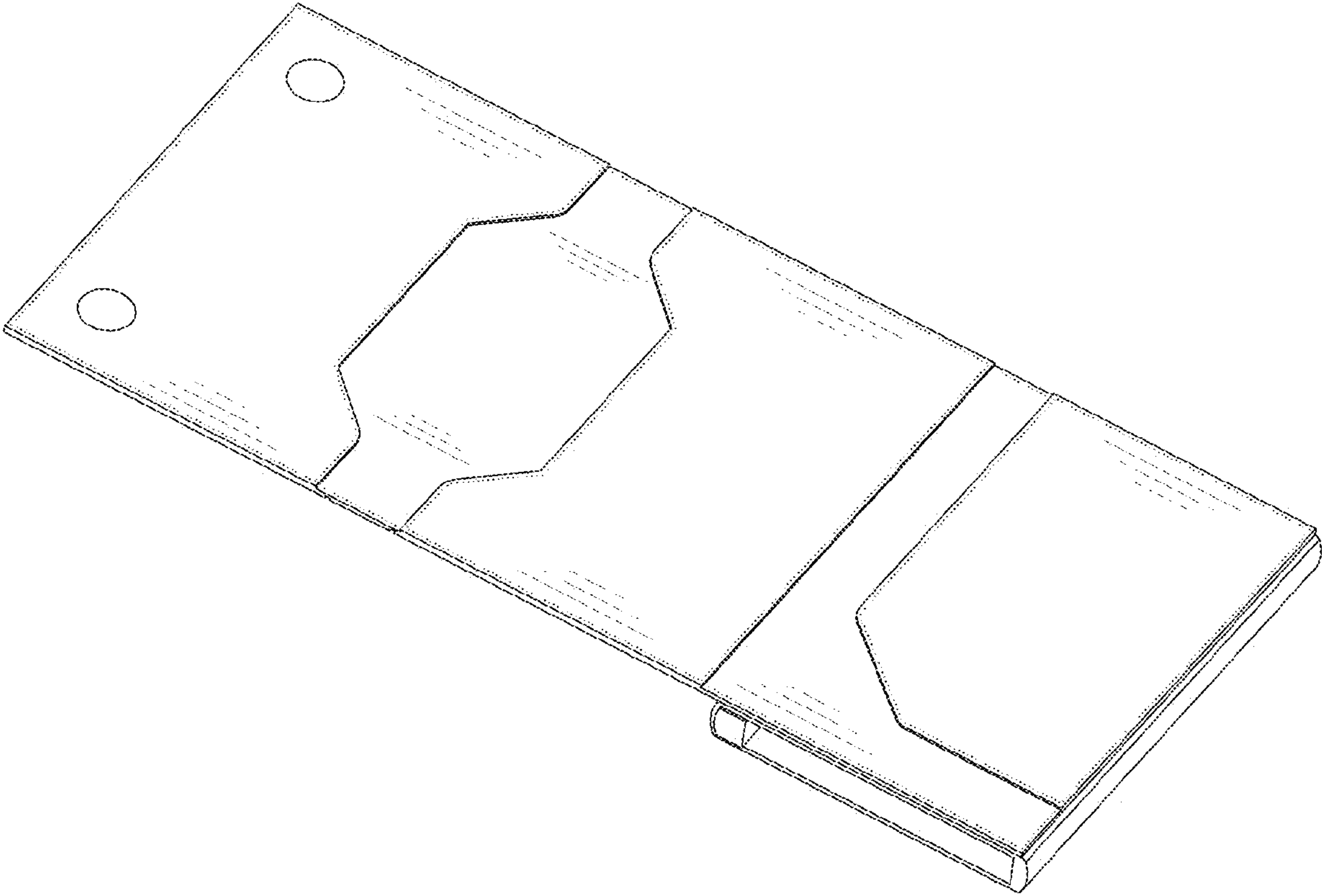


FIG. 2

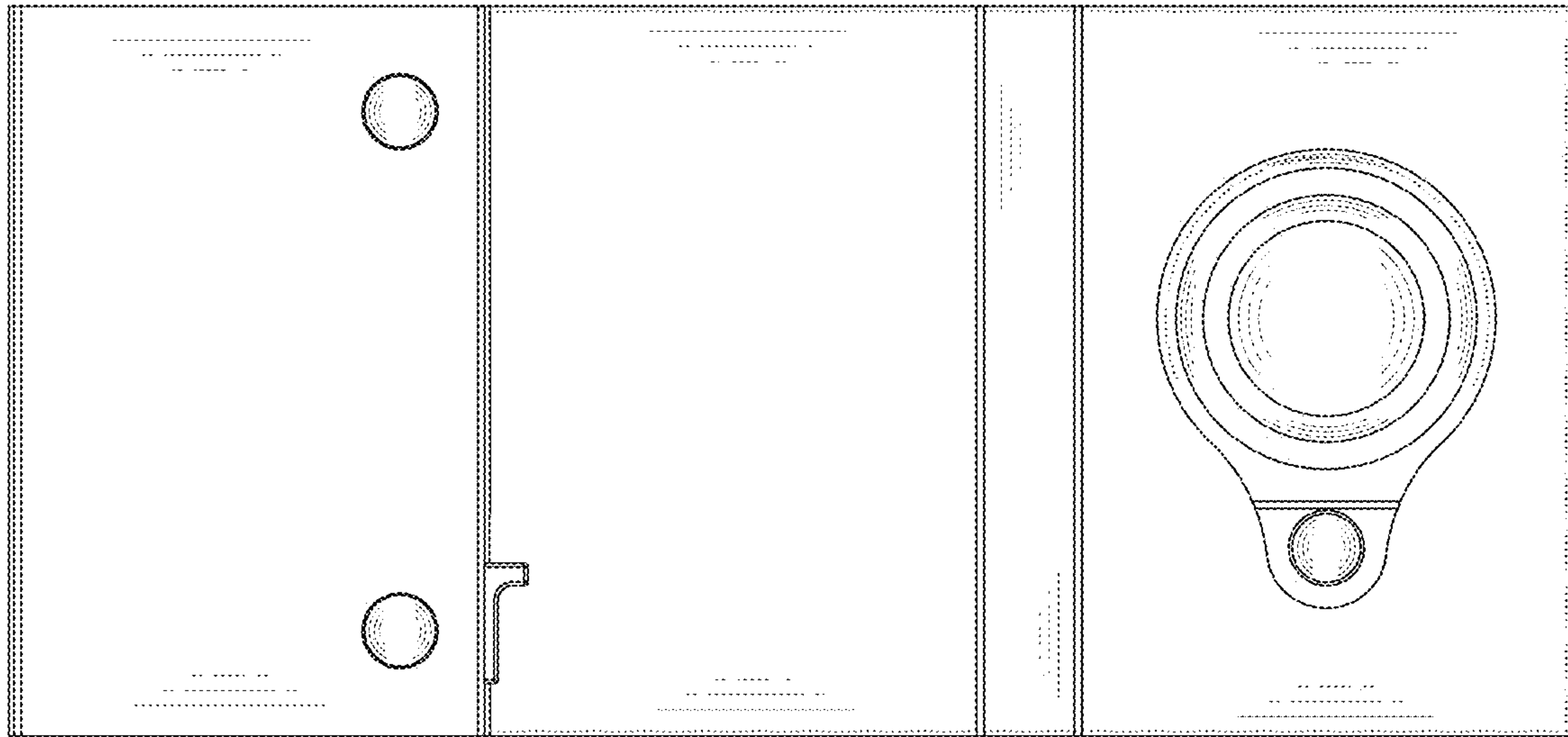


FIG. 3

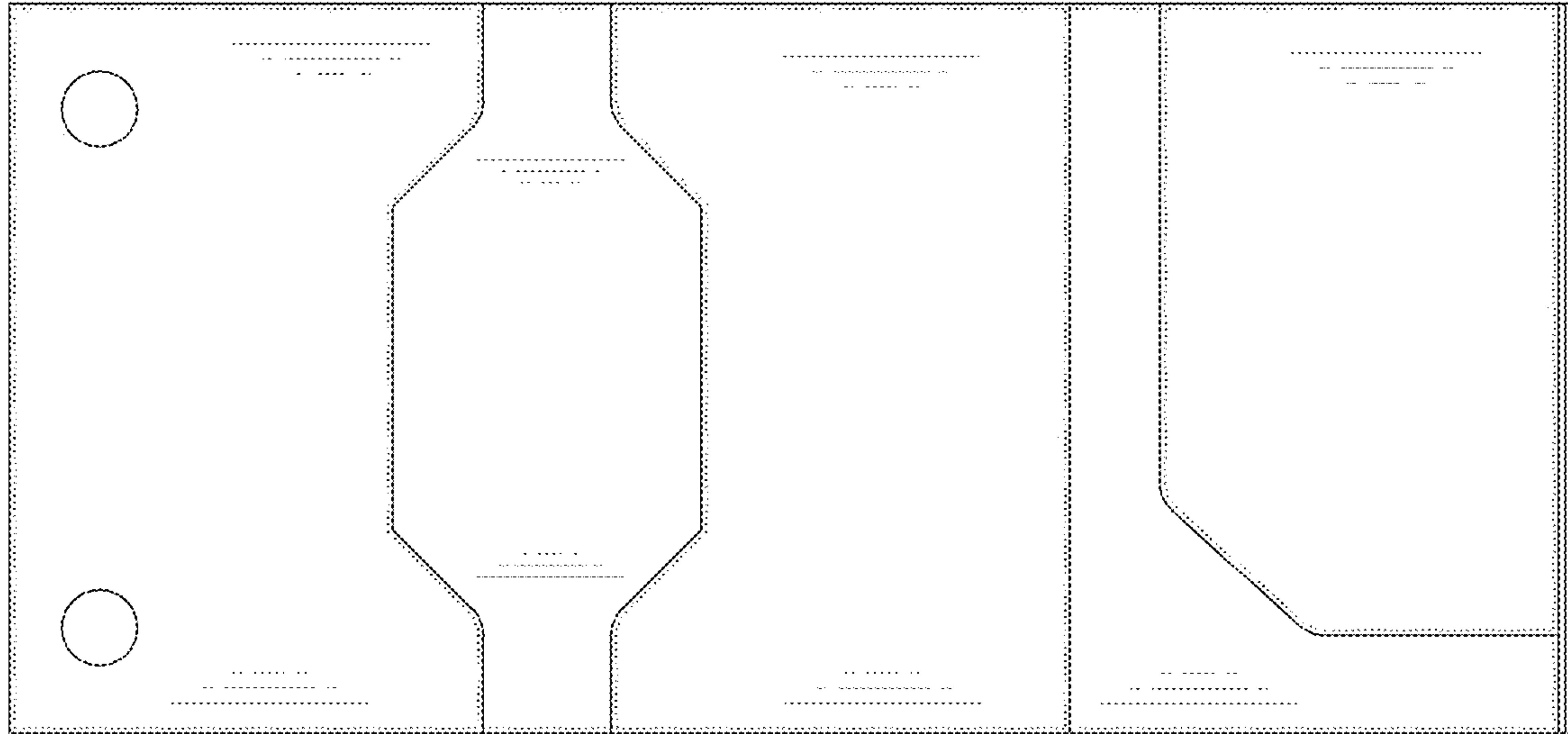


FIG. 4

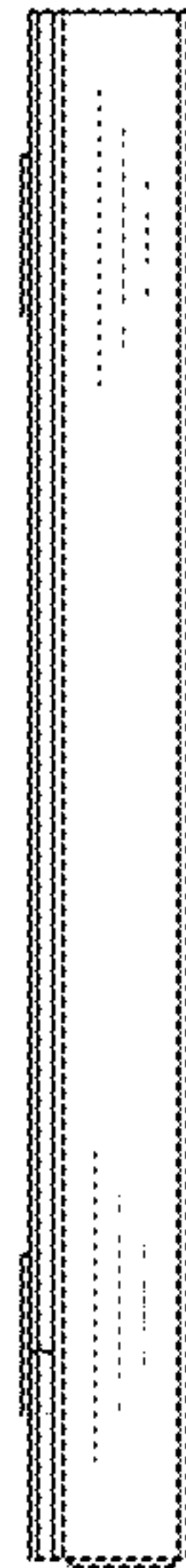


FIG. 5

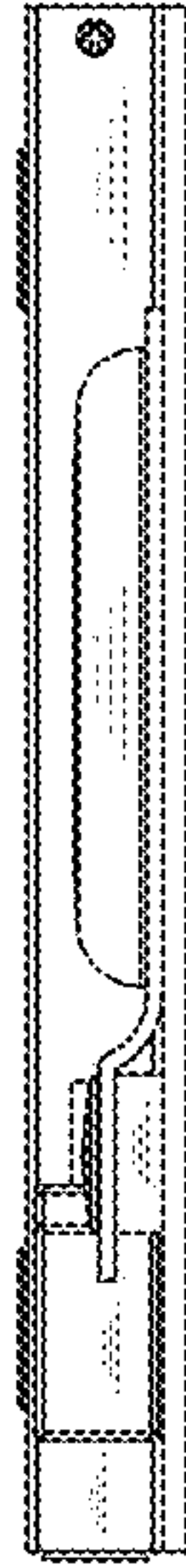


FIG. 6

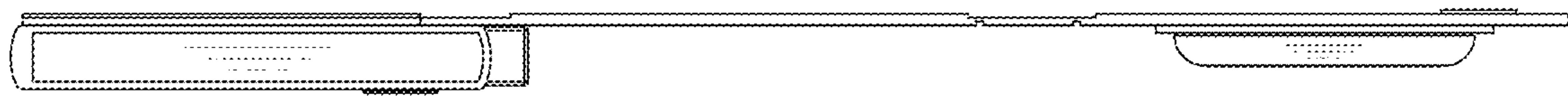


FIG. 7



FIG. 8