



US00D975994S

(12) **United States Design Patent**  
**Guo**

(10) **Patent No.:** **US D975,994 S**  
(45) **Date of Patent:** **\*\* Jan. 24, 2023**

- (54) **BABY CHANGING BACKPACK**
- (71) Applicant: **Shenzhen Create Future International Trading Company, Shenzhen (CN)**
- (72) Inventor: **Hui Guo, Shenzhen (CN)**
- (\*\*) Term: **15 Years**
- (21) Appl. No.: **29/779,065**
- (22) Filed: **Apr. 16, 2021**
- (51) **LOC (14) Cl.** ..... **03-01**
- (52) **U.S. Cl.**  
USPC ..... **D3/217**
- (58) **Field of Classification Search**  
USPC ..... D3/213, 214, 216, 217; D6/331, 390,  
D6/391, 718.26  
CPC ..... A47D 9/00; A47D 13/02; A47D 15/00;  
A47D 15/005; A45F 4/00; A45F 4/02;  
A45F 4/06; A45C 9/00; A45C 2003/008  
See application file for complete search history.

- 8,336,136 B1 \* 12/2012 Lantos ..... A47L 9/1683  
5/100
  - D680,760 S \* 4/2013 Hsu ..... D6/331
  - 8,566,988 B2 \* 10/2013 Son ..... A47D 9/00  
5/99.1
  - 8,640,278 B2 \* 2/2014 You ..... A47D 13/063  
5/99.1
  - D782,820 S \* 4/2017 Thompson ..... D3/289
  - D804,217 S \* 12/2017 Festa ..... D6/391
  - 9,986,849 B2 \* 6/2018 Sclare ..... A47D 7/03
  - D829,435 S \* 10/2018 Viger ..... D3/217
- (Continued)

(56) **References Cited**

**U.S. PATENT DOCUMENTS**

- D193,326 S \* 8/1962 Hamilton et al. .... D6/391
- 3,159,850 A \* 12/1964 Aldrich ..... A47D 13/02  
D6/390
- 4,366,587 A \* 1/1983 Takada ..... A47D 13/02  
5/94
- D326,772 S \* 6/1992 Kennedy ..... D3/289
- 5,649,658 A \* 7/1997 Hoffman ..... A47D 5/006  
5/655
- 5,778,465 A \* 7/1998 Myers ..... A47D 7/04  
5/99.1
- 7,055,191 B1 \* 6/2006 Chen ..... A47D 7/04  
5/98.1
- 7,055,194 B2 \* 6/2006 Arthur ..... A47D 7/02  
5/100
- D620,708 S \* 8/2010 Sanz ..... D3/276
- D625,102 S \* 10/2010 Jacobs ..... D3/289
- D652,227 S \* 1/2012 Crumrine ..... D6/333

**OTHER PUBLICATIONS**

Manrany Diaper Bag Backpack, amazon.com, <https://www.amazon.com/Manrany-Backpack-Changing-Waterproof-Multi-Functional/dp/B08Y1K7S5S?th=1> (Year: 2021).\*

(Continued)

*Primary Examiner* — Steven J Cxyz

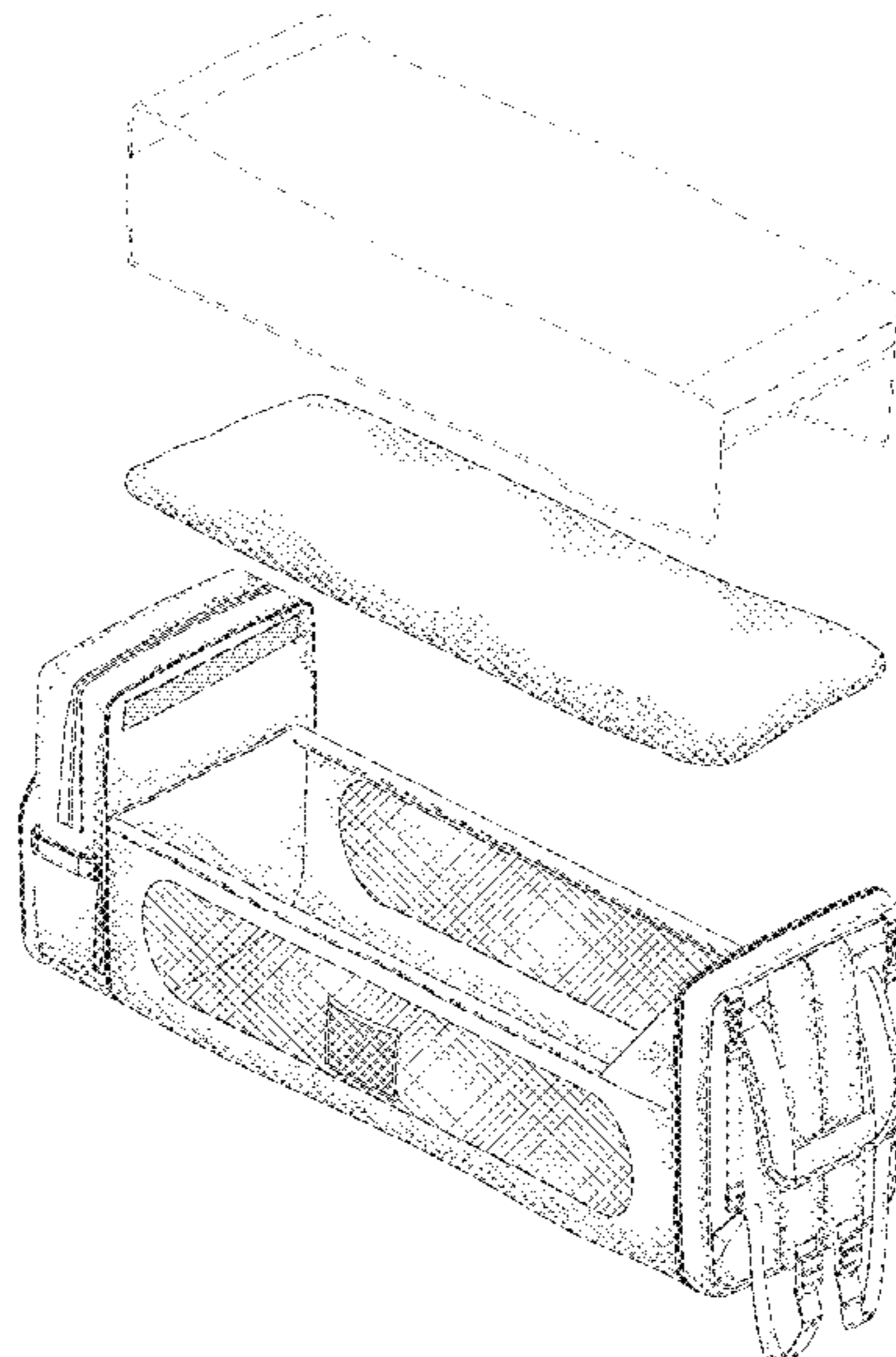
(57) **CLAIM**

The ornamental design for a baby changing backpack, as shown and described.

**DESCRIPTION**

FIG. 1 is a perspective view of a baby changing backpack showing the new design;  
FIG. 2 is a front view thereof;  
FIG. 3 is a rear view thereof;  
FIG. 4 is a left-side view thereof;  
FIG. 5 is a right-side view thereof;  
FIG. 6 is an exploded view of the baby changing backpack, showing the internal elements and in an alternate state of use; and,  
FIG. 7 is a perspective view of the baby changing backpack, shown in an alternate state and in use.  
The broken lines depict portions of the baby changing backpack that form no part of the claimed design.

**1 Claim, 7 Drawing Sheets**



(56)

References Cited

U.S. PATENT DOCUMENTS

D843,107 S \* 3/2019 Swaggart ..... D3/217  
 D854,817 S \* 7/2019 Rabe ..... D3/217  
 10,477,981 B2 \* 11/2019 Burns ..... A47D 9/005  
 D877,527 S \* 3/2020 Gopaul ..... D6/390  
 D879,464 S \* 3/2020 Vario, Jr. .... D3/217  
 D880,847 S \* 4/2020 Huang ..... D3/217  
 D885,042 S \* 5/2020 Li ..... D3/217  
 D891,143 S \* 7/2020 Ren ..... D6/718.26  
 10,702,048 B1 \* 7/2020 Guterman ..... A45F 3/04  
 D895,272 S \* 9/2020 Zhitian ..... D3/217  
 D900,501 S \* 11/2020 Hu ..... D6/390  
 D901,878 S \* 11/2020 Ji ..... D3/217  
 D902,582 S \* 11/2020 Huang ..... D3/217  
 D905,462 S \* 12/2020 Jeidel ..... D6/391  
 D906,699 S \* 1/2021 Healy ..... D6/331  
 D909,050 S \* 2/2021 Bloom ..... D3/216  
 D909,772 S \* 2/2021 Lu ..... D6/331  
 D911,024 S \* 2/2021 Rabe ..... D3/217  
 10,945,518 B1 \* 3/2021 Lutin ..... A45F 4/02  
 D915,768 S \* 4/2021 Lin ..... D3/289  
 D919,962 S \* 5/2021 Shi ..... D3/217  
 D920,588 S \* 5/2021 Chen ..... D30/108  
 D924,561 S \* 7/2021 Gilbert ..... D3/217  
 D925,230 S \* 7/2021 Huang ..... D3/317  
 D927,882 S \* 8/2021 Hu ..... A45F 3/14  
 D936,996 S \* 11/2021 Van Staveren ..... A47D 9/02  
 D938,163 S \* 12/2021 Lyu ..... A45F 3/04  
 D941,013 S \* 1/2022 Qiu ..... A45C 3/001  
 D941,014 S \* 1/2022 Ren ..... A45C 3/001  
 D942,140 S \* 2/2022 Fan ..... A47D 7/04  
 D942,770 S \* 2/2022 Ou ..... A45C 13/02  
 D944,006 S \* 2/2022 Windenberger ..... A47D 5/006  
 D945,768 S \* 3/2022 He ..... A45F 3/04

D946,267 S \* 3/2022 He ..... A45F 4/02  
 D946,884 S \* 3/2022 Maduro ..... A45C 13/02  
 D946,912 S \* 3/2022 Wu ..... A45F 4/02  
 D947,525 S \* 4/2022 Liao ..... A47D 9/005  
 D947,536 S \* 4/2022 Liang ..... D3/217  
 2003/0024960 A1 \* 2/2003 Greenstein ..... A45C 13/02  
 2003/0057239 A1 \* 3/2003 Godshaw ..... A45F 4/02  
 2008/0022457 A1 \* 1/2008 Wu ..... A47D 7/03  
 2009/0077742 A1 \* 3/2009 Burns ..... A47D 7/04  
 2010/0213020 A1 \* 8/2010 Lynch-Ringvold .... A45C 13/02  
 2011/0314608 A1 \* 12/2011 Rovin ..... A47D 5/006  
 2013/0188892 A1 \* 7/2013 Bevier ..... A45C 3/001  
 2014/0202814 A1 \* 7/2014 Collins ..... A45C 3/001  
 2016/0102427 A1 \* 4/2016 Cohen ..... A45F 3/04  
 2017/0360216 A1 \* 12/2017 Sclare ..... A47D 9/02  
 2019/0082817 A1 \* 3/2019 Ji ..... A45F 3/04  
 2021/0000264 A1 \* 1/2021 Franks ..... A45F 3/14  
 2021/0244164 A1 \* 8/2021 Lin ..... A45F 4/06  
 2022/0047093 A1 \* 2/2022 Bates ..... A45C 15/00

OTHER PUBLICATIONS

Realer Diaper Bag Backpack, amazon.com, <https://www.amazon.com/Backpack-Bassinet-Portable-Changing-Foldable/dp/B08LSJ2RBR?th=1> (Year: 2021).\*  
 Gitibab Diaper Bag Backpack, amazon.com, <https://www.amazon.com/Backpack-Bassinet-Detachable-Foldable-Changing/dp/B092V7XKW8?th=1> (Year: 2021).\*

\* cited by examiner

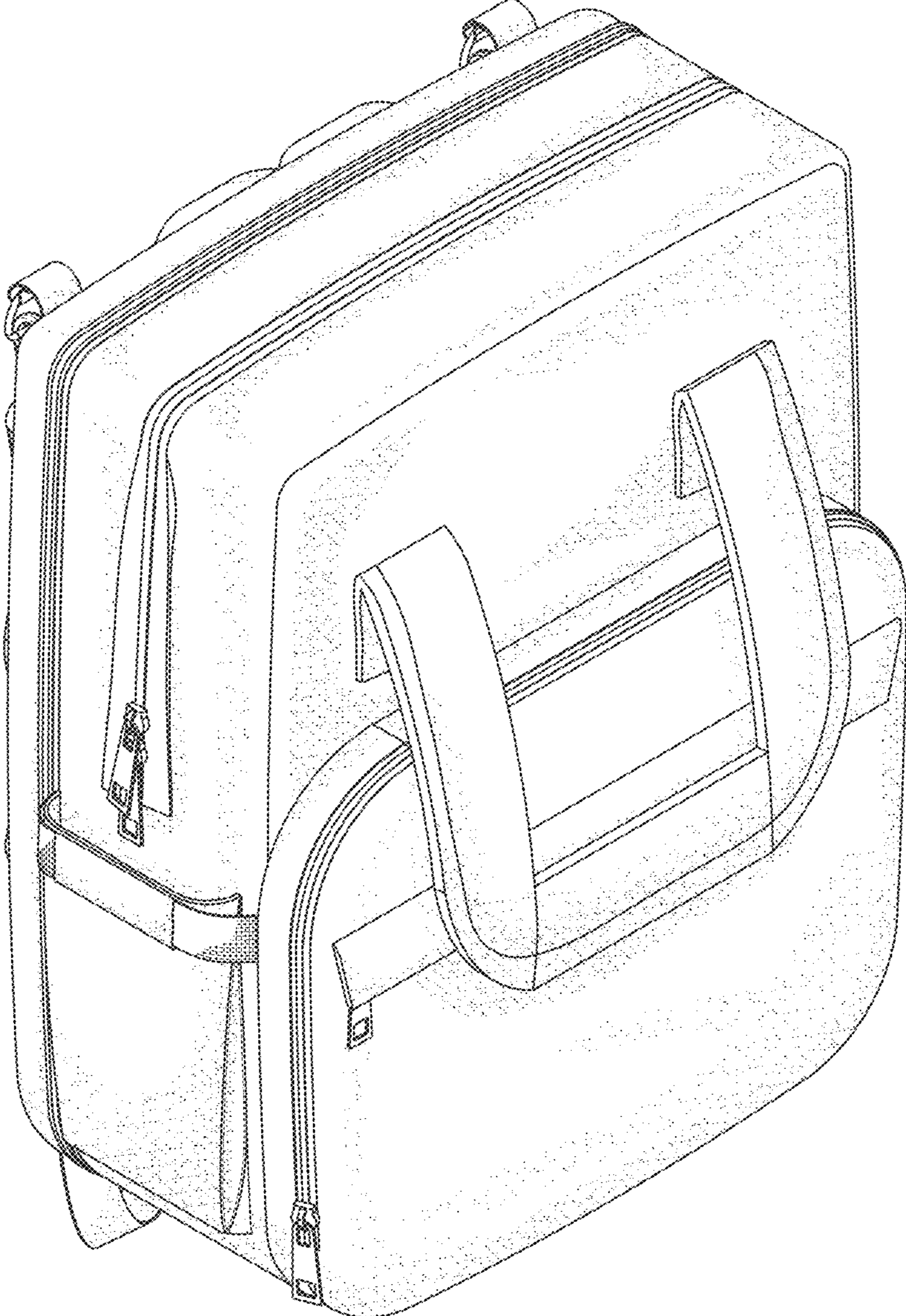


FIG. 1

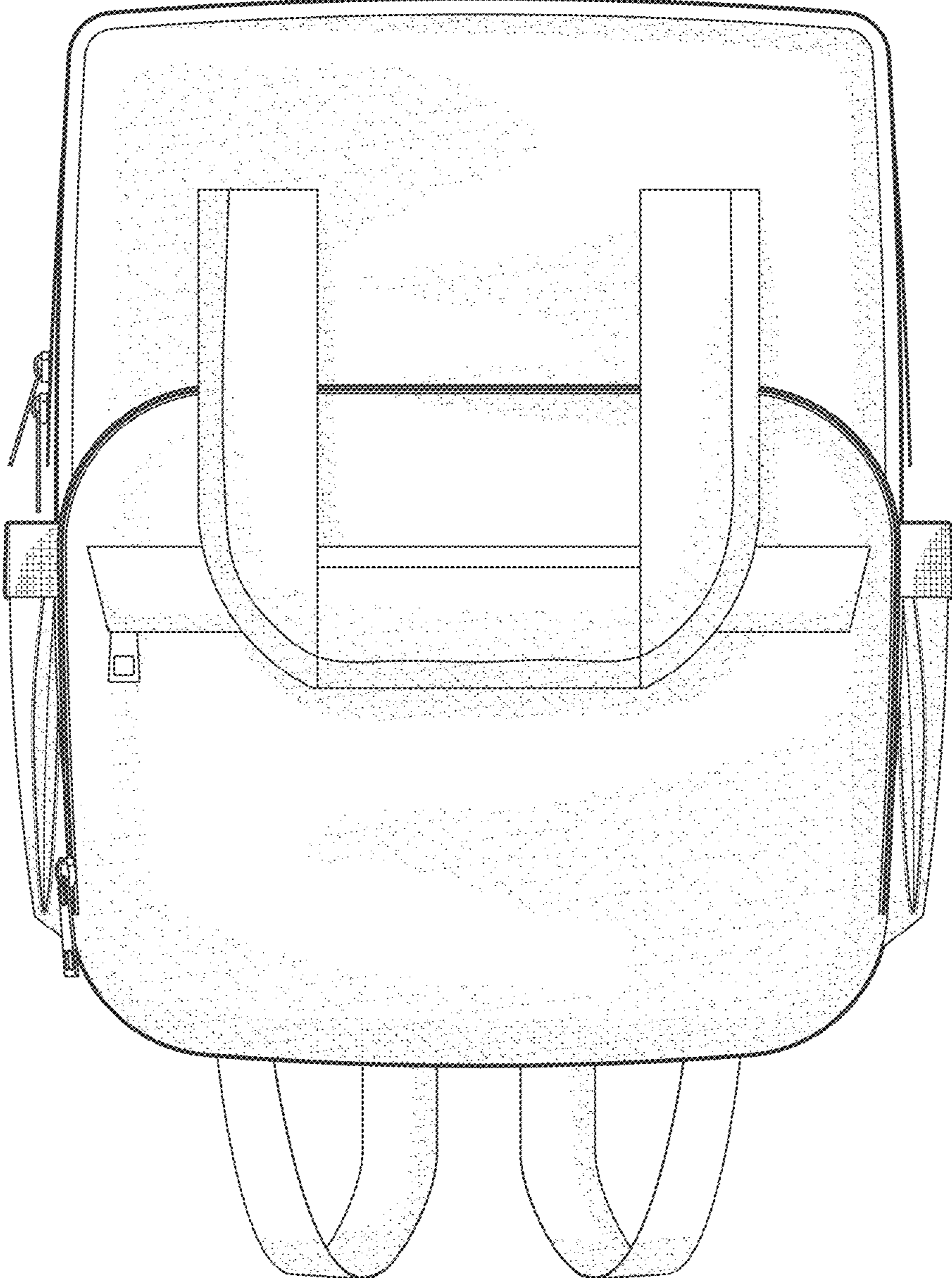


FIG. 2

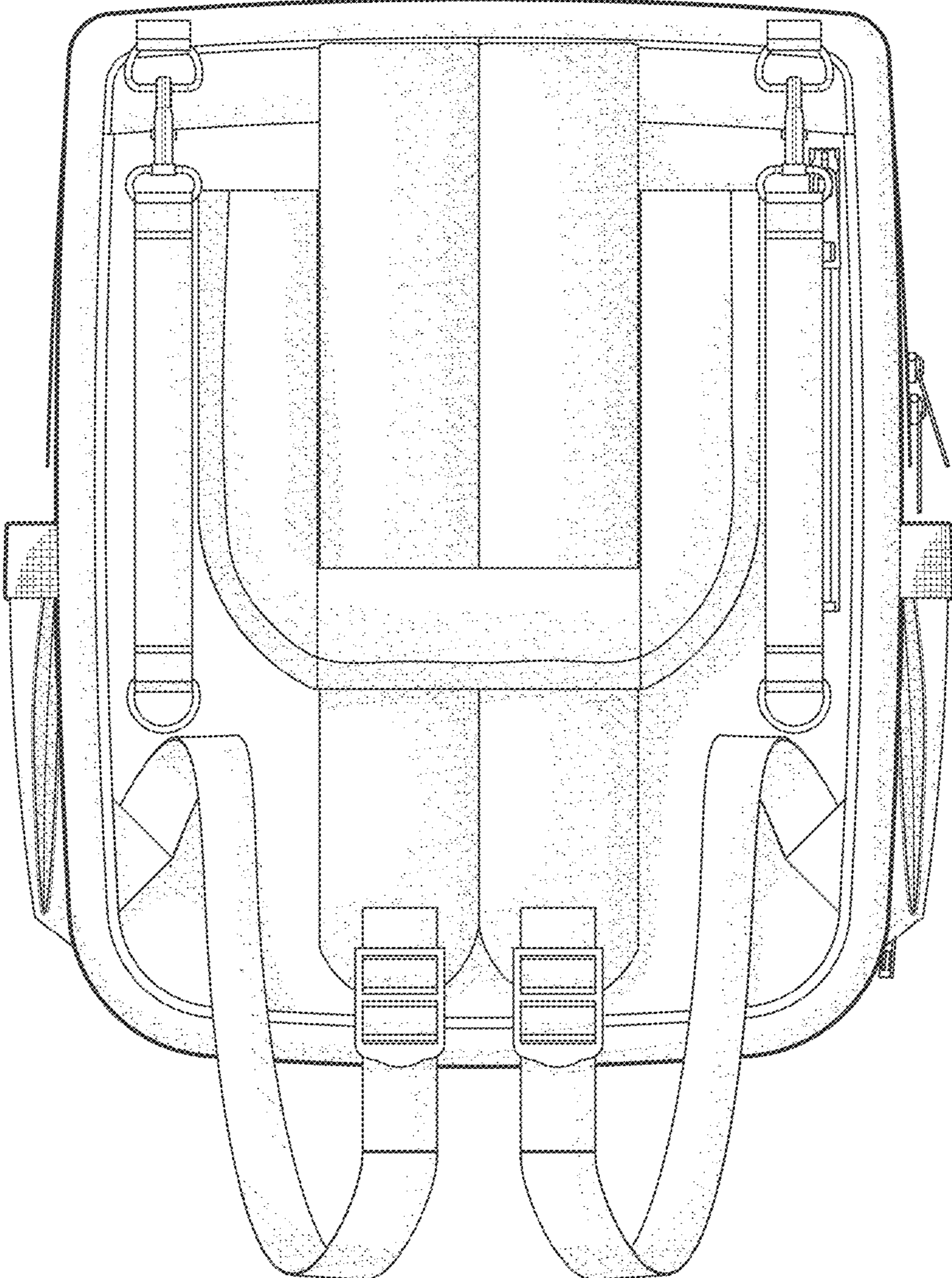


FIG. 3

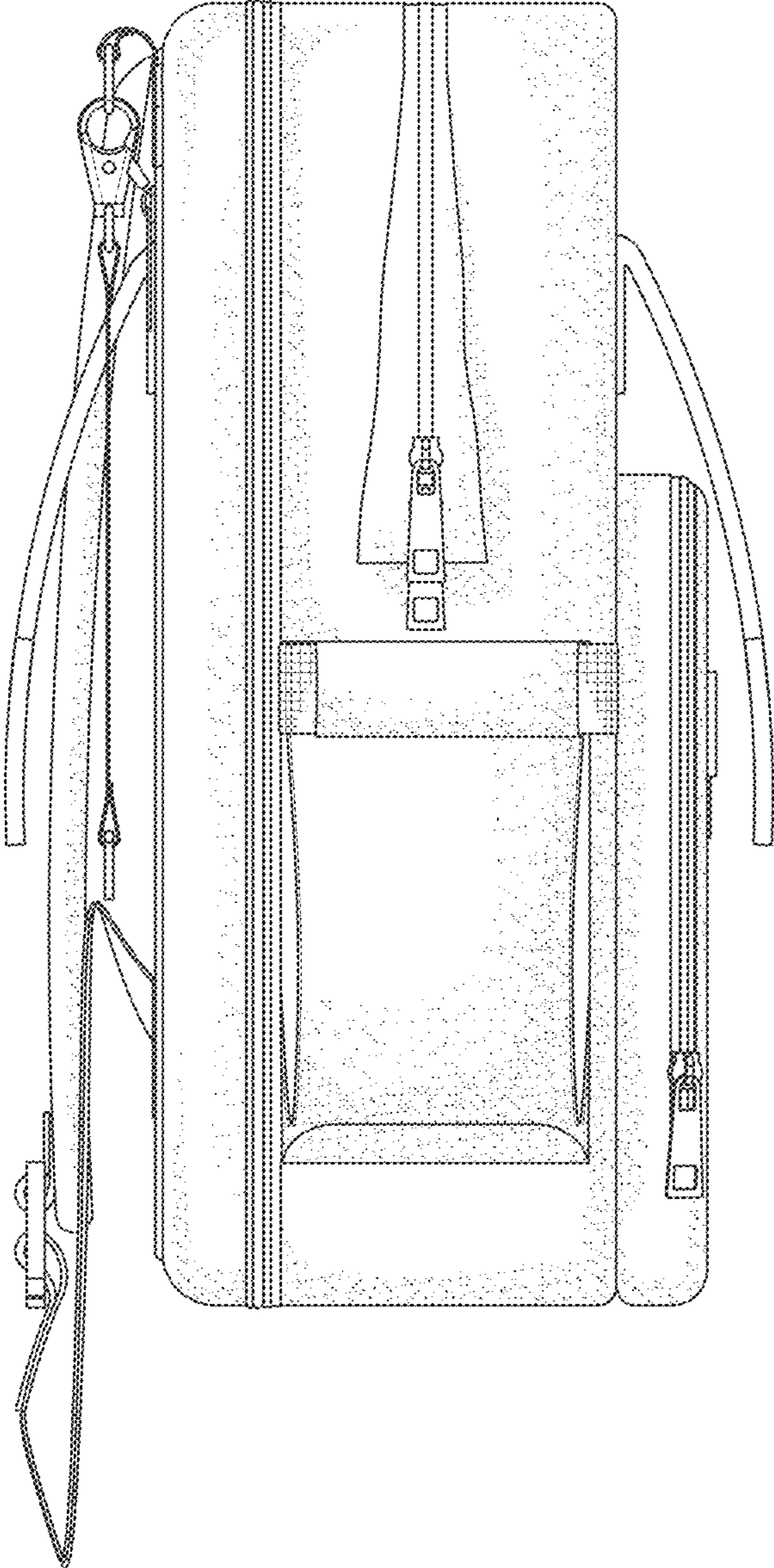


FIG. 4

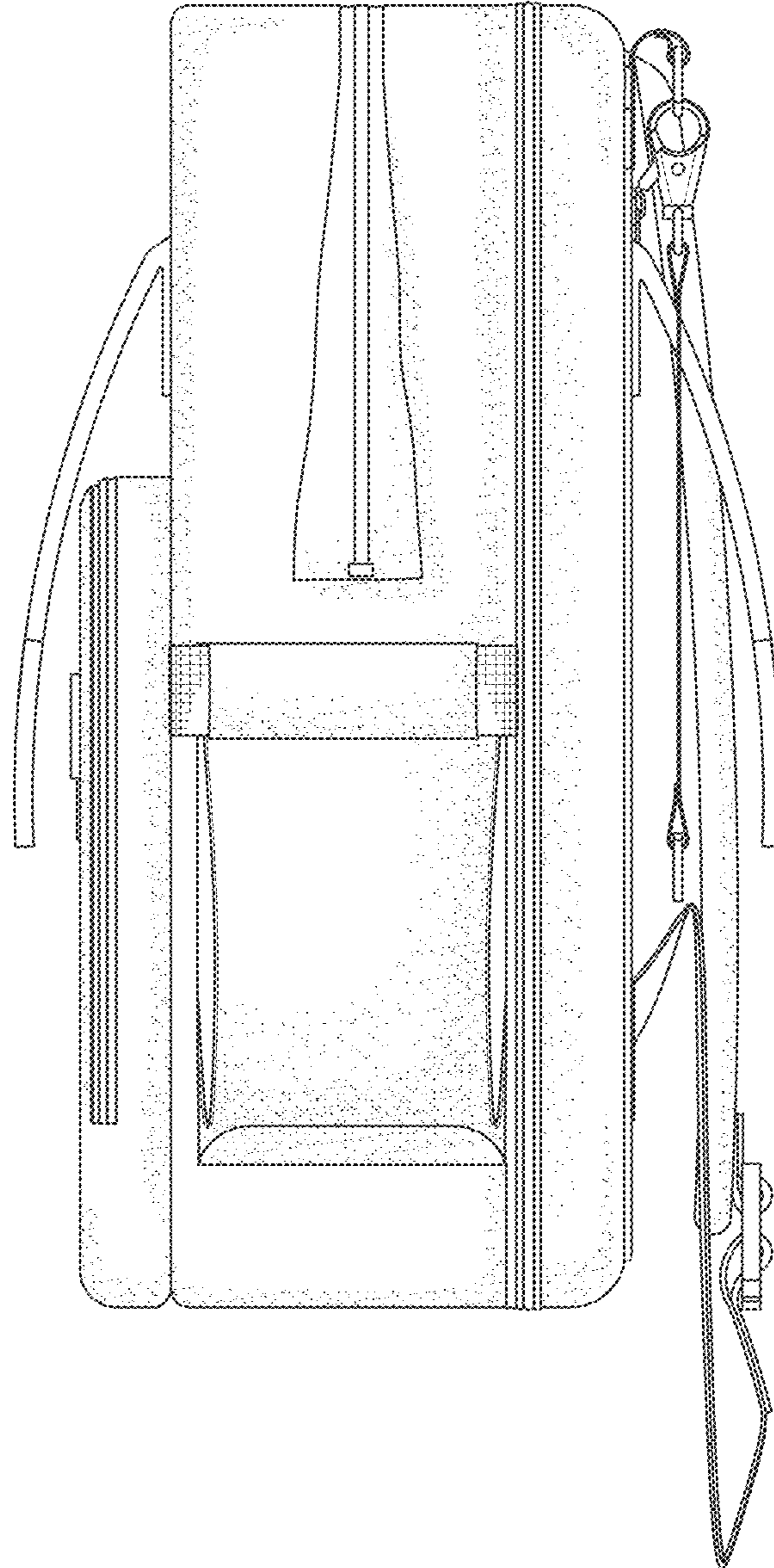


FIG. 5

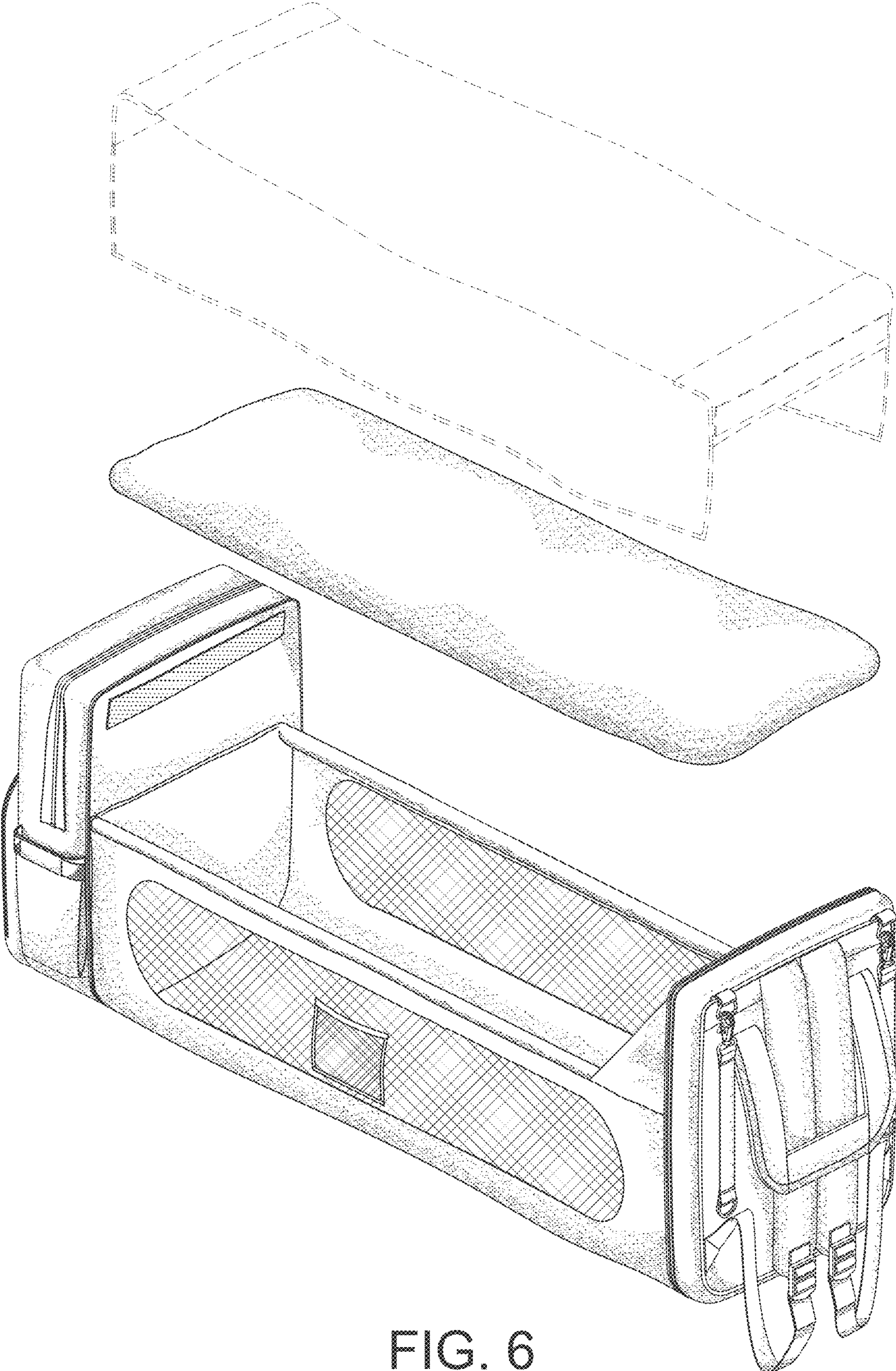


FIG. 6



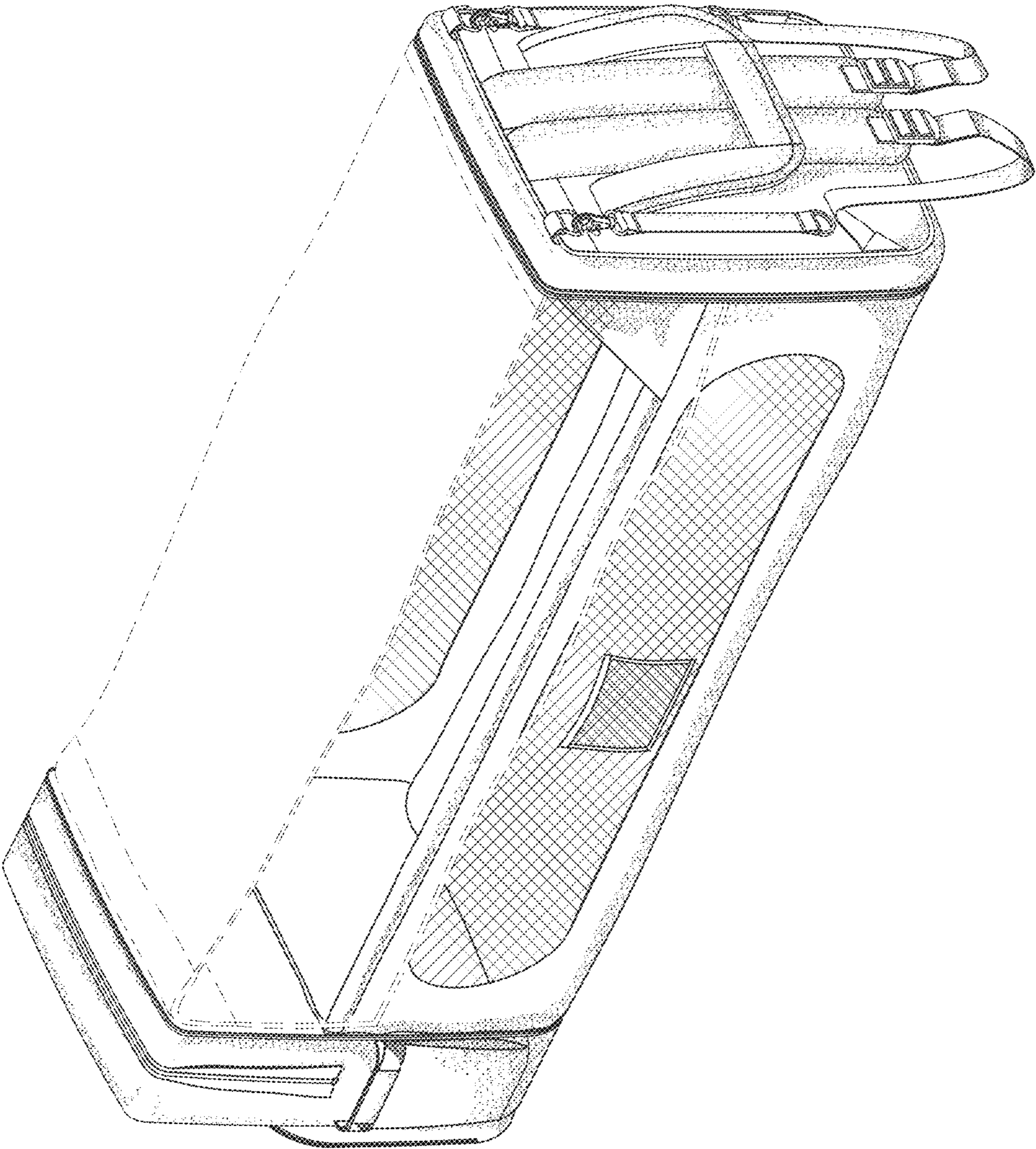


FIG. 7