



US00D975993S

(12) **United States Design Patent** (10) **Patent No.:** **US D975,993 S**
Kleremo et al. (45) **Date of Patent:** **** Jan. 24, 2023**

(54) **FRONT PIECE OF A BABY CARRIER**

(71) Applicant: **BabyBjörn AB**, Solna (SE)

(72) Inventors: **Josefin Kleremo**, Bredaryd (SE); **Frida Åberg**, Sundbyberg (SE); **Ulrika Vejbrink**, Hägersten (SE); **Lisen Elmberg**, Stockholm (SE); **Jonas Dolk**, Dalarö (SE)

(73) Assignee: **BabyBjörn AB**, Solna (SE)

(**) Term: **15 Years**

(21) Appl. No.: **29/774,167**

(22) Filed: **Mar. 15, 2021**

(30) **Foreign Application Priority Data**

Sep. 17, 2020 (EM) 008170385-0001
Sep. 17, 2020 (EM) 008170385-0002

(51) **LOC (14) Cl.** **03-05**

(52) **U.S. Cl.**
USPC **D3/214; D3/213**

(58) **Field of Classification Search**
USPC **D3/213, 214, 215, 216, 327, 217, 318; D2/719**

(Continued)

(56) **References Cited**

U.S. PATENT DOCUMENTS

D377,116 S * 1/1997 Shimura D3/214
8,579,168 B2 * 11/2013 Zack A47D 13/025
224/159

(Continued)

FOREIGN PATENT DOCUMENTS

CN 3031628 * 5/1995
GB 6058998 * 4/2019

OTHER PUBLICATIONS

Amazon.ca, Site visited Jun. 23, 2022, Tula Baby Carrier, First available Jul. 20, 2017, <https://www.amazon.ca/Tula-Baby-Carrier-Archer/dp/B072NDLZML?th=1> (Year: 2017).*

Amazon.ca, Site visited Jun. 7, 2022, Infantino Swift Classic Carrier, First available Apr. 5, 2018, <https://www.amazon.ca/Infantino-200-204-Swift-Classic-Carrier/dp/B076DCFPFK> (Year: 2018).*

(Continued)

Primary Examiner — Brett Miller

Assistant Examiner — Jessica M Gebhart

(74) *Attorney, Agent, or Firm* — Studebaker & Brackett PC

(57) **CLAIM**

The ornamental design for a front piece of a baby carrier, as shown and described.

DESCRIPTION

FIG. 1 is a front perspective view showing our new design for a front piece of a baby carrier, FIG. 2 is a rear perspective view thereof, FIG. 3 is a front view thereof, FIG. 4 is a rear view thereof, FIG. 5 is a left side view thereof, the opposite side being a mirror image, FIG. 6 is a top side view thereof, FIG. 7 is a bottom view thereof, FIG. 8 is a supplemental figure of FIG. 1, without environmental broken lines, FIG. 9 is a supplemental figure of FIG. 2, without environmental broken lines, FIG. 10 is a supplemental figure of FIG. 3, without environmental broken lines, FIG. 11 is a supplemental figure of FIG. 4, without environmental broken lines, FIG. 12 is a supplemental figure of FIG. 5, without environmental broken lines, FIG. 13 is a supplemental figure of FIG. 6, without environmental broken lines; and, FIG. 14 is a supplemental figure of FIG. 7, without environmental broken lines. The broken lines illustrate portions of the front piece of a baby carrier that form no part of the claimed design.

1 Claim, 14 Drawing Sheets



(58) **Field of Classification Search**

CPC . A47D 13/025; A47D 13/02; A45F 2003/144;
A45F 3/04

See application file for complete search history.

(56) **References Cited**

U.S. PATENT DOCUMENTS

D733,419 S *	7/2015	Wikner	D3/214
9,357,852 B2 *	6/2016	Salazar	A47D 13/025
D851,916 S *	6/2019	Andersson	D3/214
2009/0026235 A1 *	1/2009	Gray	A47D 15/006 224/159
2011/0062195 A1 *	3/2011	Jones	A47D 13/025 224/161

OTHER PUBLICATIONS

Amazon.ca, Site visited Jun. 23, 2022, TwinGo Baby Carrier, First available Sep. 21, 2018, <https://www.amazon.ca/TwinGo-Air-Breathable-Comfortable-Adjustable/dp/B07F79BJJH> (Year: 2018).*

Amazon.co.uk, Site visited Jun. 15, 2022, Xiuyer Baby Carrier, First available Dec. 5, 2019, <https://www.amazon.co.uk/Ergonomic-Breathable-Adjustable-Newborns-Toddlers/dp/B082D5QFF3> (Year: 2019).*

* cited by examiner



Fig. 1

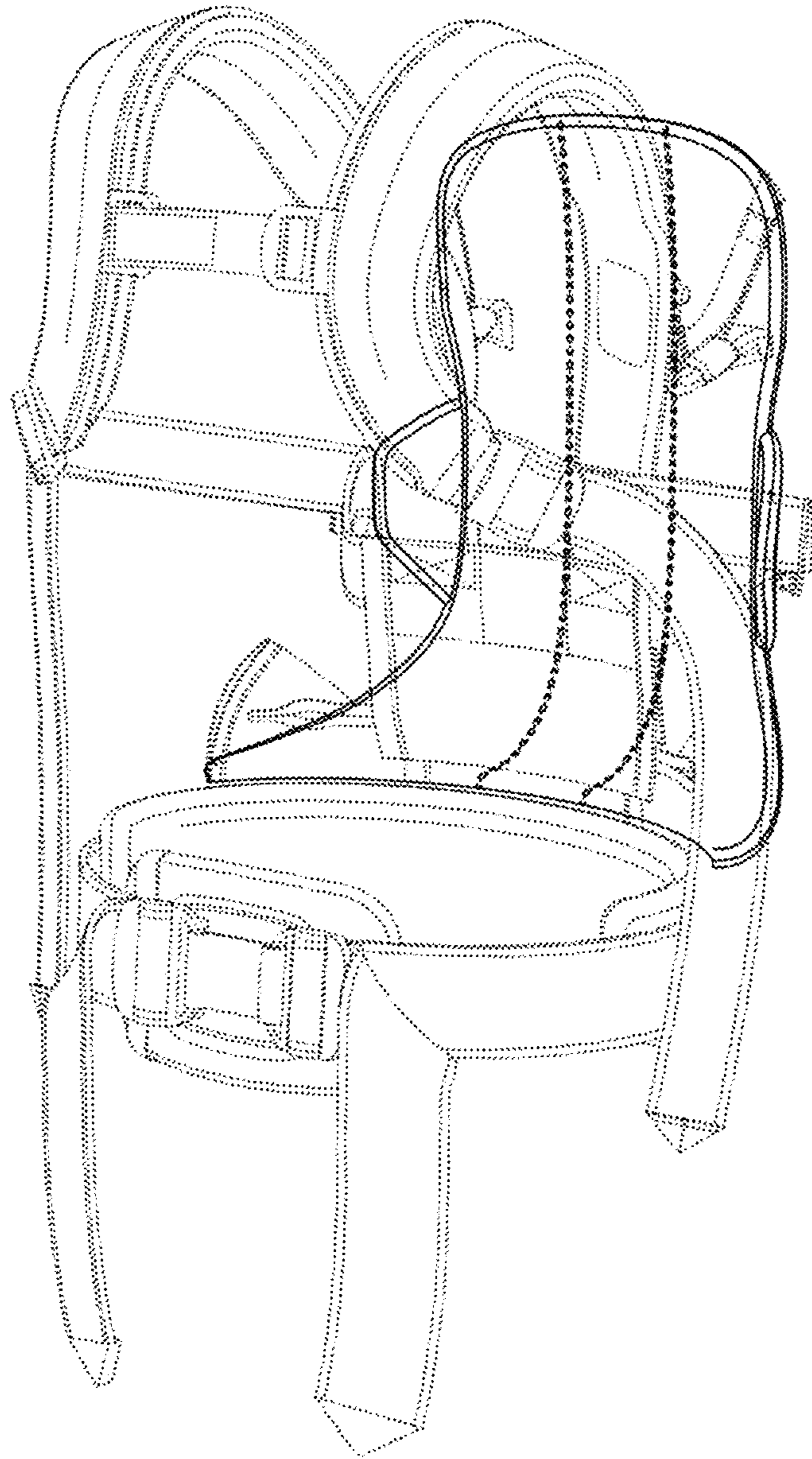


Fig. 2

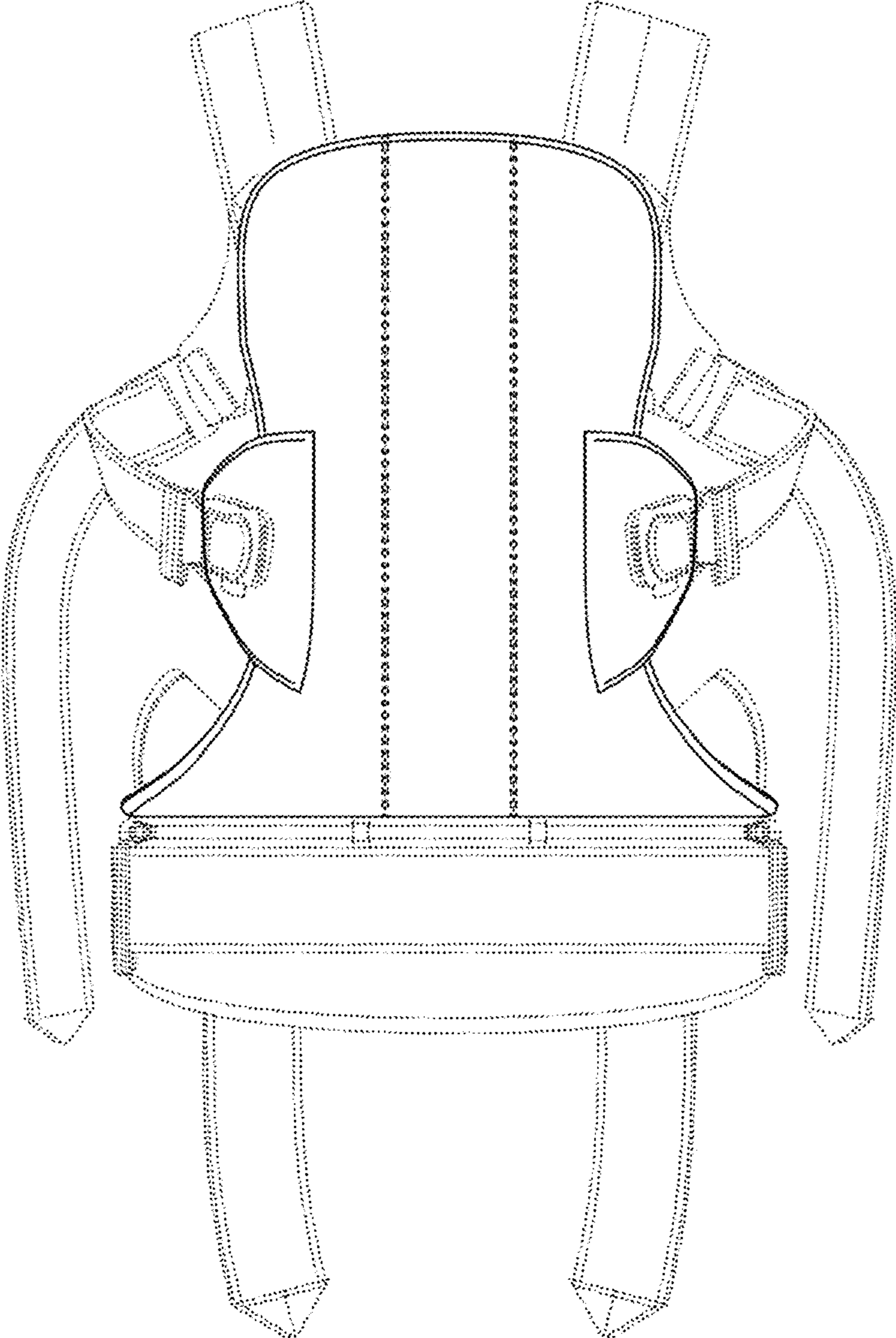


Fig. 3

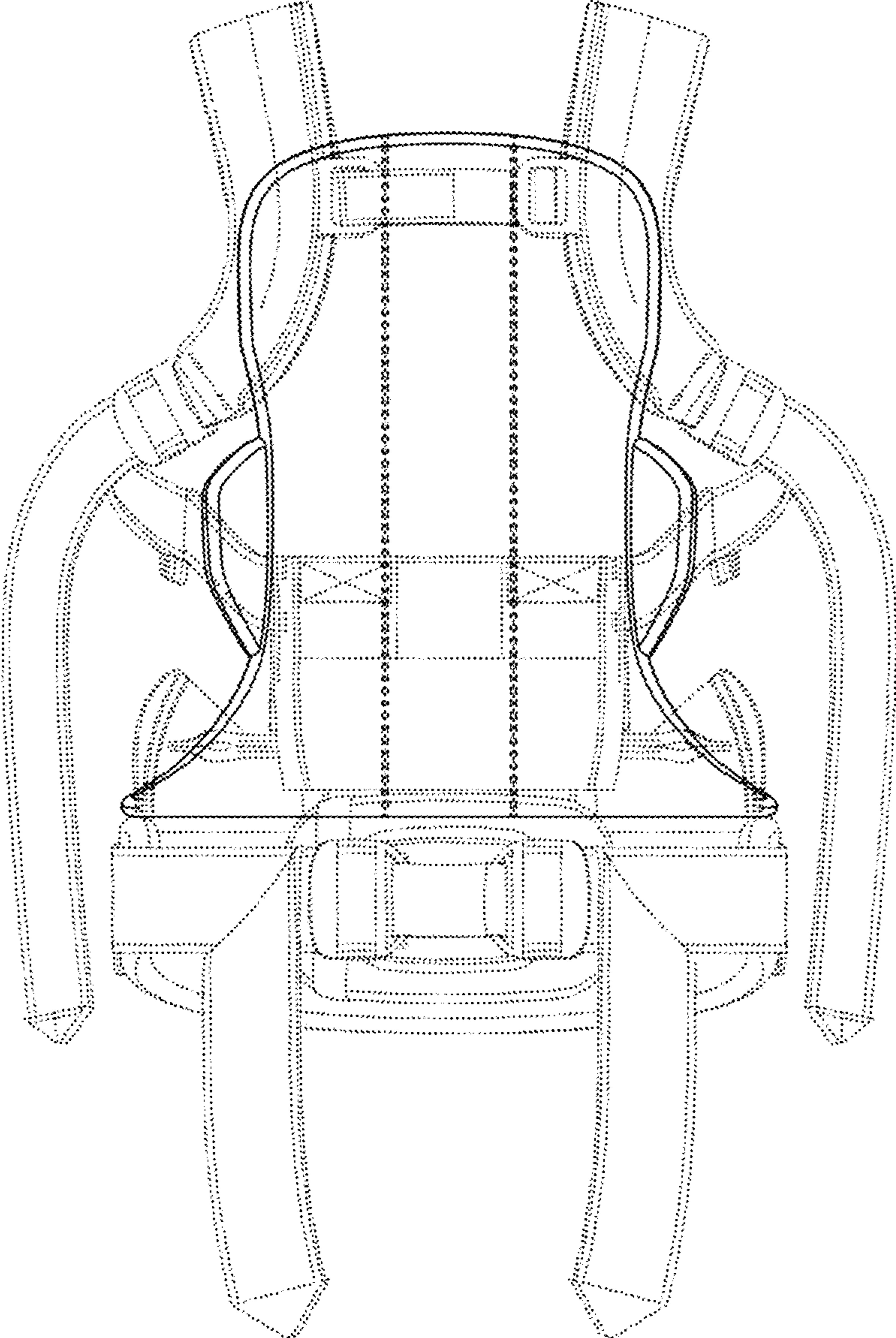


Fig. 4

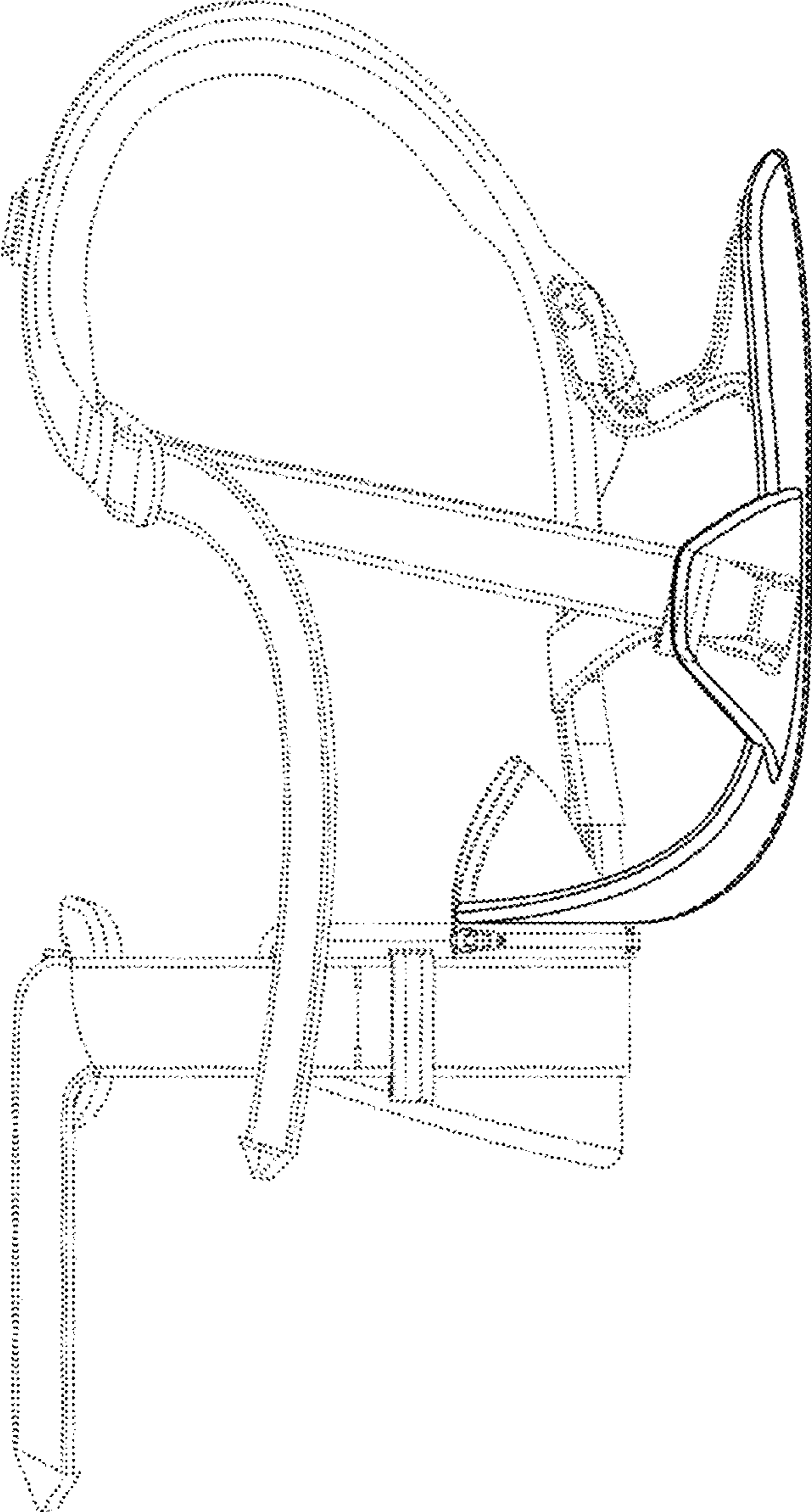


Fig. 5

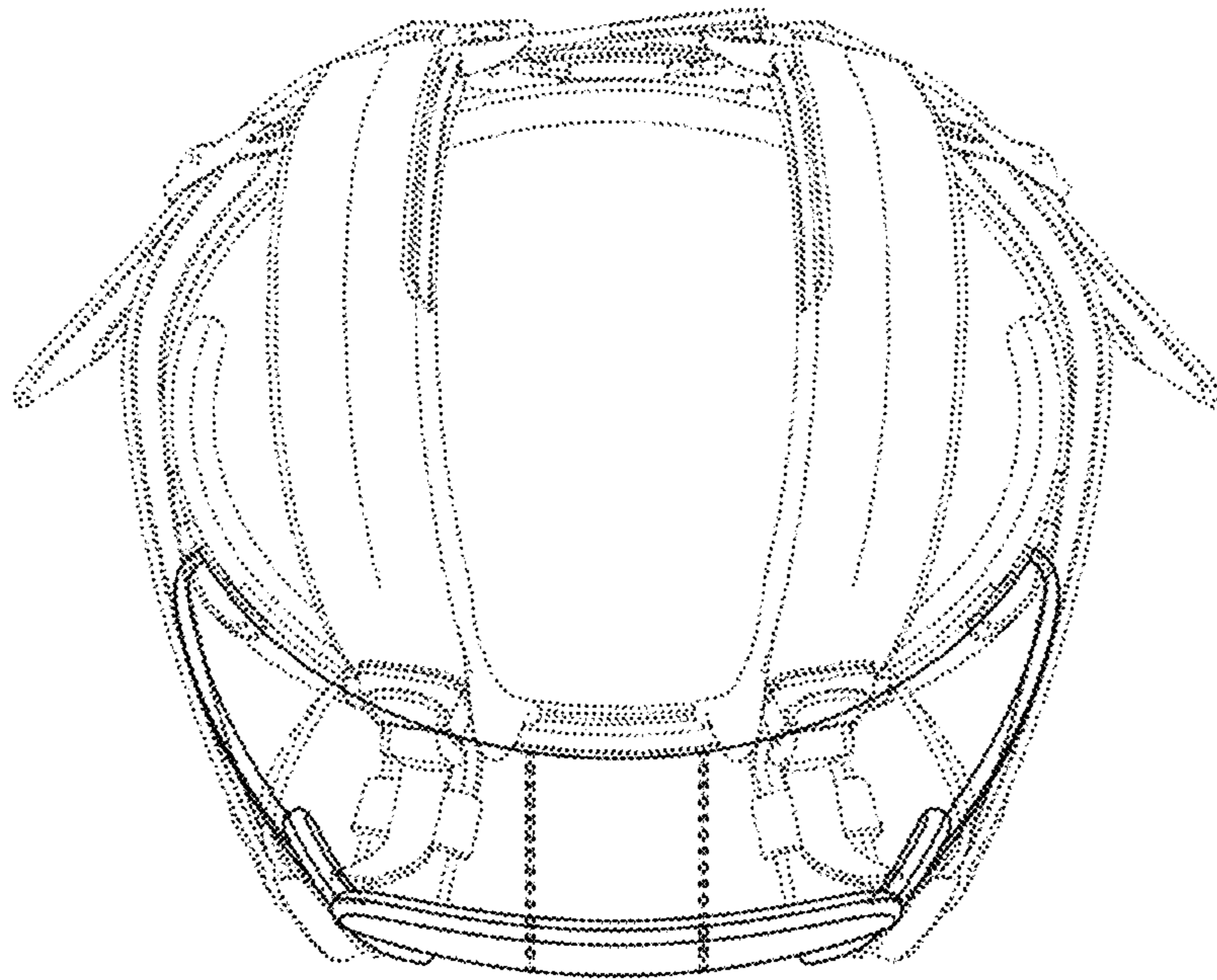


Fig. 6

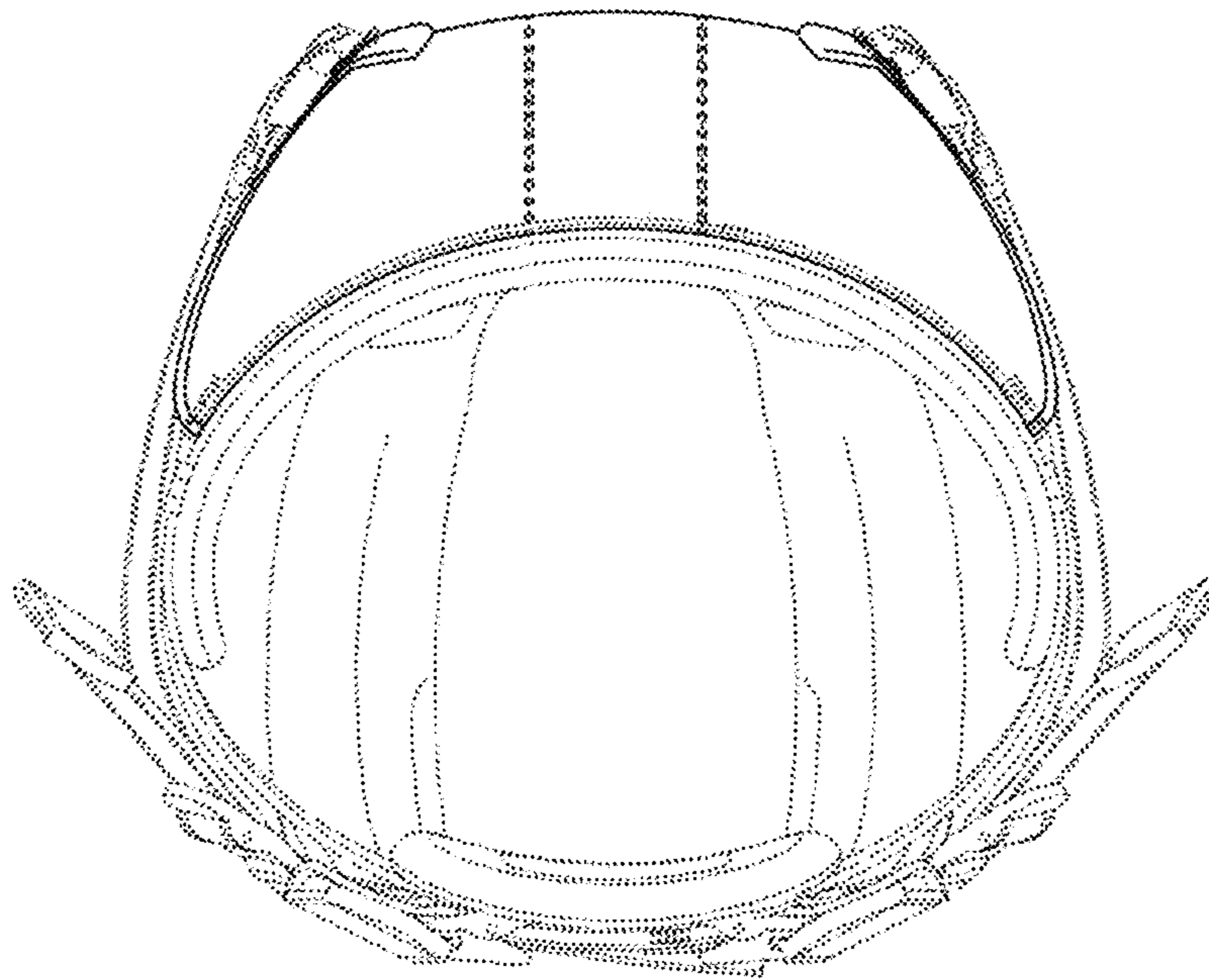


Fig. 7



Fig. 8



Fig. 9

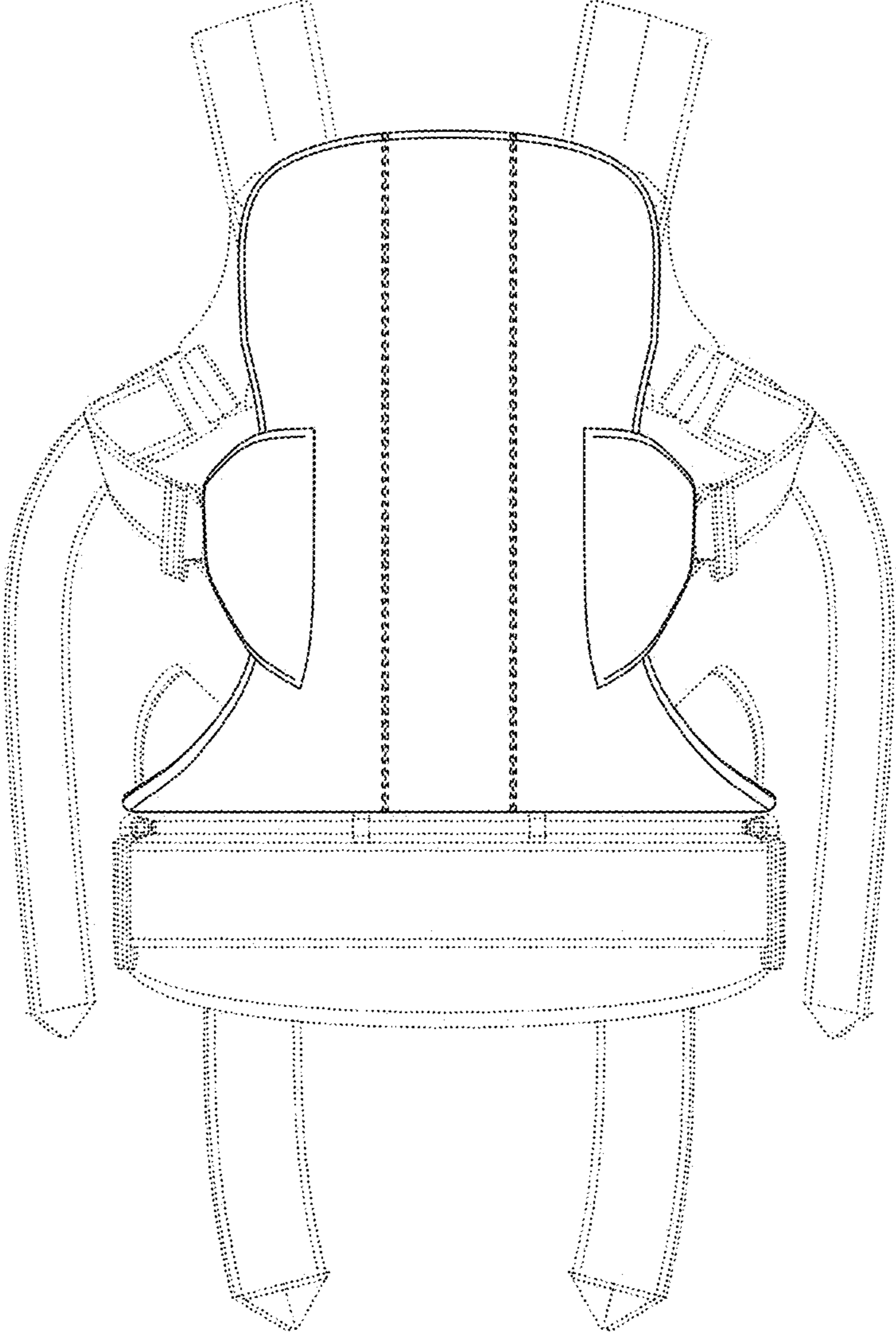


Fig. 10

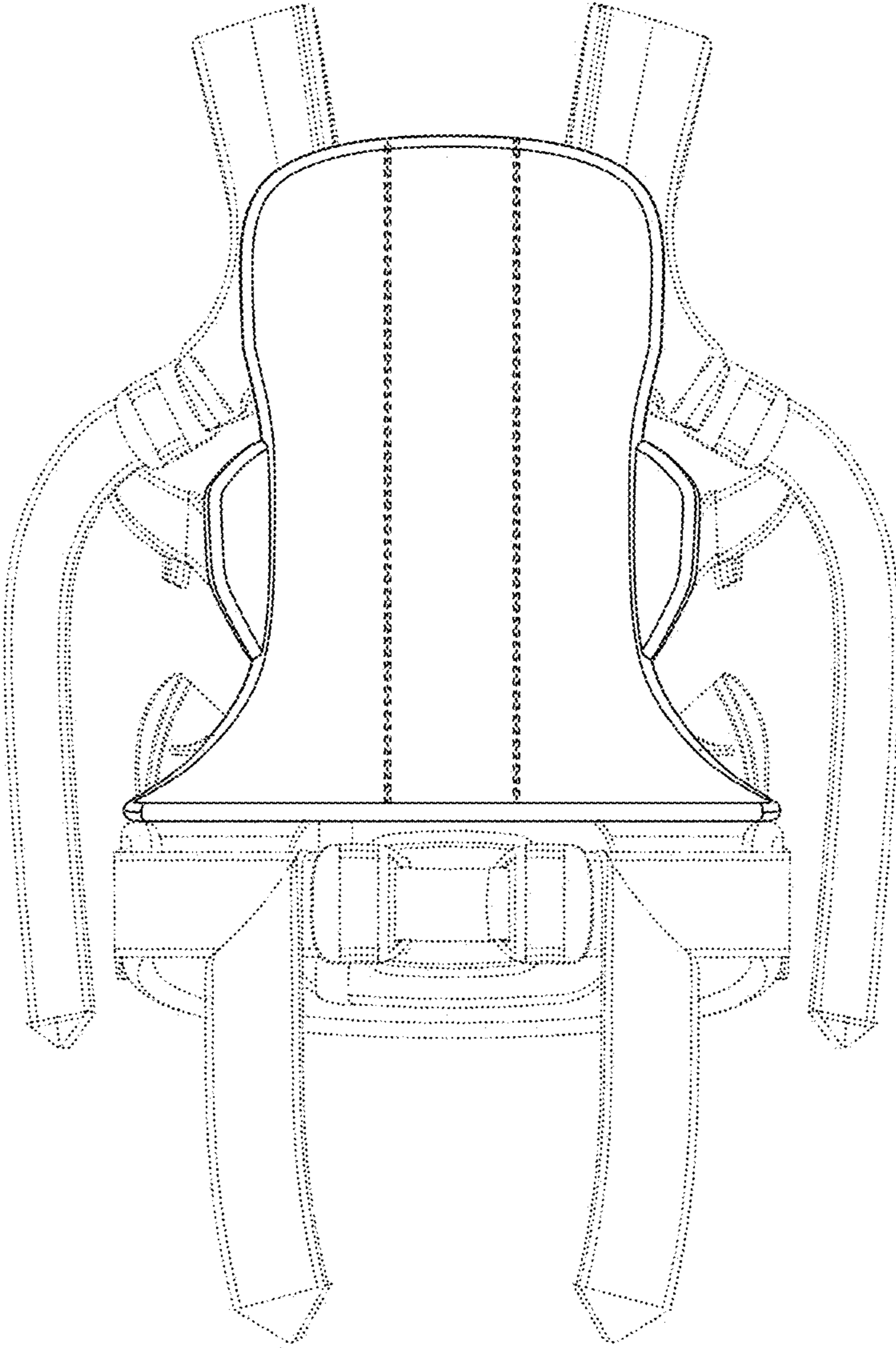


Fig. 11

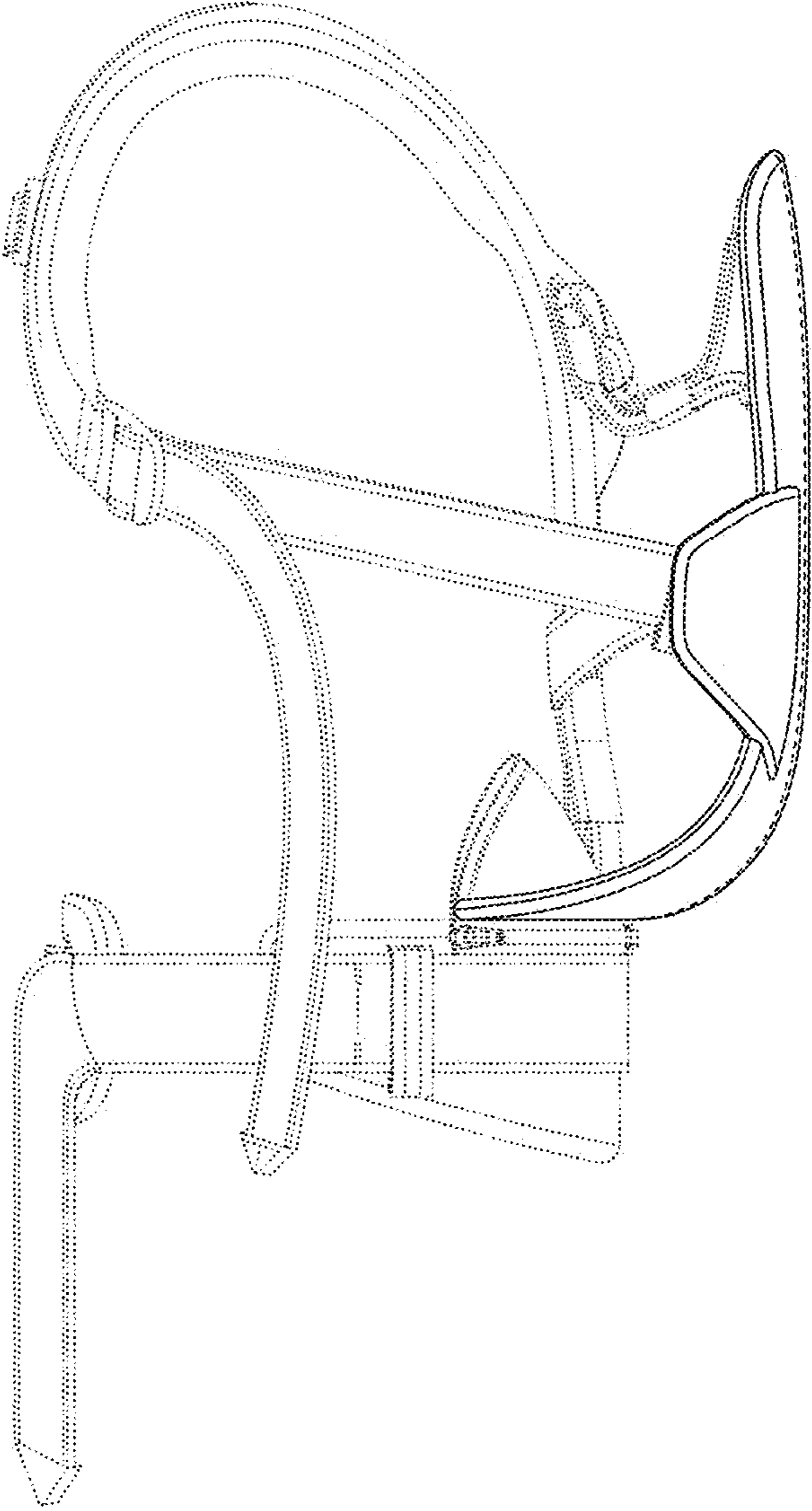


Fig. 12

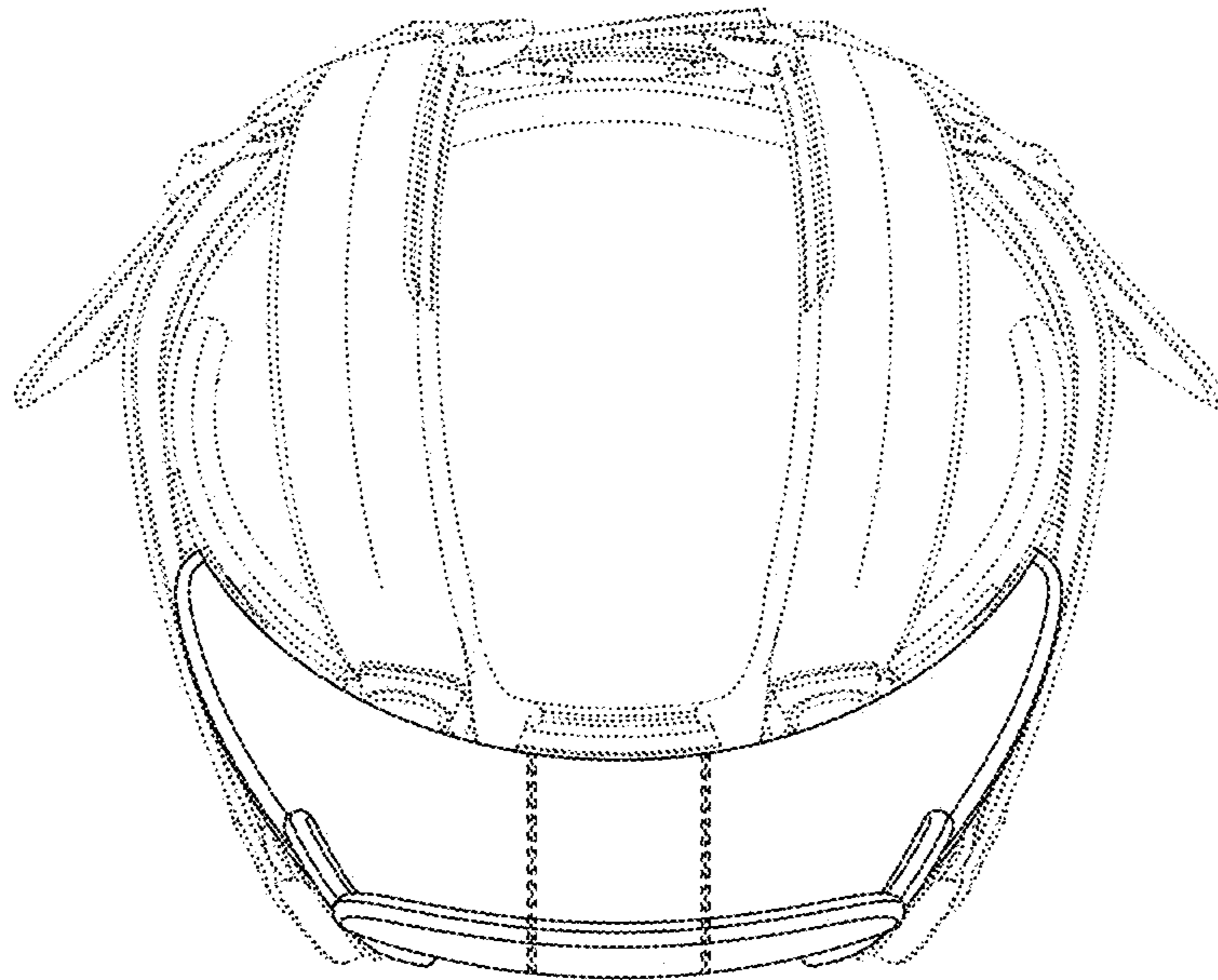


Fig. 13

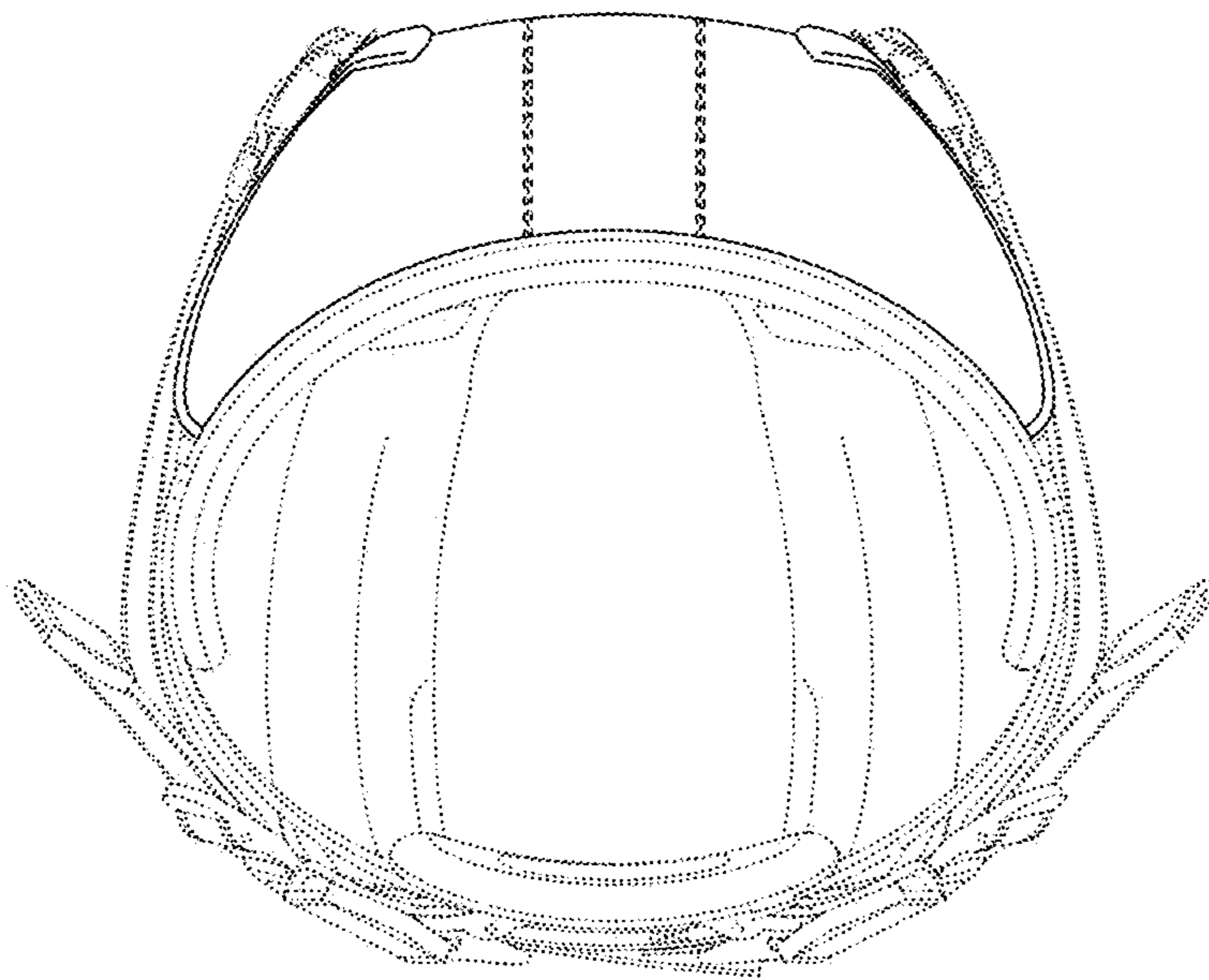


Fig. 14