



US00D975991S

(12) **United States Design Patent**
Simon et al.

(10) **Patent No.:** **US D975,991 S**
(45) **Date of Patent:** **** Jan. 24, 2023**

(54) **CARRYING CASE WITH COMBINATION LOCK**

(71) Applicants: **Shonna Marie Simon**, Rahway, NJ
(US); **Sydney Weiss**, Atlanta, GA (US)

(72) Inventors: **Shonna Marie Simon**, Rahway, NJ
(US); **Sydney Weiss**, Atlanta, GA (US)

(**) Term: **15 Years**

(21) Appl. No.: **29/744,136**

(22) Filed: **Jul. 27, 2020**

(51) **LOC (14) Cl.** **03-01**

(52) **U.S. Cl.**

USPC **D3/201**; D3/274; D7/607

(58) **Field of Classification Search**

USPC D3/201, 232–233, 235–236, 238,
D3/240–242, 244–246, 273–274, 276,
D3/282–283, 286, 289, 304, 315,
D3/318–319, 321; D7/602, 605, 607, 709

CPC A45C 11/20; A45C 3/00; A45C 13/008;
A45C 13/26; A45C 3/06

See application file for complete search history.

(56) **References Cited**

U.S. PATENT DOCUMENTS

D165,239	S *	11/1951	Pichel	D3/242
3,401,535	A *	9/1968	Palmer	F25D 3/00 206/139
3,411,330	A	11/1968	Atkinson		
D273,533	S *	4/1984	Weinreb	D3/268
D340,387	S *	10/1993	Melk	D3/289
D364,320	S	11/1995	Sipe		
D381,871	S *	8/1997	Melk	D7/607
D382,771	S *	8/1997	Mogil	D7/607
D463,960	S *	10/2002	McDonald	D7/709
D464,235	S *	10/2002	Jeong	D3/289
6,513,349	B1	2/2003	Miao		
D472,431	S *	4/2003	Spence, Jr.	D3/289
D515,362	S *	2/2006	Chan	D3/289

7,334,684	B1	2/2008	Fontanilla		
D608,095	S *	1/2010	Turvey	D3/289
D862,177	S *	10/2019	Seiders	D7/607
10,617,188	B1 *	4/2020	Hooks	G08B 21/0297
D922,767	S *	6/2021	Stone	D3/274

(Continued)

OTHER PUBLICATIONS

www.vaultz.com, Jun. 25, 2020, "Vaultz-Locking Storage/Official Site".

(Continued)

Primary Examiner — Jennifer L Watkins

Assistant Examiner — Samantha Lynne Brodowski

(74) *Attorney, Agent, or Firm* — Walter J. Tencza, Jr.

(57) **CLAIM**

The ornamental design for the carrying case with combination lock, as shown and described.

DESCRIPTION

FIG. 1 is a front, right, and top perspective view of a carrying case with combination lock in accordance with the present invention,

FIG. 2 is a front elevational view of the carrying case with combination lock of FIG. 1;

FIG. 3 is a rear elevational view of the carrying case with combination lock of FIG. 1;

FIG. 4 is a left side elevational view of the carrying case with combination lock of FIG. 1;

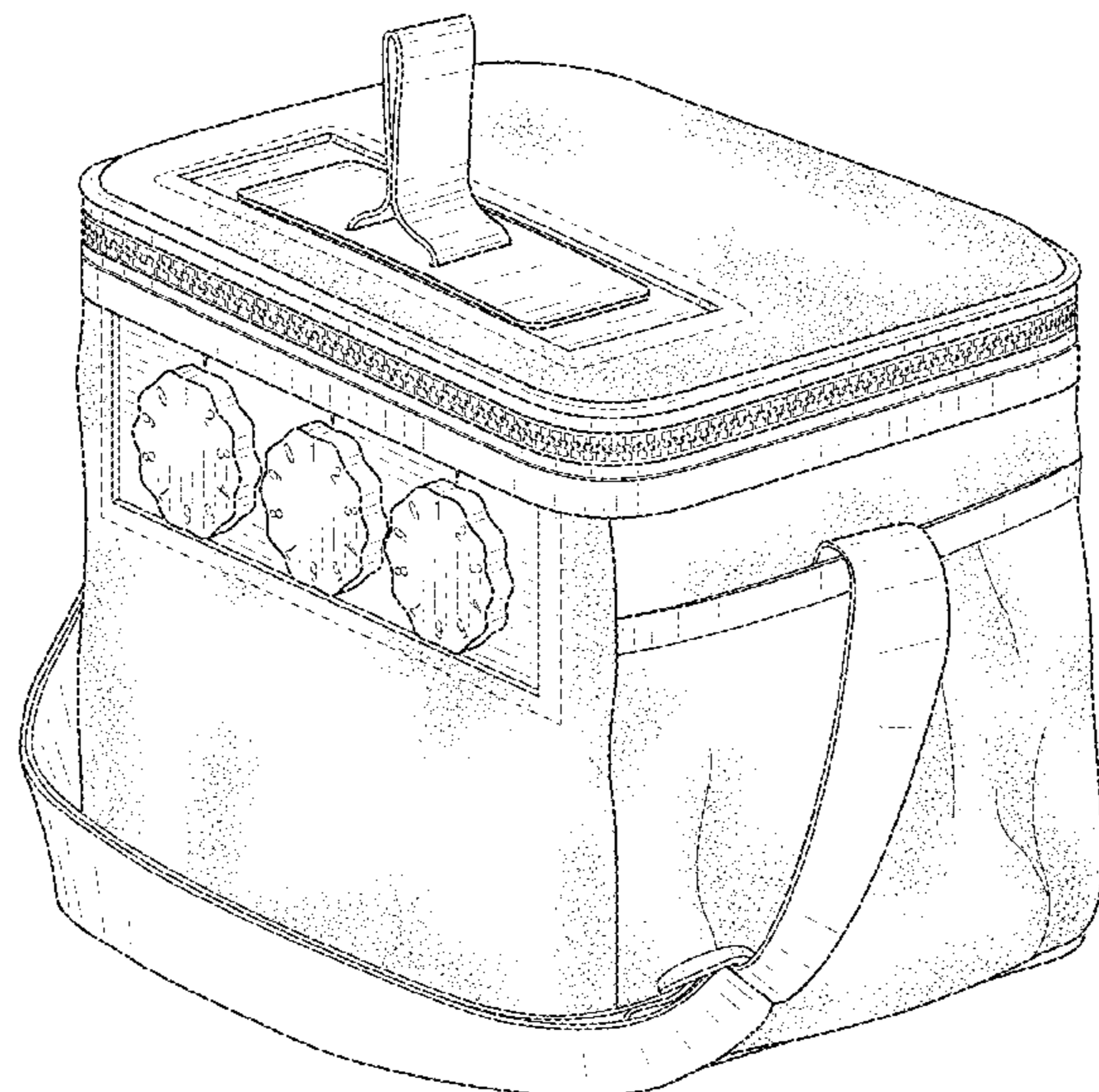
FIG. 5 is a right side elevational view of the carrying case with combination lock of FIG. 1;

FIG. 6 is a top plan view of the carrying case with combination lock of FIG. 1; and,

FIG. 7 is a bottom view of the carrying case with combination lock of FIG. 1.

The broken lines in the figures depict stitching and form no part of the claimed design.

1 Claim, 7 Drawing Sheets



(56)

References Cited

U.S. PATENT DOCUMENTS

2007/0261977 A1* 11/2007 Sakai A45C 13/008
206/315.11
2008/0236611 A1* 10/2008 Redzisz A45C 15/04
206/581
2009/0294455 A1 12/2009 Pruchnicki
2012/0080350 A1 4/2012 Powell
2015/0335119 A1* 11/2015 Baker A45C 13/30
206/545
2020/0141623 A1 5/2020 Jayasinhe
2022/0022616 A1* 1/2022 Simon A45C 13/18

OTHER PUBLICATIONS

www.lunchlocka.com, Jun. 25, 2020, "Lunch Locka—The Locking Lunch Bag".

* cited by examiner

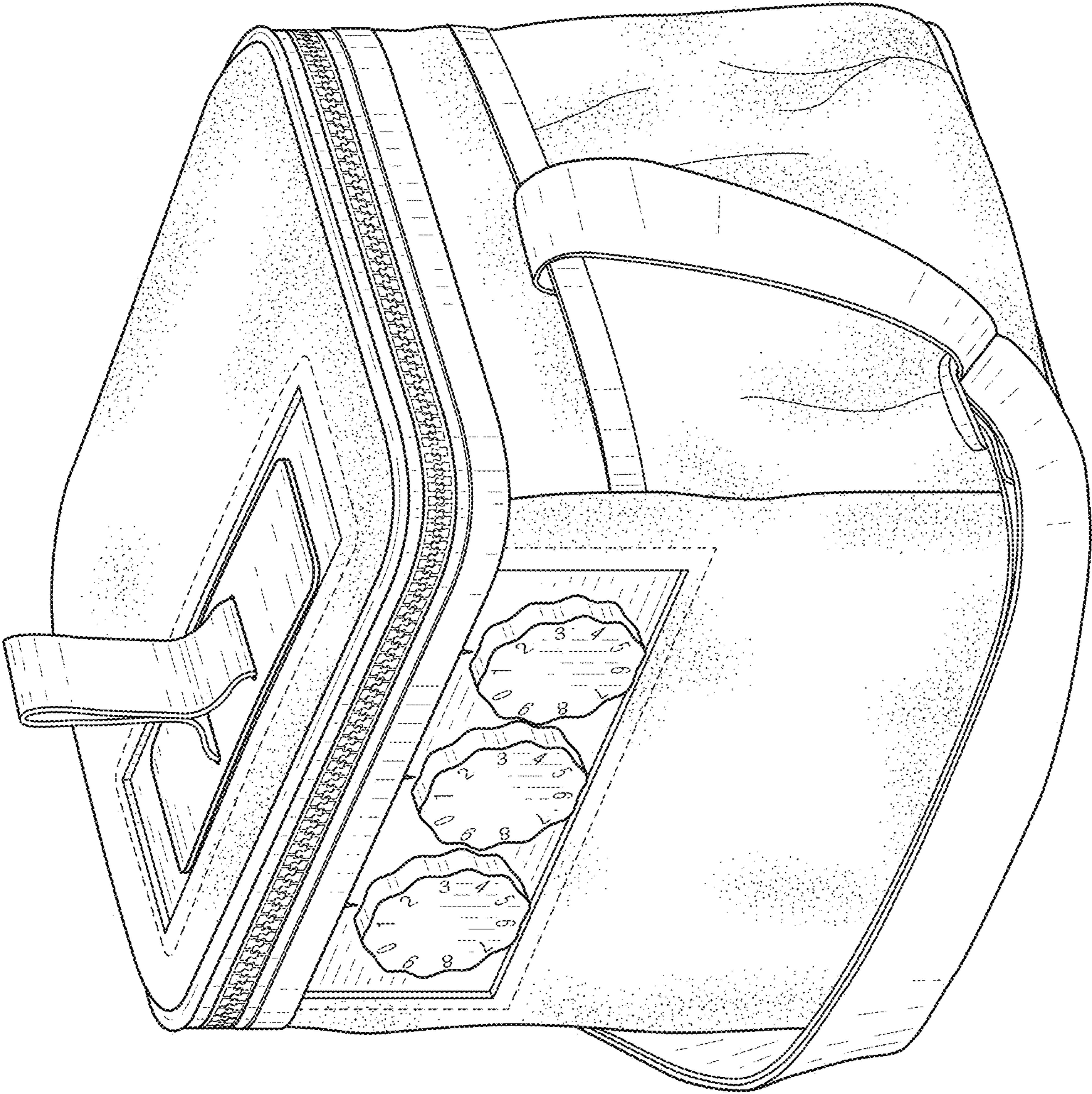


FIG. 1

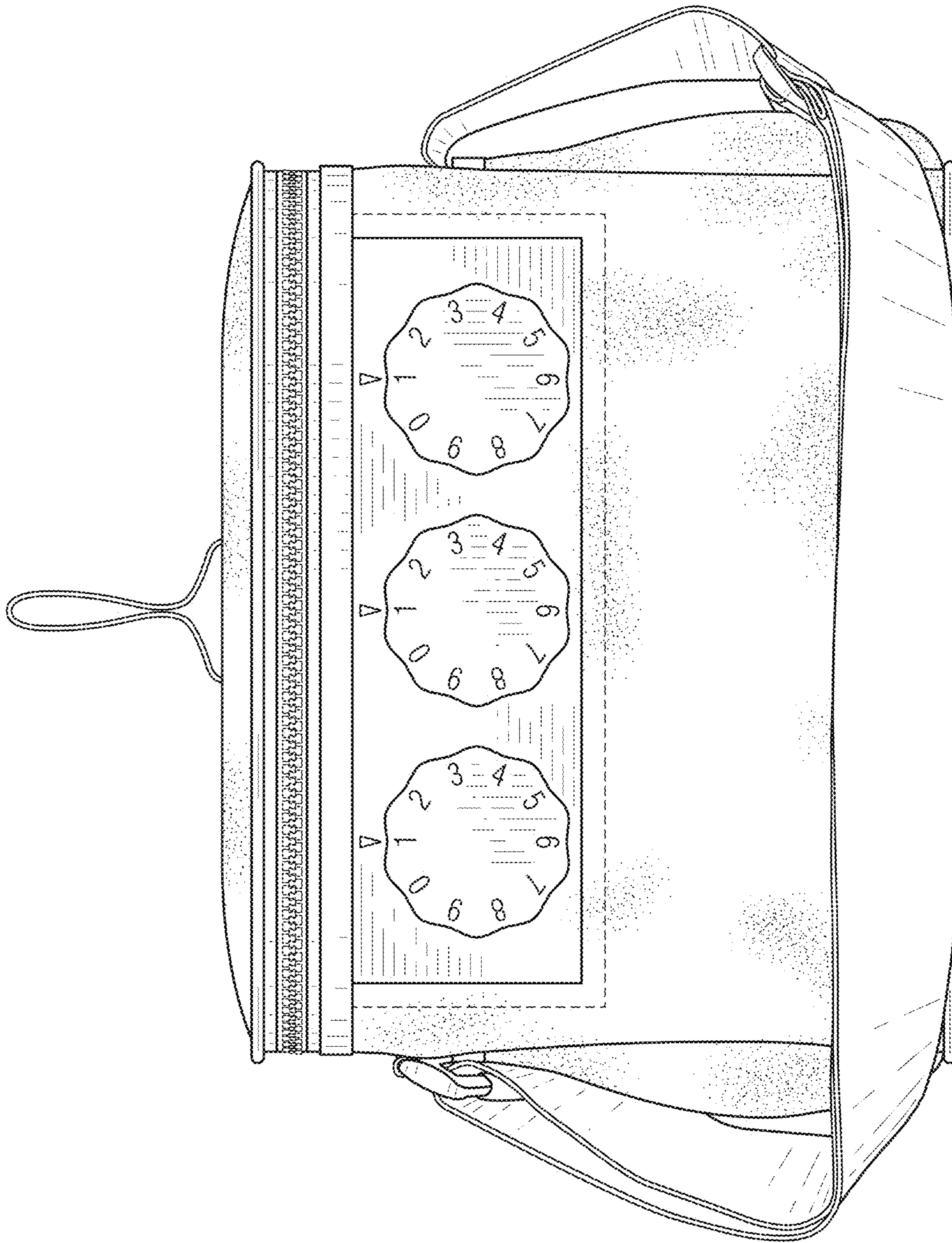


FIG. 2

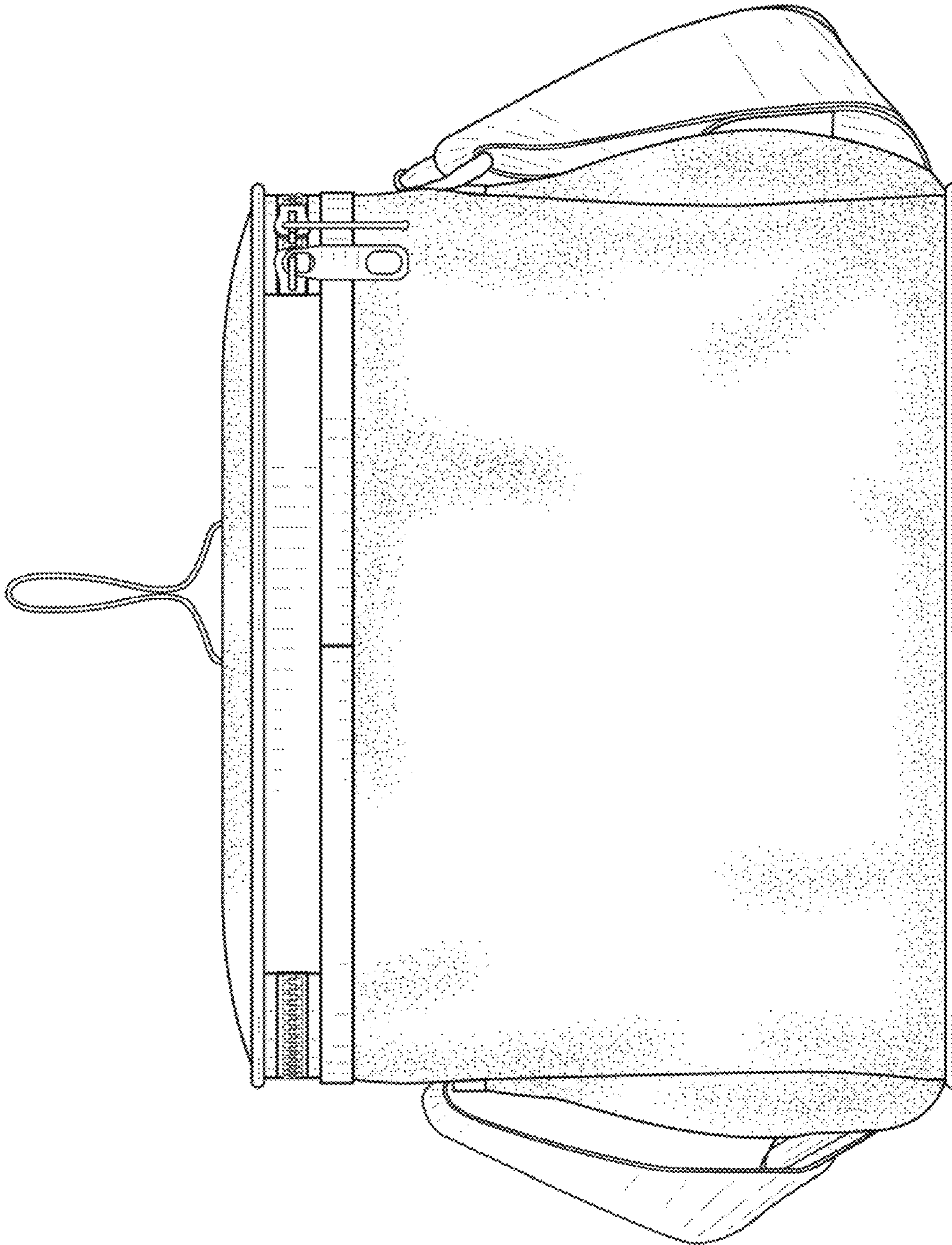


FIG. 3

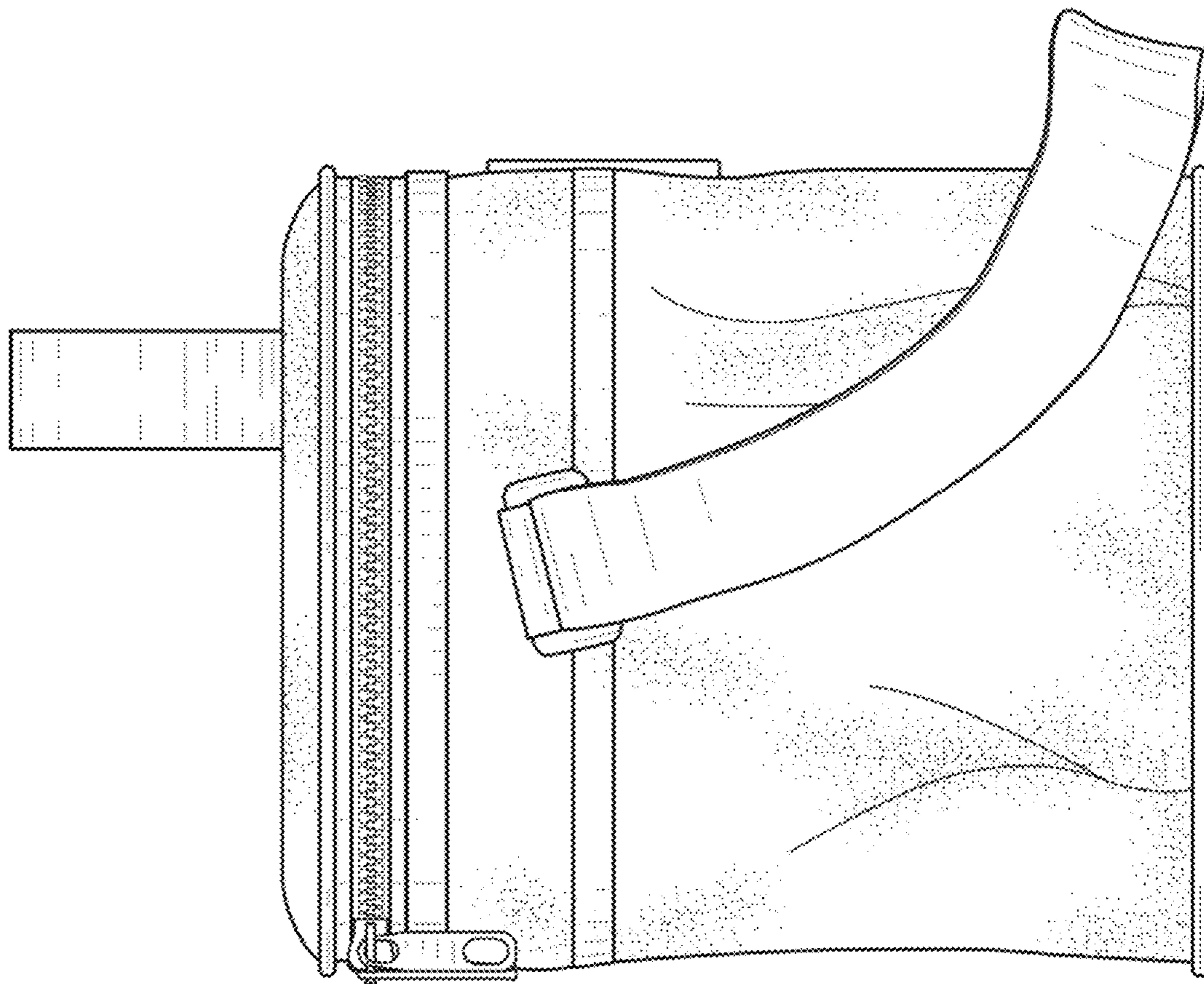


FIG. 4

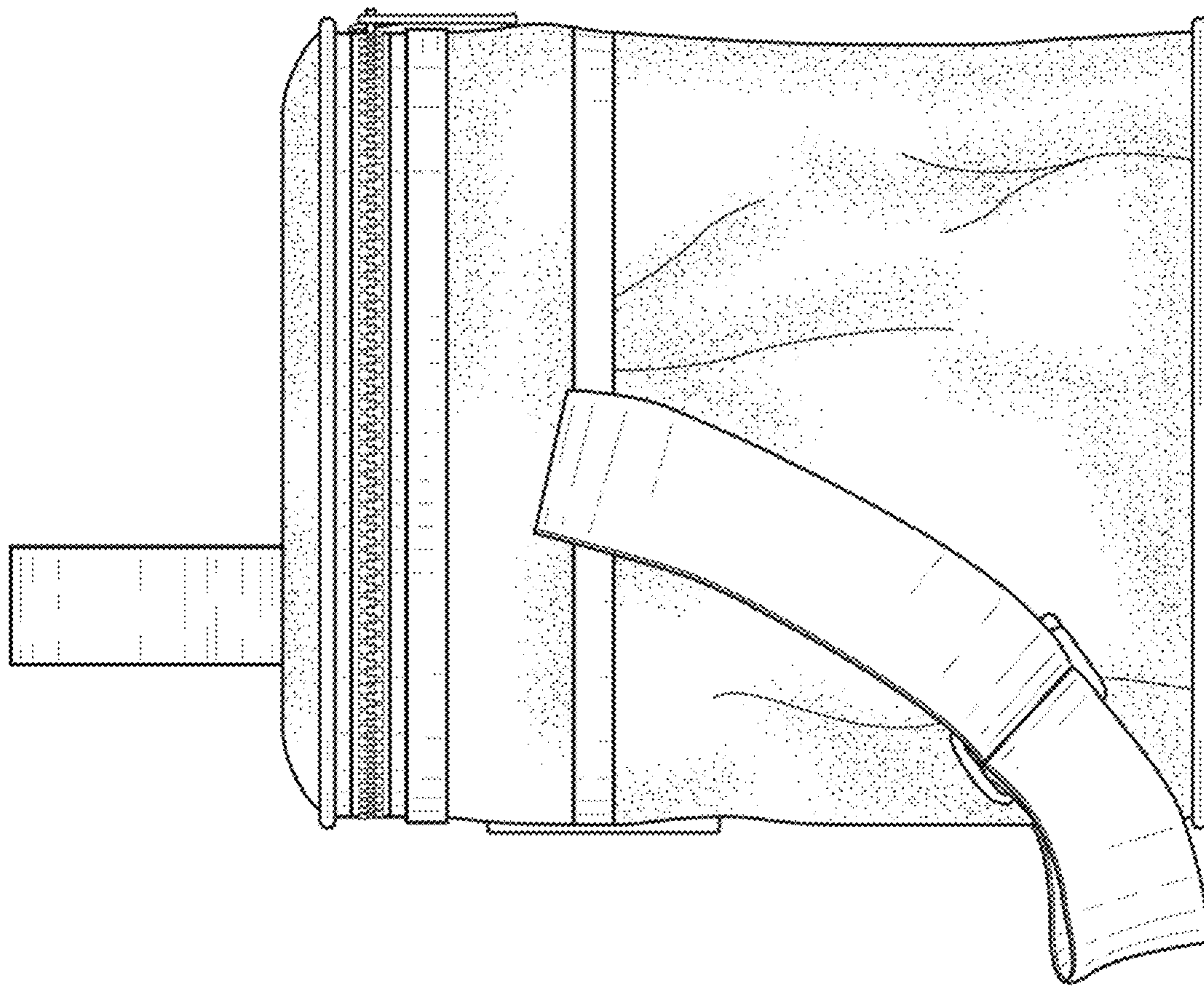


FIG. 5

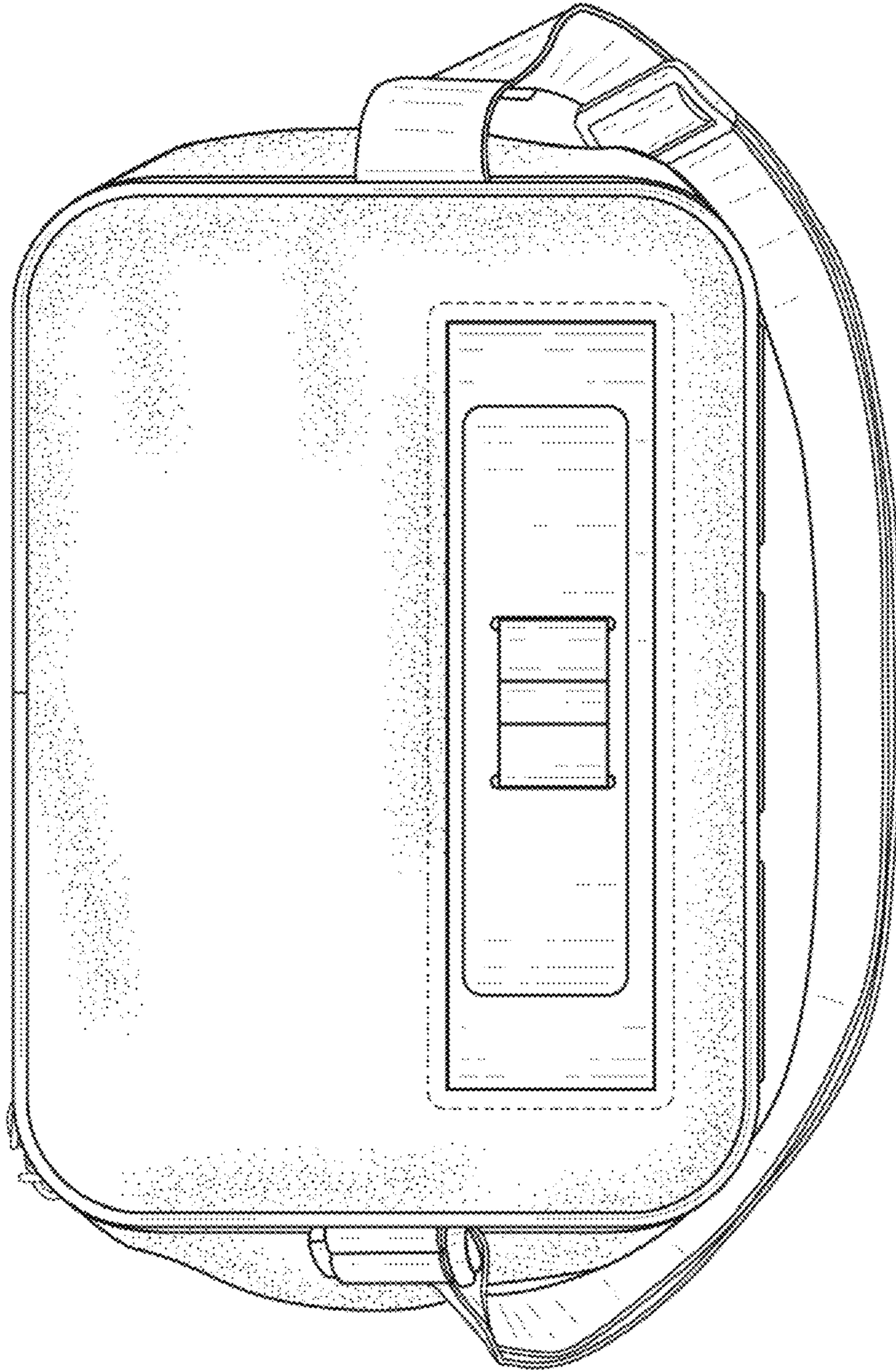


FIG. 6

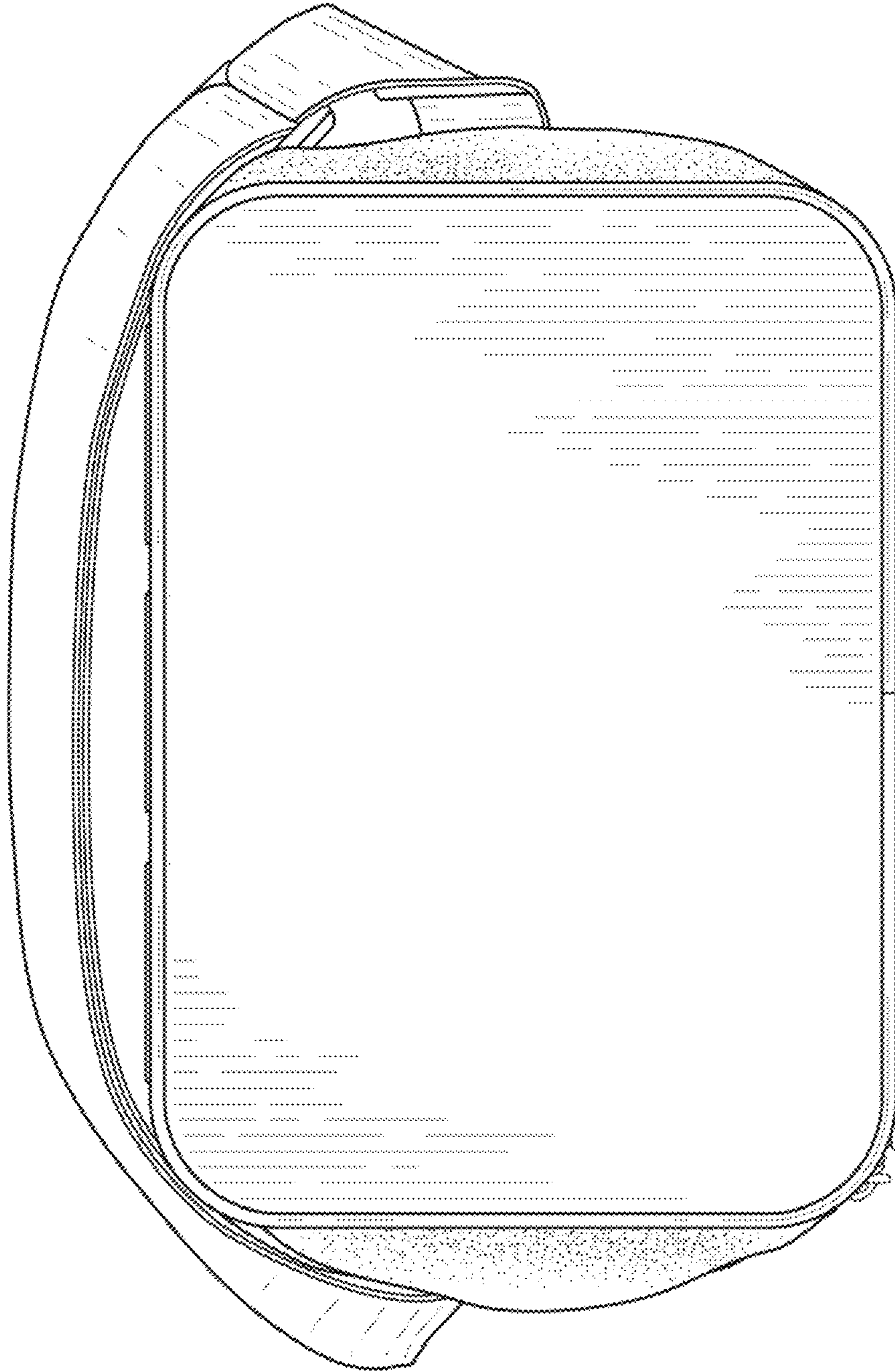


FIG. 7