



US00D975975S

(12) **United States Design Patent**
Lin

(10) **Patent No.:** **US D975,975 S**
(45) **Date of Patent:** **** Jan. 24, 2023**

(54) **SLIPPER**

(71) Applicant: **EASTVINCI INC.**, Brighton, CO (US)

(72) Inventor: **Qifeng Lin**, Shenzhen (CN)

(73) Assignee: **EASTVINCI INC.**, Brighton, CO (US)

(**) Term: **15 Years**

(21) Appl. No.: **29/851,839**

(22) Filed: **Aug. 31, 2022**

(30) **Foreign Application Priority Data**

Aug. 22, 2022 (CN) 202230548684.4

(51) **LOC (14) Cl.** **02-04**

(52) **U.S. Cl.**
USPC **D2/919**

(58) **Field of Classification Search**
USPC D2/896, 900, 902, 904, 906–908,
D2/916–924, 925–945, 969–979
CPC A43B 1/00; A43B 1/02; A43B 1/04; A43B
3/00; A43B 3/02; A43B 3/06; A43B 3/10;
A43B 3/12; A43B 3/14; A43B 5/00;
A43B 5/001; A43B 5/008; A43B 5/10;
A43B 5/12; A43B 23/00; A43B 23/02;
A43B 23/04

See application file for complete search history.

(56) **References Cited**

U.S. PATENT DOCUMENTS

- D229,901 S * 1/1974 Crowley D11/55
- D232,061 S * 7/1974 Christiansen D11/55
- D415,606 S * 10/1999 Bray, Jr. D2/919
- D457,714 S * 5/2002 Bray, Jr. D2/919
- D464,584 S * 10/2002 Tsukayama D11/55
- D476,686 S * 7/2003 Johnson D19/86
- D478,592 S * 8/2003 Heard D14/403
- D486,956 S * 2/2004 Williams D2/919
- D488,616 S * 4/2004 Viering D2/919

- D515,729 S * 2/2006 Haywood D27/106
- D520,078 S * 5/2006 Pollack D21/453
- D586,541 S * 2/2009 Michkine et al.
- D657,000 S * 4/2012 Nelson D21/453
- D676,776 S * 2/2013 Williams D11/26

(Continued)

FOREIGN PATENT DOCUMENTS

- EM 009154727-0001 * 8/2022
- GB 6228159 * 8/2022

OTHER PUBLICATIONS

Amazon_Smiley Face Slippers, posted Jul. 18, 2022 [online], [retrieved Nov. 3, 2022]. Retrieved from internet, https://www.amazon.com/Unisex-Smiley-Slippers-Outdoor-Brown-43-44/dp/B0B6WLYNL5/ref=sr_1_1?qid=1667530145&refinements=p_4%3ADakinF%E2%80%A6 (Year: 2022).*

(Continued)

Primary Examiner — Michelle E. Wilson
Assistant Examiner — Christen Pilar Brown
(74) *Attorney, Agent, or Firm* — Jeenam Park

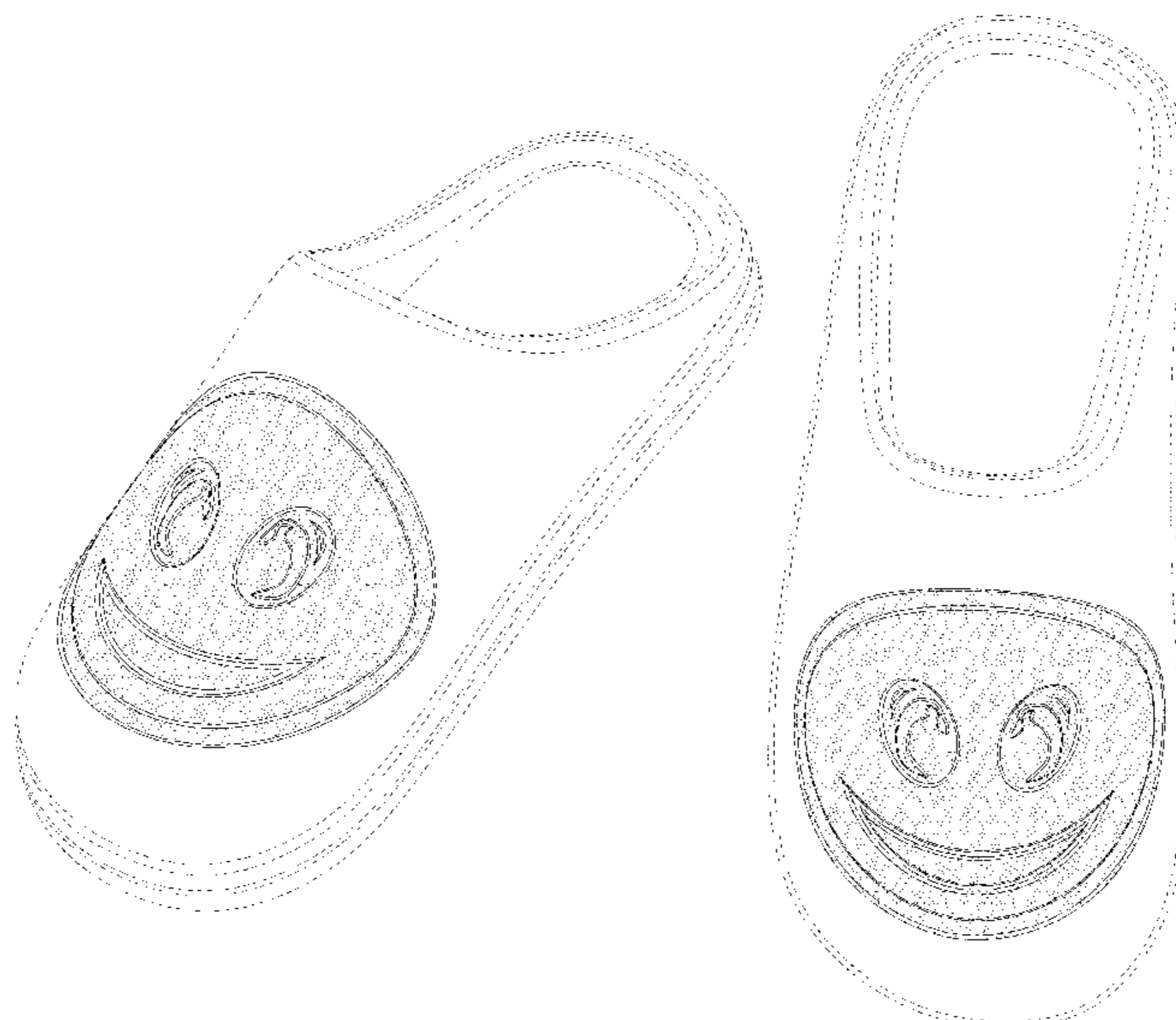
(57) **CLAIM**

The ornamental design for a slipper, as shown and described.

DESCRIPTION

FIG. 1 is a front, right and bottom perspective view of a slipper, showing my new design;
FIG. 2 is a front, left and bottom perspective view thereof;
FIG. 3 is a front view thereof;
FIG. 4 is a rear view thereof;
FIG. 5 is a left side view thereof;
FIG. 6 is a right side view thereof;
FIG. 7 is a top plan view thereof; and,
FIG. 8 is a bottom plan view thereof.
The broken lines shown in the drawings illustrate portions of the slipper that form no part of the claimed design.

1 Claim, 8 Drawing Sheets



(56)

References Cited

U.S. PATENT DOCUMENTS

D676,777 S * 2/2013 Williams D11/26
D676,778 S * 2/2013 Williams D11/26
D803,085 S * 11/2017 Hagen D11/83
D893,346 S * 8/2020 McCracken D11/157
D896,480 S * 9/2020 Chen D2/919
D900,665 S * 11/2020 Gad D11/79
D920,641 S * 6/2021 Xiaoxi D2/919
D930,958 S * 9/2021 Dayon D2/919
D933,942 S * 10/2021 Williams D2/919
D950,203 S 5/2022 Chen
2005/0139417 A1 * 6/2005 Quast F01N 13/082
181/227
2006/0182859 A1 * 8/2006 Arend A21D 13/47
426/503

OTHER PUBLICATIONS

Winter Cute Smiling Face Slippers, posted [online], [retrieved Nov. 9, 2022]. Retrieved from internet, https://www.alibaba.com/product-detail/Winter-Cute-Smiling-Face-Warm-Cotton_1600358646356.html (Year: 2022).*

* cited by examiner

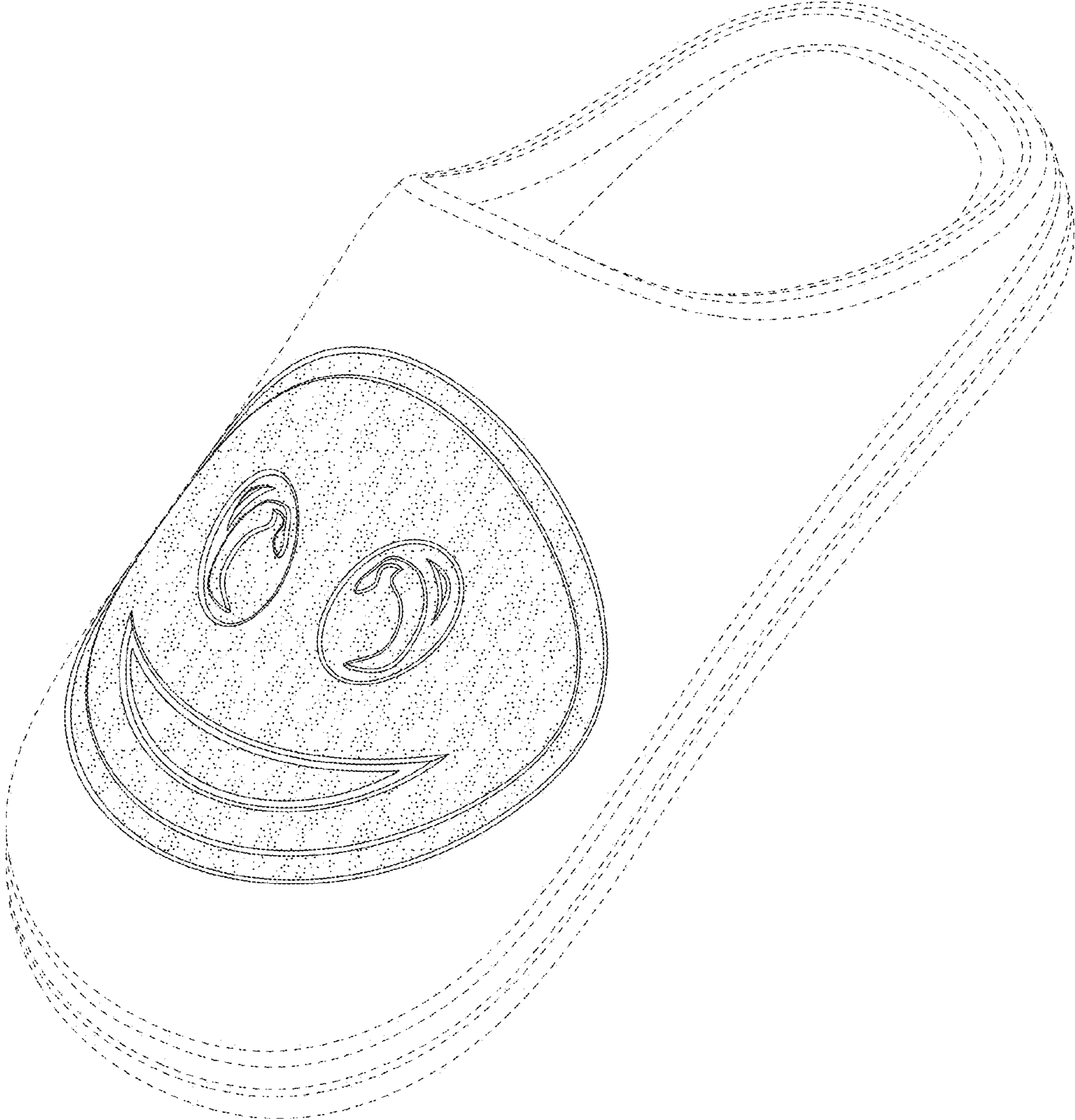


FIG. 1

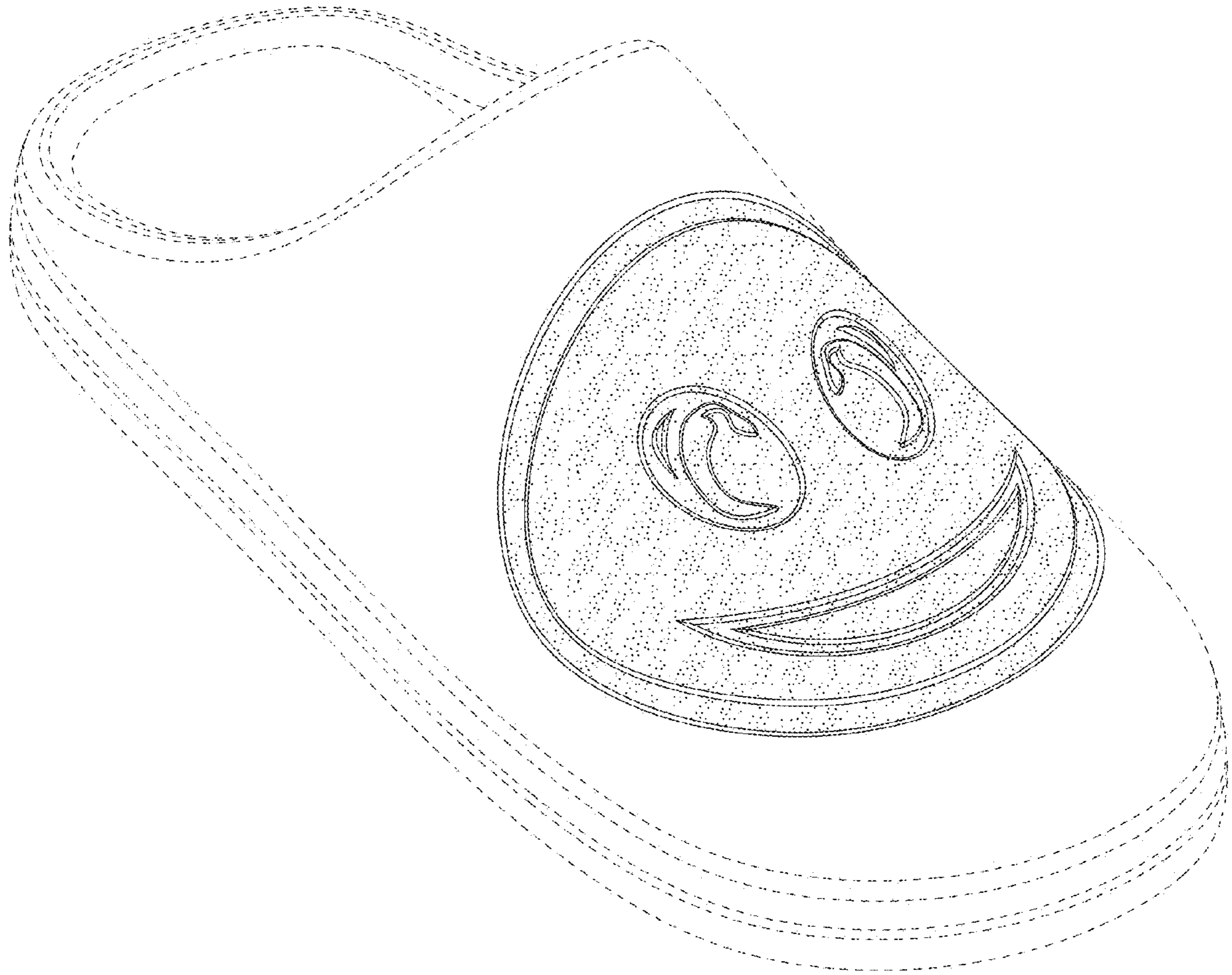


FIG. 2

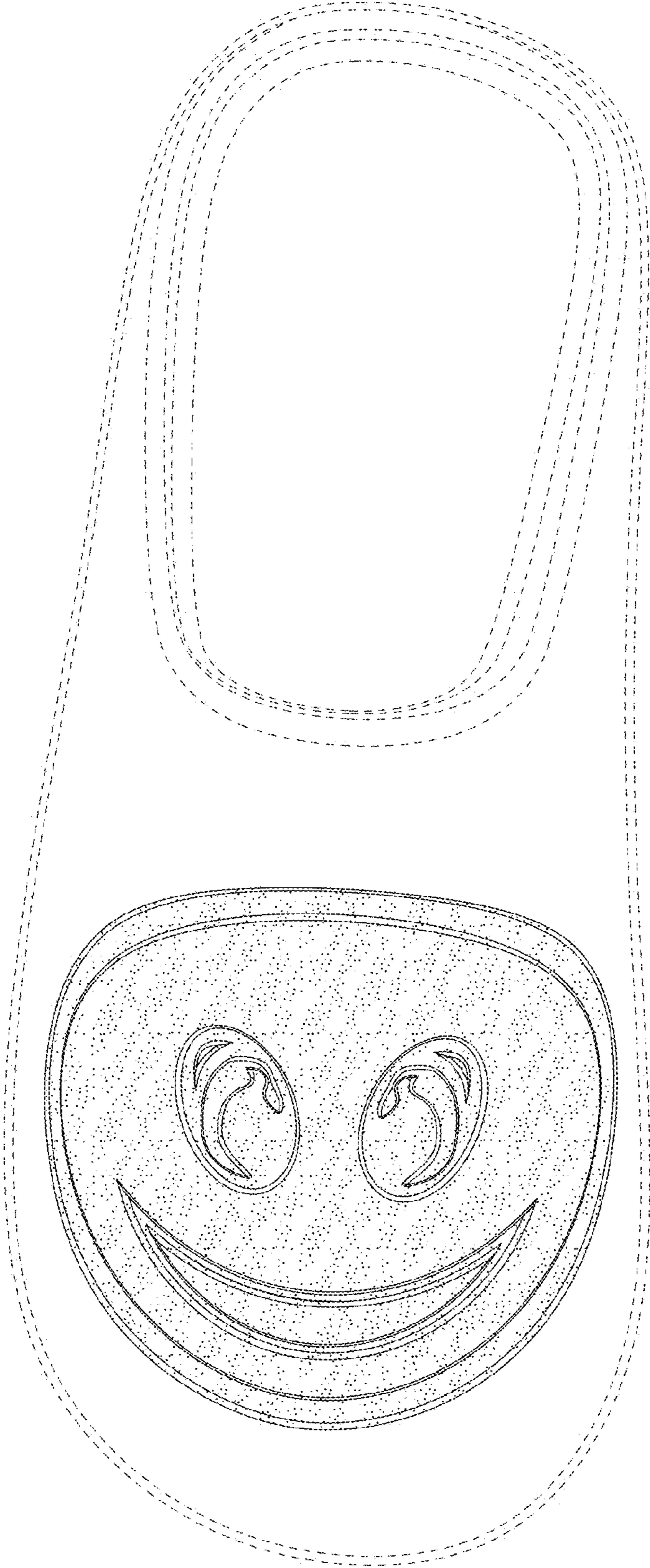


FIG. 3

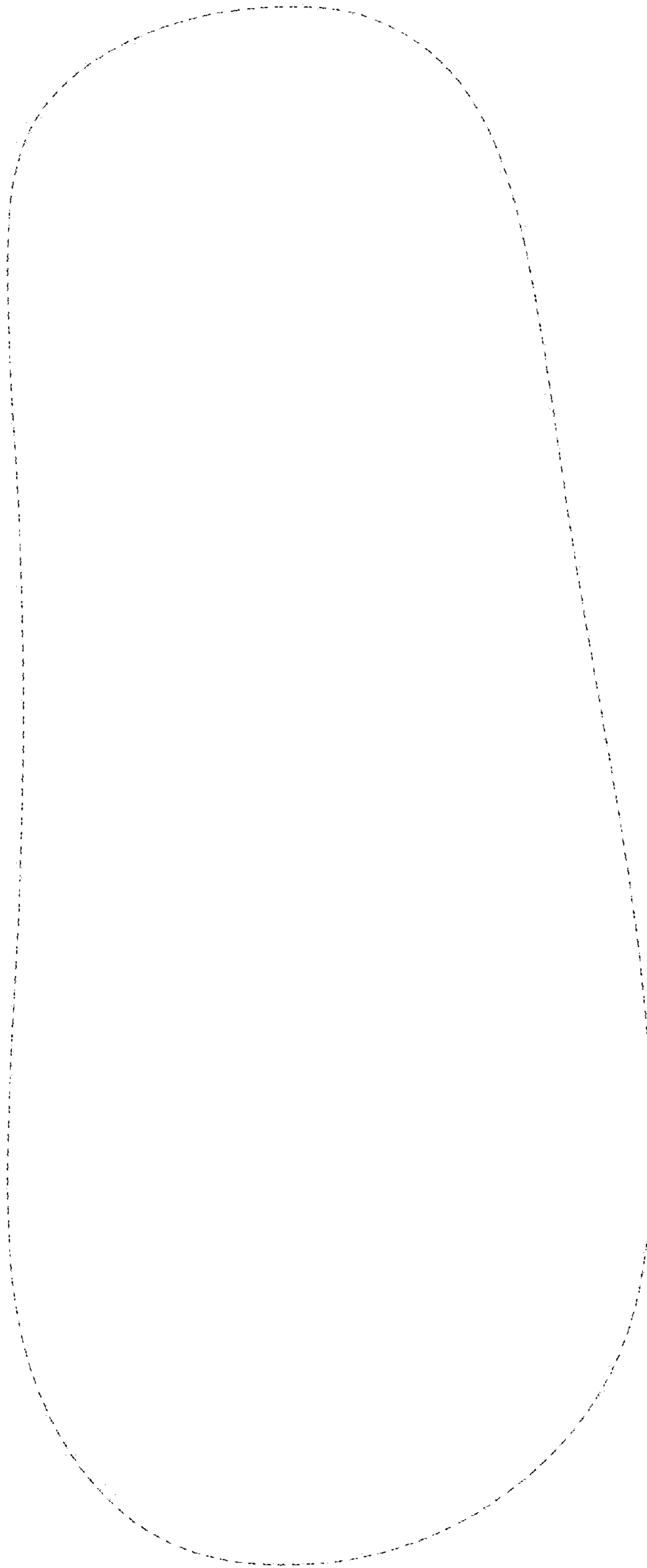


FIG. 4

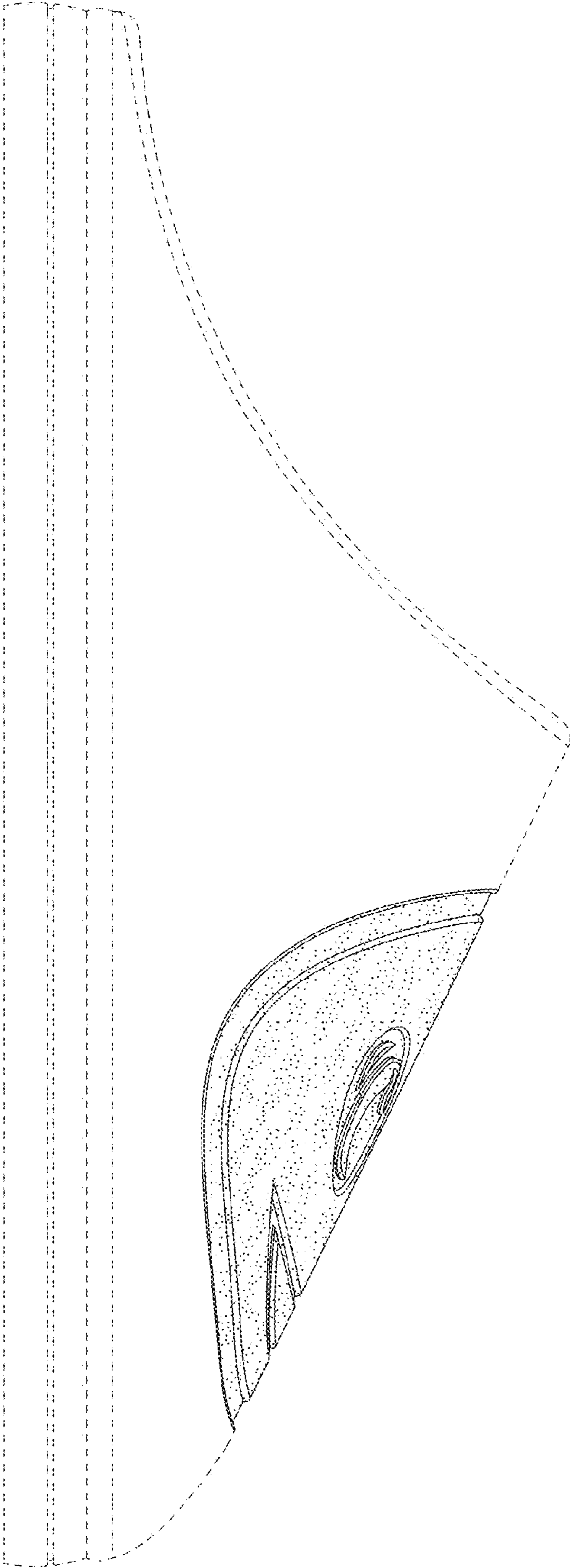


FIG. 5

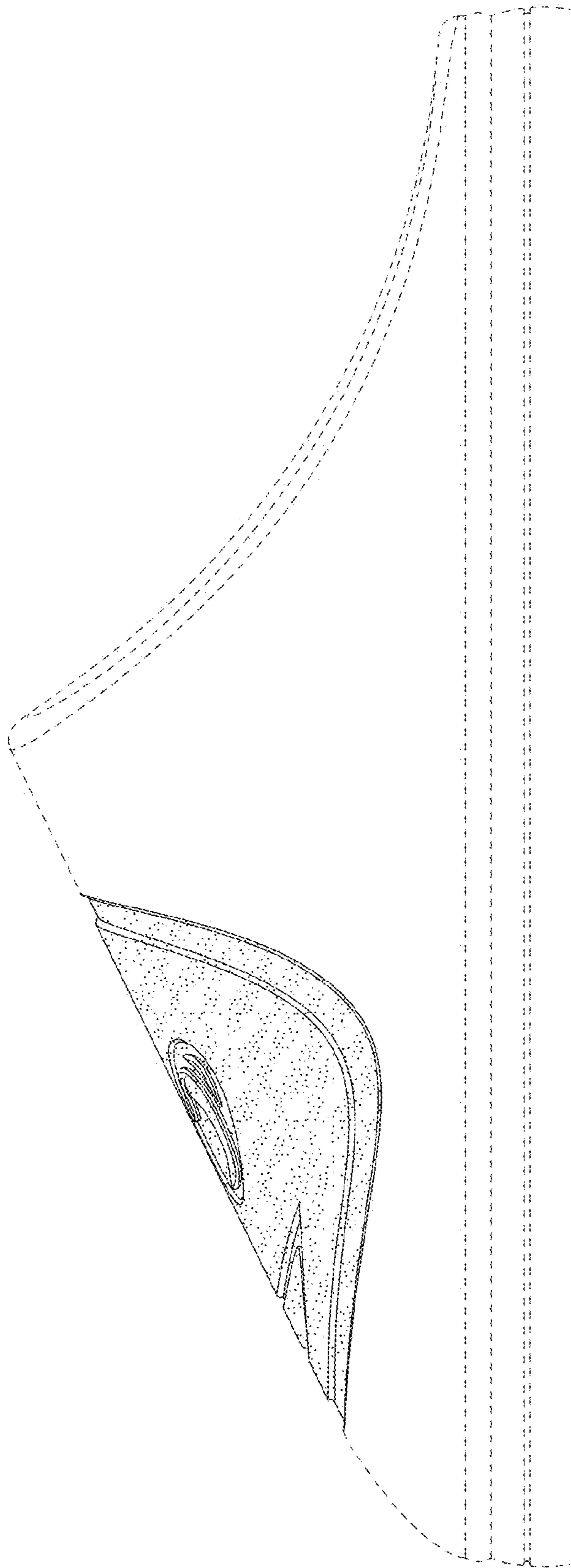


FIG. 6

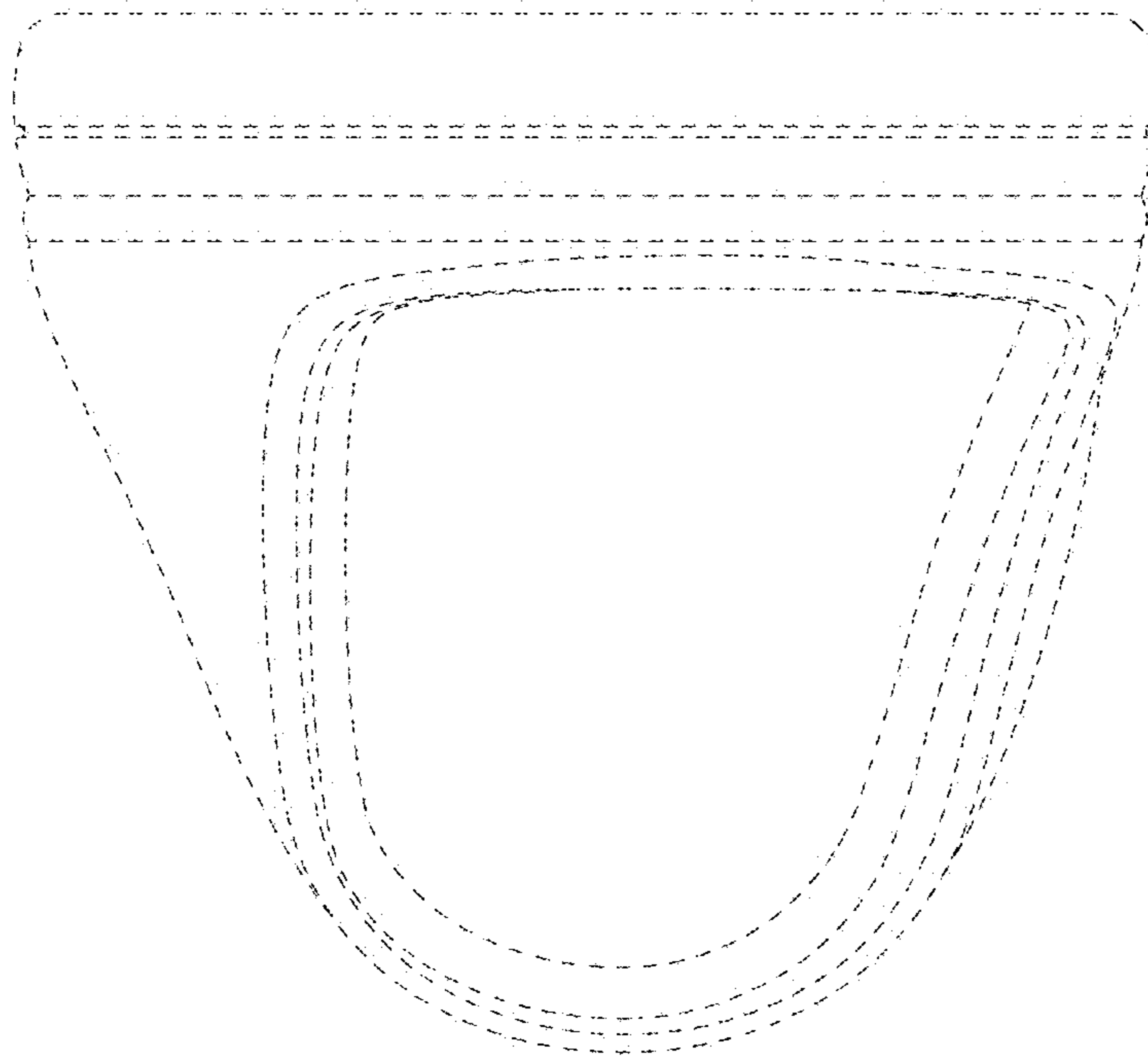


FIG. 7

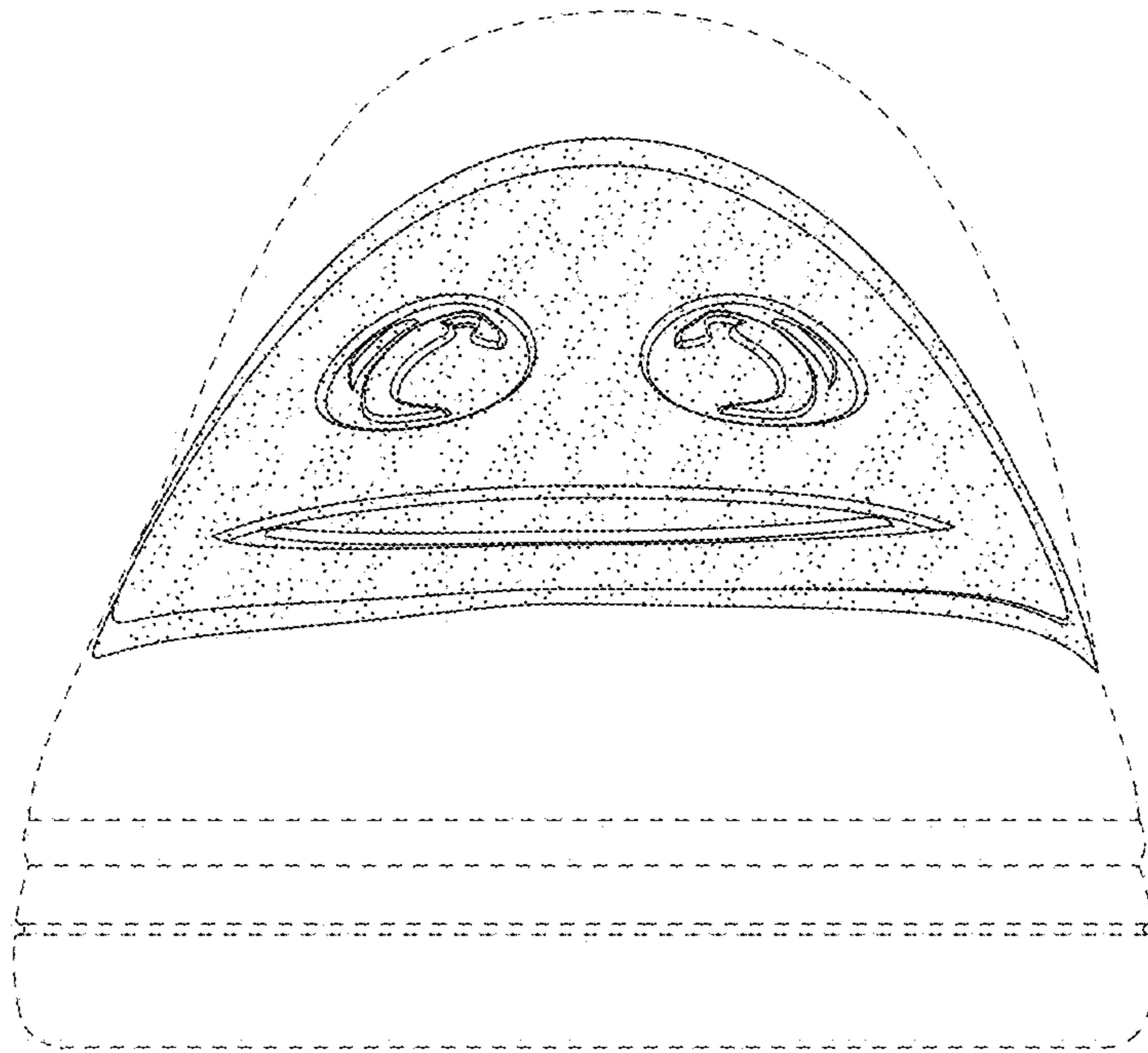


FIG. 8