



US00D975974S

(12) **United States Design Patent**  
**Qu**

(10) **Patent No.:** **US D975,974 S**

(45) **Date of Patent:** **\*\* Jan. 24, 2023**

(54) **SHOE**

(71) Applicant: **Jinxin Qu**, Weifang (CN)

(72) Inventor: **Jinxin Qu**, Weifang (CN)

(\*\*) Term: **15 Years**

(21) Appl. No.: **29/817,438**

(22) Filed: **Dec. 1, 2021**

(51) **LOC (14) Cl.** ..... **02-04**

(52) **U.S. Cl.**  
USPC ..... **D2/912; D2/944; D2/957**

(58) **Field of Classification Search**  
USPC ..... D2/896-900, 909-912, 920, 943, 944,  
D2/946, 957, 958, 969, 970-974

CPC ..... A43B 23/07; A43B 3/16; A43B 23/00;  
A43B 23/02; A43B 5/04; A43B 3/02

See application file for complete search history.

(56) **References Cited**

**U.S. PATENT DOCUMENTS**

D342,823 S *	1/1994	Vestuti .....	D2/970
D347,109 S *	5/1994	Avar .....	D2/912
D348,765 S *	7/1994	Lozano .....	D2/902
D356,439 S *	3/1995	Teague .....	D2/970
D362,953 S *	10/1995	Greene .....	D2/970
D377,262 S *	1/1997	Lucas .....	D2/912
D385,990 S *	11/1997	Baker .....	D2/970
D434,547 S *	12/2000	Kim .....	D2/954
D508,307 S *	8/2005	Burg .....	D2/960
D516,284 S *	3/2006	Andrews-Kramer .....	D2/970
D637,383 S *	5/2011	McCourt .....	D2/970

D685,165 S	7/2013	Taylor	
D686,805 S	7/2013	Day, Jr.	
D727,609 S *	4/2015	Hlavacs .....	D2/951
D771,924 S *	11/2016	Radabaugh .....	D2/947
D850,771 S *	6/2019	Schultze .....	D2/951
D854,800 S *	7/2019	Marvin .....	D2/947
D861,310 S *	10/2019	Weeks .....	D2/951
D886,419 S *	6/2020	McGhee .....	D2/912
D908,322 S	1/2021	Foust	

\* cited by examiner

*Primary Examiner* — Rashida C. Walshon

(74) *Attorney, Agent, or Firm* — Che-Yang Chen; Law Office of Michael Chen

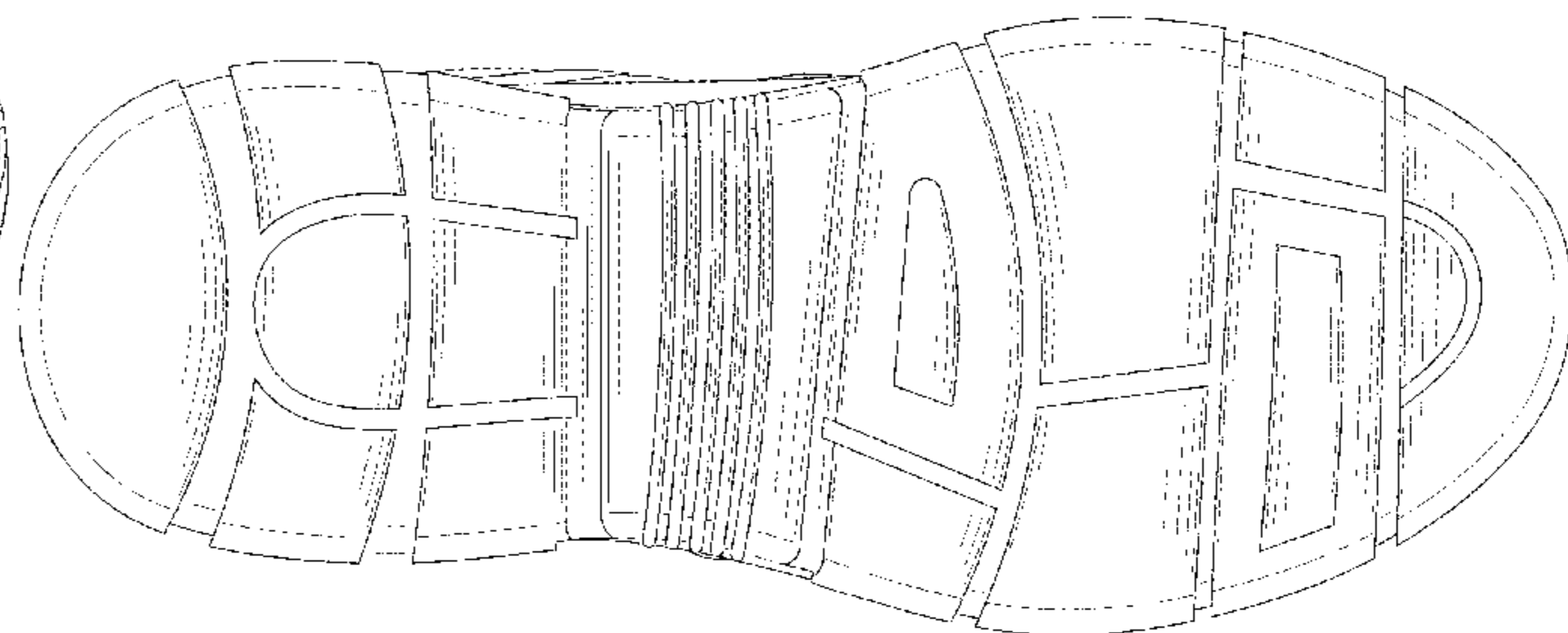
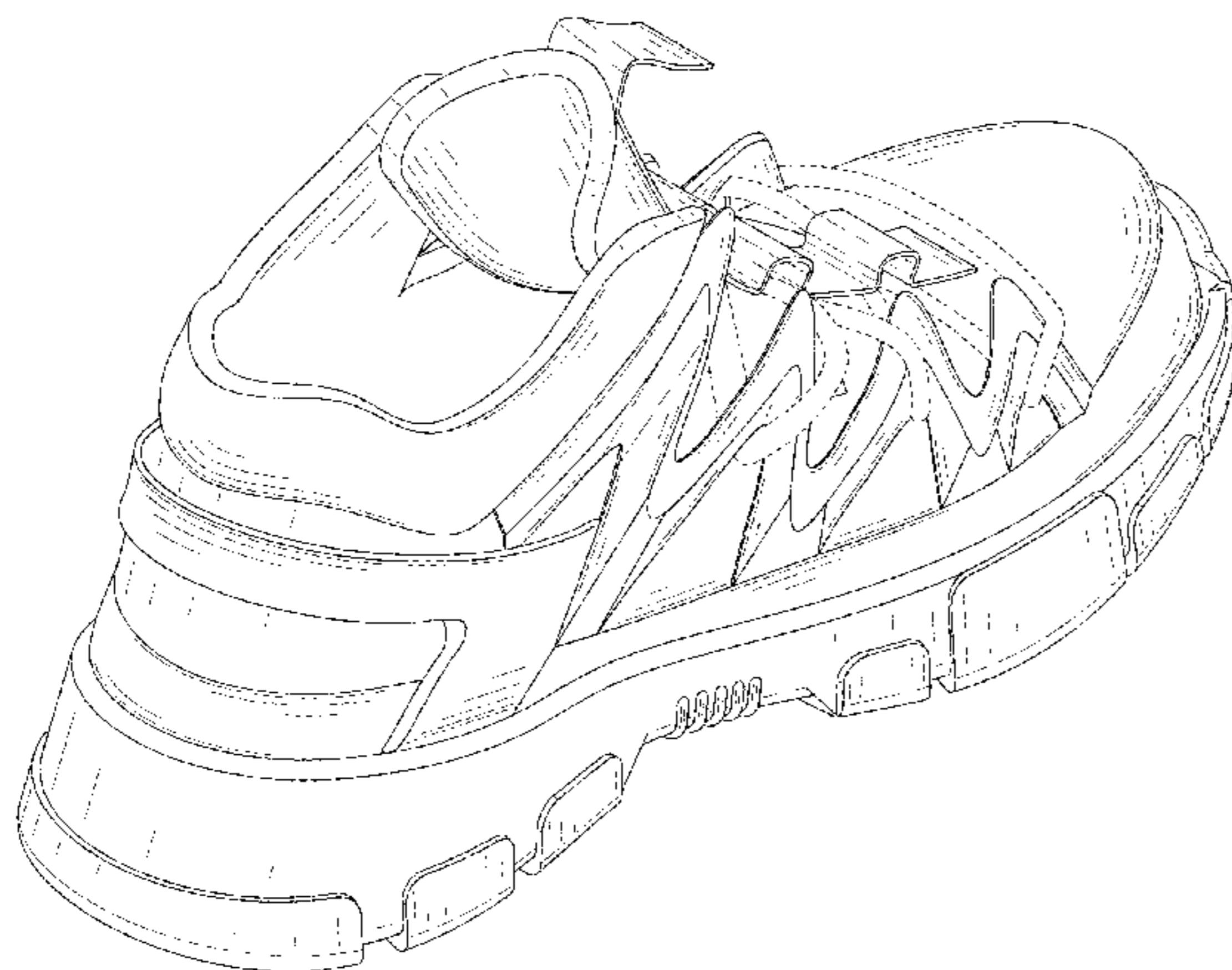
(57) **CLAIM**

The ornamental design for a shoe, as shown and described.

**DESCRIPTION**

FIG. 1 is a perspective view of the shoe showing my new design;  
 FIG. 2 is a perspective view thereof from another angle;  
 FIG. 3 is a front elevational view thereof;  
 FIG. 4 is a rear elevational view thereof;  
 FIG. 5 is a left side elevational view thereof;  
 FIG. 6 is a right side elevational view thereof;  
 FIG. 7 is a top plan view thereof; and,  
 FIG. 8 is a bottom plan view thereof.  
 The broken lines in the drawings illustrate portions of the shoe that form no part of the claim.

**1 Claim, 8 Drawing Sheets**



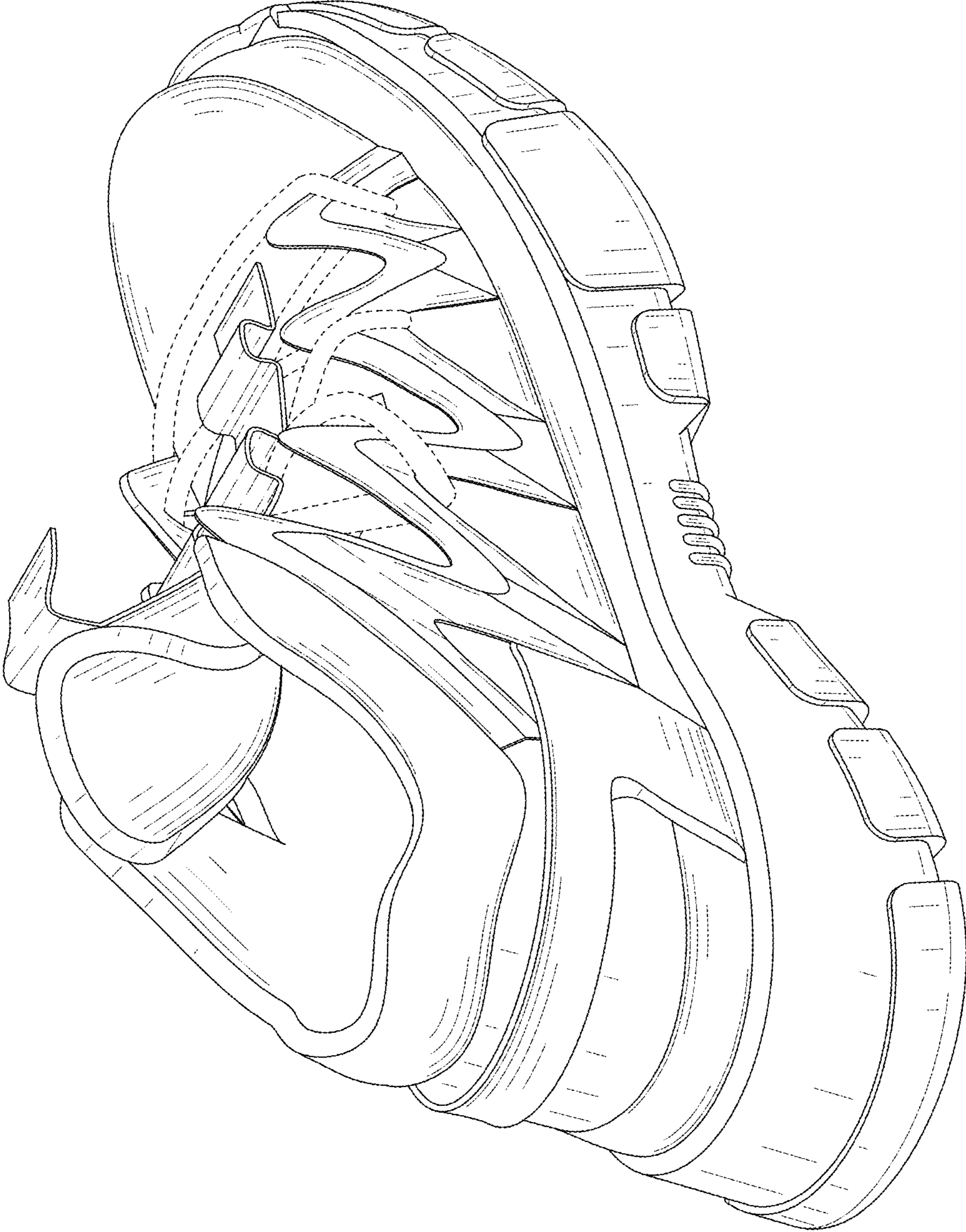


FIG. 1



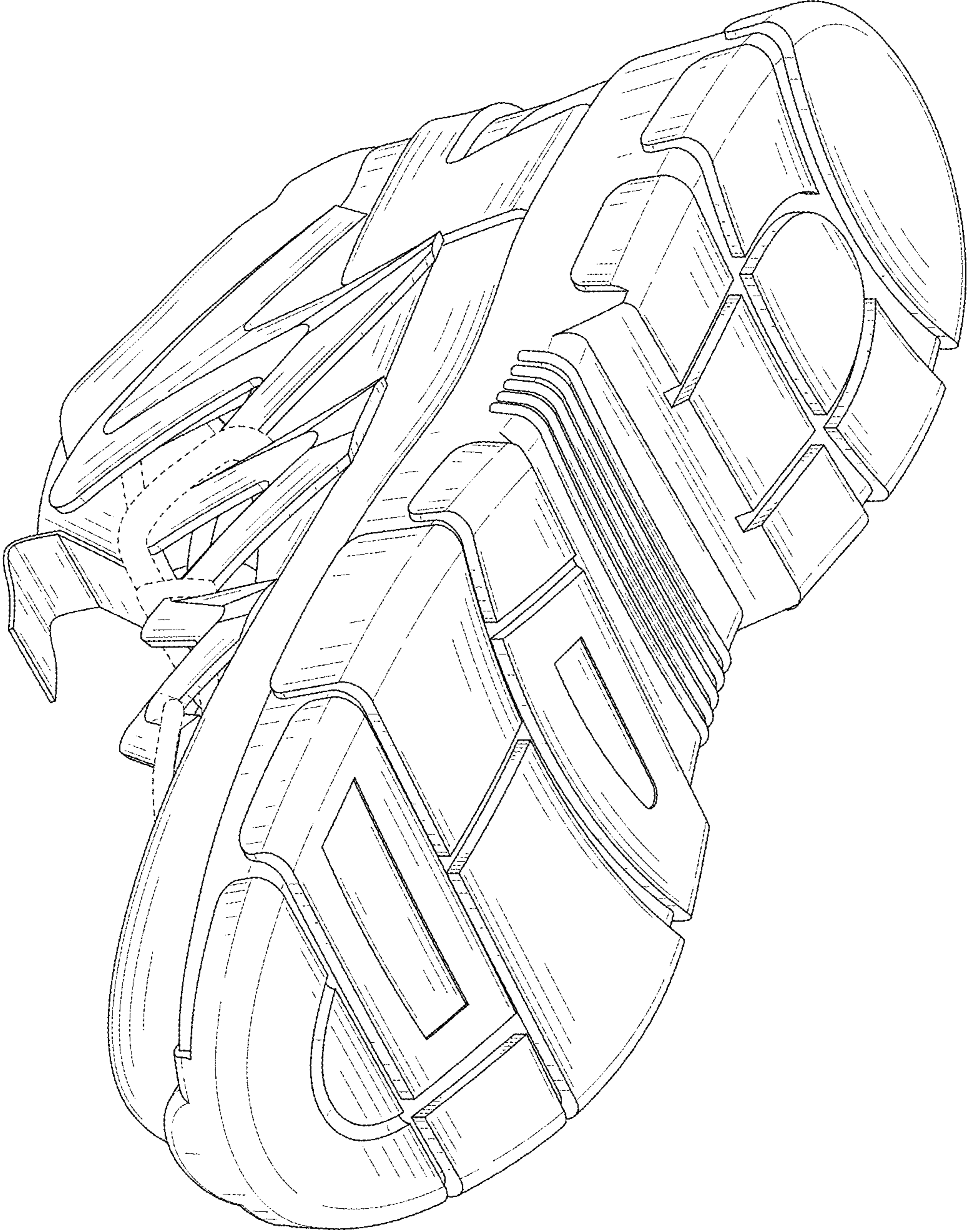


FIG. 2

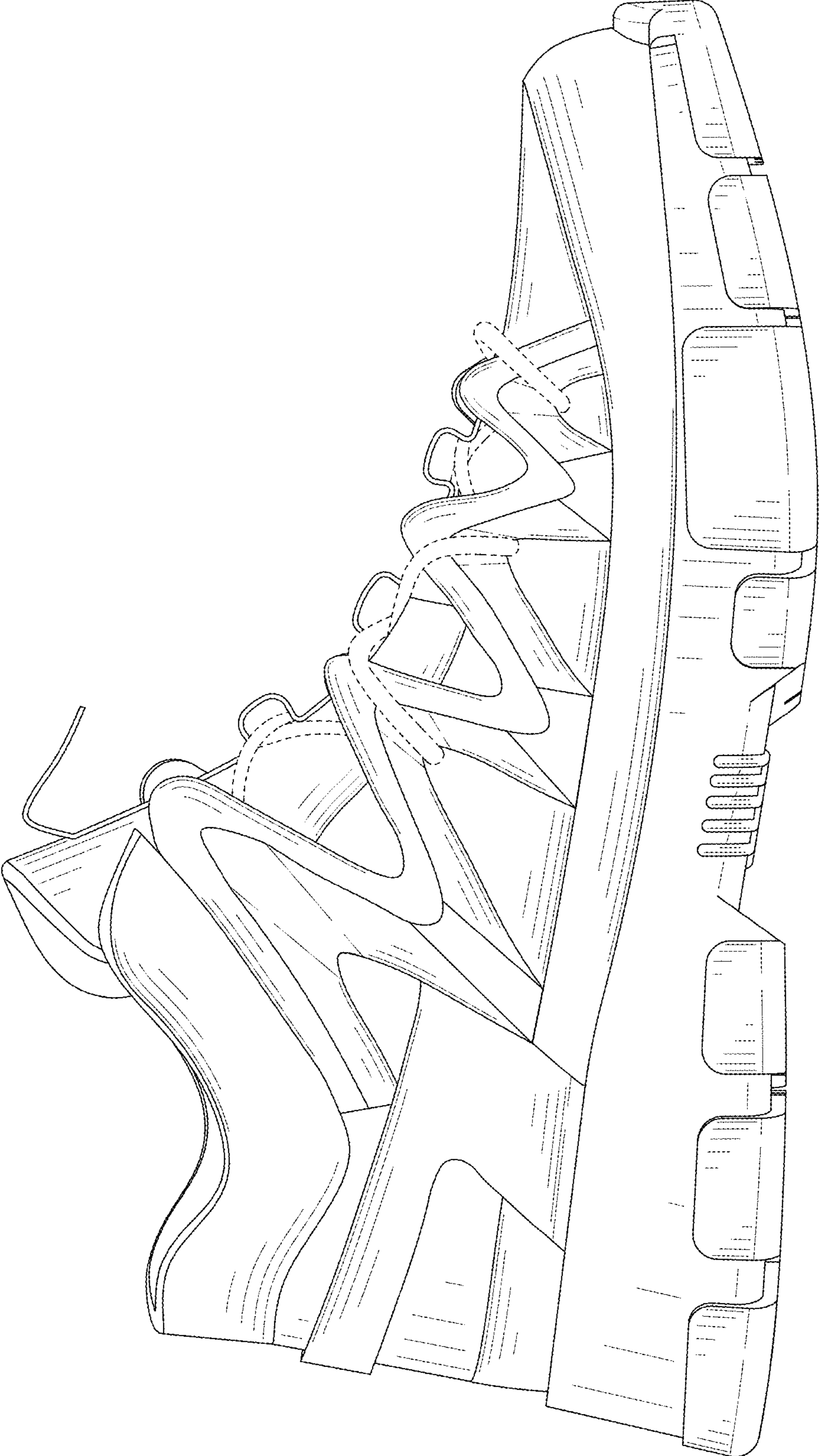


FIG. 3

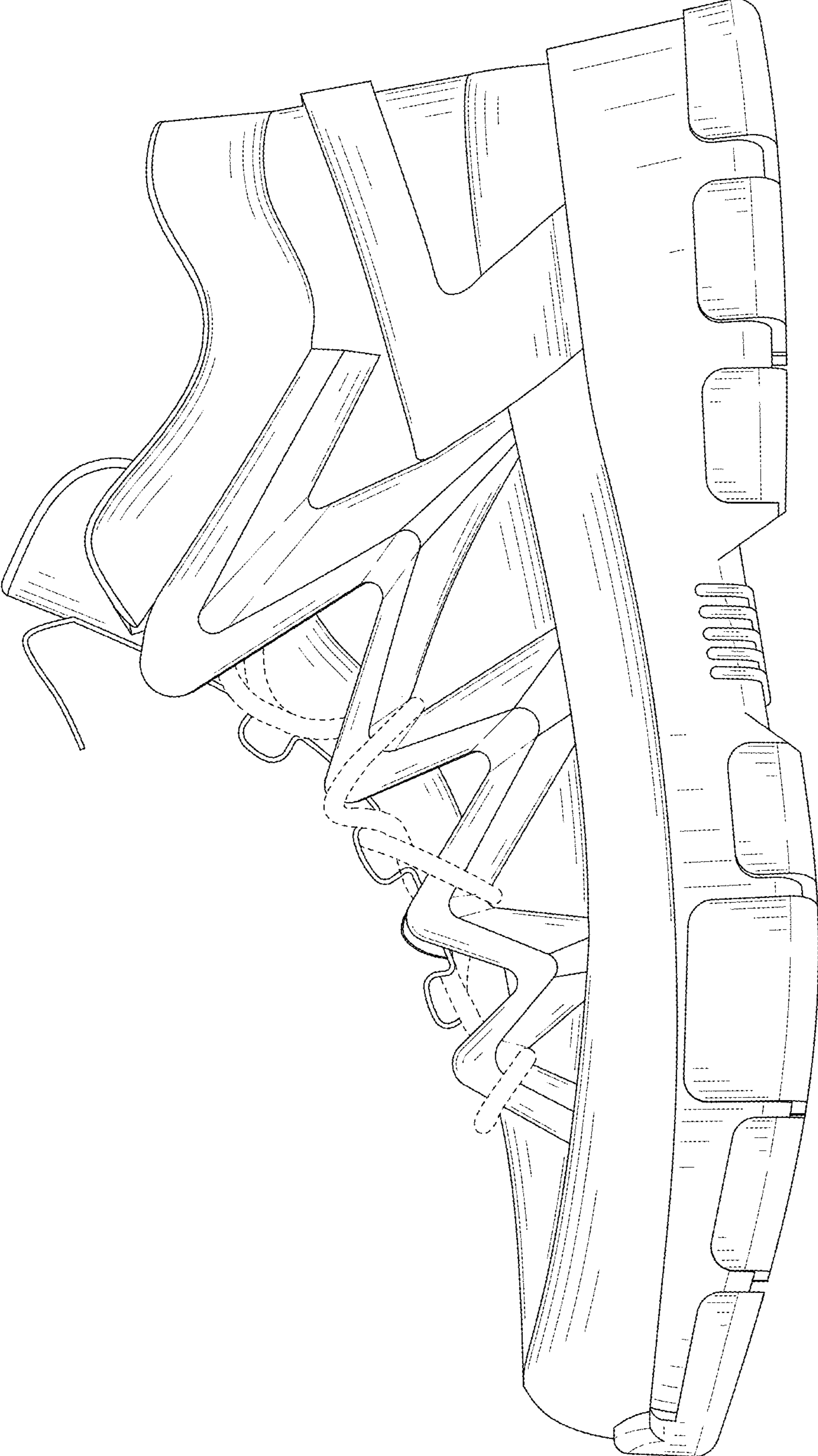


FIG. 4



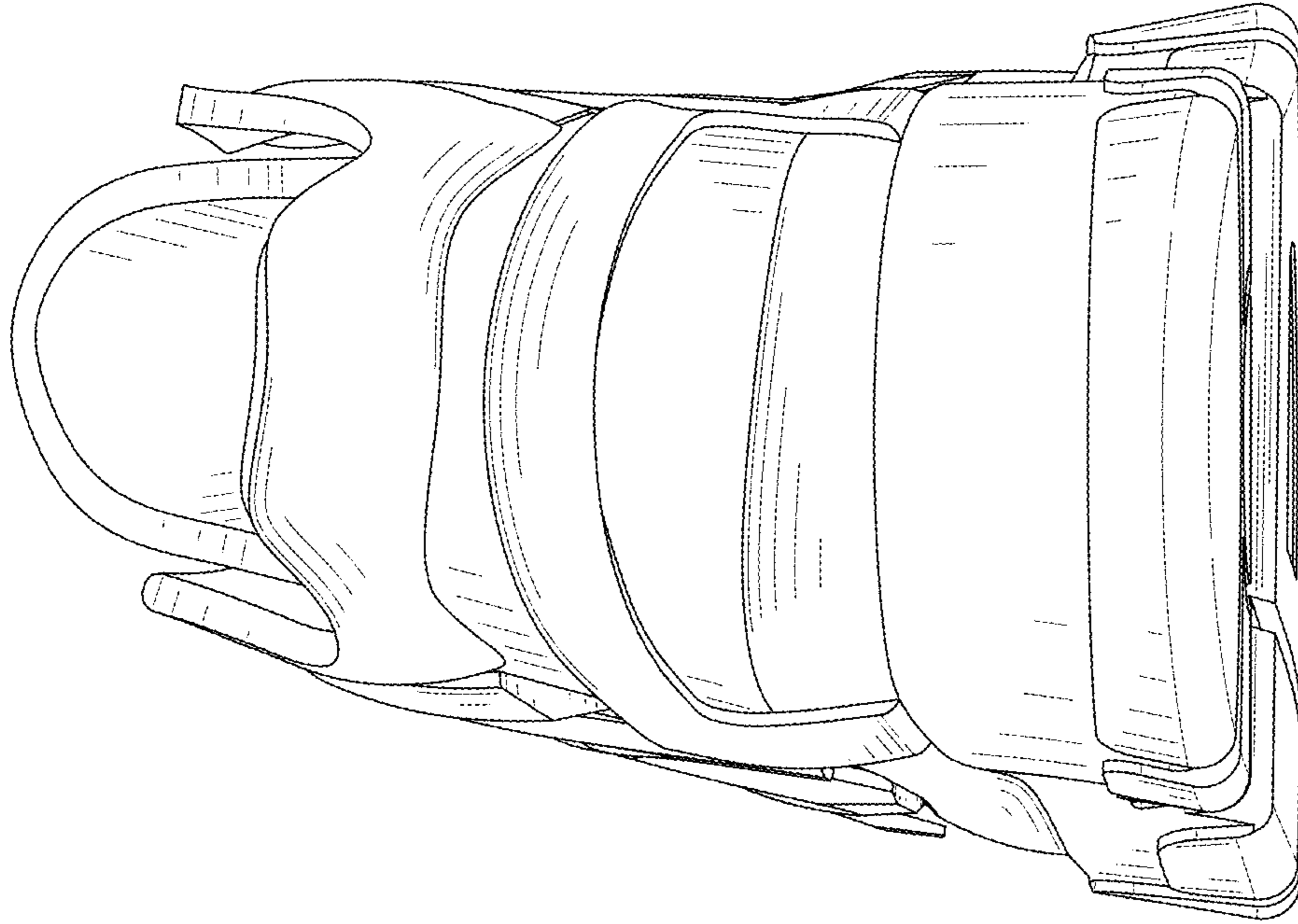


FIG. 5

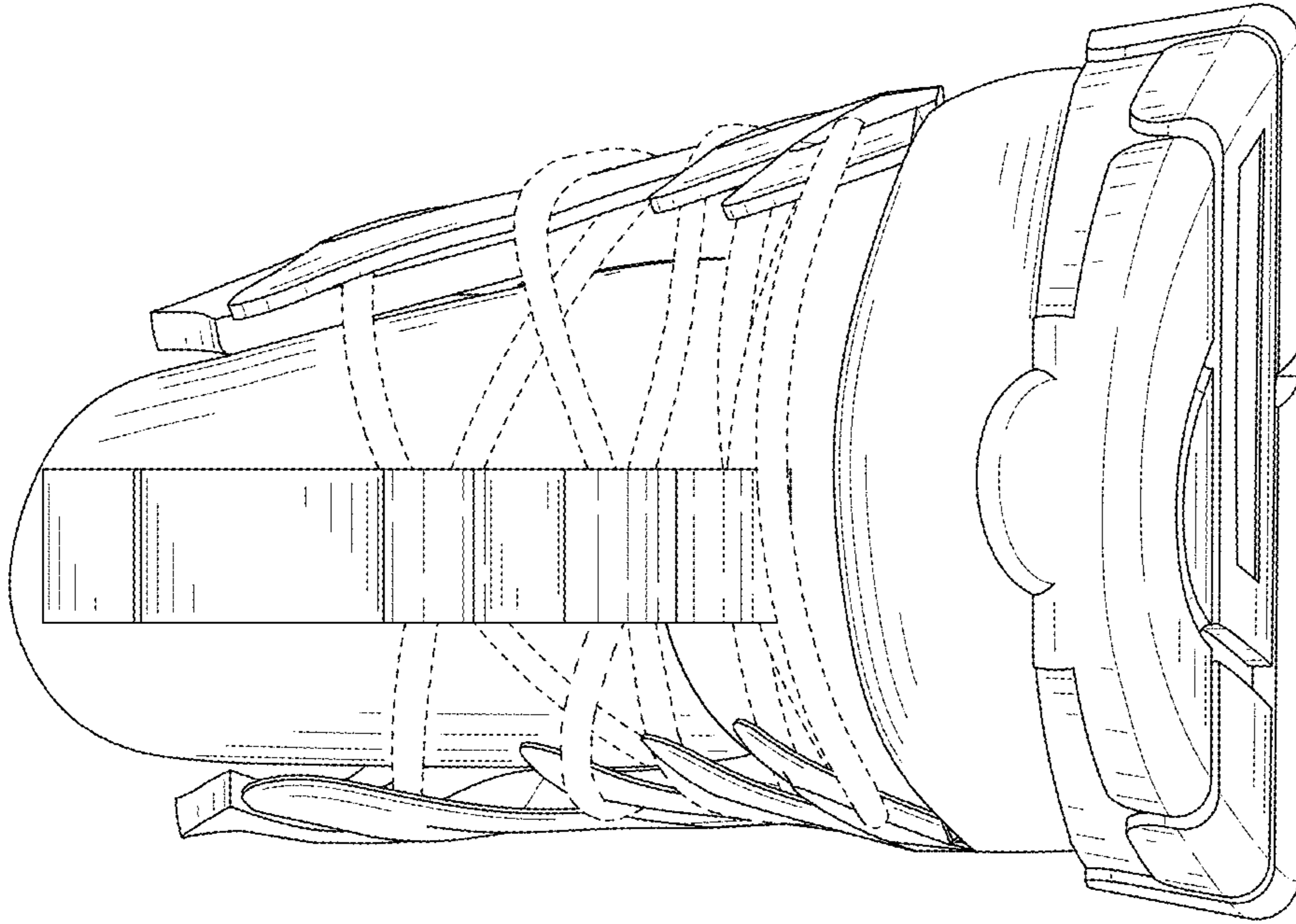


FIG. 6

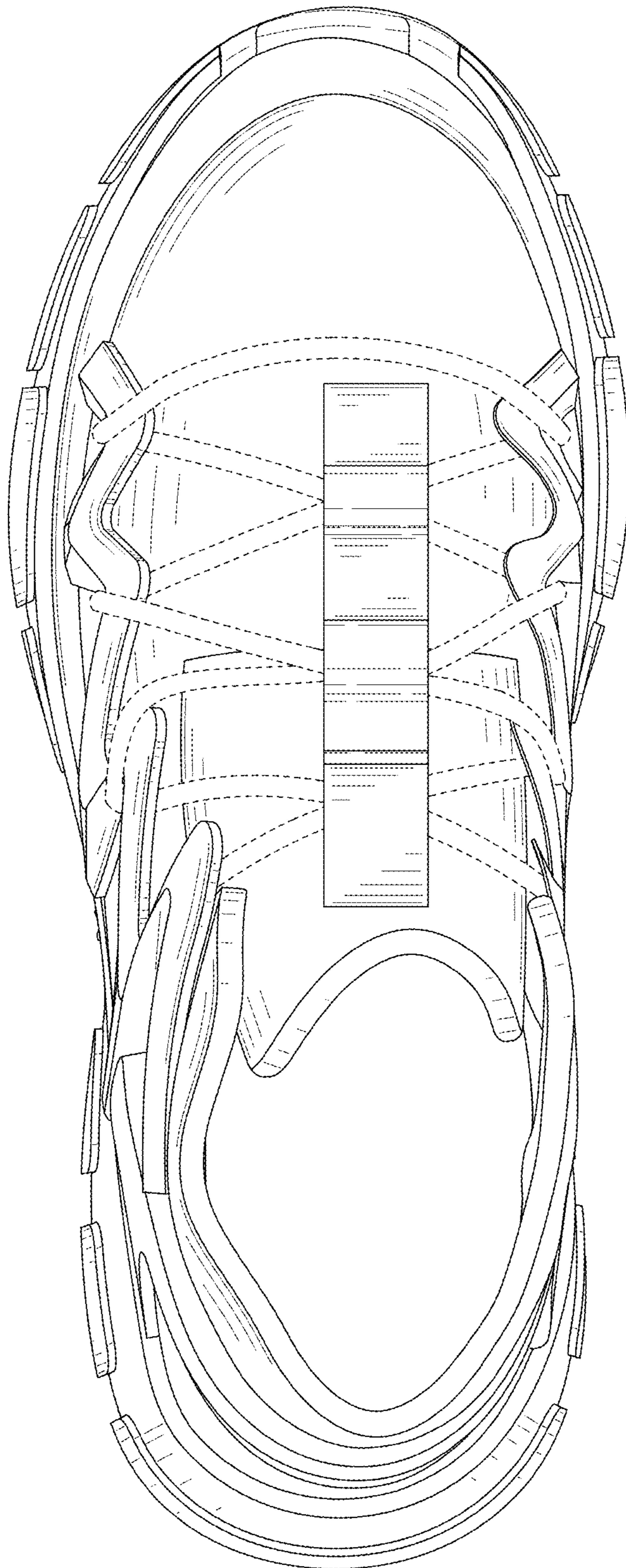


FIG. 7



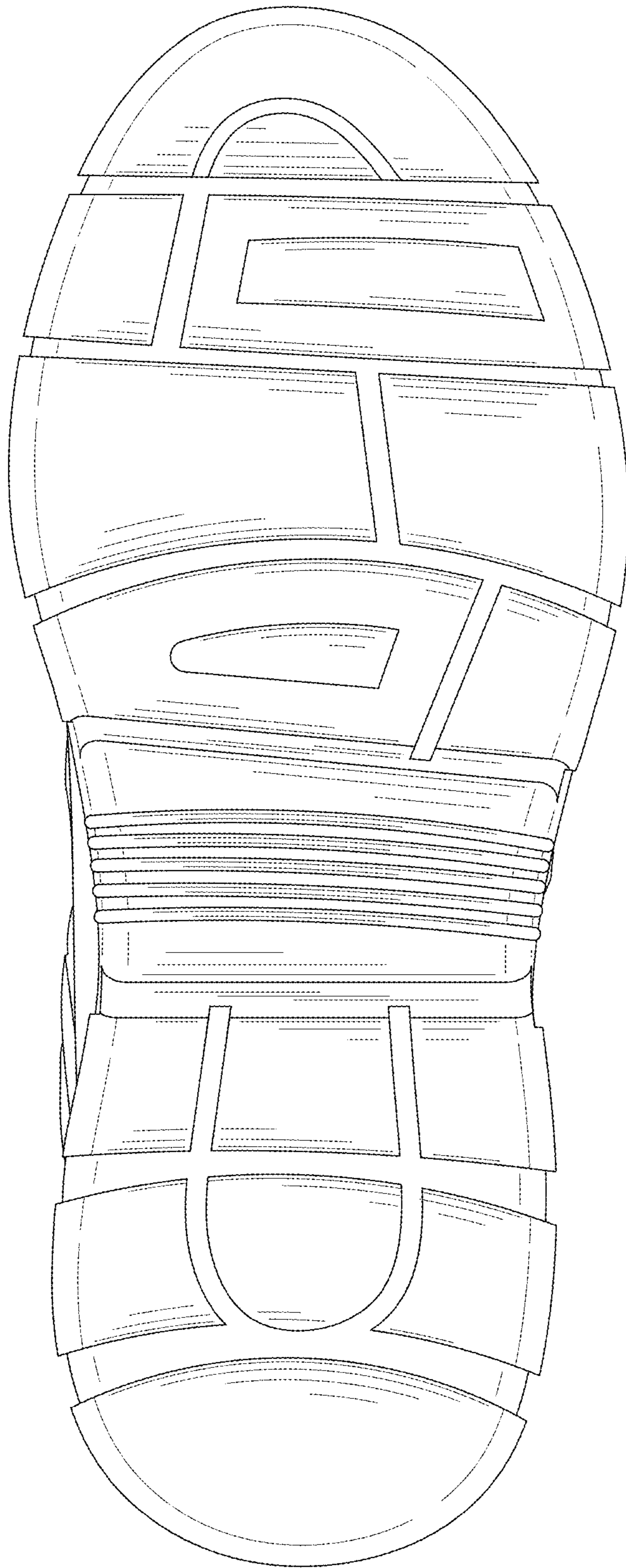


FIG. 8