



US00D975960S

(12) **United States Design Patent**
Contreras

(10) **Patent No.:** **US D975,960 S**
(45) **Date of Patent:** **** Jan. 24, 2023**

(54) **GARMENT WITH VARYING SLEEVE CONFIGURATIONS**

(71) Applicant: **Victoria Wimer Contreras**, Scottsdale, AZ (US)

(72) Inventor: **Victoria Wimer Contreras**, Scottsdale, AZ (US)

(**) Term: **15 Years**

(21) Appl. No.: **29/844,400**

(22) Filed: **Jun. 28, 2022**

(51) **LOC (14) Cl.** **02-02**

(52) **U.S. Cl.**
USPC **D2/724**

(58) **Field of Classification Search**
USPC D2/724, 725, 720, 726, 727, 757, 774,
D2/800, 823, 826, 828, 832, 837
CPC A41D 27/10; A41D 3/02; A41D 7/008;
A41D 10/00; A41D 11/00; A41D
13/1236; A41D 2300/322; A41D 2300/33
See application file for complete search history.

(56) **References Cited**

U.S. PATENT DOCUMENTS

- 753,131 A * 2/1904 Flutie A41D 10/00
2/69
- 776,054 A * 11/1904 Glover A41D 13/1236
2/114
- 949,164 A * 2/1910 Tyrrell A41B 13/08
2/93
- 998,122 A 7/1911 Sato
- 1,211,832 A 1/1917 Elliott
- 1,885,422 A 11/1932 Fautrad
- D100,431 S 7/1936 Lufty
- 2,101,564 A * 12/1937 Sayour A41D 1/22
2/93

(Continued)

FOREIGN PATENT DOCUMENTS

FR 041624-001 * 8/2004

Primary Examiner — Karen E Eldridge Powers
(74) *Attorney, Agent, or Firm* — QuickPatents, LLC;
Kevin Prince

(57) **CLAIM**

The ornamental design for a garment with varying sleeve configurations, as shown and described.

DESCRIPTION

FIG. 1 is a front, top and right-side perspective view of a garment with varying sleeve configurations, showing my new design wherein the sleeves are unfastened from the shoulder buttons;

FIG. 2 is a front elevational view of the design as shown in FIG. 1;

FIG. 3 is a rear elevational view of the design as shown in FIG. 1;

FIG. 4 is a left-side elevational view of the design as shown in FIG. 1, the right-side elevational view being a mirror image thereof;

FIG. 5 is a top plan view of the design as shown in FIG. 1;

FIG. 6 is a bottom plan view of the design shown in FIG. 1;

FIG. 7 is a front, top and right-side perspective view thereof, wherein the sleeves are shown fastened to the shoulder buttons;

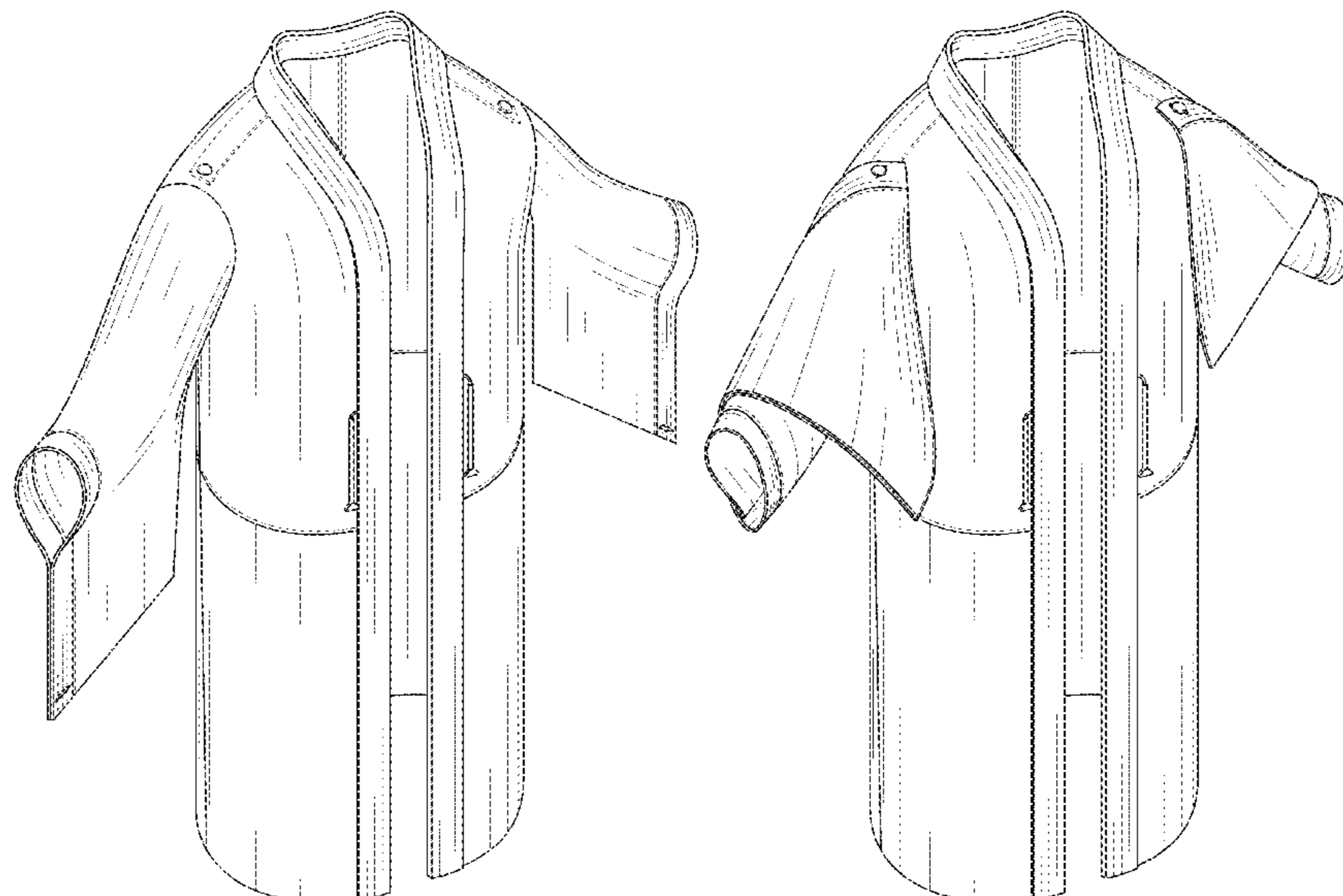
FIG. 8 is a front elevation view of the design as shown in FIG. 7;

FIG. 9 is a rear elevational view of the design as shown in FIG. 7; and,

FIG. 10 is a left-side elevational view of FIG. 7, the right-side elevational view being a mirror image thereof.

The broken lines in shoulder areas of the garment depict portions of the a garment with varying sleeve configurations that form no part of the claimed design. The remaining broken lines depict stitching, and do form part of the claimed design.

1 Claim, 9 Drawing Sheets



(56)

References Cited

U.S. PATENT DOCUMENTS

D118,350 S 12/1939 Rinaldi
 D118,685 S 1/1940 Rinaldi
 D118,686 S 1/1940 Rinaldi
 D129,343 S * 9/1941 Beispiel D2/781
 D138,426 S 8/1944 Wilkens
 D156,130 S * 11/1949 Leavell D2/724
 2,626,396 A 1/1953 Kanin
 D236,293 S * 8/1975 Banks 2/114
 D263,345 S 3/1982 Phelps
 D267,830 S 2/1983 Arnseth
 D402,439 S 12/1998 Marks
 D454,246 S * 3/2002 Ashida D2/756
 D459,572 S * 7/2002 Ashida D2/756
 D514,279 S 2/2006 Lindquist
 D516,151 S 2/2006 Murata
 D573,776 S 7/2008 Thunstedt
 D604,477 S 11/2009 Stafstrom

7,634,818 B1 * 12/2009 Trujillo A41D 13/04
 2/48
 D630,821 S 1/2011 Anderson
 8,656,517 B2 2/2014 Takahashi
 D738,591 S * 9/2015 Criss D2/720
 D746,552 S 1/2016 Brown
 D813,497 S 3/2018 Wilson
 D821,058 S * 6/2018 Coates D2/724
 D825,141 S * 8/2018 Jeong D2/848
 D834,288 S 11/2018 Koh
 10,362,815 B2 7/2019 Thompson
 D889,074 S 7/2020 Jennings
 D917,128 S * 4/2021 Sasaki D2/602
 10,980,290 B2 4/2021 Sasaki
 D919,239 S 5/2021 Franks
 D932,733 S 10/2021 Hamilton-Roque
 2015/0033451 A1 2/2015 Bradshaw
 2015/0157064 A1 6/2015 Inoue
 2021/0378320 A1 12/2021 Thompson
 2022/0104565 A1 4/2022 Winthrop

* cited by examiner

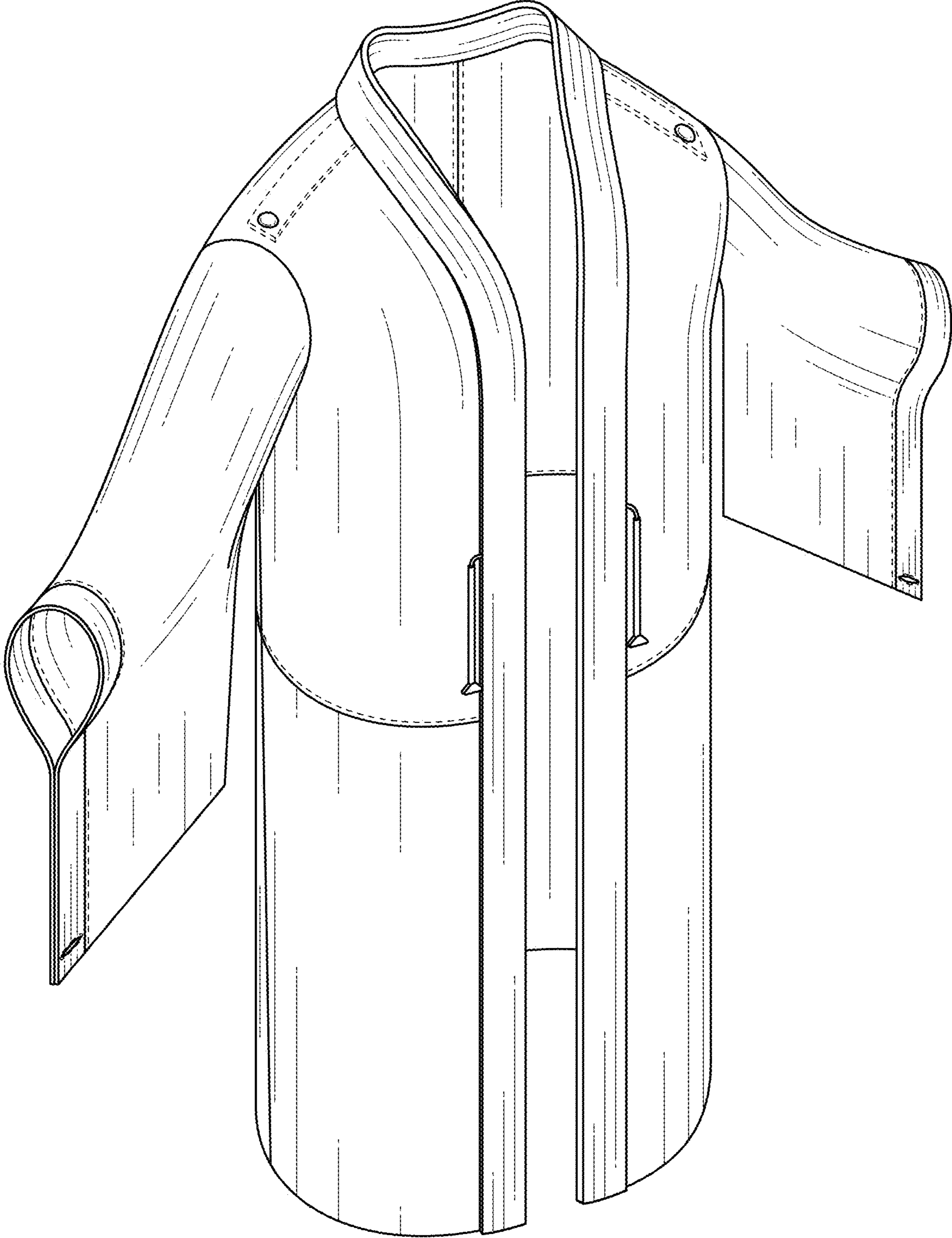


FIG. 1

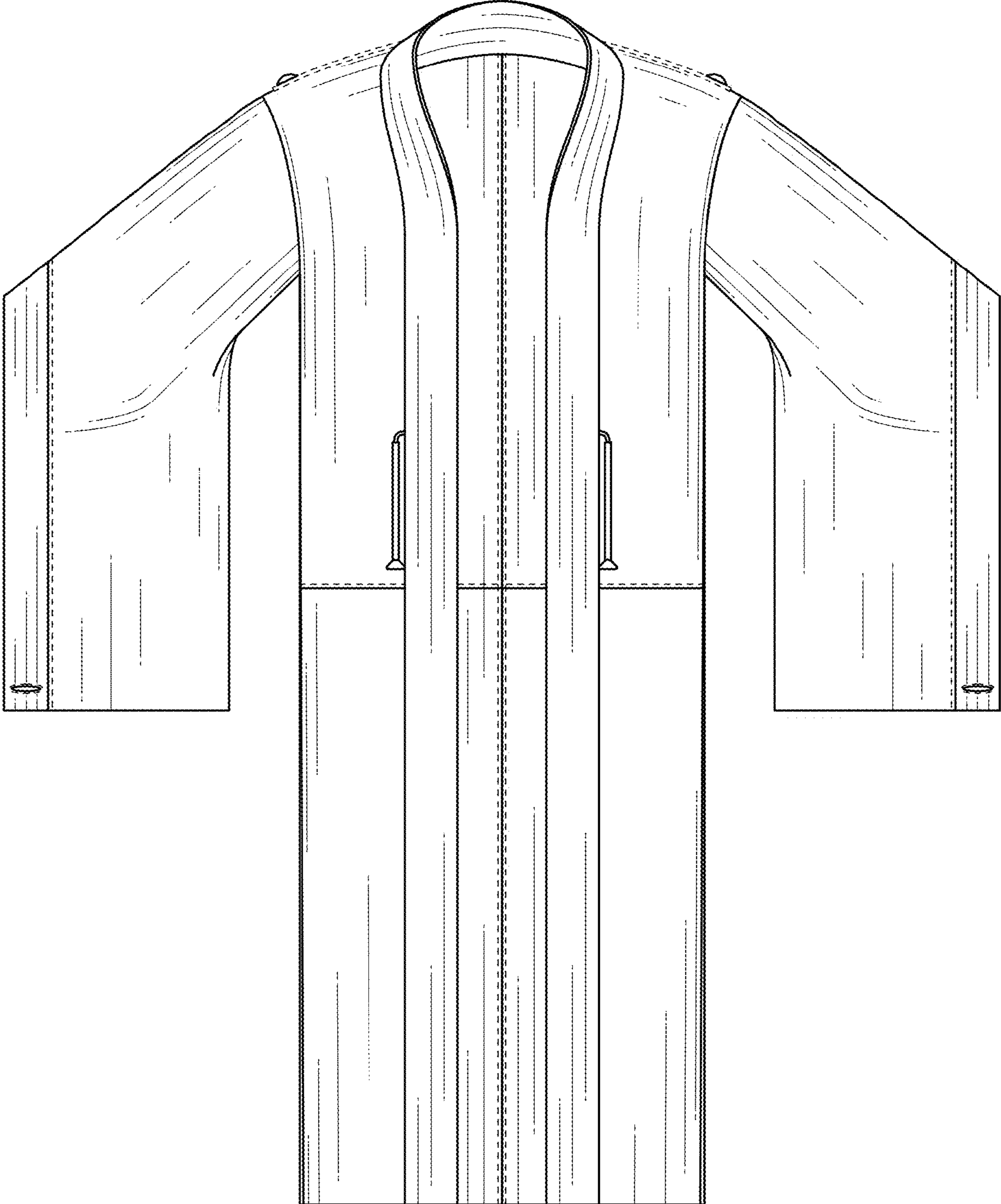


FIG. 2

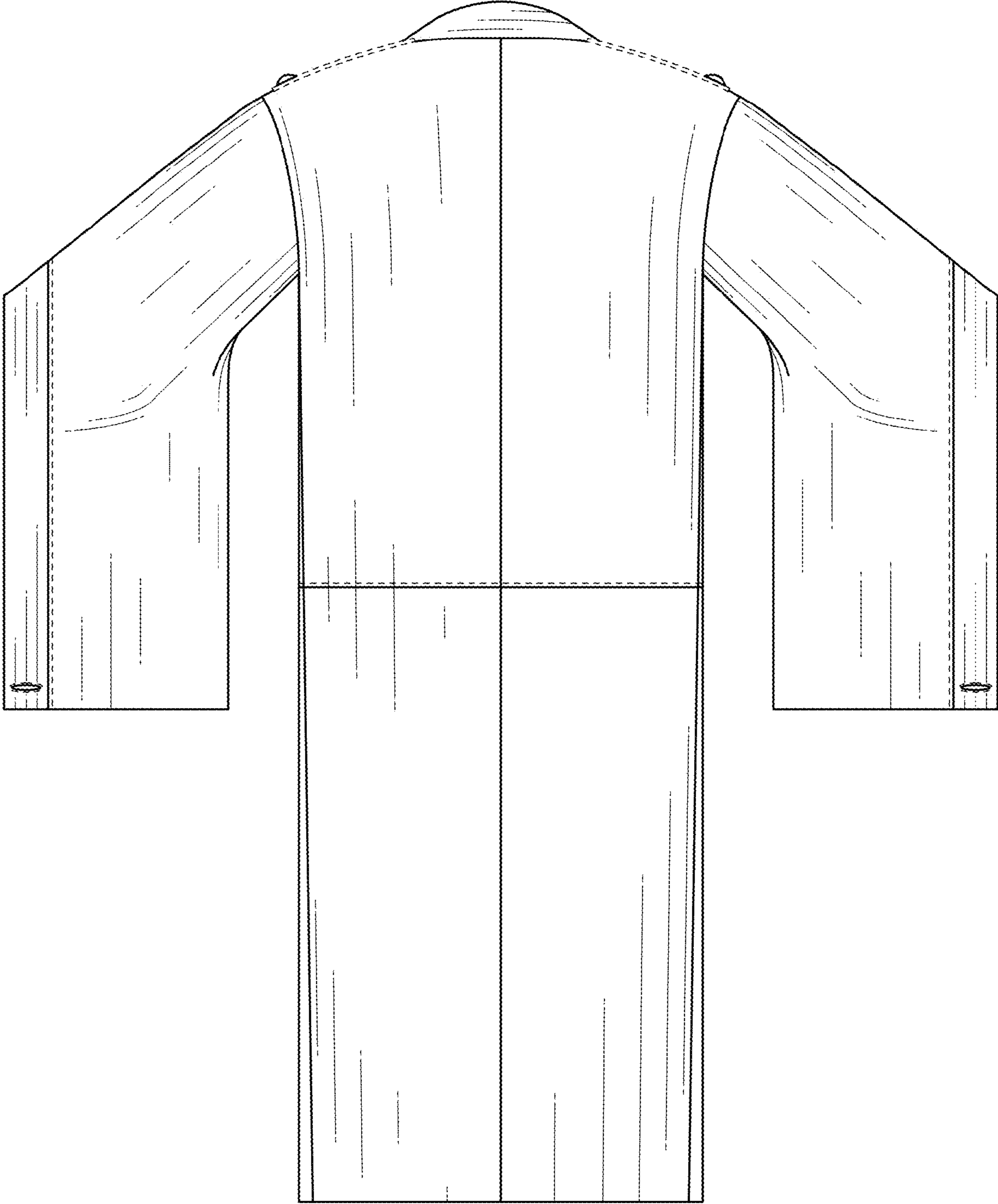


FIG. 3

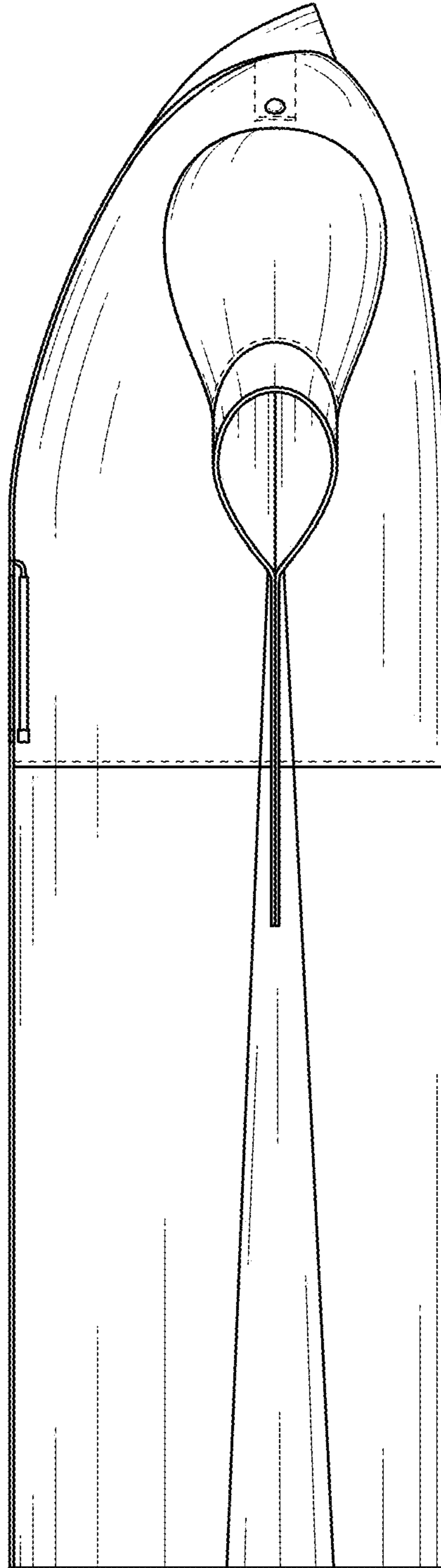


FIG. 4

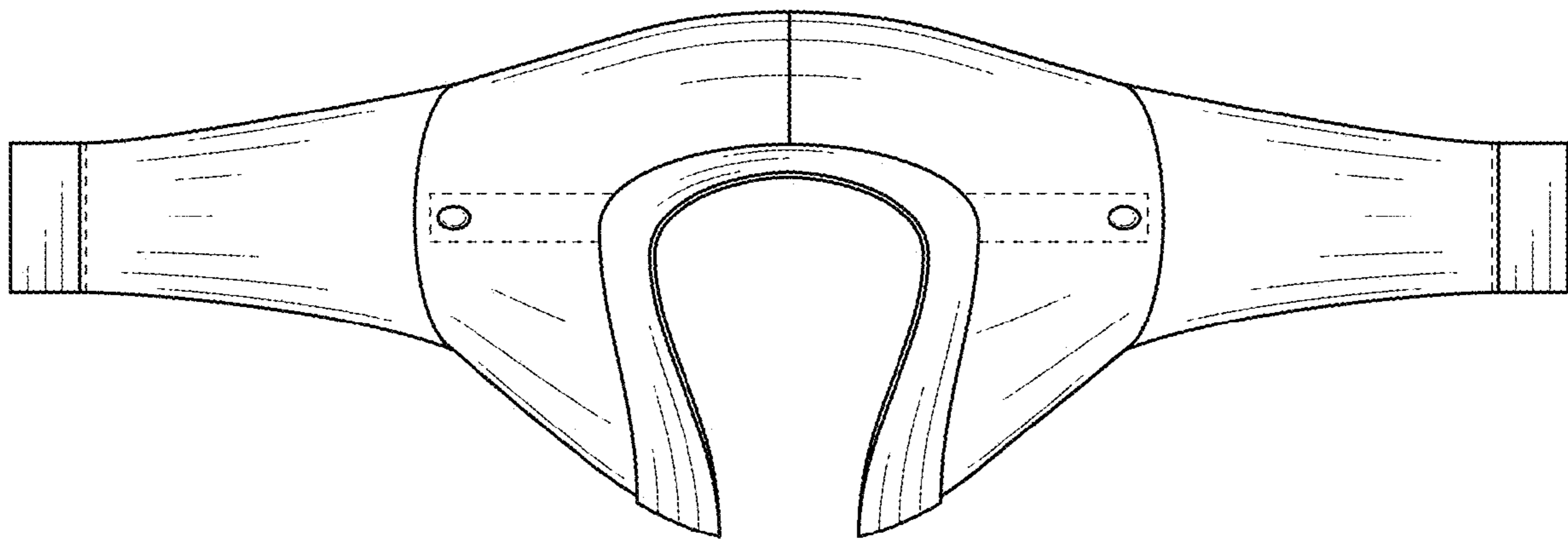


FIG. 5

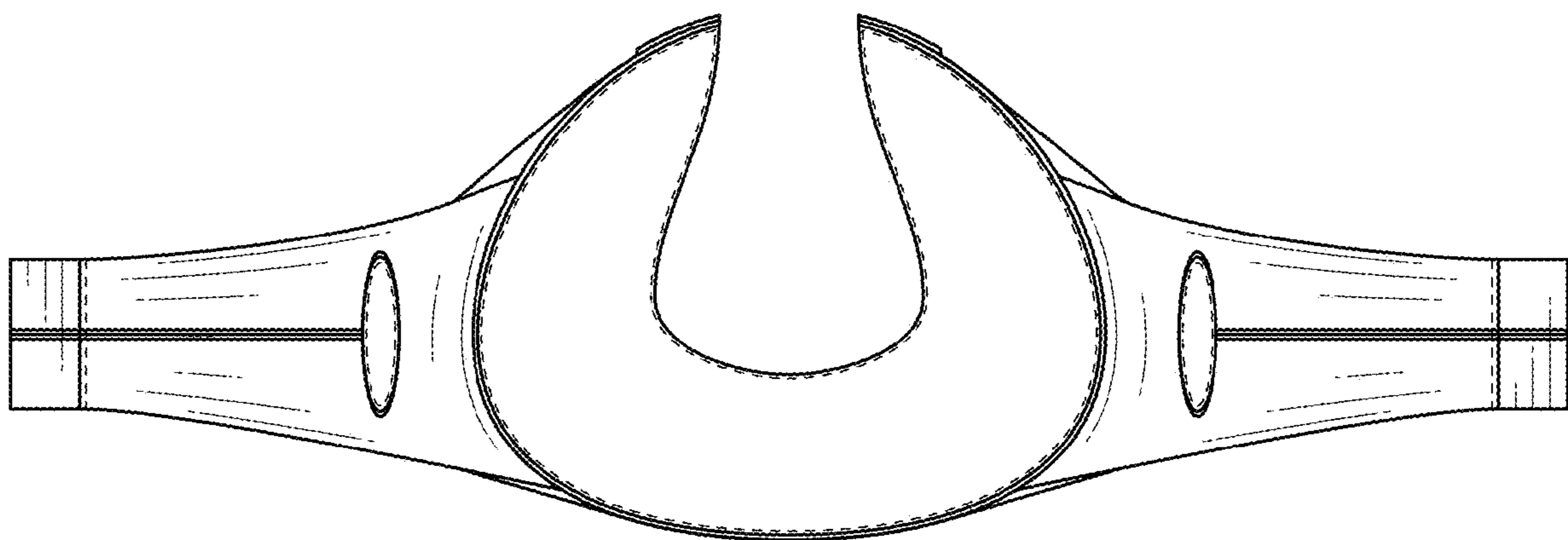


FIG. 6

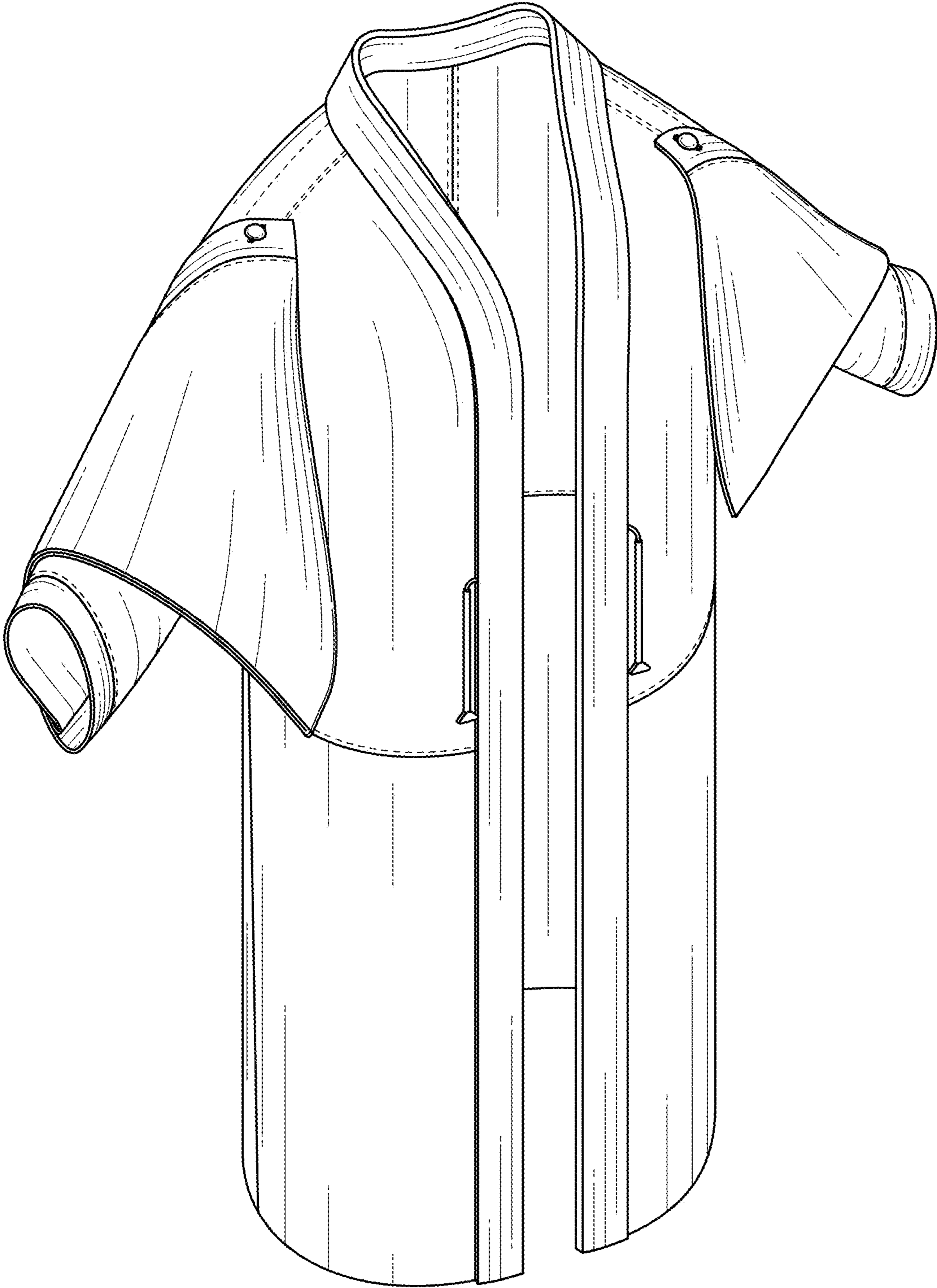


FIG. 7

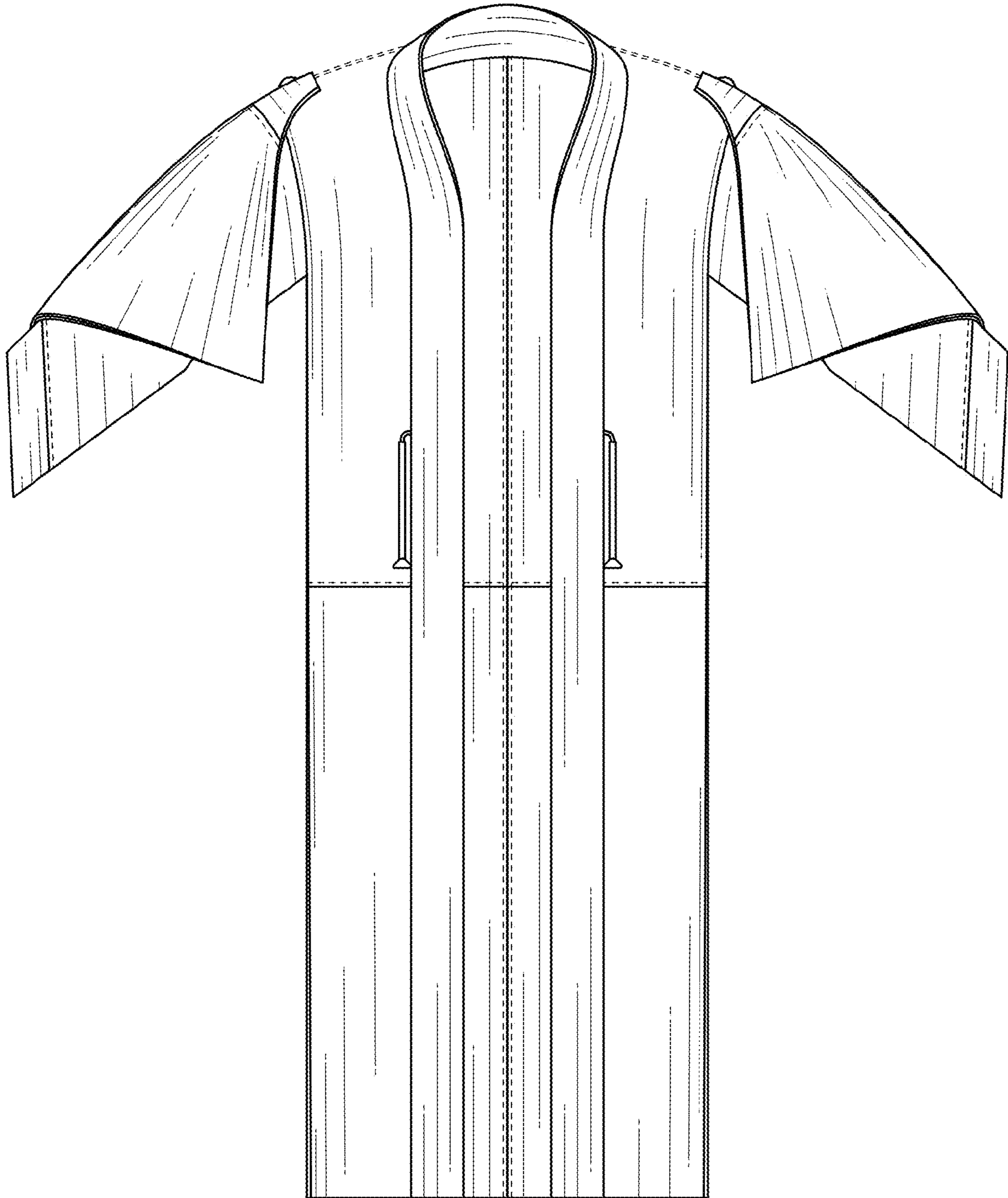


FIG. 8

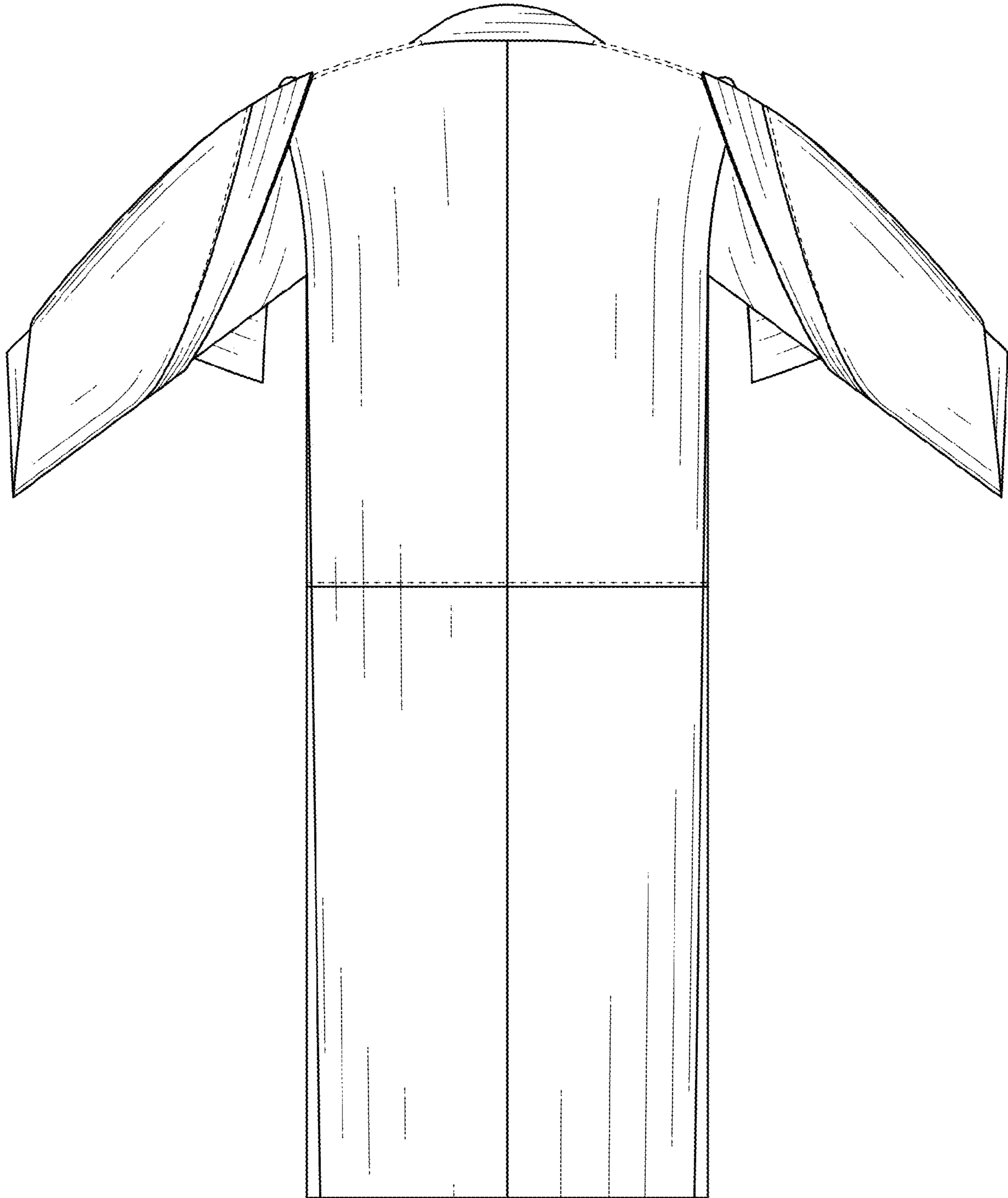


FIG. 9

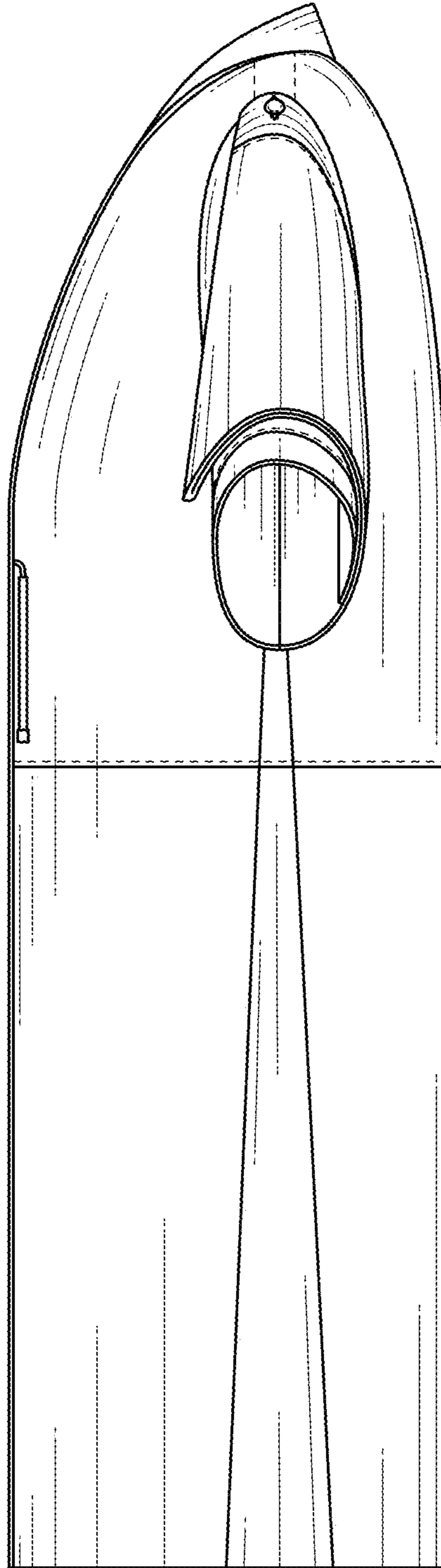


FIG. 10