



US00D975957S

(12) **United States Design Patent**  
**Shao**

(10) **Patent No.:** **US D975,957 S**  
(45) **Date of Patent:** **\*\* Jan. 17, 2023**

- (54) **SAFE BOX**
- (71) Applicant: **Yinhua Shao**, Zhejiang (CN)
- (72) Inventor: **Yinhua Shao**, Zhejiang (CN)
- (\*\*) Term: **15 Years**
- (21) Appl. No.: **29/813,693**
- (22) Filed: **Nov. 1, 2021**
- (51) **LOC (14) Cl.** ..... **99-00**
- (52) **U.S. Cl.**  
USPC ..... **D99/28**
- (58) **Field of Classification Search**  
USPC .... D99/28, 34, 35, 36, 43, 99; D3/900, 901,  
D3/902, 903, 905; D18/3.1, 3.3, 12.1  
CPC ..... A45C 1/12; A45C 2001/125; A45C  
2001/102; A45C 2001/104; A45C  
2001/006; A45C 2001/003; A45C  
2001/105; A45C 2001/107; E05G 1/00;  
E05G 1/005; E05G 1/024; E05G 1/026;  
E05G 5/00; E05G 7/00; E05G 7/001;  
E05G 2700/00; E05G 2700/02; B63C  
7/30; G07D 9/00; G07D 9/002; G07D  
9/004; G07D 9/006; G07D 9/008; G07D  
9/02; G07D 9/04; G07D 9/06; G07D  
9/065; G07D 11/00; G07D 11/0021;  
G07D 13/00; G07D 2201/00; G07D  
2211/00; G07F 9/06; G07F 9/08  
See application file for complete search history.

(56) **References Cited**

**U.S. PATENT DOCUMENTS**

- D273,908 S \* 5/1984 Hoogeveen ..... D99/28
- 4,573,332 A \* 3/1986 Ma ..... E05B 67/003  
70/160
- 5,769,006 A \* 6/1998 Allaer ..... E05G 1/00  
109/51
- 6,845,640 B2 \* 1/2005 Loeff ..... F41A 17/54  
42/70.11
- D542,529 S \* 5/2007 Peart ..... D3/276

- D558,977 S \* 1/2008 Peart ..... D99/28
- D561,994 S \* 2/2008 Peart ..... D99/28
- D624,275 S \* 9/2010 Min ..... D99/28
- D635,324 S \* 3/2011 Plato ..... D99/28

(Continued)

**OTHER PUBLICATIONS**

The Best Handgun Safes Provide Fast Access to Your Gun When You Need It and Security When You Don't By Jonathan Knoder, Taylor Galla and Mike Fazioli, Aug. 3, 2022, <https://spy.com/articles/gadgets/electronics/best-biometric-handgun-safes-279257/> (Year: 2022).\*

(Continued)

*Primary Examiner* — Elizabeth J Oswecki

(57) **CLAIM**

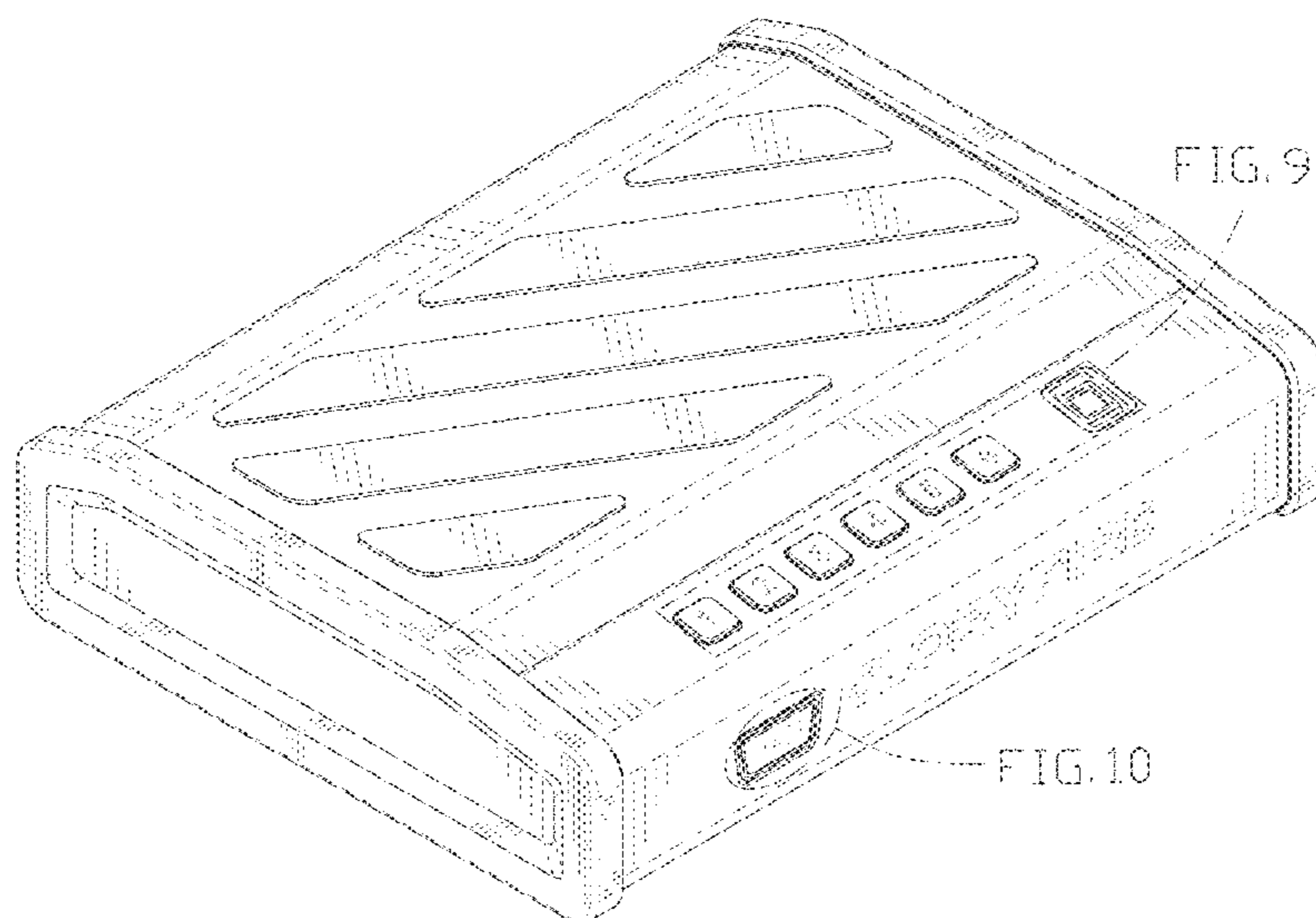
The ornamental design for a safe box, as shown and described.

**DESCRIPTION**

FIG. 1 is a front and top perspective view of a safe box, showing my new design;  
 FIG. 2 is a rear and bottom perspective view thereof;  
 FIG. 3 is a front elevation view thereof;  
 FIG. 4 is a rear elevation view thereof;  
 FIG. 5 is a left side elevation view thereof;  
 FIG. 6 is a right side elevation view thereof;  
 FIG. 7 is a top plan view thereof;  
 FIG. 8 is a bottom plan view thereof;  
 FIG. 9 is an enlarged portion view labeled, "FIG. 9," in FIG. 1; and,  
 FIG. 10 is an enlarged portion view labeled, "FIG. 10," in FIG. 1.

The even broken lines in the figures illustrate portions of the safe box that form no part of the claimed design. The dash dot dash lines in FIGS. 1, 9 and 10 are for the purpose of depicting the boundary lines of the enlarged views and form no part of the claimed design.

**1 Claim, 10 Drawing Sheets**



(56)

References Cited

U.S. PATENT DOCUMENTS

D724,811	S	3/2015	Reiting	
D803,508	S *	11/2017	Horn	D99/28
D817,589	S *	5/2018	Culbreth	D99/28
10,253,529	B1 *	4/2019	McGinn	E05B 35/00
D866,913	S *	11/2019	Xu	D99/28
D893,123	S *	8/2020	Yu	D99/28
D904,724	S *	12/2020	Zhang	D99/28
D912,365	S *	3/2021	Shen	D99/28
D924,535	S *	7/2021	Culbreth	D99/28
D935,729	S *	11/2021	Chen	D99/28
D935,730	S *	11/2021	Shen	D99/28
D939,804	S *	12/2021	Lu	D99/28
D939,805	S *	12/2021	Qian	D99/28
D946,235	S *	3/2022	Baker	D99/28
D952,985	S *	5/2022	Zhu	D99/28
D954,384	S *	6/2022	Zhu	D99/28
D954,385	S *	6/2022	Zhu	D99/28
D957,085	S *	7/2022	Lu	D99/28
2012/0042703	A1 *	2/2012	Chang	E05B 47/0603 70/63

OTHER PUBLICATIONS

AINIRO Gun Safe for Pistols—Biometric Gun Safe for Handgun with Fireproof Document Bag, Quick-Access Gun Lock with Fingerprint Identification or Key Pad, Firearm Storage Home Bedside Nightstand Car, <https://www.amazon.com/AINIRO-Gun-Safe-Pistols-Identification/dp/B09VBL34Y7/ref=pd>, Mar. 11, 2022. (Year: 2022).\*

ONNAIS Gun Safe—Biometric Gun Safe for Pistols, Quick-Access Handgun Safe Gun Lock Box Firearm Safety Device with Fingerprint Lock, Keypad and Keys, Pistol Safe for Home Bedside Nightstand Car, <https://www.amazon.com/ONNAIS-Gun-Safe-Quick-Access-Fingerprint/dp/B08J3NF381>, Mar. 17, 2021. (Year: 2021).\*

Fingerprint Lock Box Gun Safe for Pistols, Pistol Safe Handgun Safe Quick-Access with Biometric Fingerprint or Key Lock, Security Firearm Safe, <https://www.walmart.com/ip/Fingerprint-Lock-Box-Gun-Safe-Pistols-Pistol-Handgun-Quick-Access-Biometric-Key-Lock-Security-Firearm-Home/194237361> © 2022. (Year: 2022).\*

\* cited by examiner



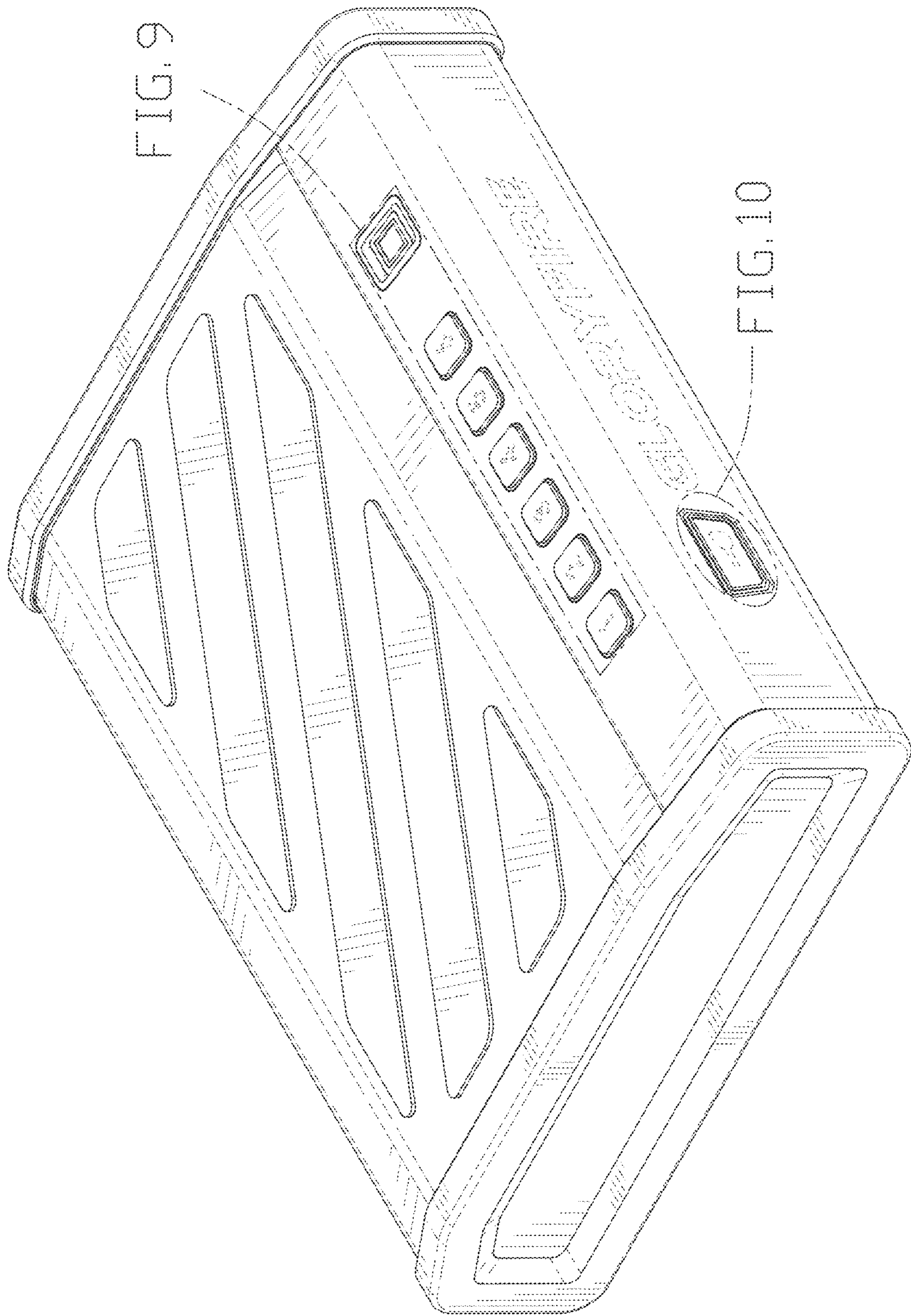


FIG. 9

FIG. 10

FIG. 1

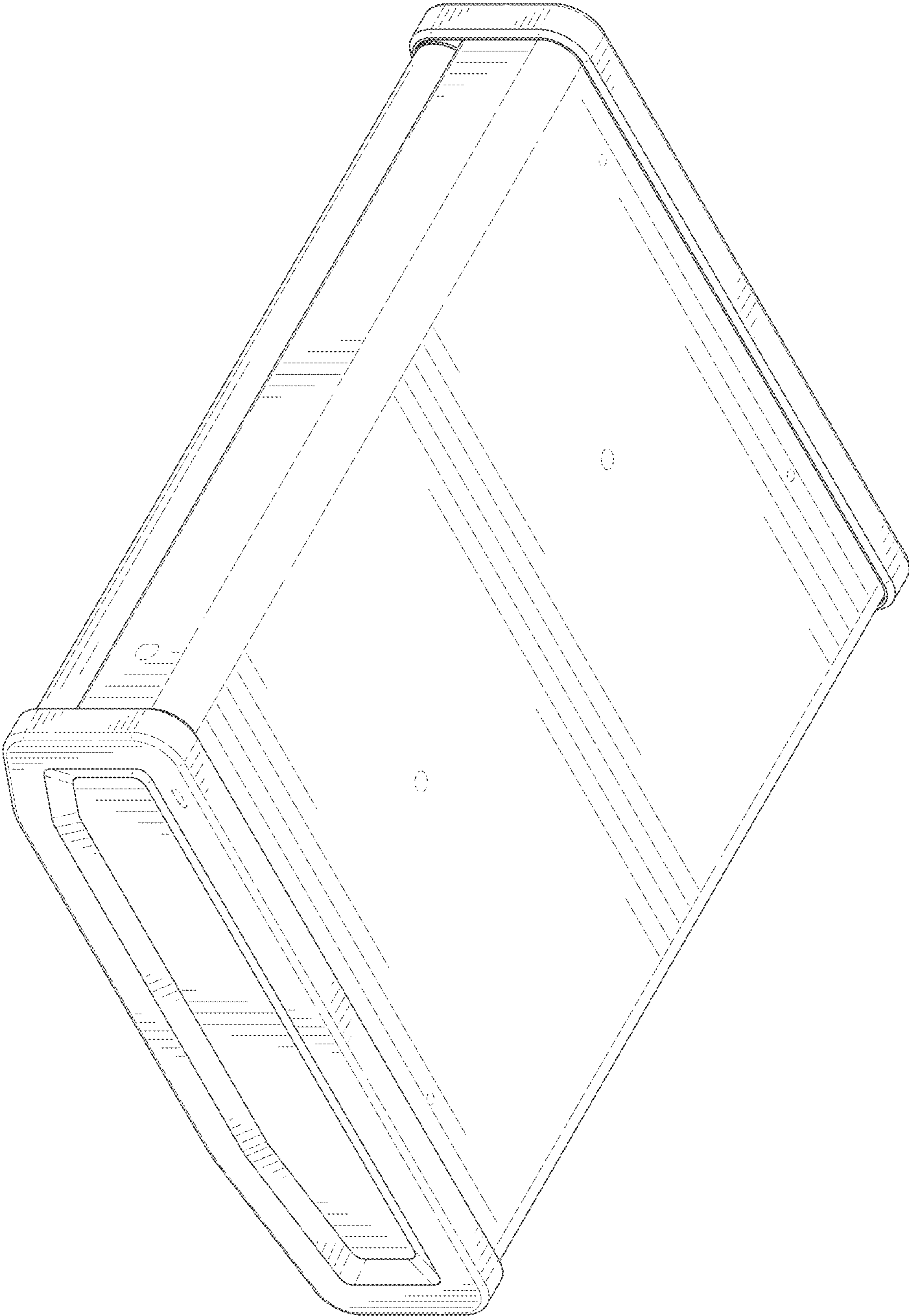


FIG. 2

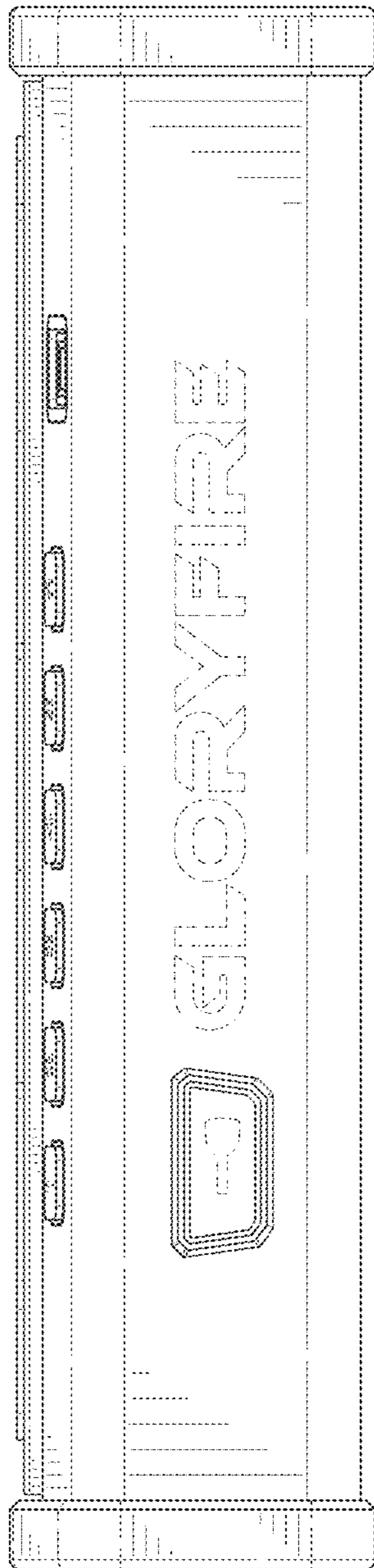


FIG. 3

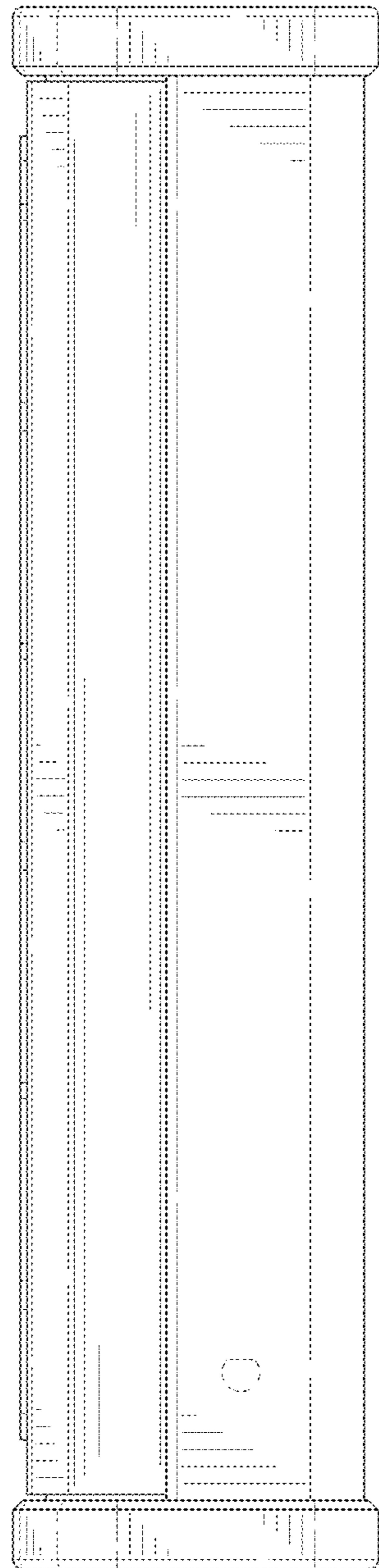


FIG. 4

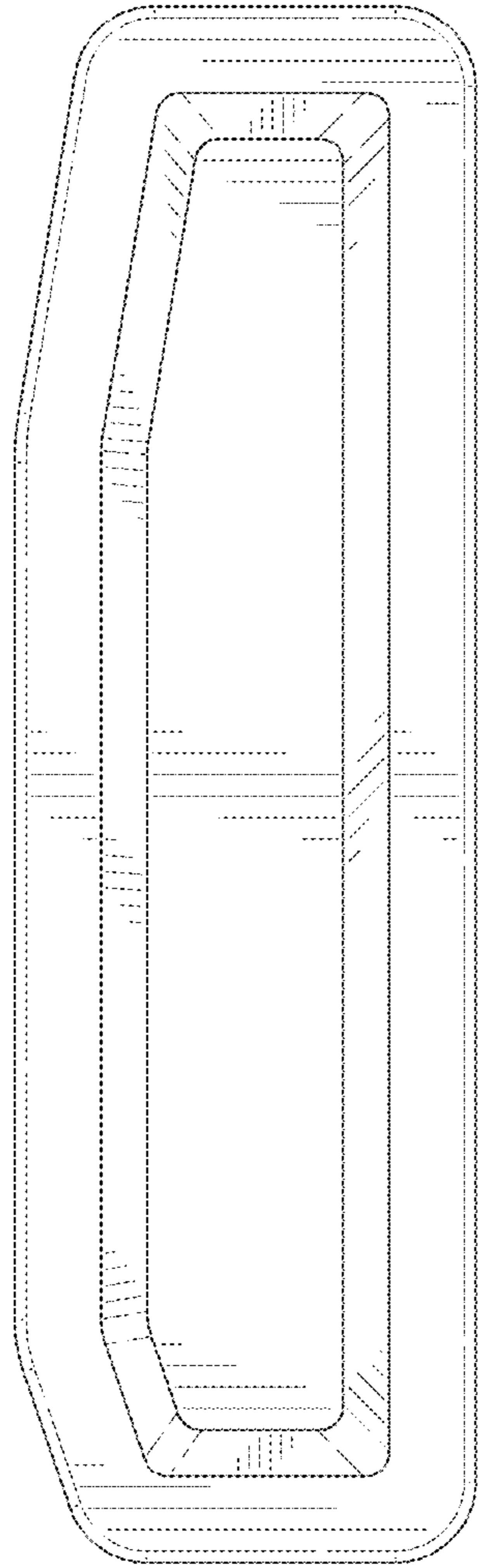


FIG. 5



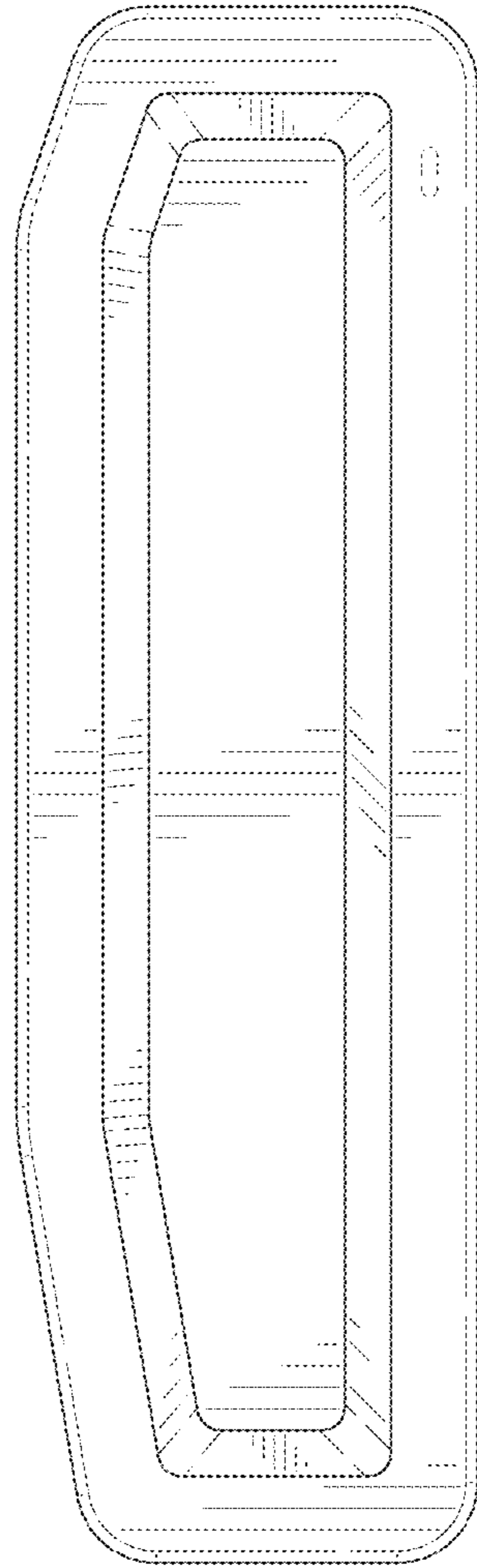


FIG. 6



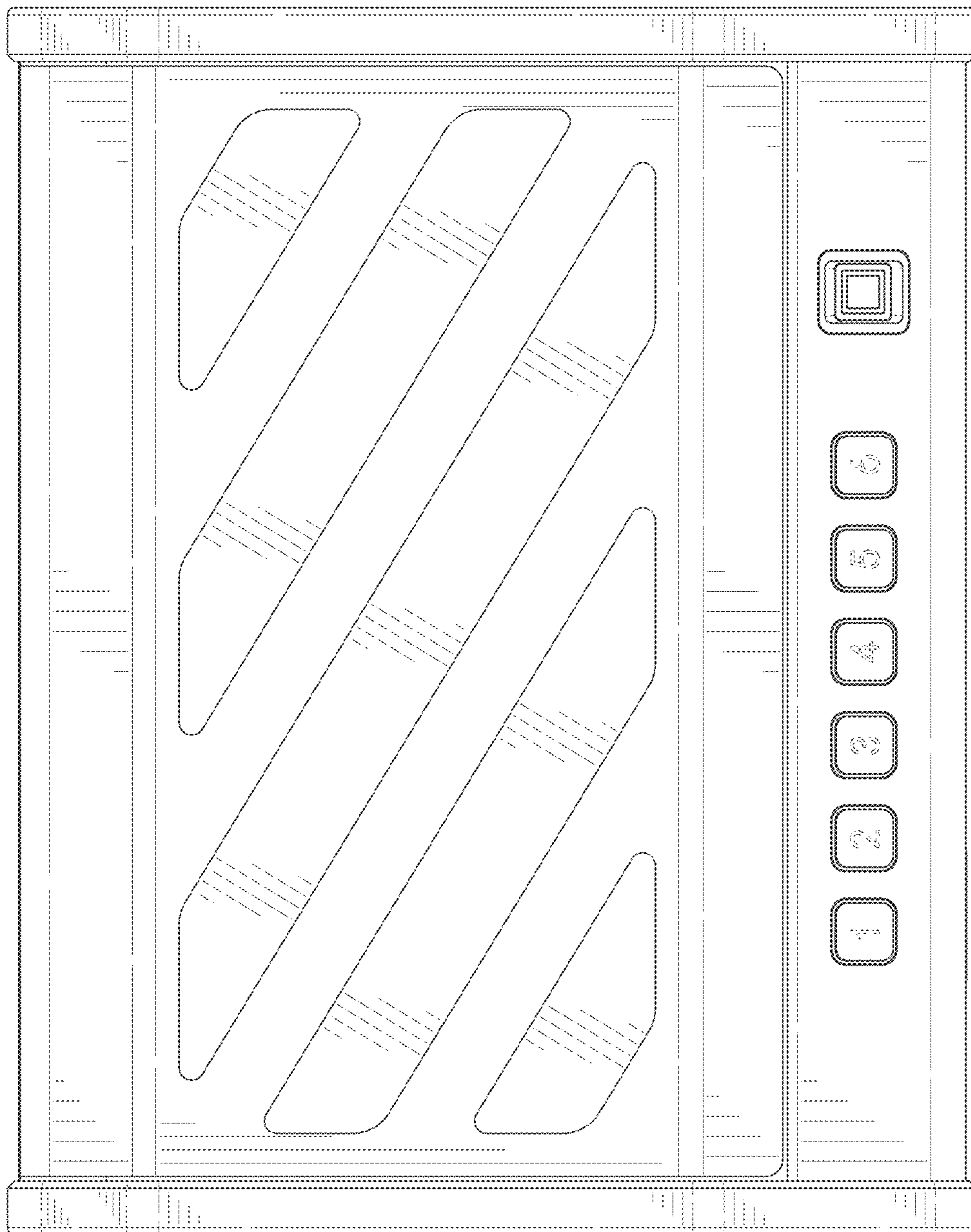


FIG. 7

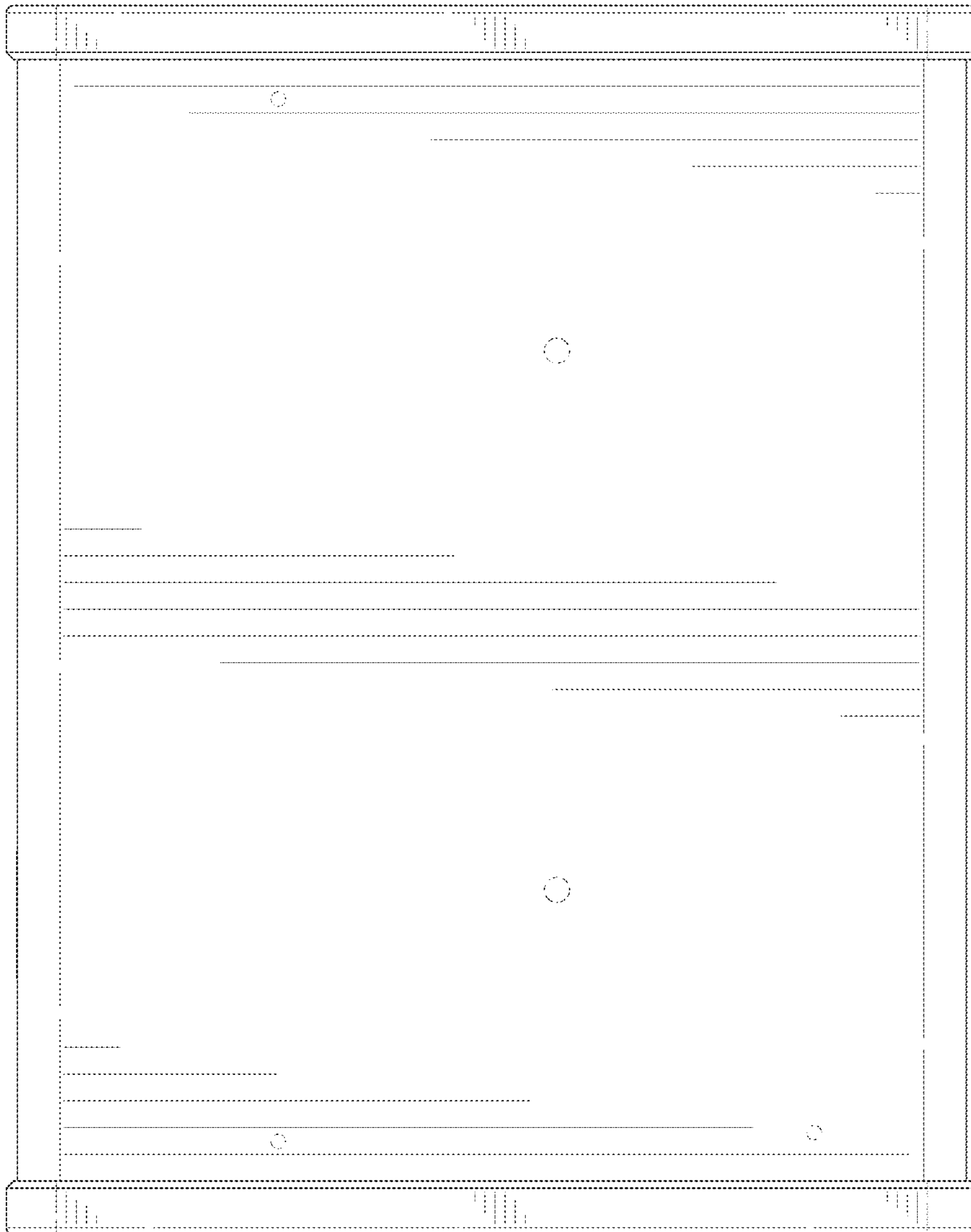


FIG. 8

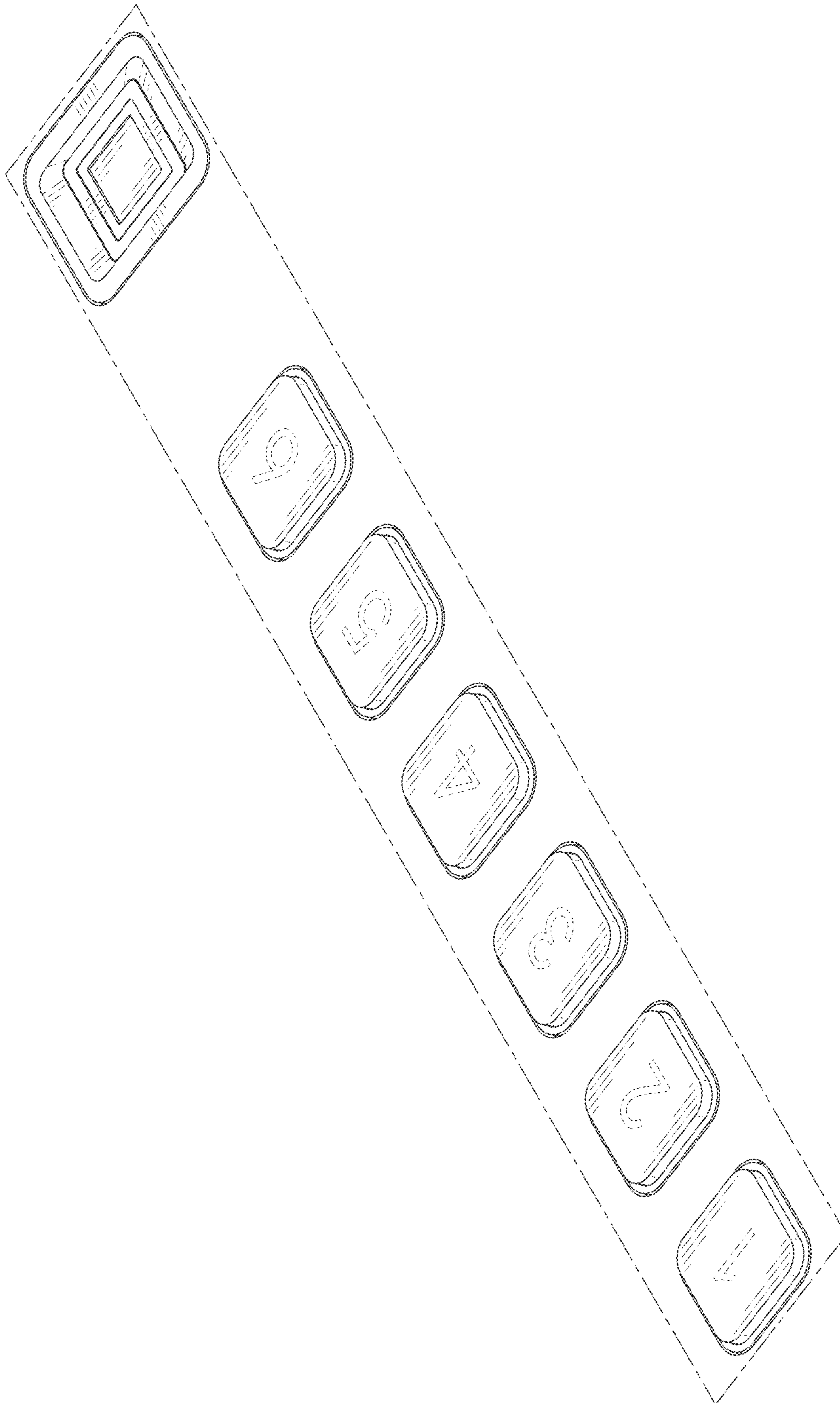


FIG. 9

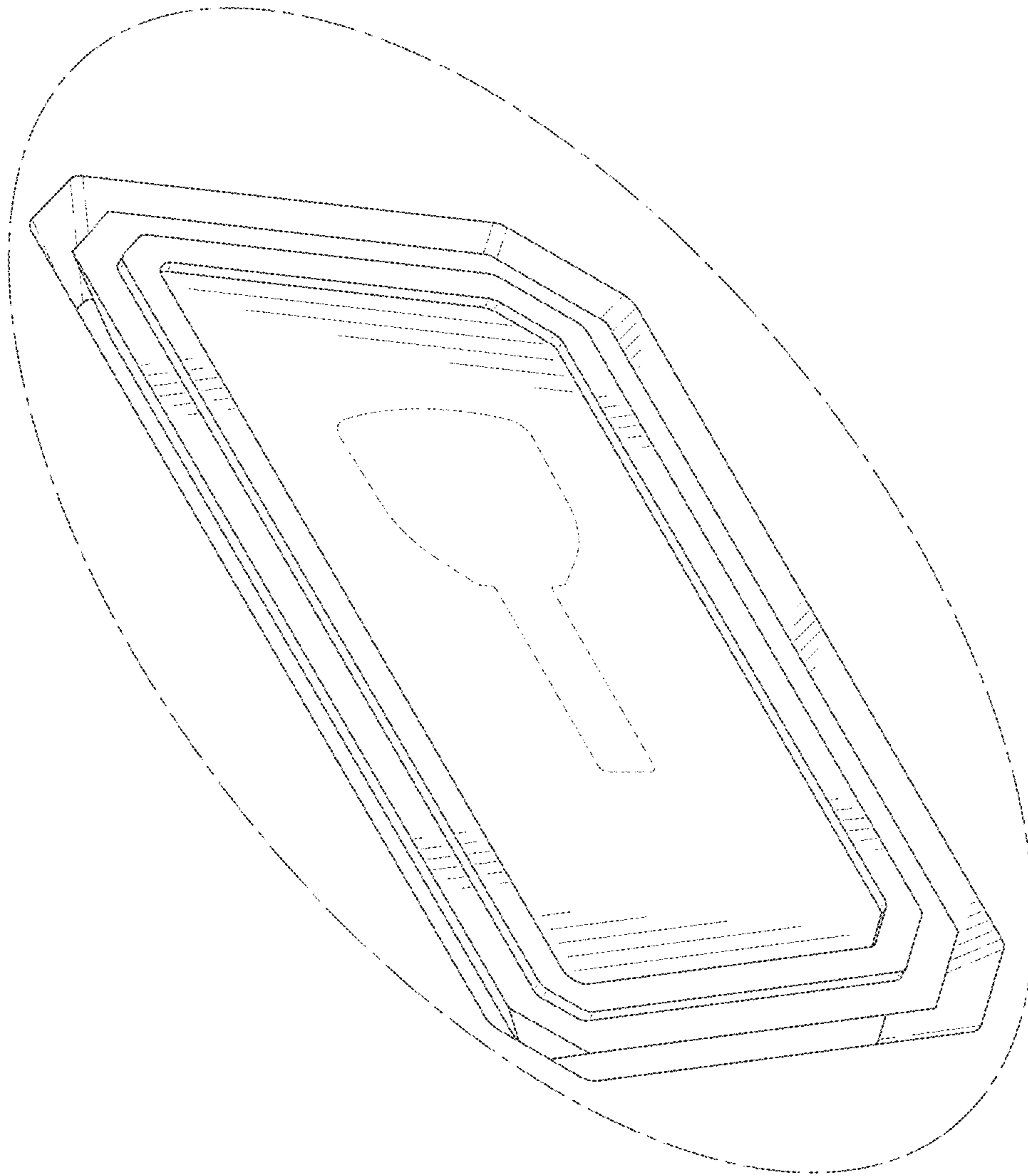


FIG. 10