



US00D975956S

(12) **United States Design Patent**  
**Lu**

(10) **Patent No.: US D975,956 S**  
(45) **Date of Patent: \*\* Jan. 17, 2023**

(54) **GRAVE MARKER STAND**  
(71) Applicant: **Quanzhou Heidi Trading Co., Ltd.**,  
Quanzhou (CN)  
(72) Inventor: **Jianhai Lu**, Quanzhou (CN)  
(\*\*) Term: **15 Years**  
(21) Appl. No.: **29/820,278**  
(22) Filed: **Dec. 21, 2021**  
(51) **LOC (14) Cl. .... 19-08**  
(52) **U.S. Cl.**  
USPC ..... **D99/18**  
(58) **Field of Classification Search**  
USPC ..... D99/17, 18, 19, 5; D20/41; D6/556;  
248/146; 411/480, 450; 27/1; 40/124.5,  
40/653, 645; 52/3, 103  
CPC ..... A61G 17/00; A61G 17/08; G01F 19/00;  
F16B 15/08; G09F 3/12; G09F 3/026;  
E04H 13/00  
See application file for complete search history.

2,181,977 A \* 12/1939 Magovern ..... G09F 3/206  
40/645  
2,207,180 A \* 7/1940 Smith ..... G09F 3/12  
40/645  
D193,078 S 6/1962 Clemmer  
3,098,320 A \* 7/1963 Estkowski ..... A01C 1/04  
206/820  
3,432,954 A \* 3/1969 Ford ..... B60R 13/10  
40/643  
3,456,660 A \* 7/1969 Borchardt ..... E04H 15/62  
135/118

(Continued)

**OTHER PUBLICATIONS**

SJZ, 6"×12" Grave Marker Stand for Human Memorial Stones,Pet Memorial Stones,Memorial Stones for Loved One. Applicant started the first sale of this product less than one year in amazon. The link of the sale: [https://www.amazon.com/dp/B09B13KPPY?ref=myi\\_title\\_dp](https://www.amazon.com/dp/B09B13KPPY?ref=myi_title_dp), not dated.

(Continued)

*Primary Examiner* — Paula Allen Greene  
(74) *Attorney, Agent, or Firm* — Xiaofang Zhong

(56) **References Cited**

**U.S. PATENT DOCUMENTS**

1,537,268 A \* 5/1925 Schott ..... B21J 15/02  
72/460  
1,674,005 A \* 6/1928 Eschenbach ..... G09F 3/206  
40/645  
1,822,787 A \* 9/1931 Slawson ..... G09F 3/206  
40/645  
2,010,246 A \* 8/1935 Slawson ..... E04H 13/003  
47/41.01  
2,048,906 A \* 7/1936 Webster ..... G09F 3/20  
40/645  
2,070,652 A \* 2/1937 Elmer ..... G09F 1/14  
40/607.1  
2,114,083 A \* 4/1938 Movius ..... G09F 3/14  
40/651  
2,153,229 A \* 4/1939 Arkin ..... E04H 13/00  
40/124.5

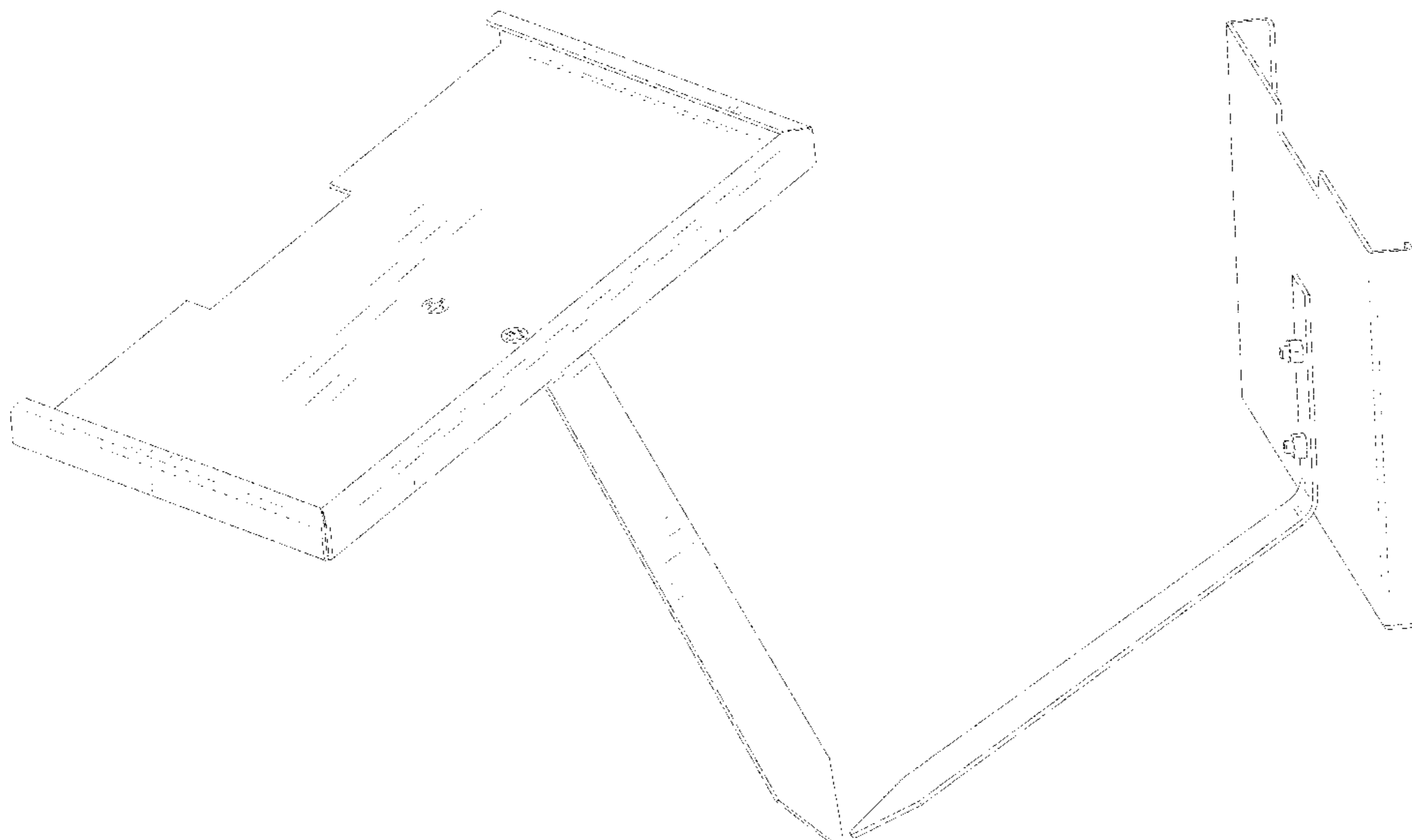
(57) **CLAIM**

The ornamental design for a grave marker stand, as shown and described.

**DESCRIPTION**

FIG. 1 is a perspective view of a grave marker stand showing my new design;  
FIG. 2 is a front elevational view thereof;  
FIG. 3 is a rear elevational view thereof;  
FIG. 4 is a left view thereof;  
FIG. 5 is a right view thereof;  
FIG. 6 is a top plan view thereof; and,  
FIG. 7 is a bottom plan view thereof.

**1 Claim, 7 Drawing Sheets**



(56)

**References Cited**

U.S. PATENT DOCUMENTS

4,079,530 A \* 3/1978 Atherton ..... G09F 3/206  
40/645

4,196,533 A \* 4/1980 Kamphausen ..... G09F 3/206  
40/645

4,731,943 A \* 3/1988 Schlichter ..... G09F 3/08  
40/594

4,893,455 A \* 1/1990 Hughes ..... A63B 57/30  
248/548

4,972,616 A \* 11/1990 Doll ..... G09F 3/206  
40/607.05

5,369,902 A \* 12/1994 Minster ..... G09F 3/12  
248/156

5,595,009 A \* 1/1997 Rummer ..... G09F 7/18  
40/608

D424,960 S \* 5/2000 Greene ..... D10/109.1

6,253,478 B1 \* 7/2001 Kalavity ..... G09F 3/20  
40/607.1

D476,131 S 6/2003 Barnes

D492,967 S 7/2004 Troitski et al.

D501,891 S 2/2005 Kaplan et al.

D503,842 S 4/2005 Barnes

6,898,879 B2 \* 5/2005 Regelin ..... G09F 3/12  
52/103

D667,889 S \* 9/2012 Kurmlavage ..... D20/43

D697,978 S \* 1/2014 Pires ..... D21/318

D711,064 S \* 8/2014 Miller ..... A61G 17/08  
D99/18

2002/0184798 A1 \* 12/2002 McGovern ..... G09F 7/18  
40/124.5

2003/0180121 A1 \* 9/2003 Farrell ..... F16B 15/0015  
411/450

2005/0022433 A1 \* 2/2005 Regelin ..... G09F 3/12  
40/124.5

OTHER PUBLICATIONS

WAQL, HED Grave Marker Stand for 6"×12" Stones, Memorial Stones for Loved One. Applicant started the first sale of this product less than one year in amazon. The link of the sale: <https://www.amazon.com/gp/product/B08VJKHJ5W>, not dated.

\* cited by examiner

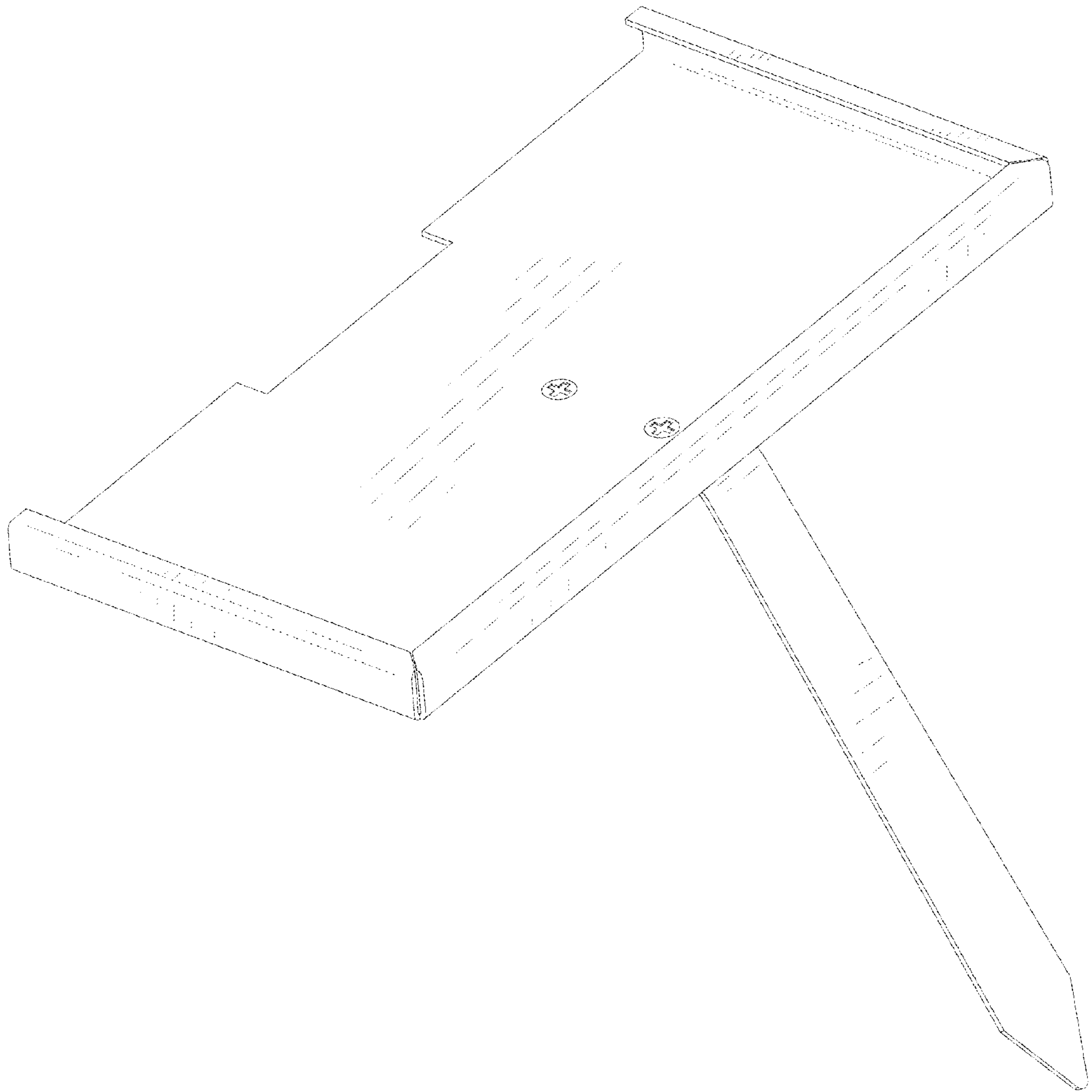


FIG.1

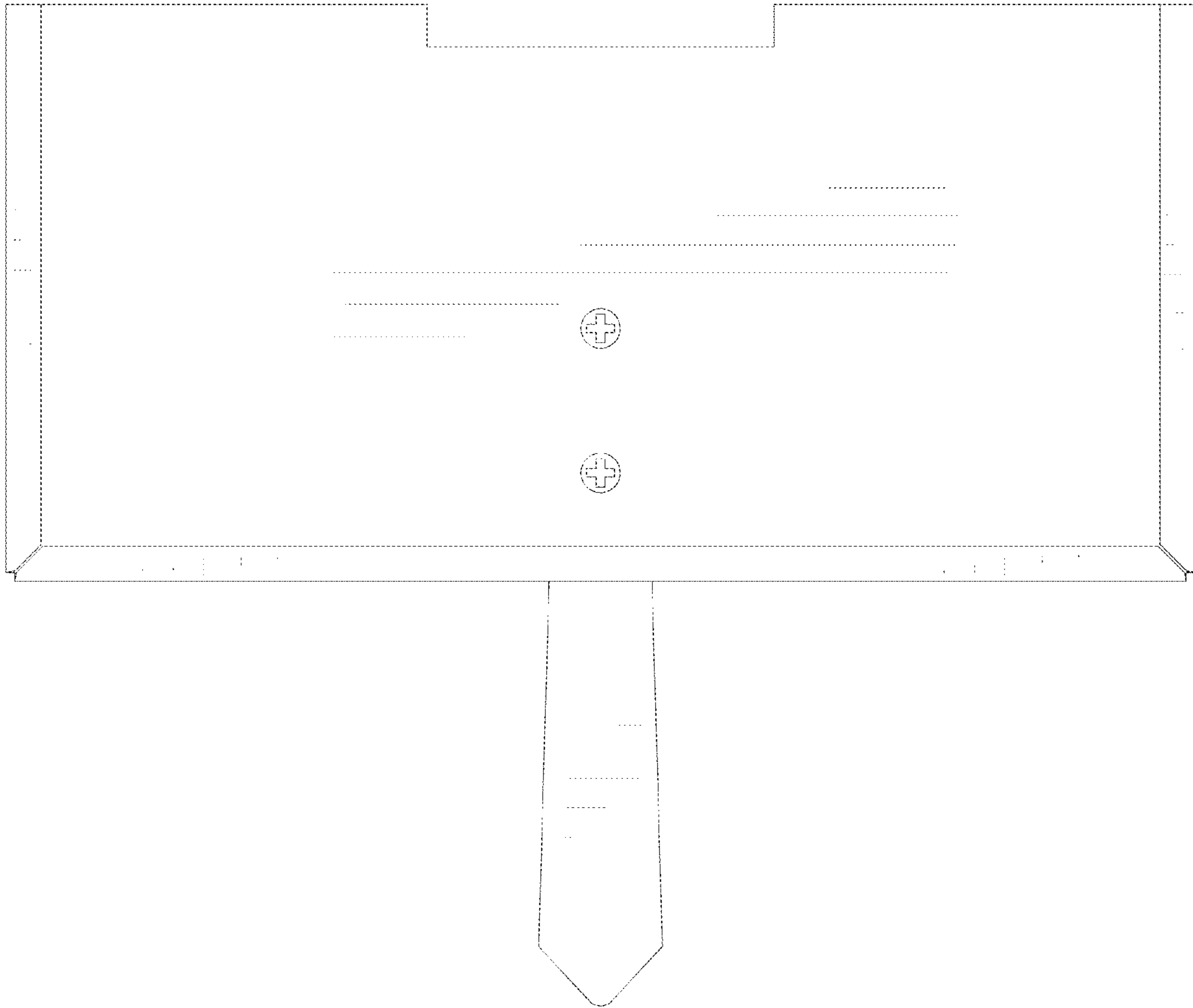


FIG. 2

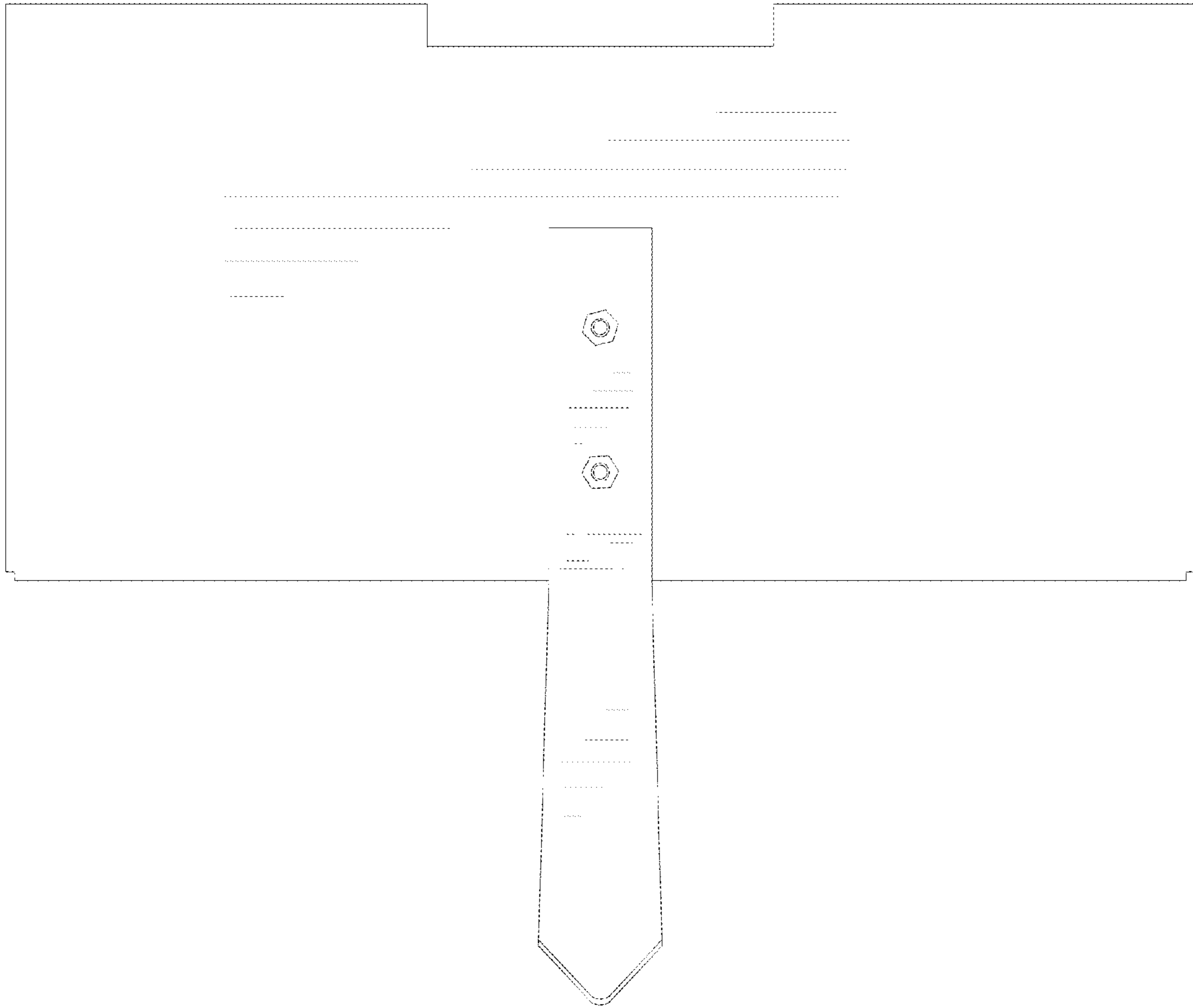


FIG. 3

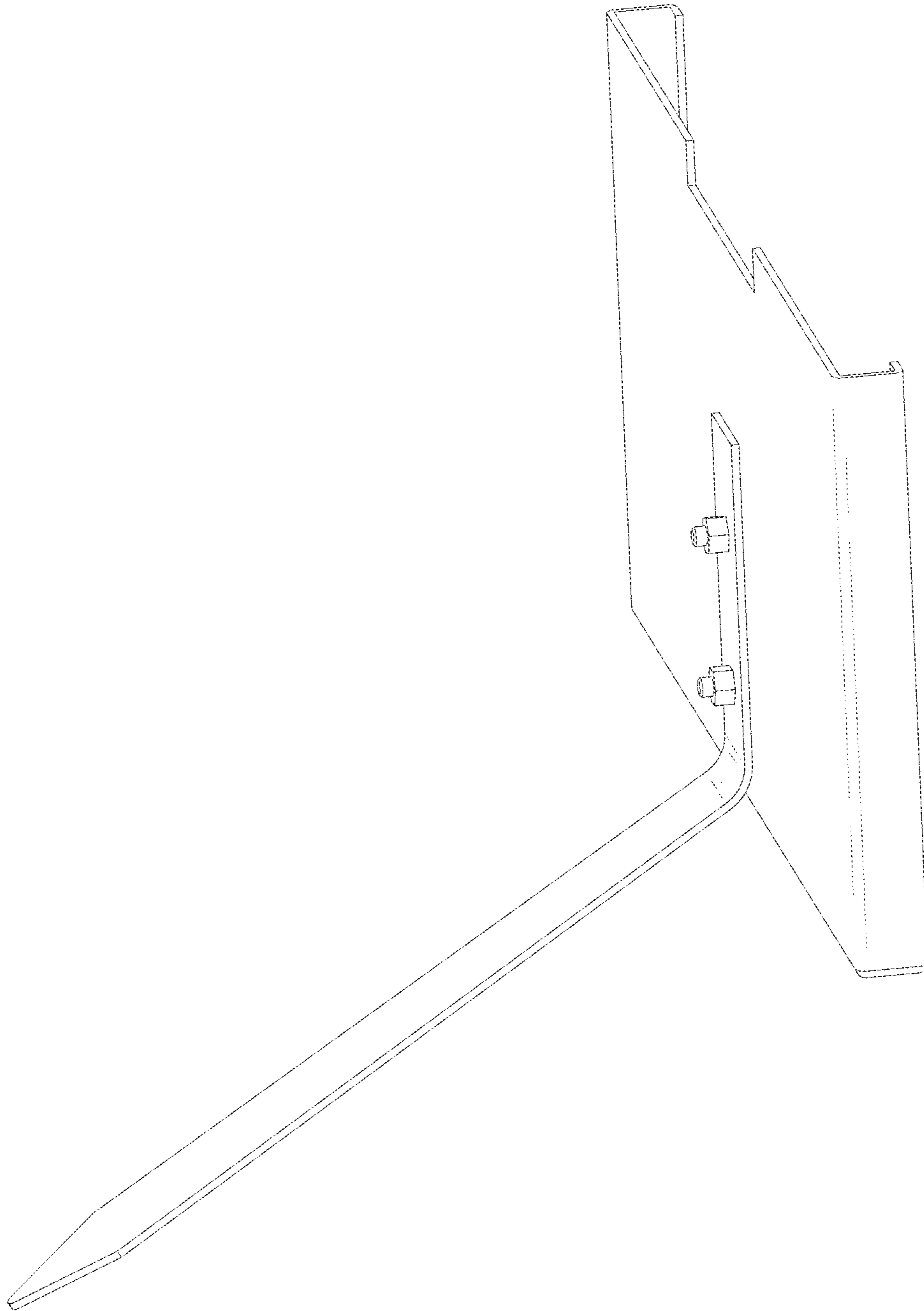


FIG. 4

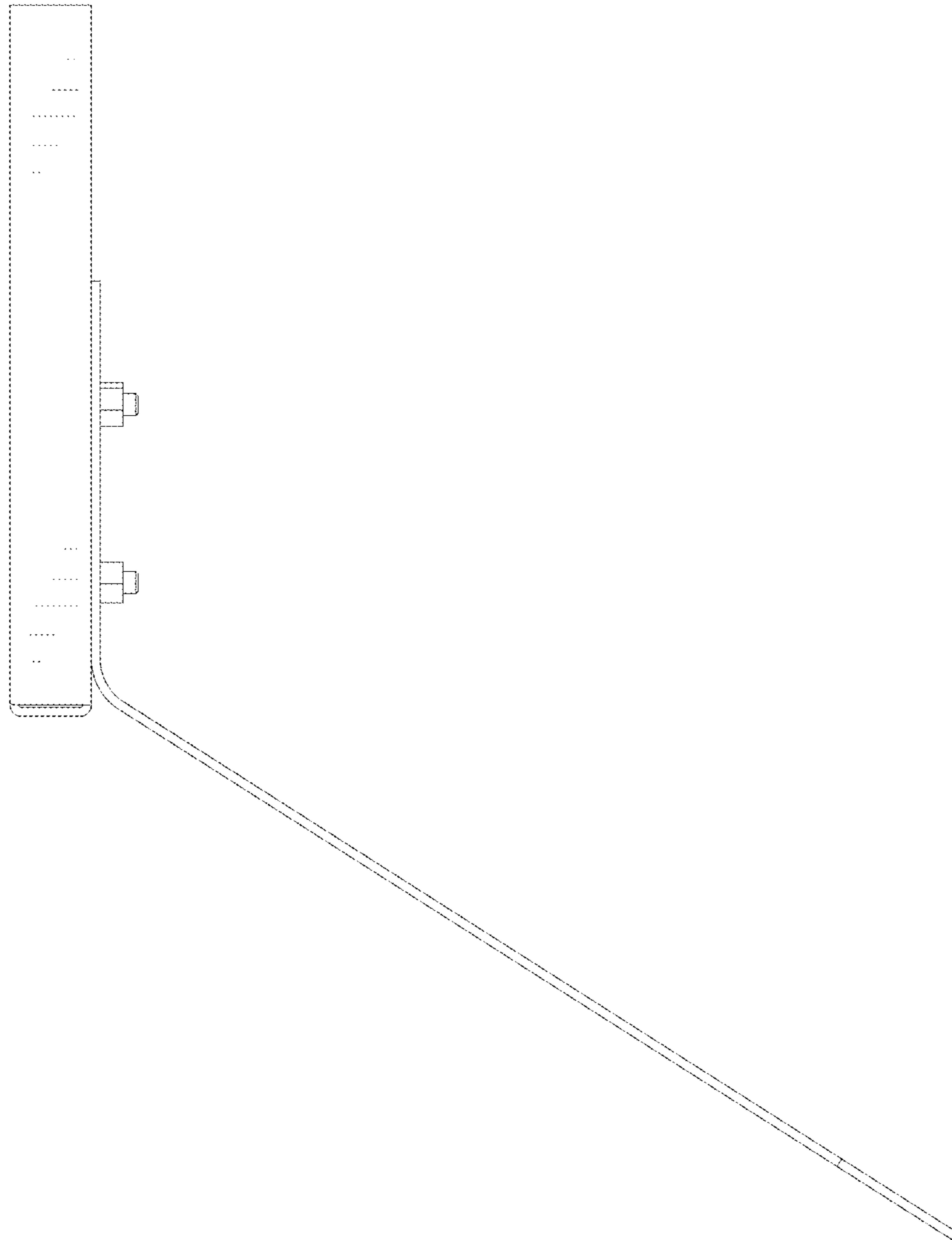


FIG. 5

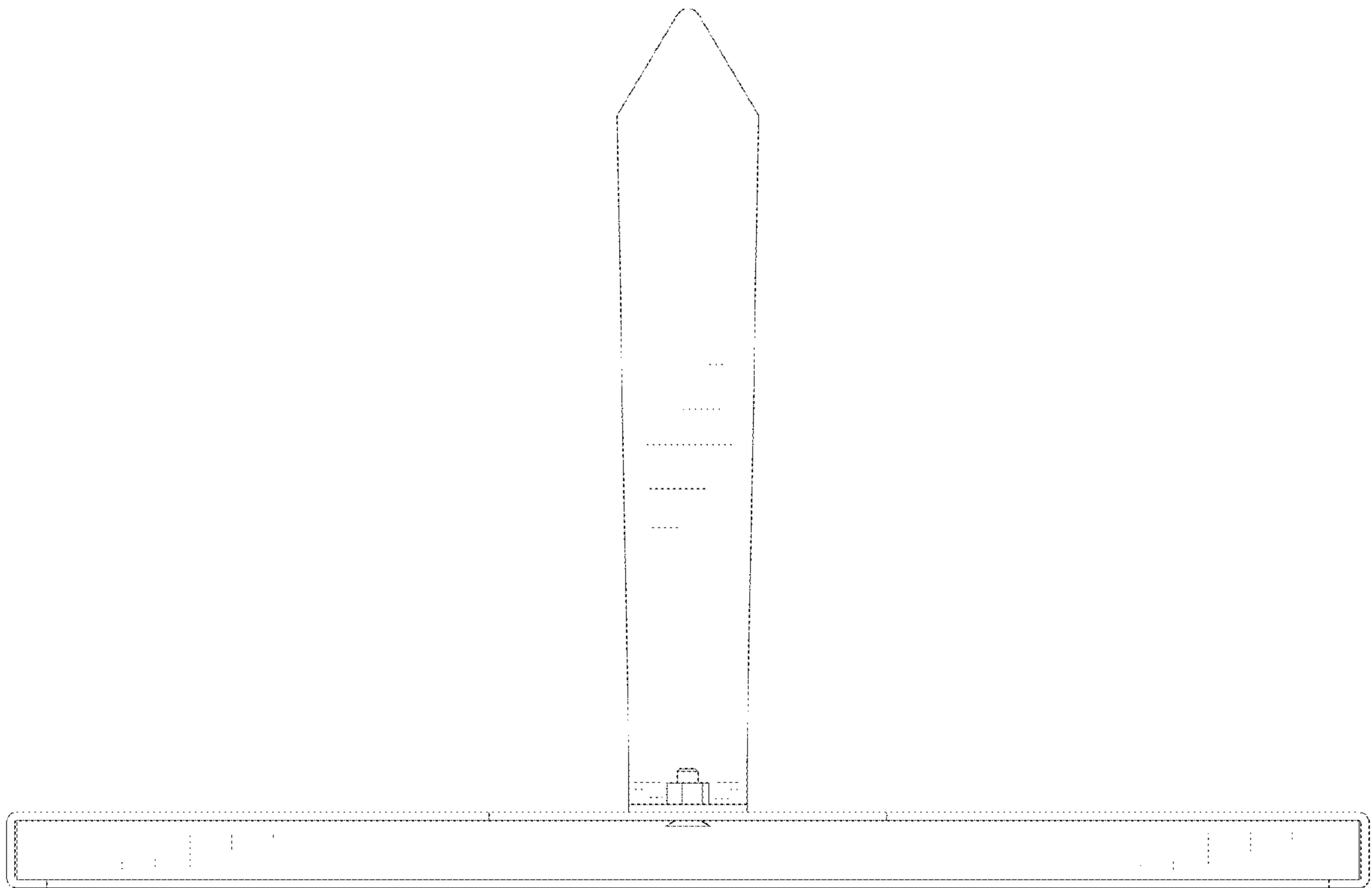


FIG.6



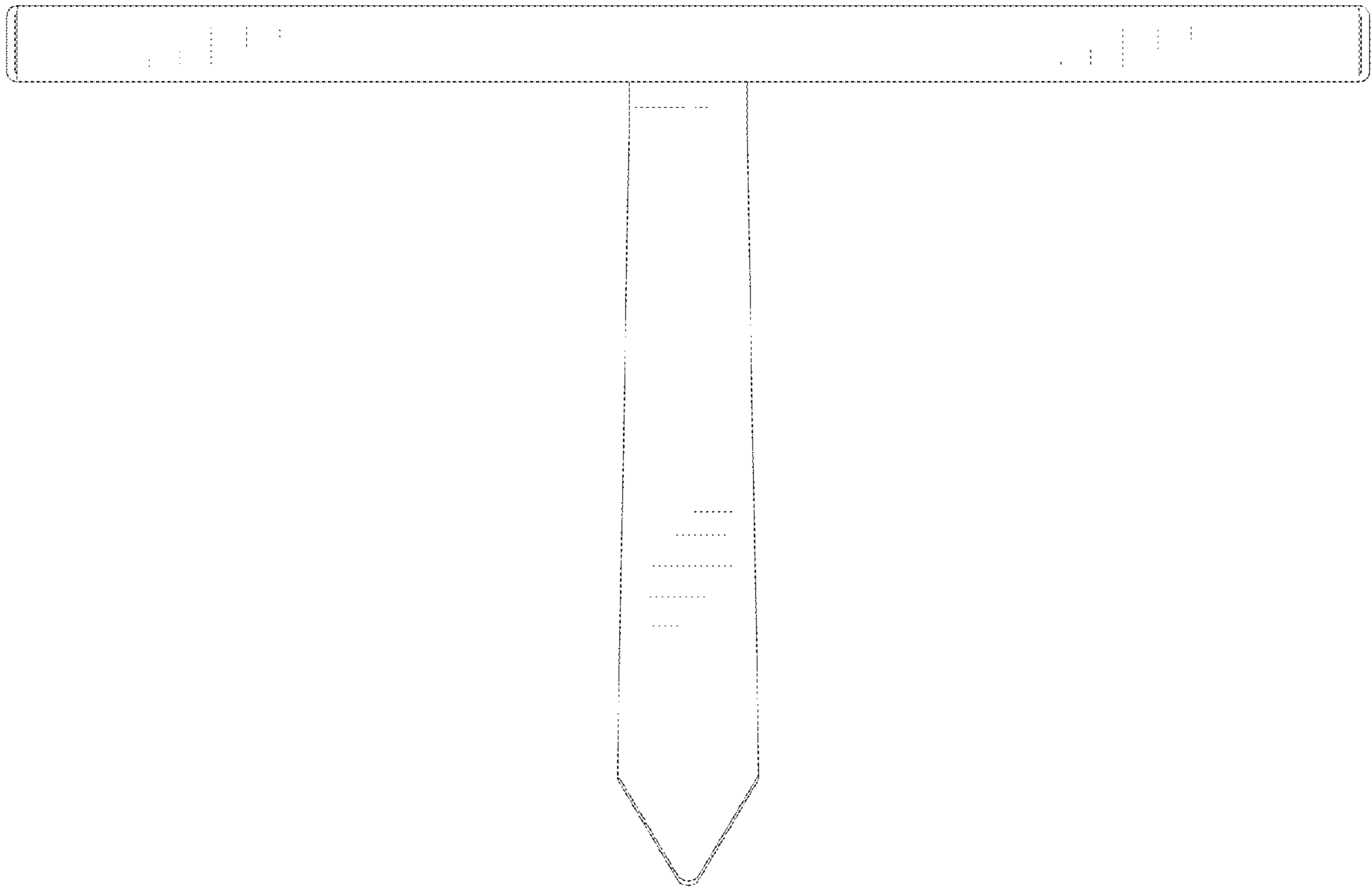


FIG. 7