



US00D975953S

(12) **United States Design Patent**
Cohen et al.

(10) **Patent No.:** **US D975,953 S**
(45) **Date of Patent:** **** *Jan. 17, 2023**

- (54) **CART**
- (71) Applicant: **Pegasus Medical (Israel) Ltd**, Ramat Gan (IL)
- (72) Inventors: **Tsvia Cohen**, Tel Aviv (IL); **Oren Mendelson**, Hod-Hasharon (IL)
- (73) Assignee: **Pegasus Medical (Israel) Ltd**
- (*) Notice: This patent is subject to a terminal disclaimer.
- (**) Term: **15 Years**
- (21) Appl. No.: **29/772,268**
- (22) Filed: **Mar. 1, 2021**
- (51) **LOC (14) Cl.** **12-02**
- (52) **U.S. Cl.**
USPC **D34/19**
- (58) **Field of Classification Search**
USPC D34/12, 17, 21, 25; D6/675.1, 671, D6/671.1, 657
CPC A47B 43/00; A47B 43/02; A47B 43/03; A47B 43/04; A47B 43/05; A47B 67/04; B62B 3/002; B62B 1/00
See application file for complete search history.

- D789,014 S * 6/2017 Schumaker D34/25
- D807,084 S * 1/2018 Waldner D6/671.1
- D832,625 S * 11/2018 Chiao D6/671
- D858,927 S * 9/2019 Wolford D34/14
- D872,963 S * 1/2020 Ferrara D34/25
- D934,599 S * 11/2021 Tilly D6/671.1
- D951,683 S * 5/2022 Davis D6/657

OTHER PUBLICATIONS

Harloff.com May 26, 2022, A-Series lightweight nursing cart, <https://www.harloff.com/product/a-series-lightweight-nursing-cart-medium-height-standard-width-five-drawers-key-lock-mpa3024k05/> (Year: 2022).*

Grizzly.com May 26, 2022, Grizzly H0840—5 drawer tool chest with ball bearing slides, <https://www.grizzly.com/products/grizzly-5-drawer-tool-chest-with-ball-bearing-slides/h0840> (Year: 2022).*

* cited by examiner

Primary Examiner — Cynthia Ramirez
(74) *Attorney, Agent, or Firm* — Fresh IP PLC; Clifford D. Hyra; Aubrey Y. Chen

(57) **CLAIM**

The ornamental design for a cart, as shown and described.

DESCRIPTION

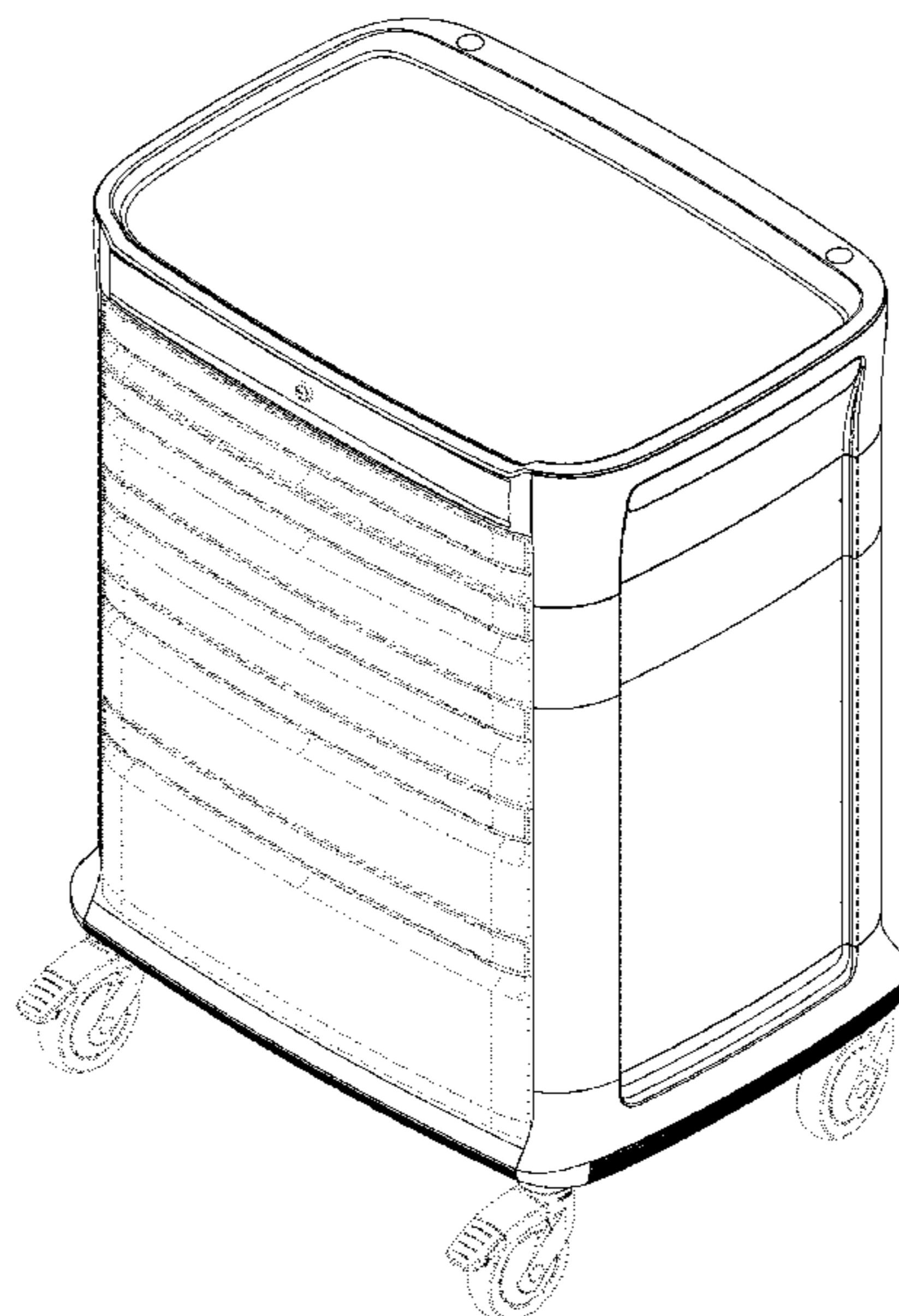
FIG. 1 is a perspective view showing a cart;
FIG. 2 is a front view thereof;
FIG. 3 is a rear view thereof;
FIG. 4 is a right side view thereof;
FIG. 5 is a left side view thereof;
FIG. 6 is a top view thereof;
FIG. 7 is a bottom view thereof; and,
FIG. 8 is a rear perspective view thereof.
The broken lines in the drawings are included for the purpose of illustrating portions of the cart which form no part of the claimed design.

1 Claim, 8 Drawing Sheets

(56) **References Cited**

U.S. PATENT DOCUMENTS

- D423,817 S * 5/2000 Holcomb D34/21
- D470,687 S * 2/2003 Binse D6/657
- D560,079 S * 1/2008 Mehmen D6/668
- D613,972 S * 4/2010 Hand D6/705.5
- D615,208 S * 5/2010 Keffeler D24/185
- D636,615 S * 4/2011 Grela D34/20
- D644,037 S * 8/2011 Koehn D6/702
- D665,597 S * 8/2012 Dufoure D34/20
- D672,575 S * 12/2012 Christopher D6/671.1
- D723,237 S * 2/2015 Maddux D34/12



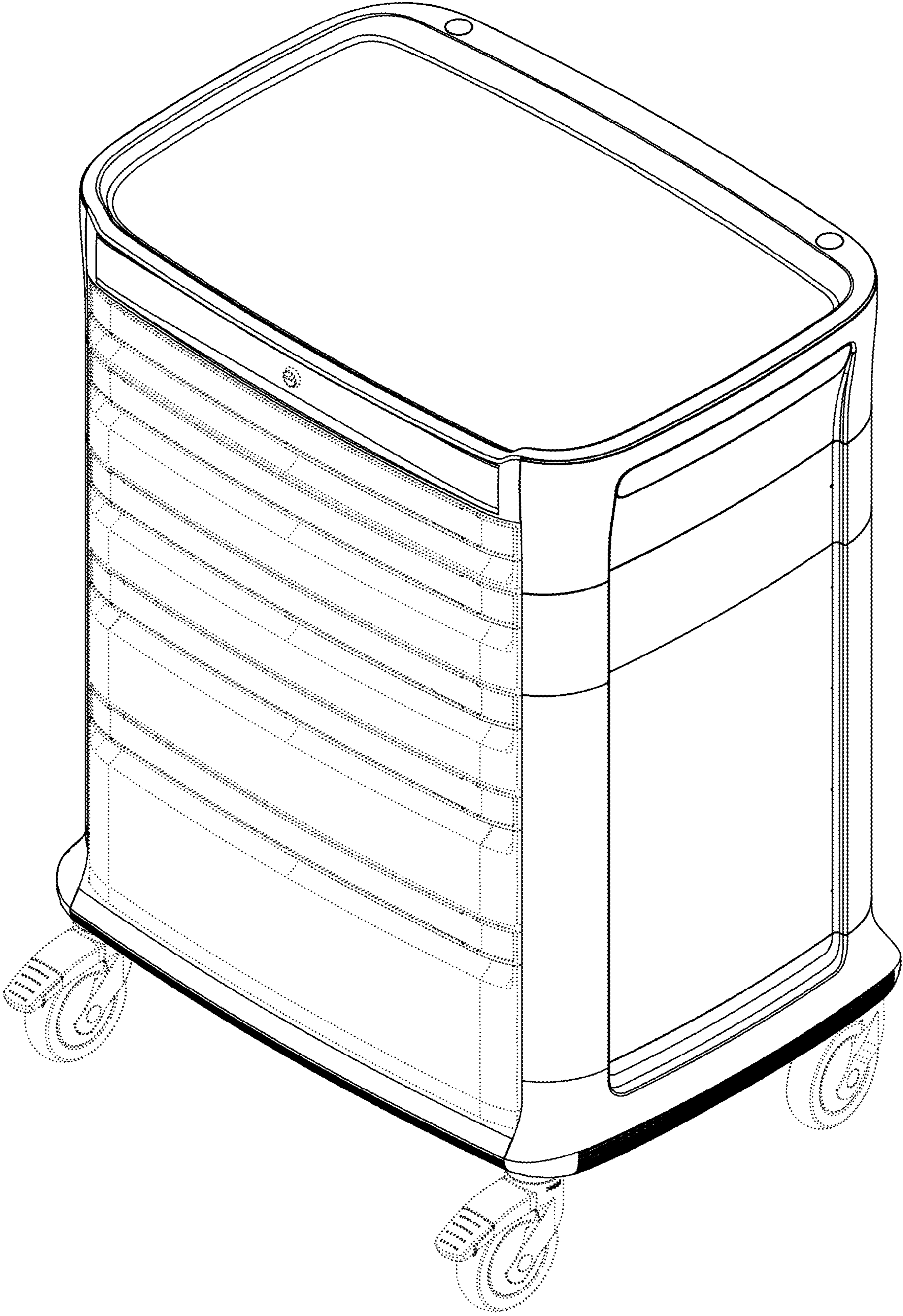


FIG.1

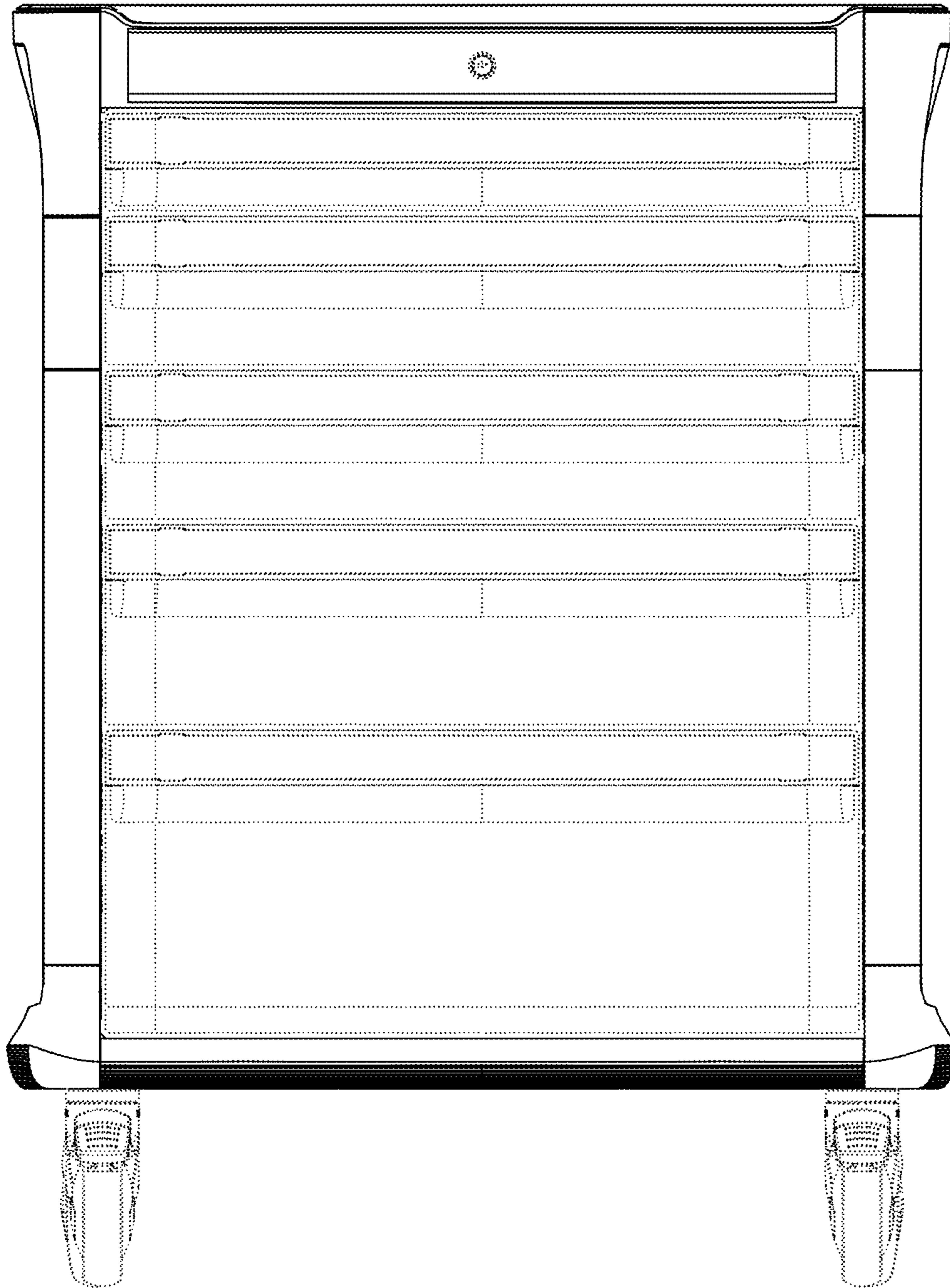


FIG.2

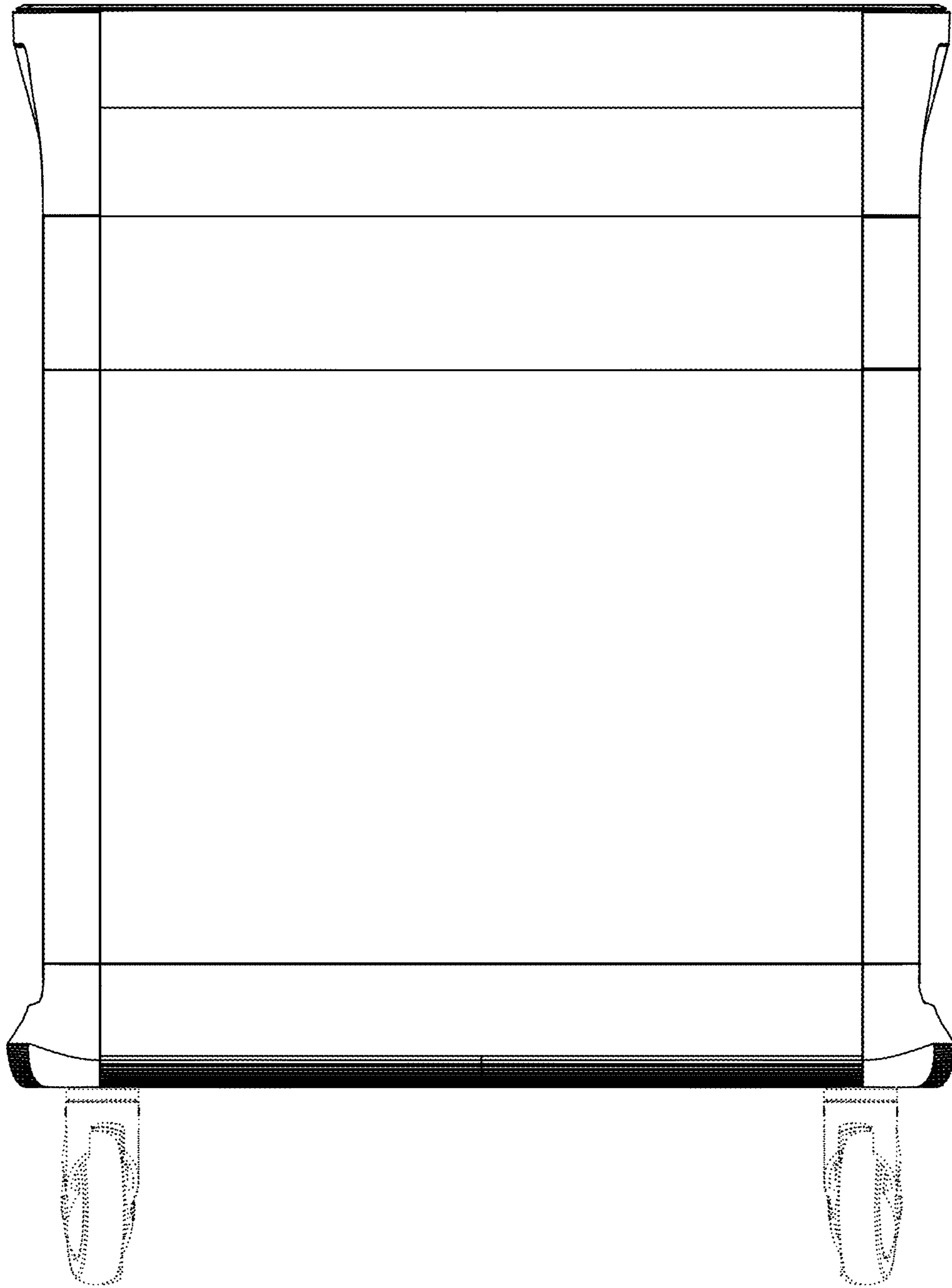


FIG.3

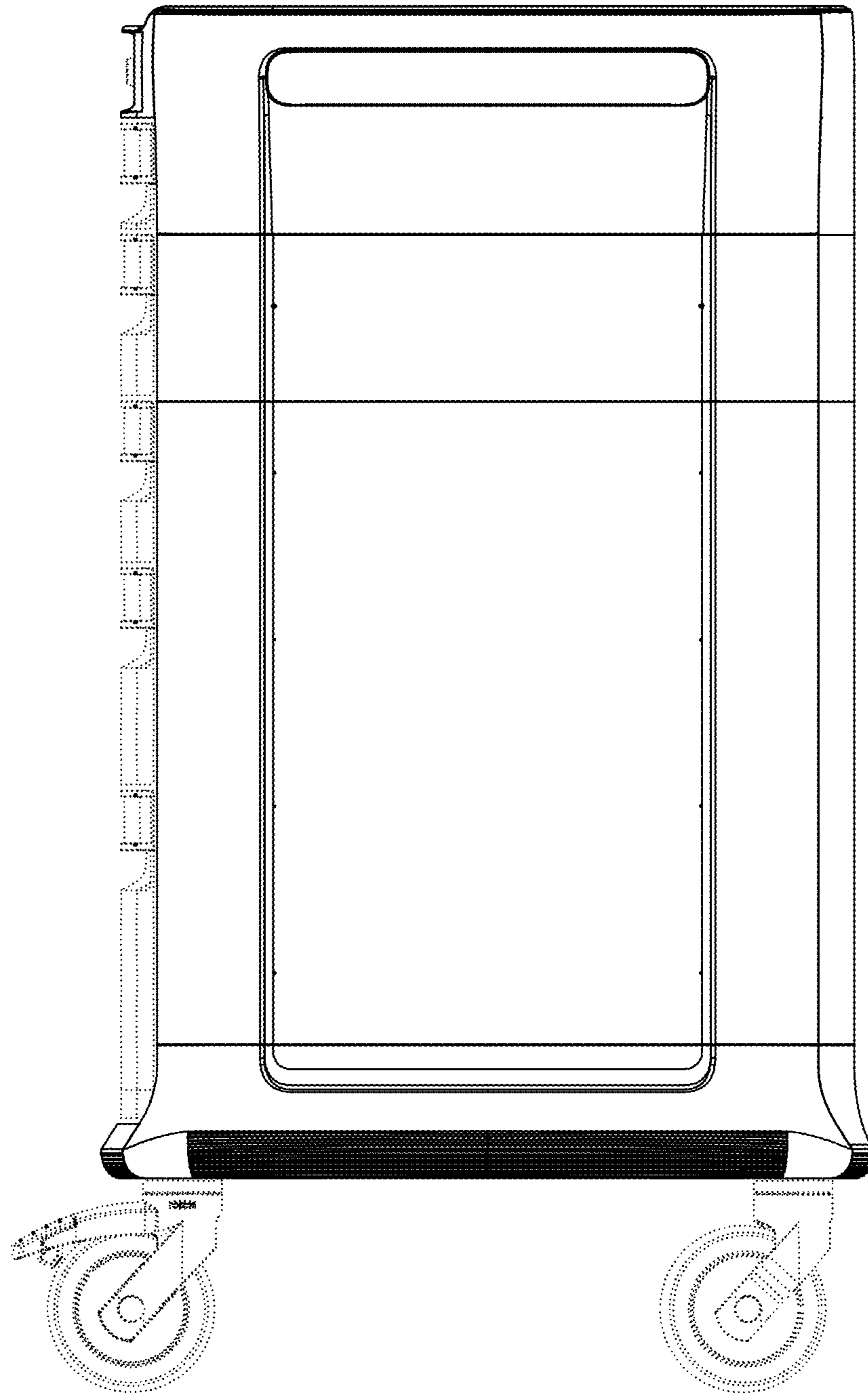


FIG.4

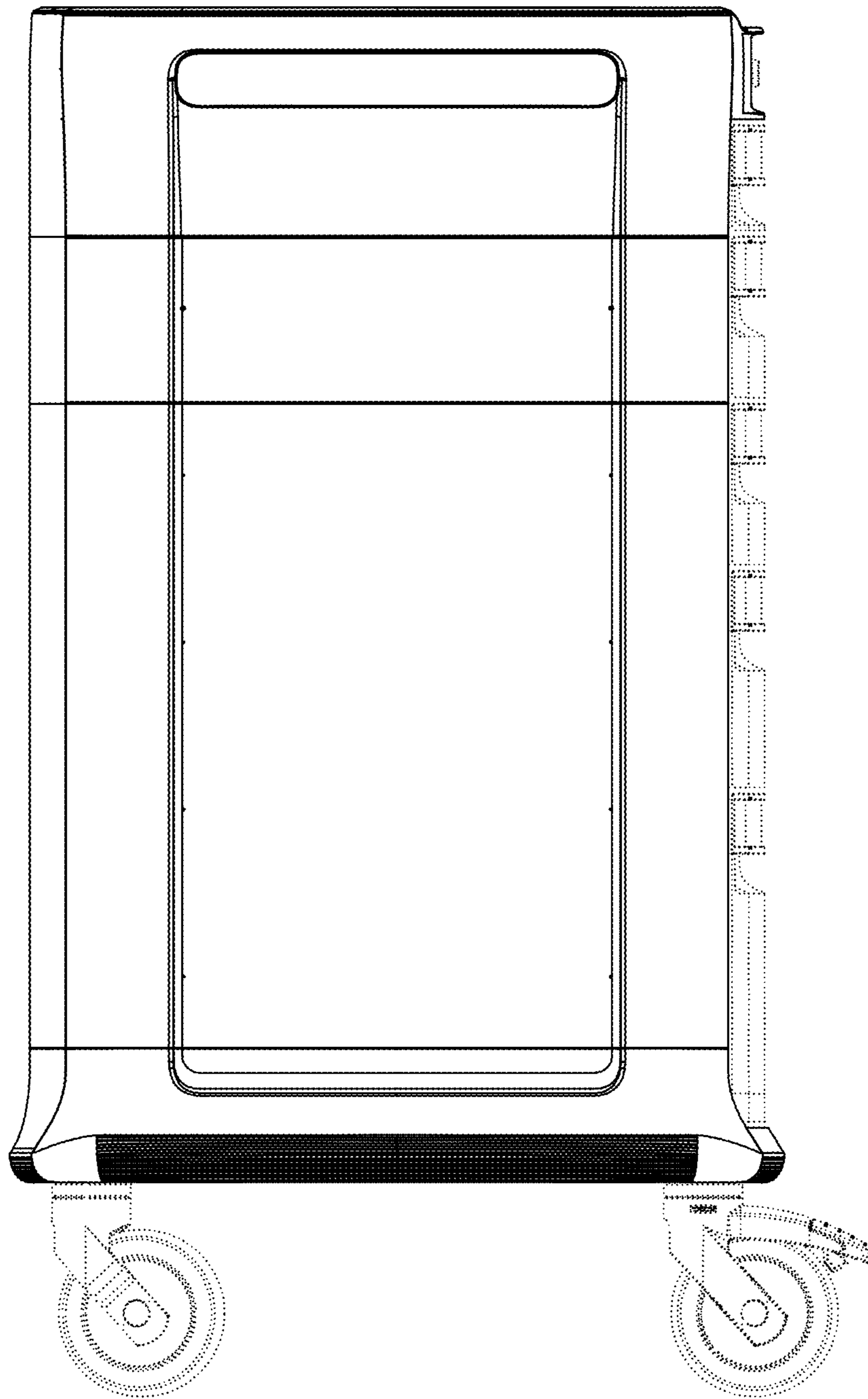


FIG.5

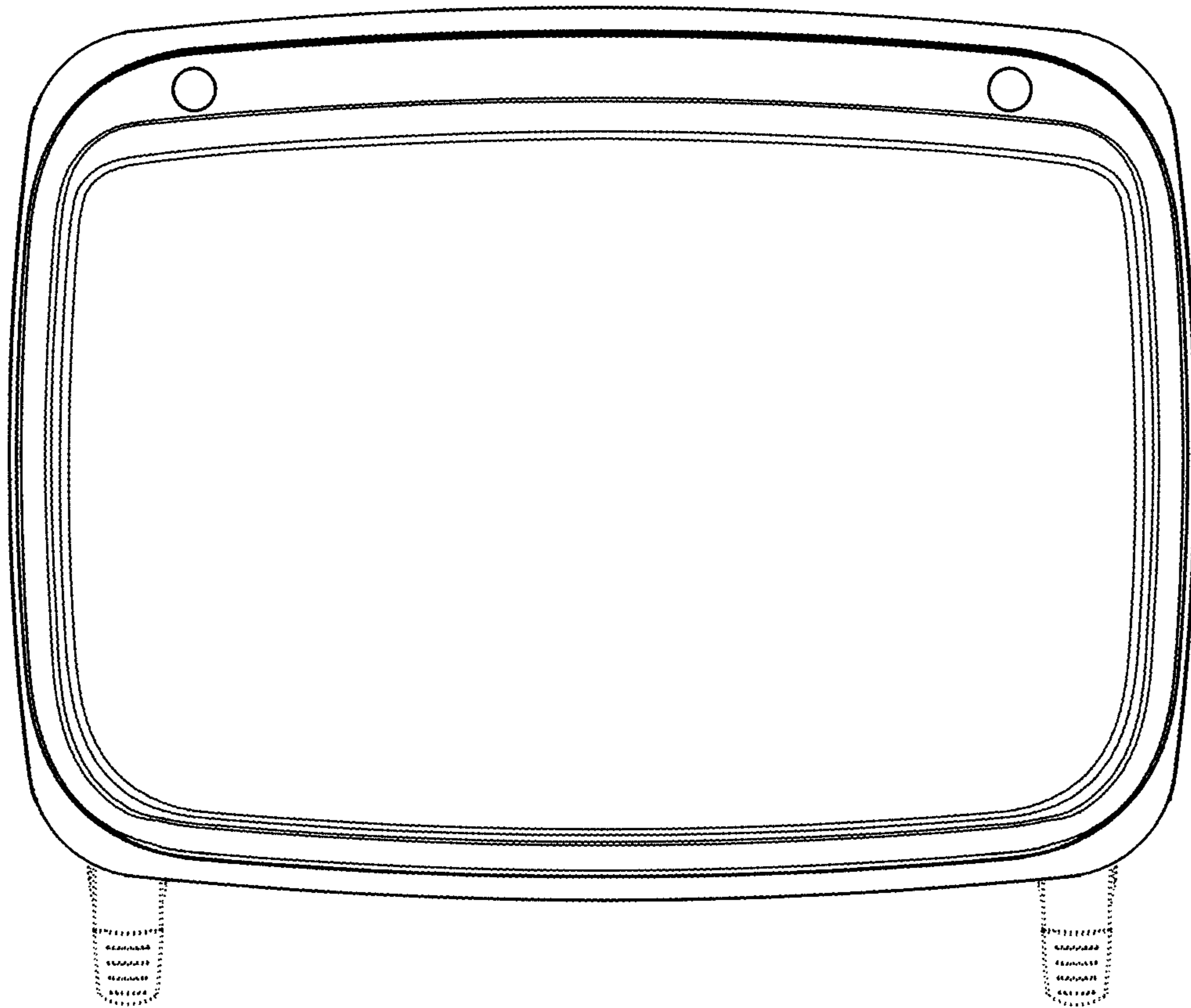


FIG.6

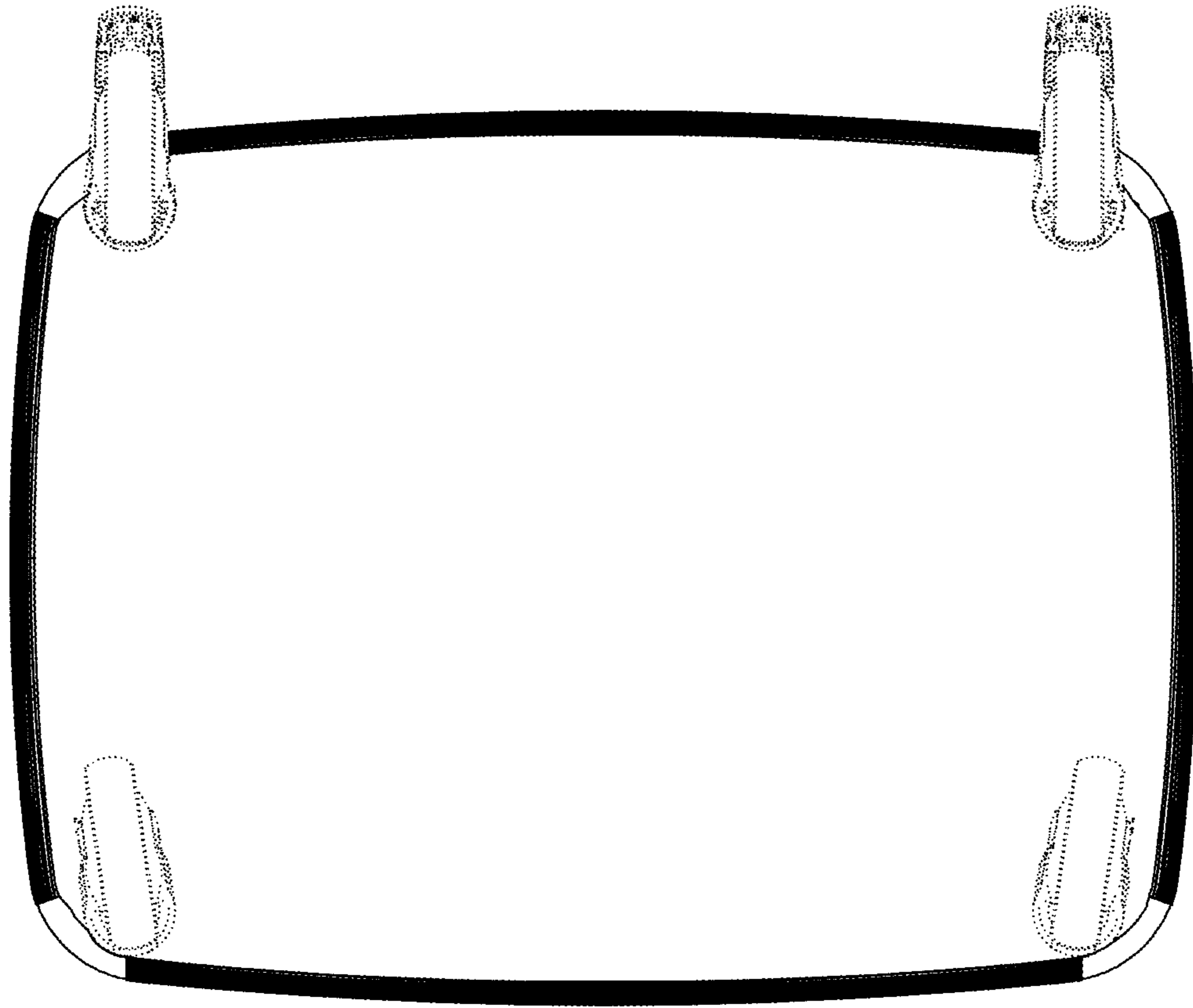


FIG.7

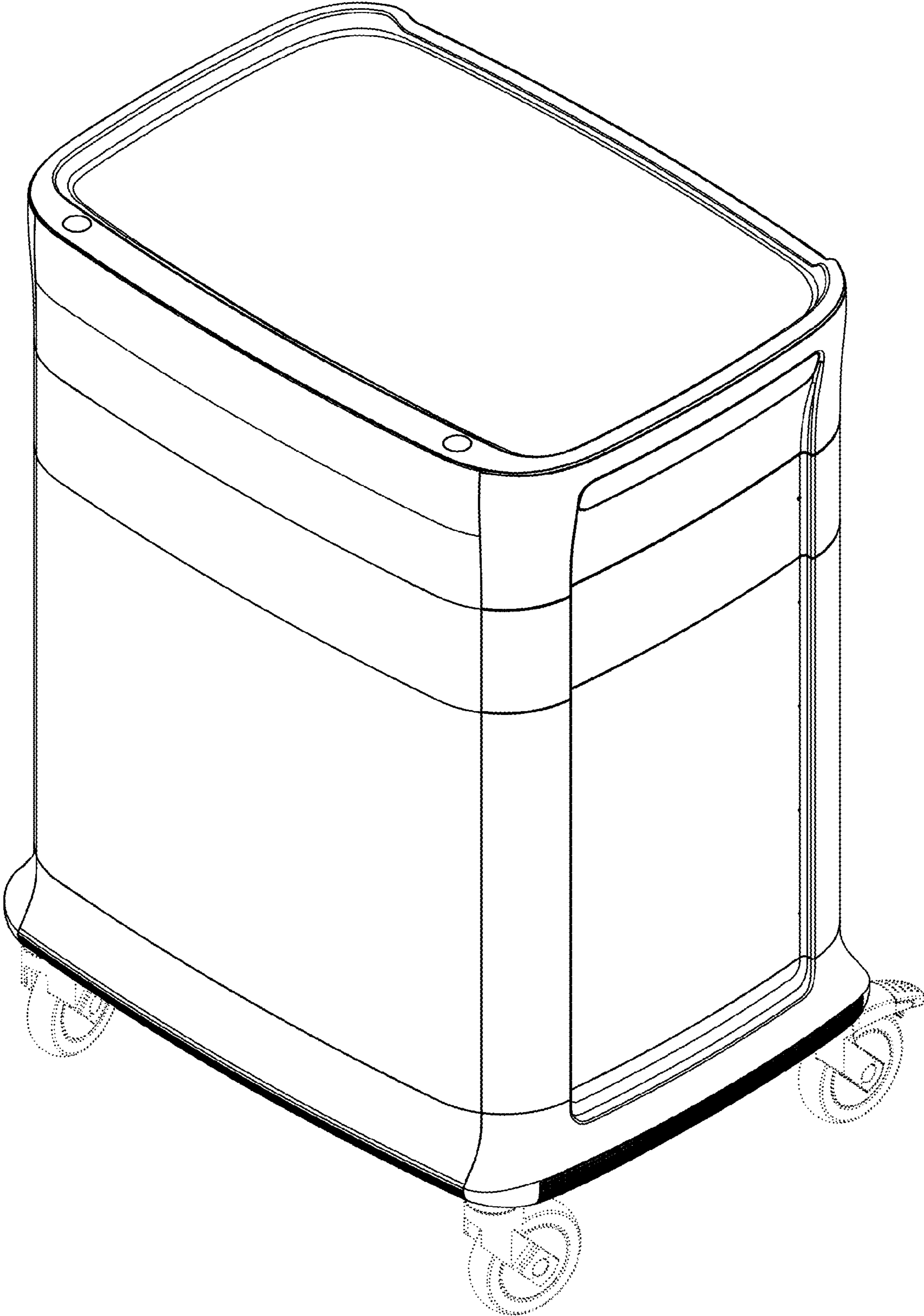


FIG.8