



US00D975951S

(12) **United States Design Patent**  
**Friedman et al.**

(10) **Patent No.:** **US D975,951 S**

(45) **Date of Patent:** **\*\* Jan. 17, 2023**

(54) **BUCKET LID SEAT**

(71) Applicants: **Matthew J. Friedman**, Scottsdale, AZ  
(US); **Michael L. Bill**, Dana Point, CA  
(US)

(72) Inventors: **Matthew J. Friedman**, Scottsdale, AZ  
(US); **Michael L. Bill**, Dana Point, CA  
(US)

(\*\*) Term: **15 Years**

(21) Appl. No.: **29/739,198**

(22) Filed: **Jun. 23, 2020**

(51) **LOC (14) Cl.** ..... **07-05**

(52) **U.S. Cl.**  
USPC ..... **D32/54**

(58) **Field of Classification Search**  
USPC ..... D3/304, 307-313; D7/605, 701,  
D7/705-708; D32/53, 53.1, 54  
CPC ..... F25D 3/08; F25D 31/007; A47L 13/51;  
B65D 1/243; B65D 1/22; B65D 71/0003;  
B44D 3/123; B44D 3/128; B44D 3/126  
See application file for complete search history.

(56) **References Cited**

**U.S. PATENT DOCUMENTS**

- 3,469,735 A \* 9/1969 Burt ..... B65D 25/50  
220/733
- 3,904,072 A \* 9/1975 Whiteside ..... B65D 43/0229  
220/288
- D277,646 S \* 2/1985 Jorgensen ..... D9/780
- D286,370 S \* 10/1986 Wirts ..... D8/356
- 4,677,785 A \* 7/1987 Lambourn ..... A01K 97/05  
D22/136
- 4,955,500 A \* 9/1990 Rhoads ..... B44D 3/127  
220/733
- D327,648 S \* 7/1992 Cane ..... D9/435
- D347,578 S \* 6/1994 Curzon ..... D9/453
- D362,804 S \* 10/1995 Warren ..... D7/369
- D371,185 S \* 6/1996 Mullins ..... D22/136
- D439,022 S \* 3/2001 Brandeis ..... D3/308

- D445,687 S \* 7/2001 Gilbertson ..... D7/392.1
- 6,711,849 B1 \* 3/2004 Moretti ..... A01K 97/02  
43/44.99
- D531,505 S \* 11/2006 Lohrman ..... D9/453
- D816,285 S \* 4/2018 Seiders ..... D32/53
- D821,669 S \* 6/2018 Arciniegas ..... D9/532
- D840,819 S \* 2/2019 Hudson ..... D9/454
- D885,185 S \* 5/2020 Hudson ..... D9/454
- D901,297 S \* 11/2020 Hudson ..... D9/454
- D902,517 S \* 11/2020 Lawrence ..... D32/53

(Continued)

**OTHER PUBLICATIONS**

grainger.com bucket lid seat [https://www.grainger.com/product/CLC-Bucket-Lid-Seat-Plastic-23NJ28?cm\\_sp=Home-\\_-Products\\_You\\_Have\\_Recently\\_Viewed--AZHPRV\\_HPAD-080620&cm\\_vc=AZHPRV\\_HPAD-080620](https://www.grainger.com/product/CLC-Bucket-Lid-Seat-Plastic-23NJ28?cm_sp=Home-_-Products_You_Have_Recently_Viewed--AZHPRV_HPAD-080620&cm_vc=AZHPRV_HPAD-080620) (Year: 2022).\*

*Primary Examiner* — Kevin K Rudzinski  
*Assistant Examiner* — Richard E Yenchesky  
(74) *Attorney, Agent, or Firm* — Charmasson, Buchaca & Leach, LLP

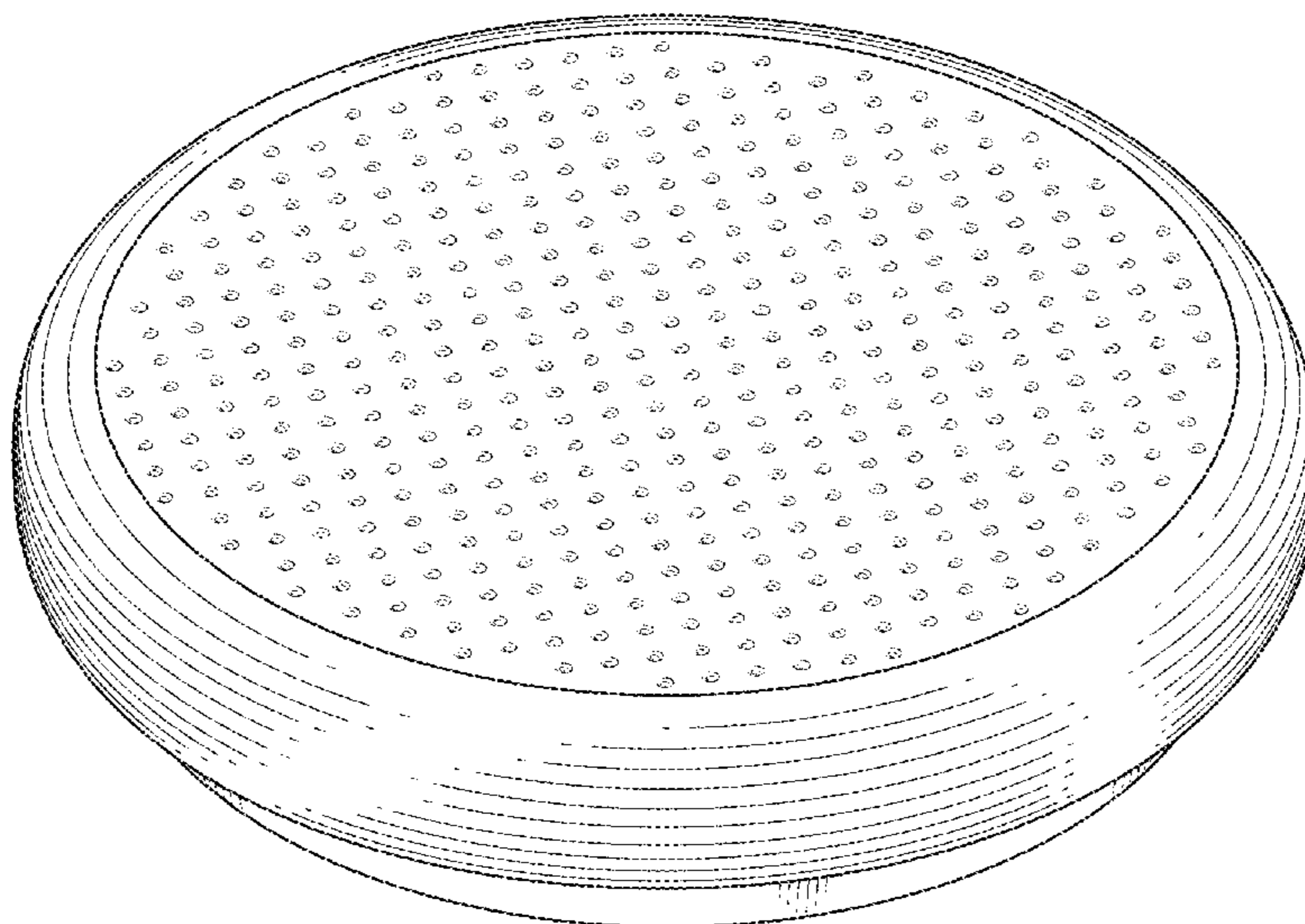
(57) **CLAIM**

The ornamental design for a bucket lid seat, as shown and described.

**DESCRIPTION**

FIG. 1 shows the top, front, right side perspective view of an ornamental design of a bucket lid seat according to the invention.  
FIG. 2 shows the bottom, back, left side perspective view thereof.  
FIG. 3 shows the top plan view thereof.  
FIG. 4 shows the bottom plan view thereof; and,  
FIG. 5 shows the right side elevation view thereof, the left side, front, and back elevation views being identical images thereof.  
Shading lines are used to show solid structures and are not intended to indicate surface decoration.

**1 Claim, 4 Drawing Sheets**



(56)

**References Cited**

U.S. PATENT DOCUMENTS

D940,982 S \* 1/2022 Le ..... D9/453  
D940,990 S \* 1/2022 Wieser ..... D99/8  
2002/0195471 A1\* 12/2002 Nottingham ..... B01F 35/42  
206/508  
2007/0017922 A1\* 1/2007 Arciniegas M. ... B65D 21/0233  
220/675  
2007/0187413 A1\* 8/2007 Gruskin ..... B65D 1/46  
220/500  
2016/0206293 A1\* 7/2016 Schiestle ..... G01N 1/38

\* cited by examiner

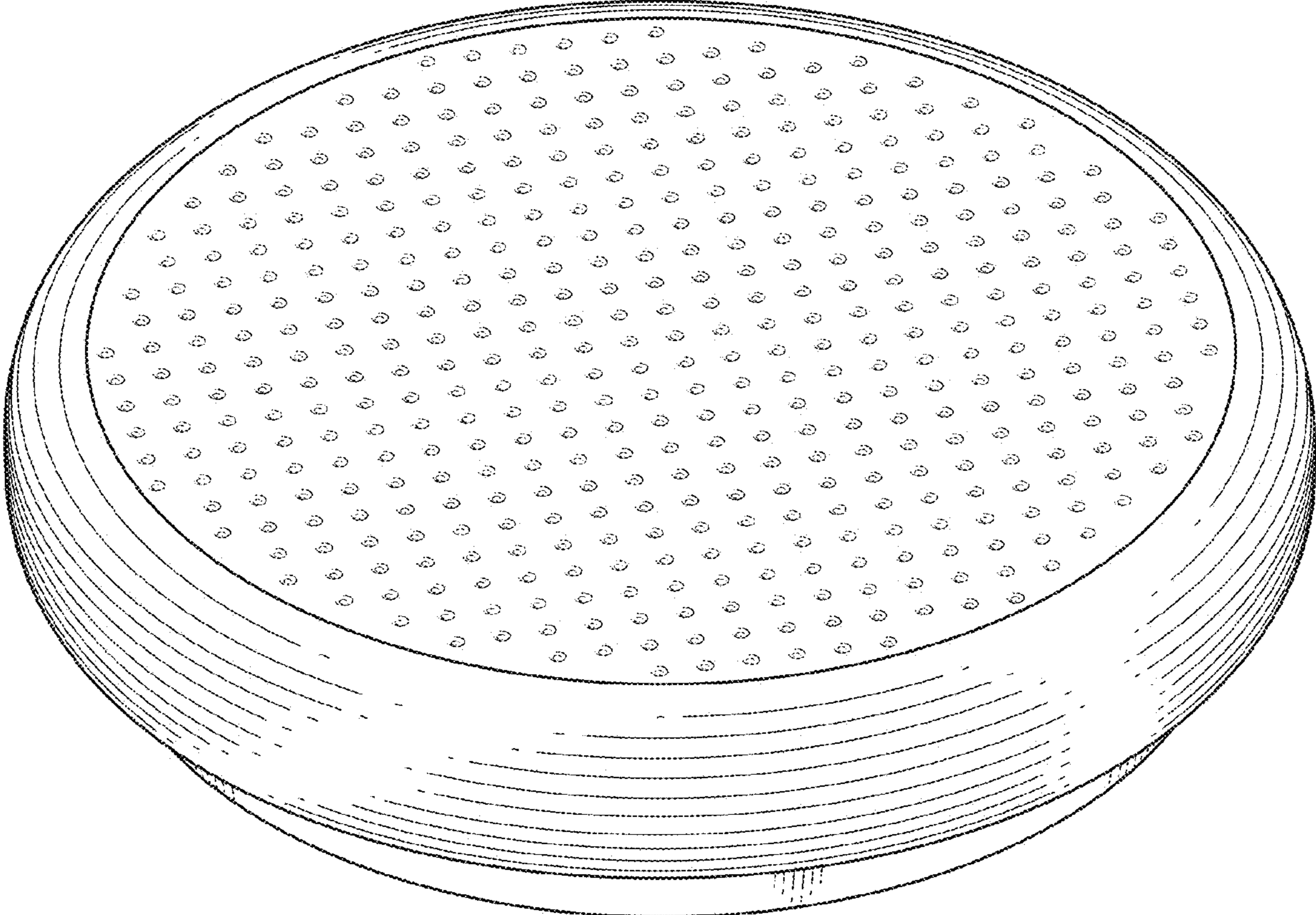


FIG. 1

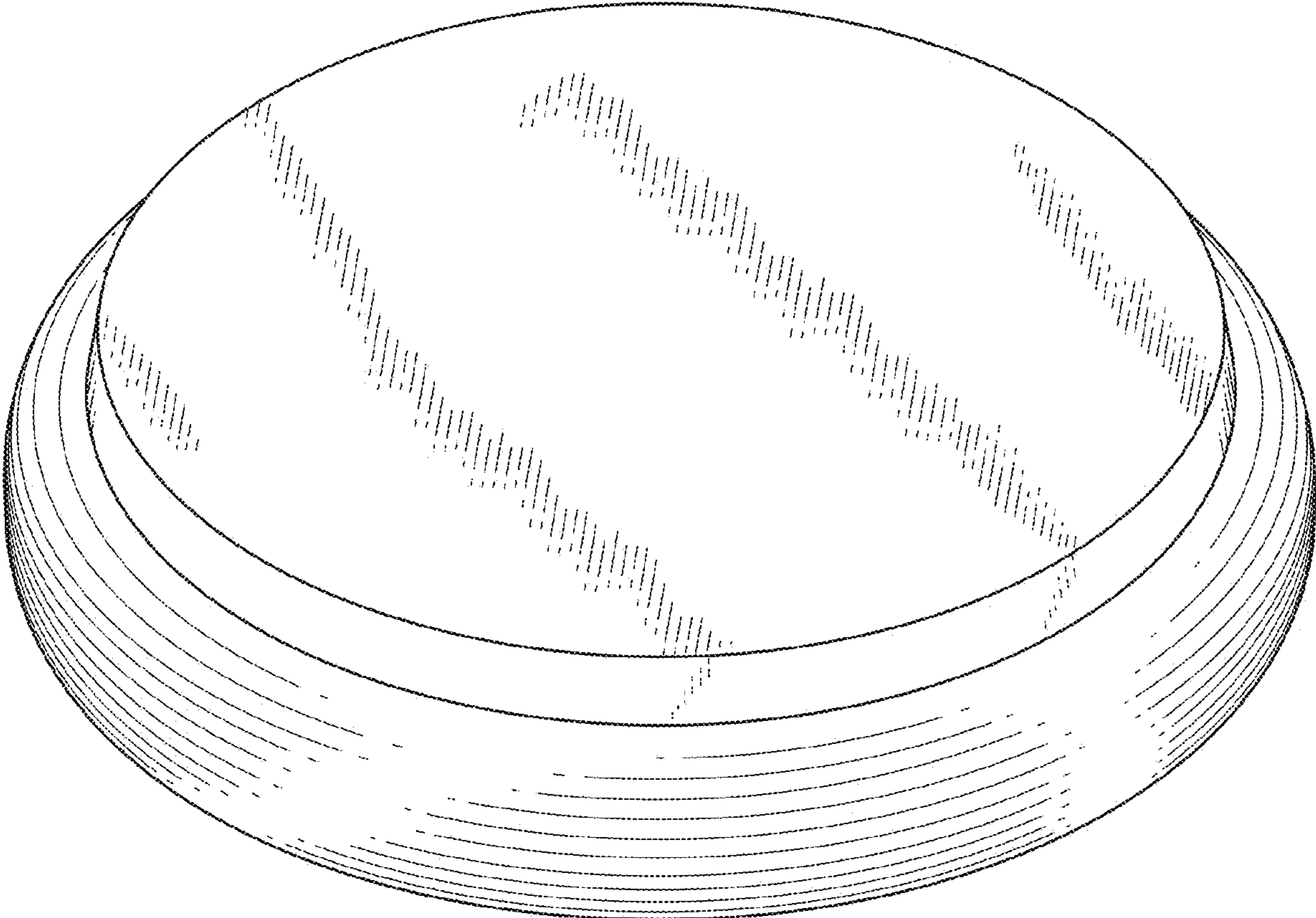


FIG. 2

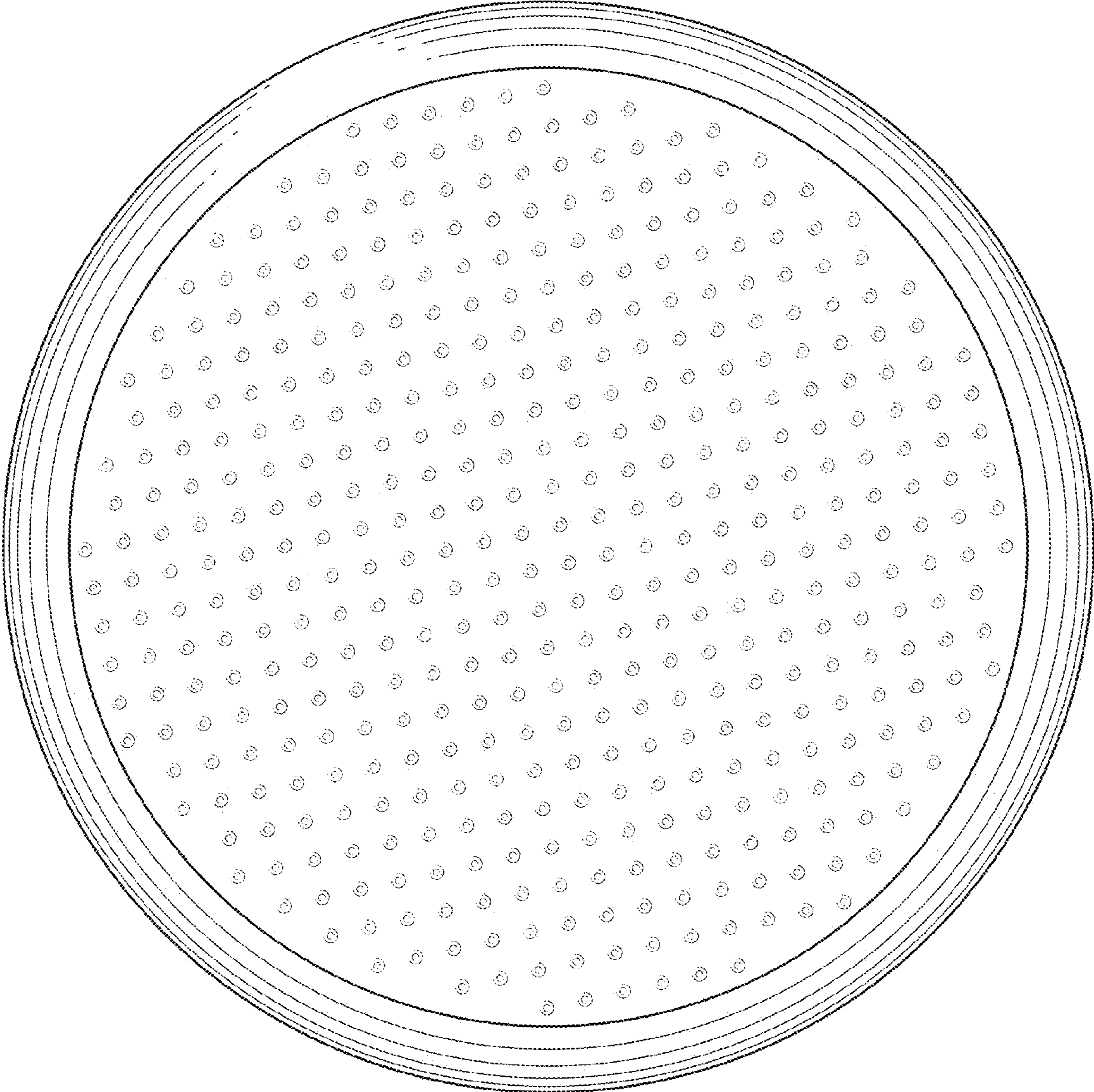


FIG. 3

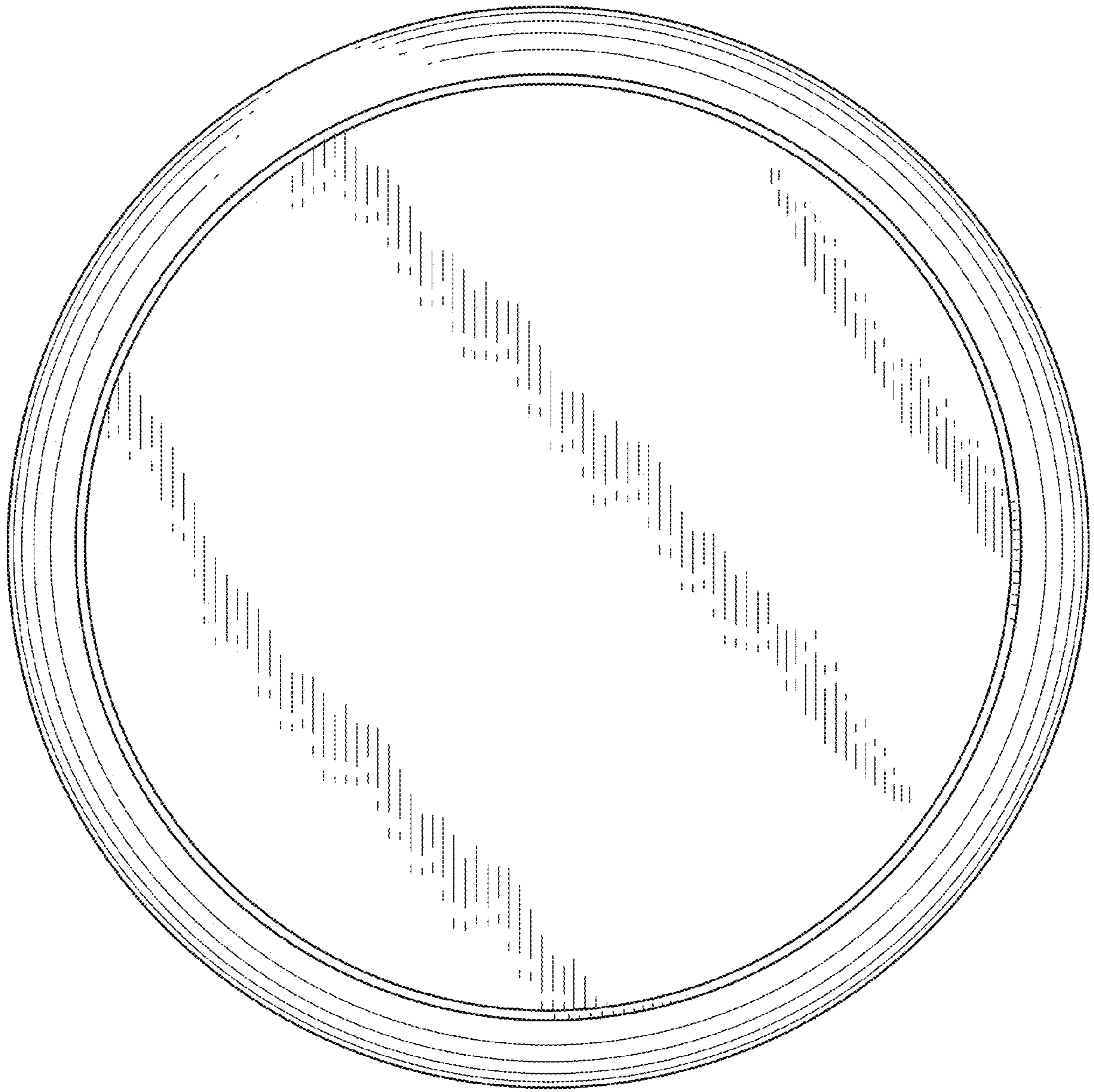


FIG. 4

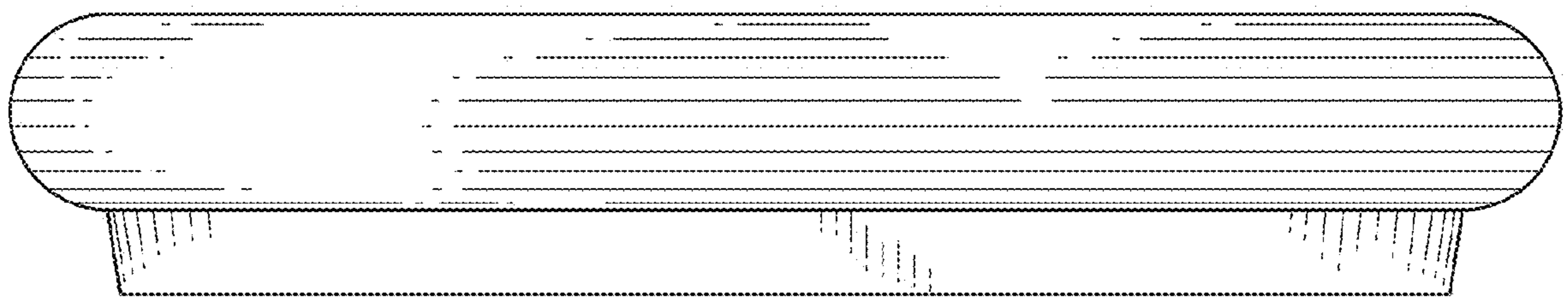


FIG. 5