



US00D975950S

(12) **United States Design Patent**
Staaecker

(10) **Patent No.:** **US D975,950 S**
(45) **Date of Patent:** **** Jan. 17, 2023**

- (54) **PAINT ROLLER TRAY**
- (71) Applicant: **Albert Staaecker**, Lakewood, OH
(US)
- (72) Inventor: **Albert Staaecker**, Lakewood, OH
(US)
- (**) Term: **15 Years**
- (21) Appl. No.: **29/828,159**
- (22) Filed: **Feb. 24, 2022**
- (51) **LOC (14) Cl.** **07-05**
- (52) **U.S. Cl.**
USPC **D32/53.1**
- (58) **Field of Classification Search**
USPC D32/53, 53.1, 54
CPC B65D 25/2829; B44D 3/121; B44D 3/123;
B44D 3/128; B44D 3/12; B44D 3/126;
B44D 3/127
See application file for complete search history.

- 5,297,695 A * 3/1994 Provence B44D 3/123
220/23.83
- 5,493,751 A * 2/1996 Misiukowiec E06C 7/146
D32/53.1
- 5,553,348 A * 9/1996 Brandenburger B44D 3/126
220/570
- 5,836,043 A * 11/1998 Rovas B44D 3/126
D32/53.1

(Continued)

OTHER PUBLICATIONS

UNi-PRO.com 160mm Paint Caddie Roller Tray <https://www.unipro.com.au/products/application/trays-paint-buckets/paint-trays/uni-pro-paint-caddie-roller-tray/> (Year: 2022).*

(Continued)

Primary Examiner — Kevin K Rudzinski
Assistant Examiner — Richard E Yanchesky
(74) *Attorney, Agent, or Firm* — Sean Mellino

(57) **CLAIM**

The ornamental design for a paint roller tray, as shown and described.

DESCRIPTION

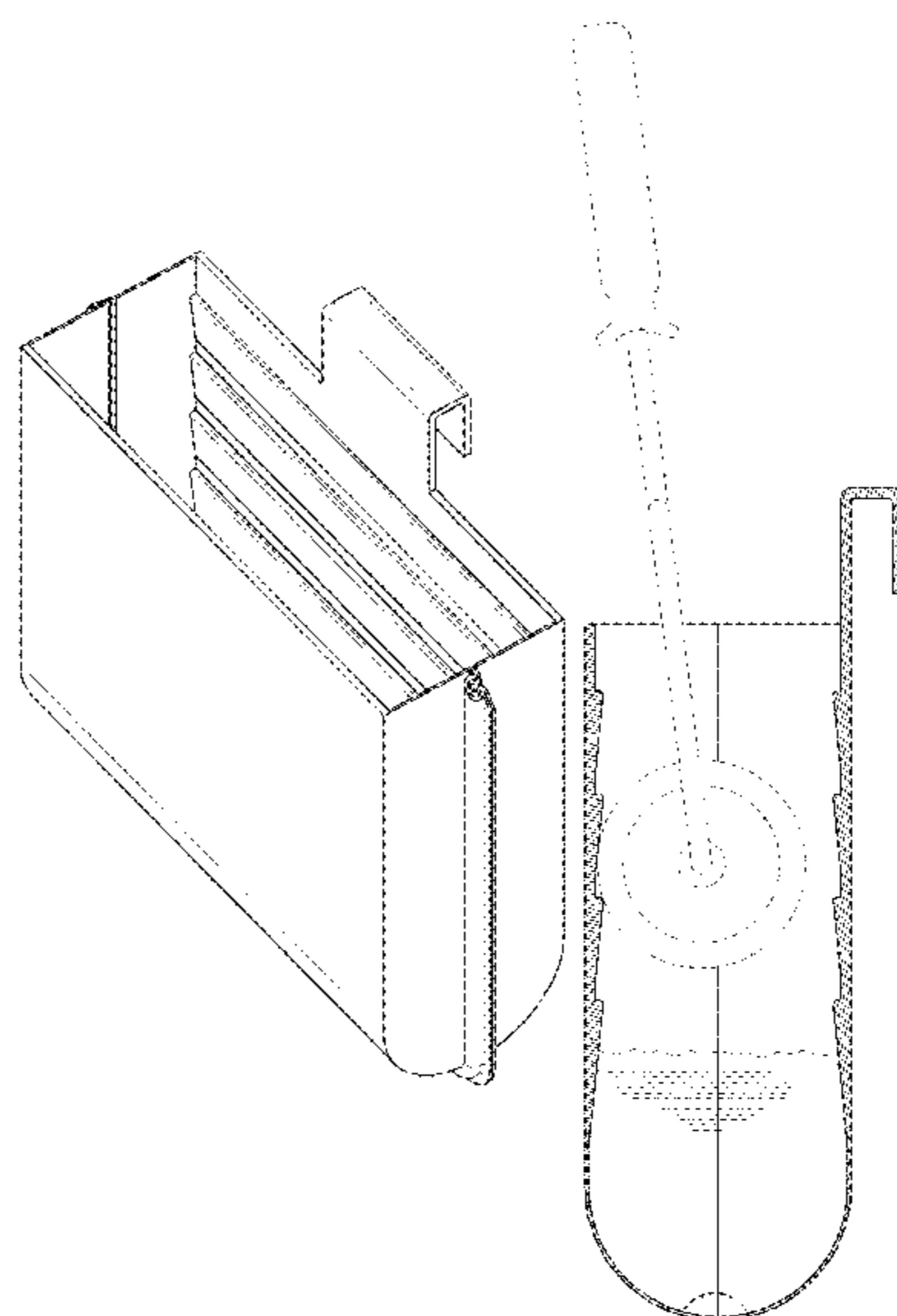
FIG. 1 is a top perspective view of a paint roller tray according to the present invention;
FIG. 2 is a cross-sectional perspective view of the paint roller tray as shown in FIG. 1 bisected along the longitudinal axis;
FIG. 3 is an exploded perspective view of a paint roller tray as shown in FIG. 1, the front and rear portions being separated and it being understood that the interior surface of each side is identical;
FIG. 4 is a side view of a paint roller tray bisected along the longitudinal axis; and,
FIG. 5 is an enlarged view thereof taken from FIG. 4.
The broken lines are for the purpose of showing environment, and form no part of the claimed design.

1 Claim, 3 Drawing Sheets

(56) **References Cited**

U.S. PATENT DOCUMENTS

- 1,008,856 A * 11/1911 Mosher A45D 33/006
401/121
- 1,451,984 A * 4/1923 Jordan B27G 11/02
206/229
- 2,402,346 A * 6/1946 Rosenlund B41L 27/04
222/457
- D157,213 S * 2/1950 Stevens D32/53.1
- 2,759,620 A * 8/1956 Pharris B44D 3/126
217/60 B
- 2,908,468 A * 10/1959 Thomas E06C 7/14
220/756
- D223,302 S * 4/1972 Golden D32/53.1
- 3,707,242 A * 12/1972 Golden E06C 7/14
220/570
- D248,335 S * 6/1978 Cooke D32/53.1
- 4,297,762 A * 11/1981 Crysdale B44D 3/126
222/424.5



(56)

References Cited

U.S. PATENT DOCUMENTS

6,622,340	B2 *	9/2003	Rosa	B05C 17/0245 220/570
D688,044	S *	8/2013	Brunner	D3/304
D694,976	S *	12/2013	Lambertson, Jr.	D32/53
10,399,378	B1 *	9/2019	Mitchell	B44D 3/123
10,731,415	B2 *	8/2020	Desjardine	E06C 7/14
2009/0019659	A1 *	1/2009	Hill	B44D 3/123 220/570
2022/0110438	A1 *	4/2022	Iverson	A45F 5/021

OTHER PUBLICATIONS

amazon.com, Inc. Sales Listing for “Little Giant Ladders, Fuel Tank, Paint Roller Tray, Ladder Accessory, Plastic, (15050-001),” retrieved from the Internet on Feb. 17, 2022 at: <https://www.amazon.com/Little-Giant-15050-001-Ladder-Accessory/dp/B0046LVFY4>.
 bahamas.desertcart.com. Sales Listing for “SureStep Ladder Paint Tray Holder (Fits all size of Aluminium Ladders) No Tools Required,”

retrieved from the Internet on Feb. 17, 2022 at: <https://bahamas.desertcart.com/products/73120559-surestep-ladder-paint-tray-holder-fits-all-size-of-aluminium-ladders-no-tools-required>.
 Fox, Matt. “Good Advice When Working With Ladders,” retrieved from the Internet on Feb. 17, 2022 at: <http://mattandshari.com/how-to/paint-and-paper/good-advice-when-working-with-ladders/>.
 Lowes Companies, Inc. Sales Listing for “Core Gear Paint Tray,” retrieved from the Internet on Feb. 17, 2022 at: <https://www.lowes.com/pd/Core-Gear-15-in-x-12-in-Paint-Tray/1000262057>.
 Lowes Companies, Inc. Sales Listing for “Project Source Disposable Paint Tray,” retrieved from the Internet on Feb. 17, 2022 at: https://www.lowes.com/pd/Blue-Hawk-Disposable-Paint-Tray/3772875?cm_mmc=shp_-_c_-_prd_-_pnt_-_ggl_-_LIA_PNT_222_Applicators-Tape-Tools-Sprayers_-_3772875_-_0_-_0_-_0&ds_rl=1286981&gclid=CjwKCAiAvriMBhAuEiwA8Cs5IYgFZRuEBiZcYVVPCmCH5FqYICPI1F34KpFxmRW6o_RN4aMw3vvaSBoCwg8QAvD_BwE&gclsrc=aw.ds.
 planitdiy.com. “DIY Frequently Asked Questions: Lader Paint Tray,” retrieved from the Internet on Feb. 17, 2022 at: <http://www.planitdiy.com/faqs/ladder-paint-tray/>.

* cited by examiner

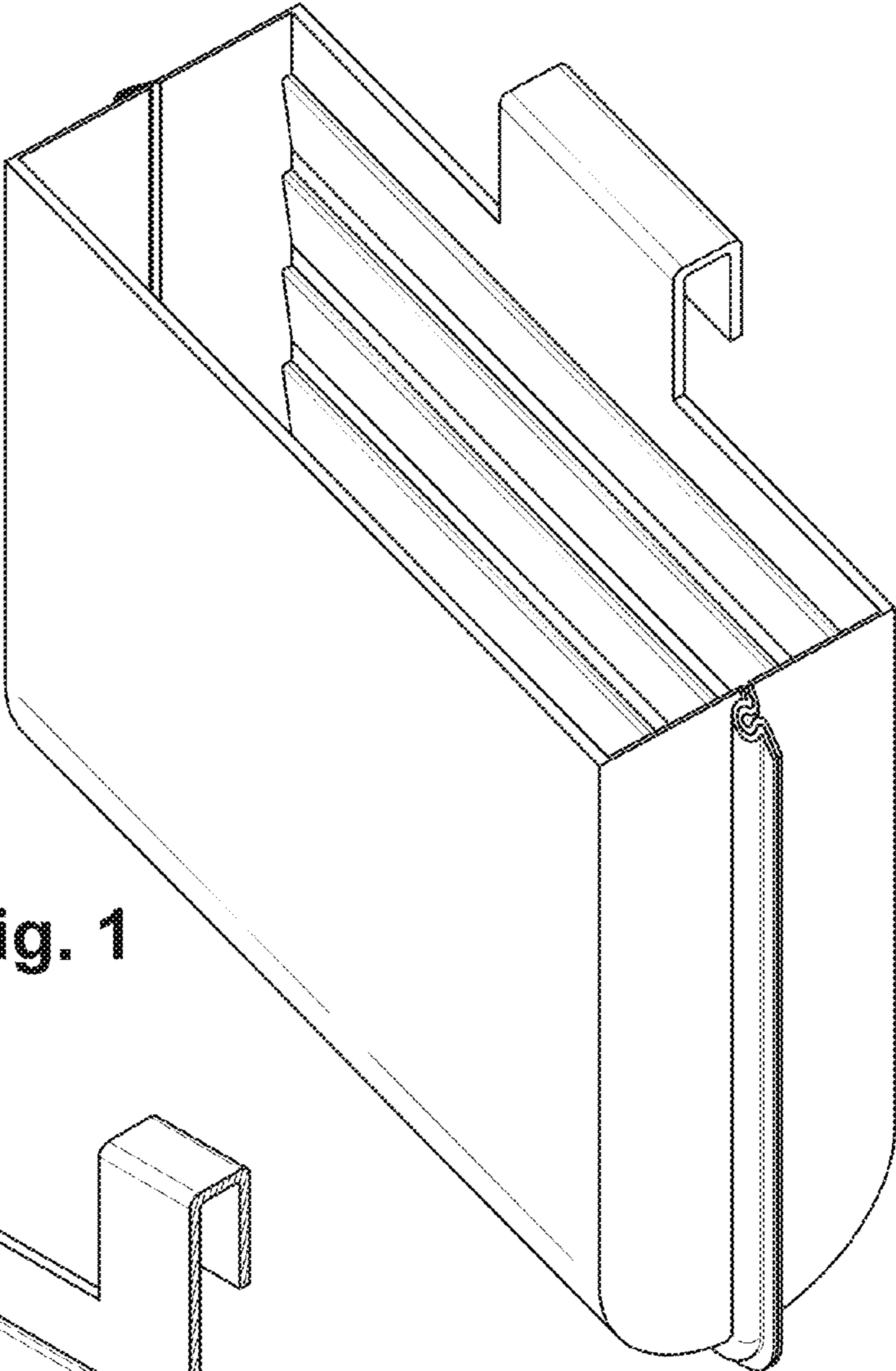


Fig. 1

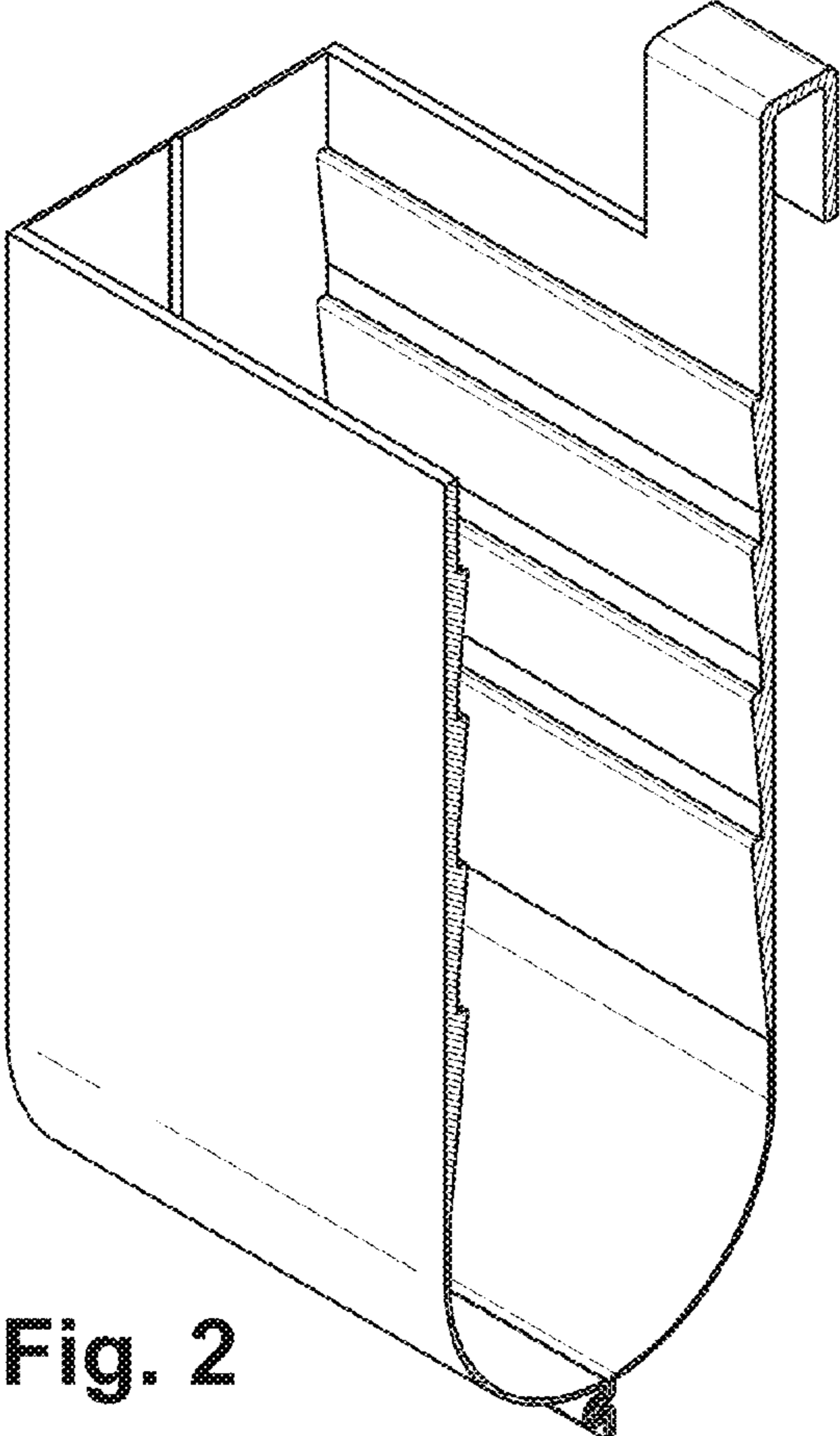


Fig. 2

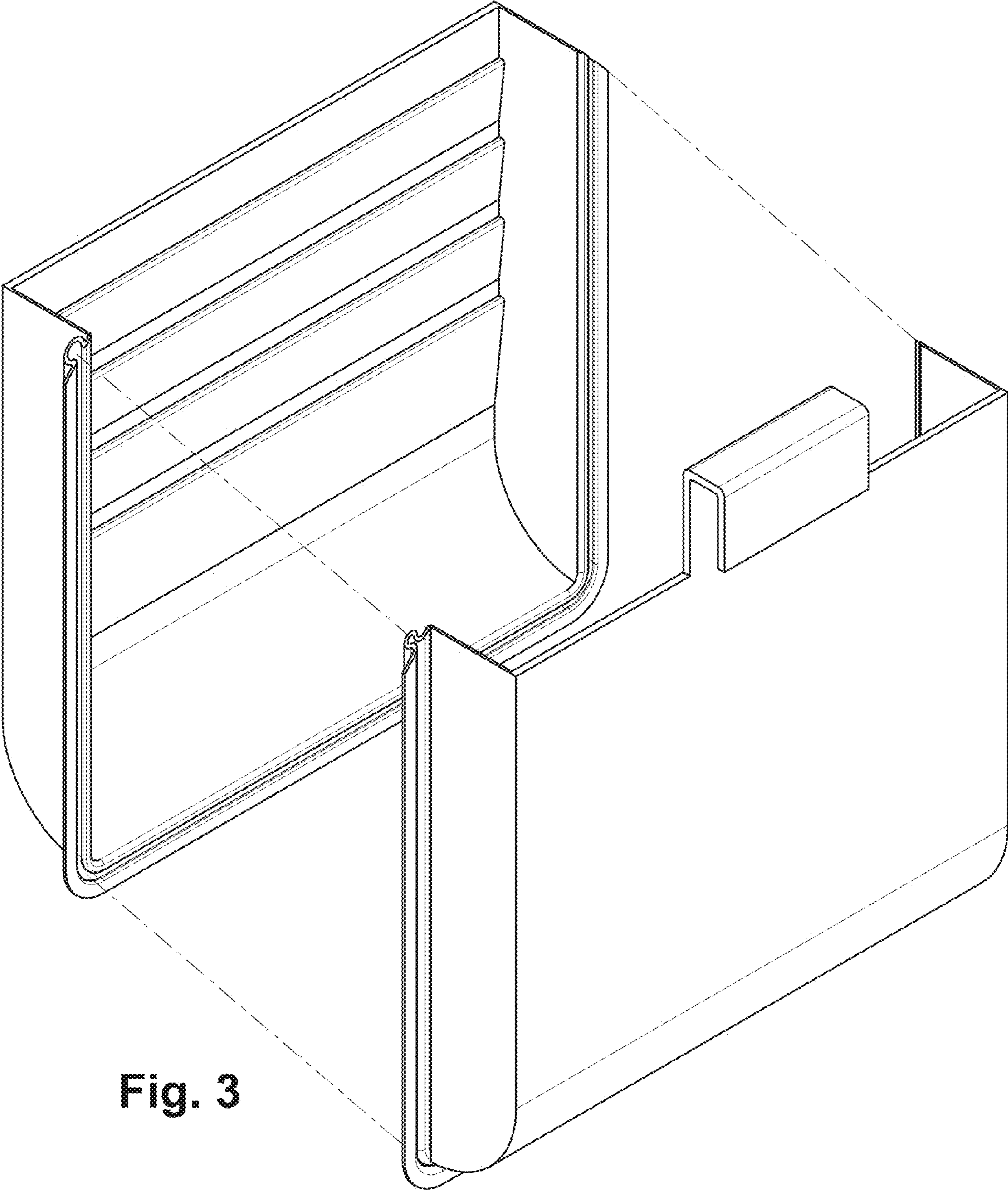


Fig. 3

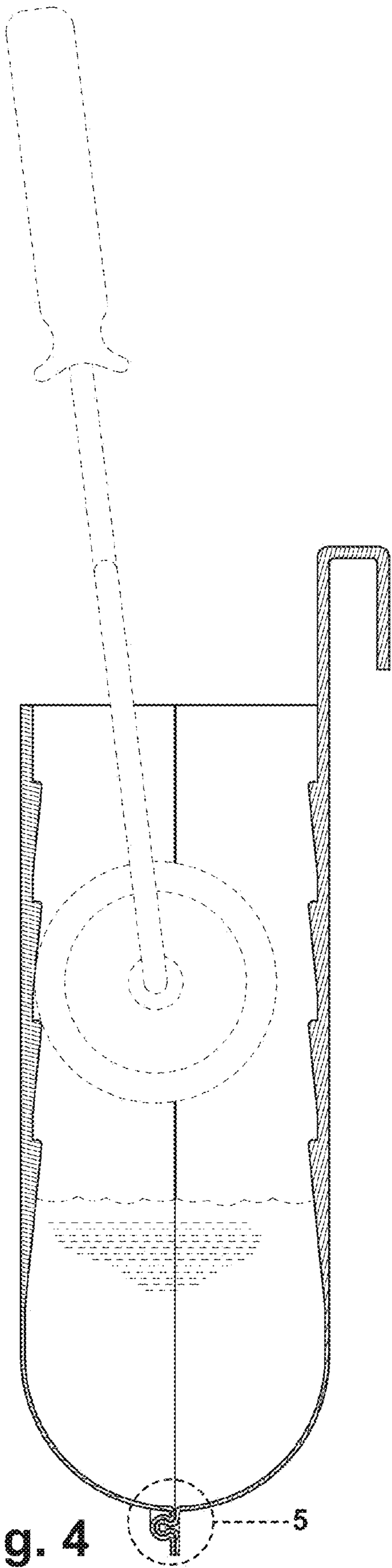


Fig. 4

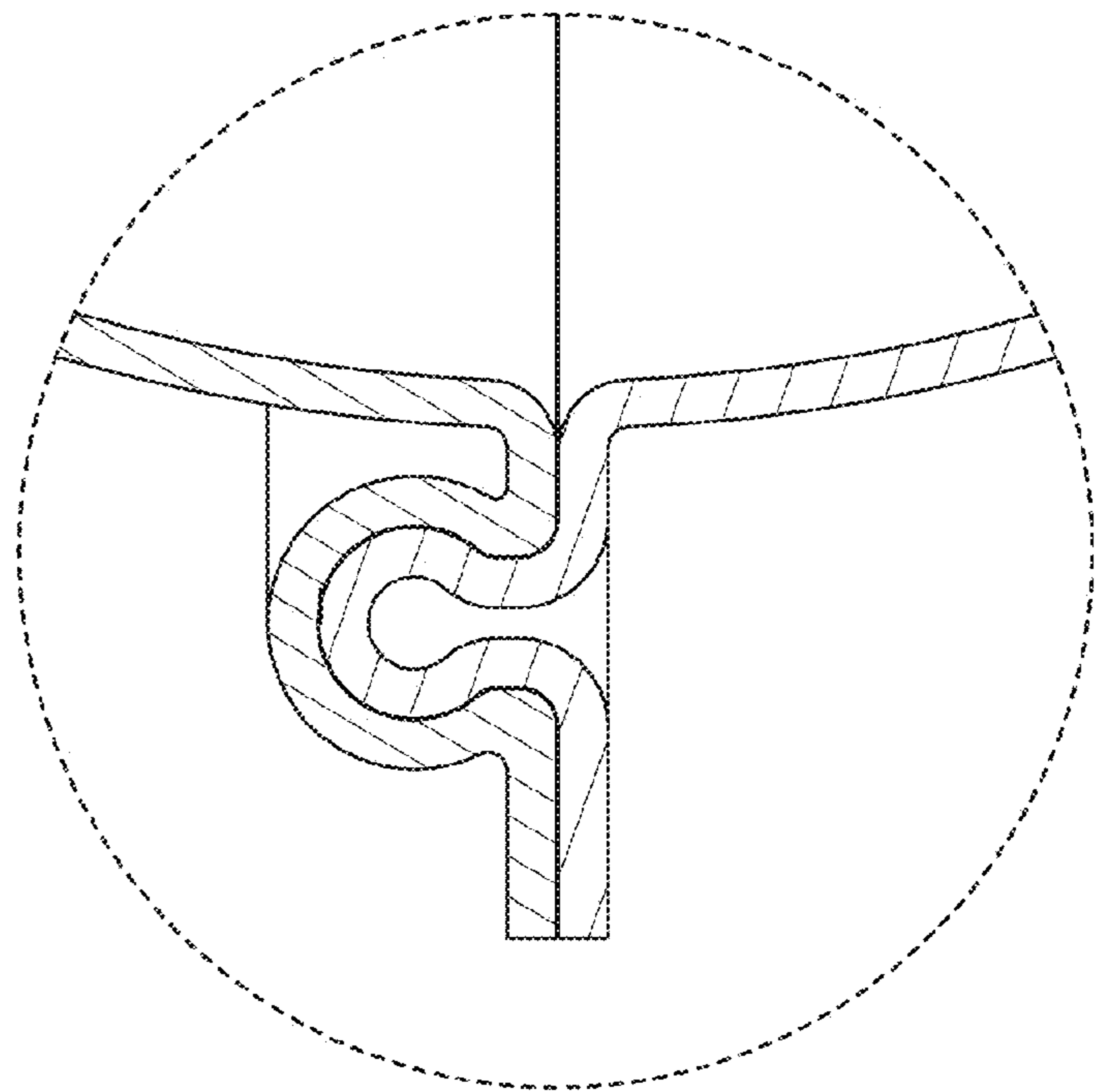


Fig. 5