



US00D975949S

(12) **United States Design Patent**
Luce

(10) **Patent No.:** **US D975,949 S**
(45) **Date of Patent:** **** Jan. 17, 2023**

- (54) **SCRUBBING HANDLE**
- (71) Applicant: **Far East Brokers And Consultants, Inc.**, Jacksonville, FL (US)
- (72) Inventor: **David Alan Luce**, St. Augustine, FL (US)
- (**) Term: **15 Years**
- (21) Appl. No.: **29/738,889**
- (22) Filed: **Jun. 20, 2020**
- (51) **LOC (14) Cl.** **15-05**
- (52) **U.S. Cl.**
USPC **D32/34**
- (58) **Field of Classification Search**
USPC D7/678; D8/14, 90; D32/24, 35, 40-43, D32/52, 69, 72, 34
CPC A47L 1/02; A47L 1/04; A47L 1/06; A47L 11/38; A47L 11/45; A47L 11/90
See application file for complete search history.

- D504,601 S * 5/2005 Jimenez D8/45
- D505,268 S * 5/2005 Potempa D4/138
- D508,952 S * 8/2005 Brown D32/52
- D620,215 S * 7/2010 Peng D4/137
- D665,638 S * 8/2012 Krohmer D8/14
- D690,115 S * 9/2013 Zemel D4/138
- D804,921 S * 12/2017 Neubauer D8/14
- D841,914 S * 2/2019 Cira D32/42

(Continued)

OTHER PUBLICATIONS

webstaurant.com Scotchbrick griddle scrubber <https://www.webstaurantstore.com/3m-9537-scotch-brite-scotchbrick-4-x-6-griddle-scrubber/3999537.html> (Year: 2016).*

(Continued)

Primary Examiner — Kevin K Rudzinski
Assistant Examiner — Richard E Yenchesky
(74) *Attorney, Agent, or Firm* — Camille A. Wilson; Wilson Dutra, PLLC

(57) **CLAIM**

The ornamental design for a scrubbing handle, as shown and described.

DESCRIPTION

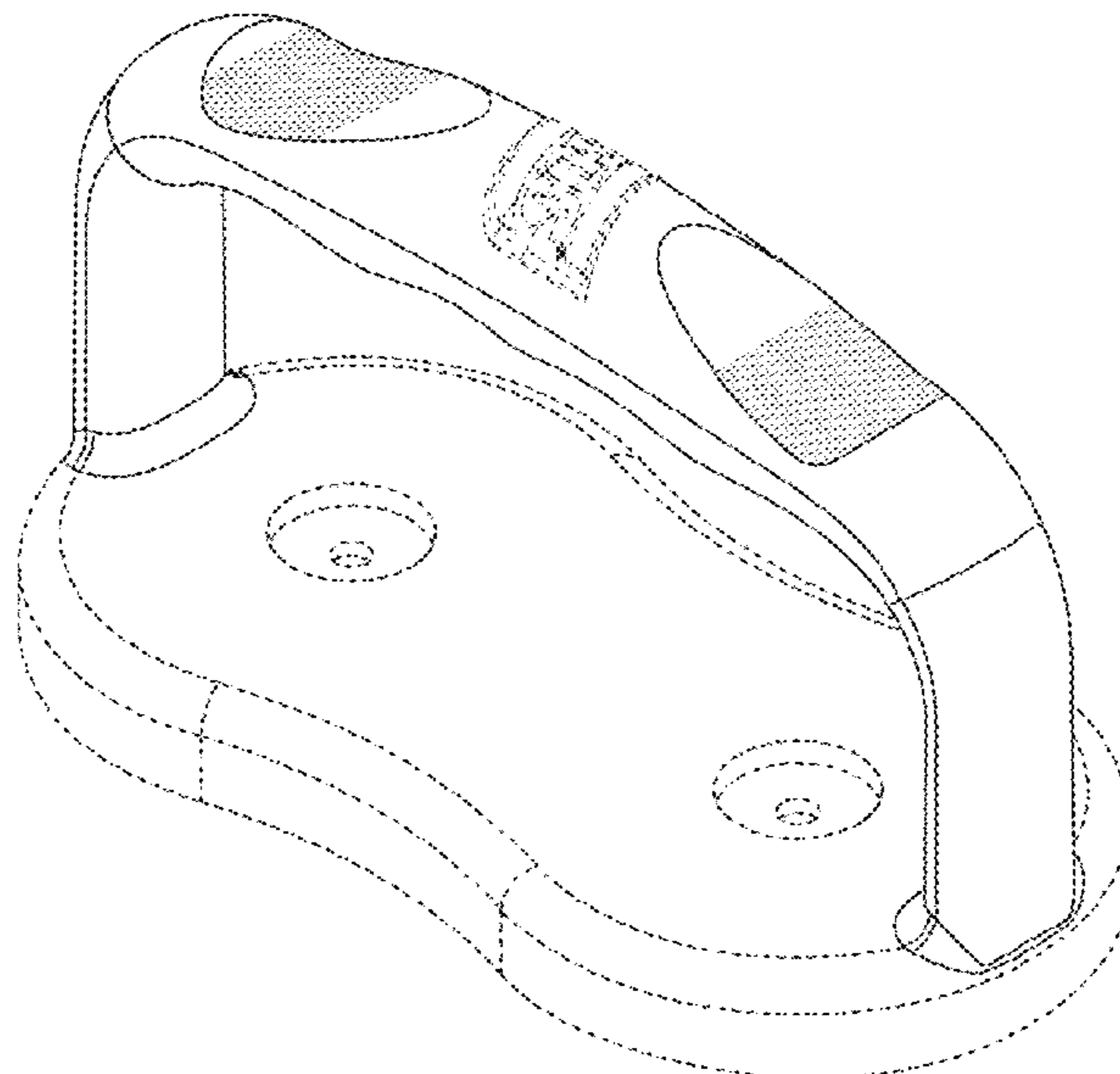
FIG. 1 is a left side view of a scrubbing handle in accordance with the present invention;
FIG. 2 is a front view of the scrubbing handle;
FIG. 3 is a top down view of the scrubbing handle;
FIG. 4 is a bottom up view of the scrubbing handle; and,
FIG. 5 is a front isometric view of the scrubbing handle.
The broken lines are included for the purpose of illustrating portions of the scrubbing handle that form no part of the claimed design. The broken lines that depict lettering and line designs within the bounds of the continuous scrubbing handle are for illustrative purposes only. None of the broken lines form a part of the claimed design.

1 Claim, 5 Drawing Sheets

(56) **References Cited**

U.S. PATENT DOCUMENTS

- 1,509,807 A * 9/1924 Gray E04F 21/06 15/235.4
- 1,825,080 A * 9/1931 Morford E04F 21/06 15/235.4
- 3,010,133 A * 11/1961 Hurd E04F 21/06 15/235.4
- D216,668 S * 3/1970 Tims D8/45
- D228,339 S * 9/1973 Zemke D7/394
- 4,071,983 A * 2/1978 Thielen A47L 13/46 15/229.13
- D269,387 S * 6/1983 McClelland D32/52
- D310,012 S * 8/1990 Henke D8/90
- D392,079 S * 3/1998 Omerza D32/40
- D437,691 S * 2/2001 Weiss D4/129
- D453,672 S * 2/2002 McCoy D8/90
- D462,597 S * 9/2002 Deshler D8/90
- D474,389 S * 5/2003 Panfili D8/90



(56)

References Cited

U.S. PATENT DOCUMENTS

D841,915 S * 2/2019 Cira D32/42
D841,916 S * 2/2019 Cira D32/42
D914,474 S * 3/2021 Hall D8/14
D920,753 S * 6/2021 Liao D8/14
2022/0007903 A1* 1/2022 Chao A47L 11/38

OTHER PUBLICATIONS

Amazon.co.uk Plastic Scrubbing Brush https://www.amazon.co.uk/Plastic-Scrubbing-Brush-Effect-Handle/dp/B0017RMJ2C/ref=sr_1_150?crid=8NODC3XXLYS5&keywords=scrubbing+handle&qid=1658852934&prefix=scrubbing+handle%2Caps%2C199&sr=8-150 (Year: 2008).*

* cited by examiner

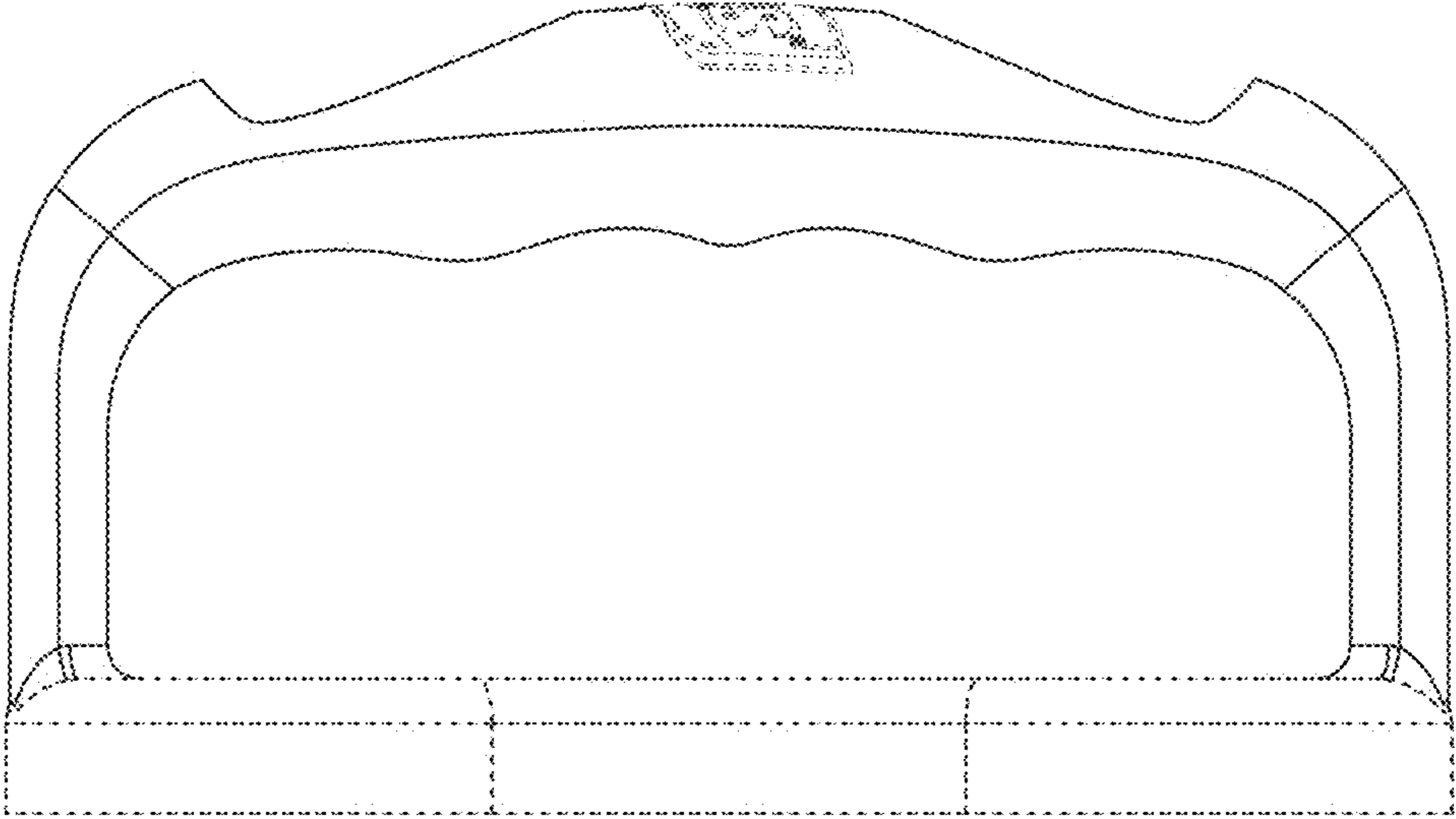


FIG. 1

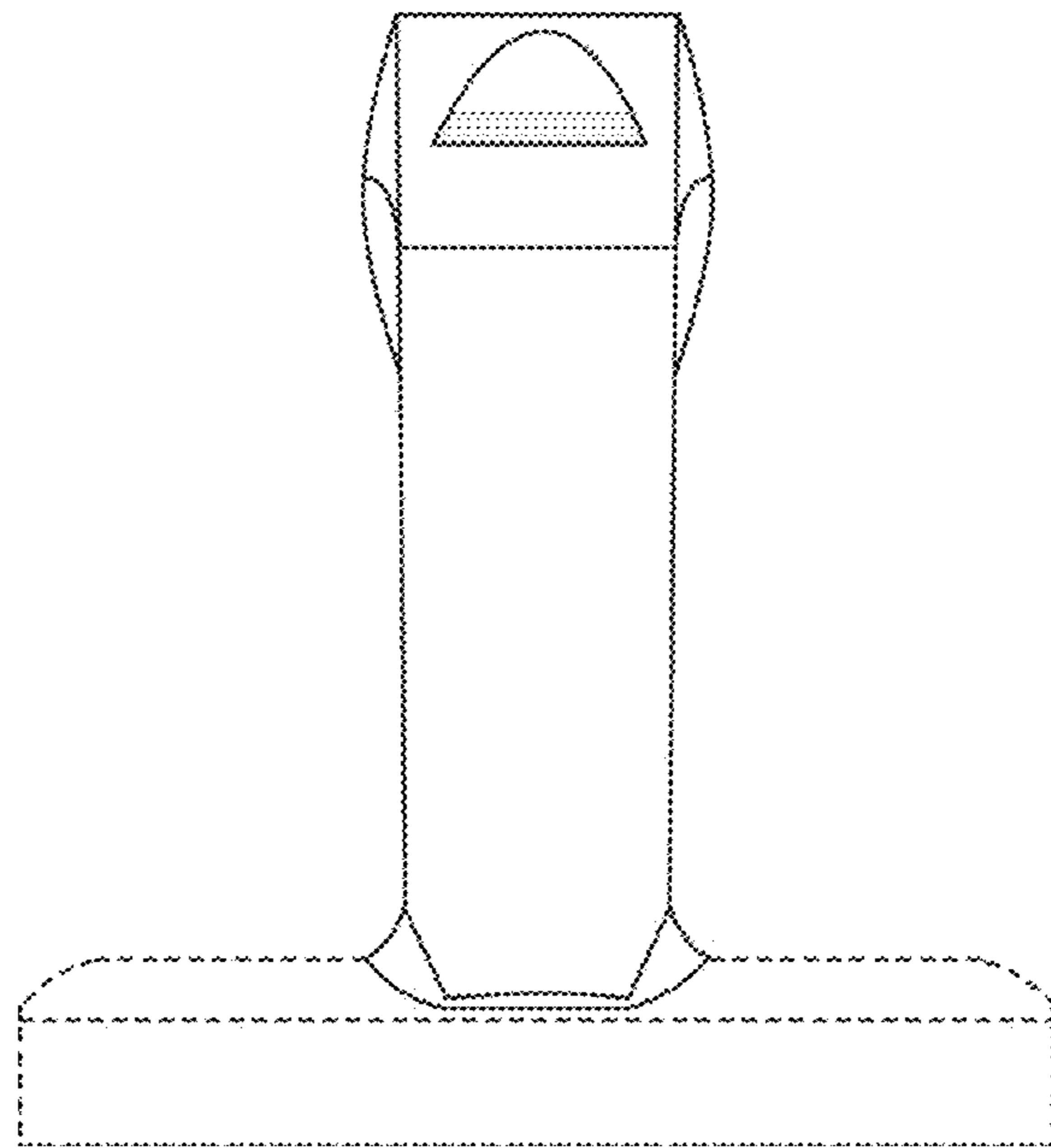


FIG. 2

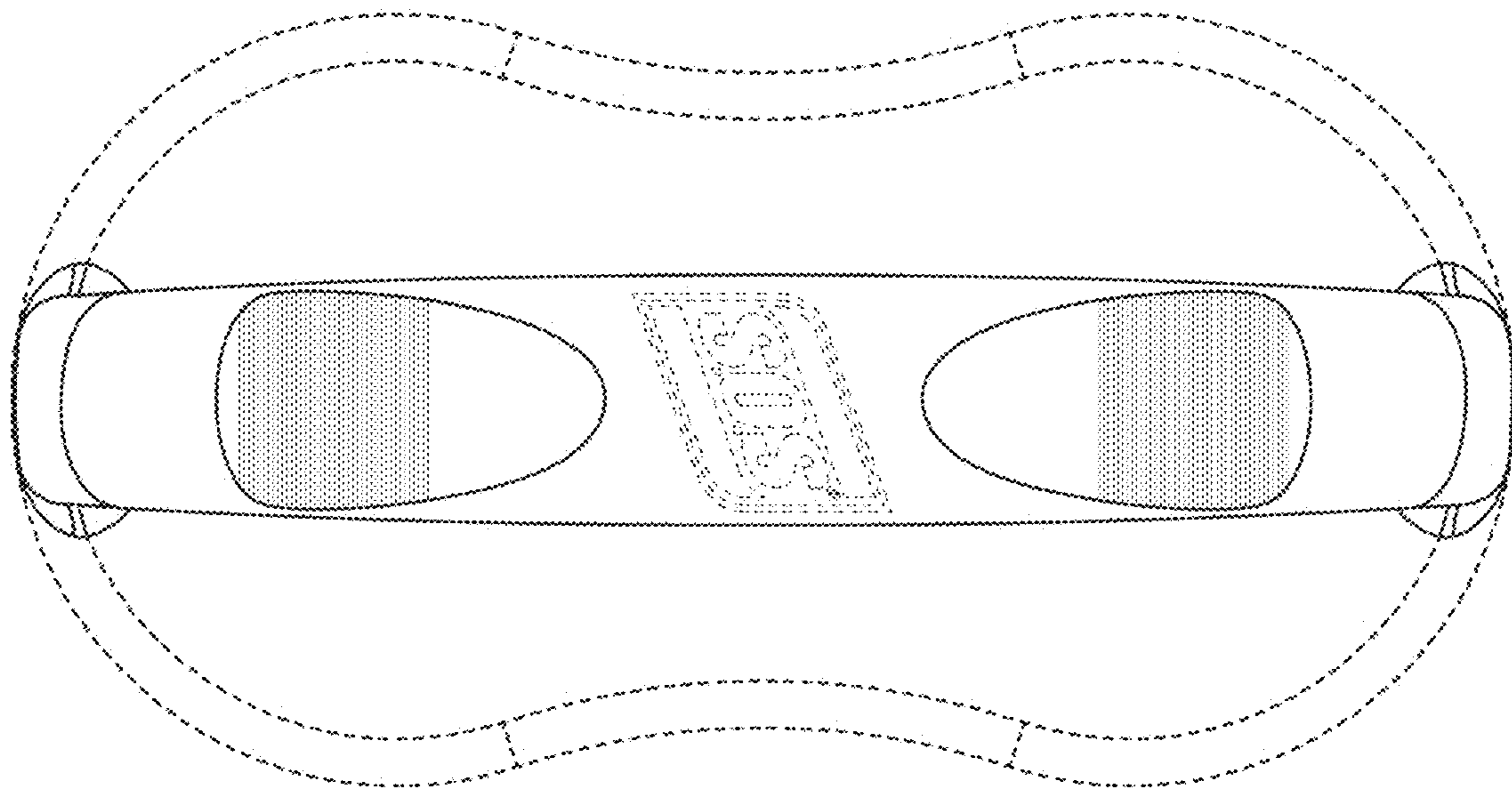


FIG. 3

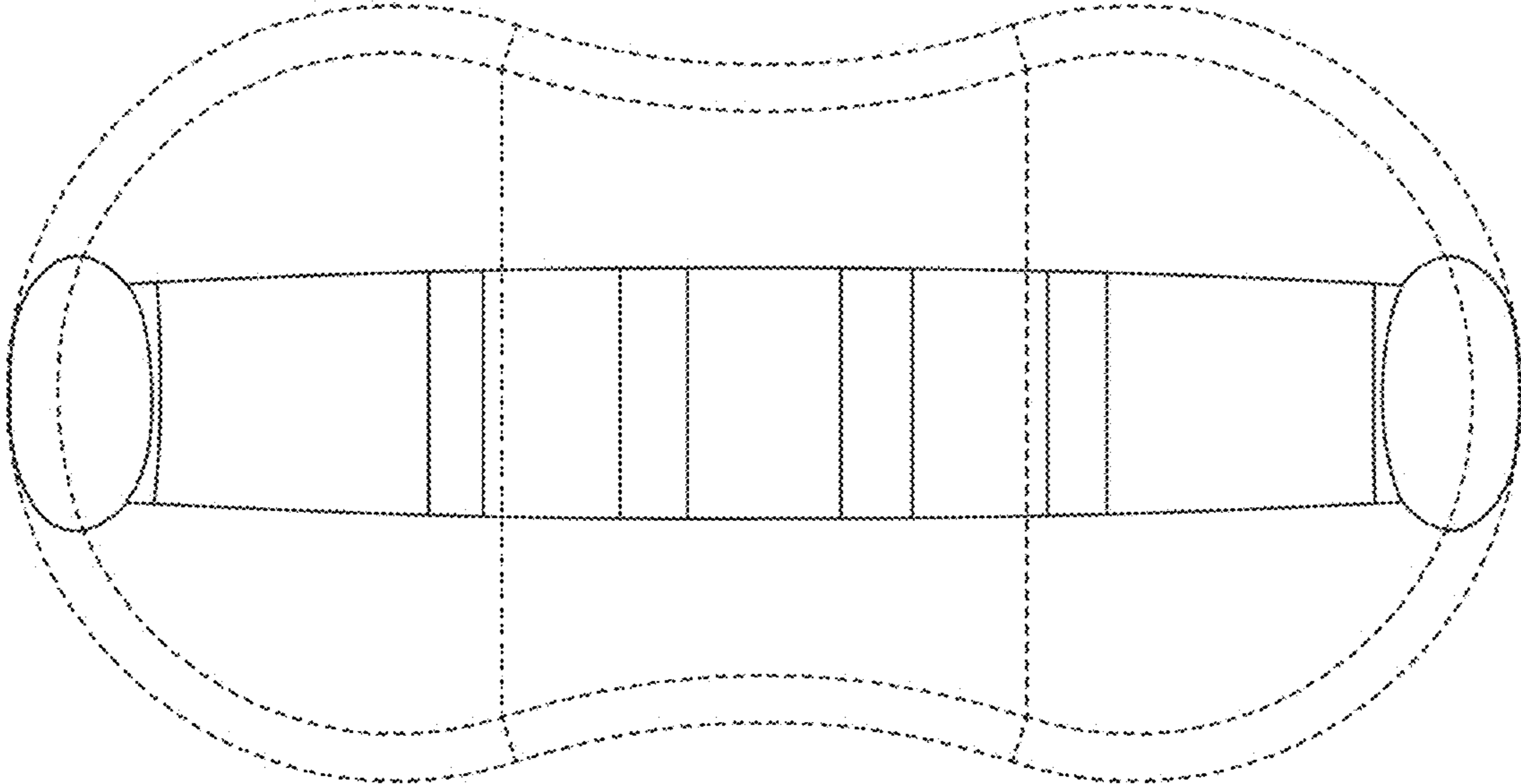


FIG. 4

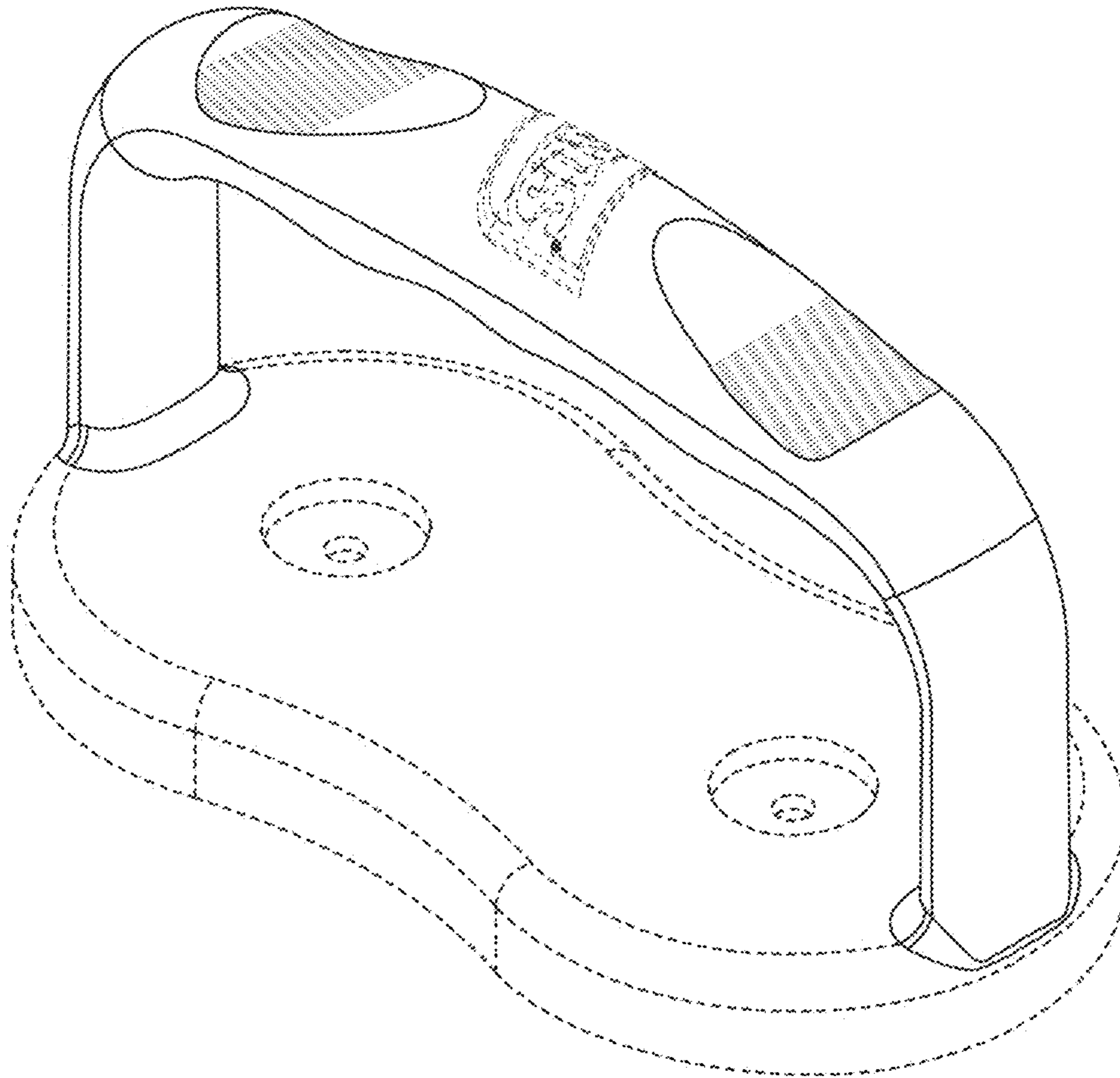


FIG. 5