



US00D975948S

(12) **United States Design Patent**
Kamrath

(10) **Patent No.:** **US D975,948 S**
(45) **Date of Patent:** **** Jan. 17, 2023**

(54) **VACUUM HOSE END**

(71) Applicant: **Rexair LLC**, Troy, MI (US)

(72) Inventor: **Robert R. Kamrath**, Grand Rapids, MI (US)

(73) Assignee: **REXAIR LLC**, Troy, MI (US)

(**) Term: **15 Years**

(21) Appl. No.: **29/733,776**

(22) Filed: **May 6, 2020**

Related U.S. Application Data

(63) Continuation-in-part of application No. 16/582,589, filed on Sep. 25, 2019, now Pat. No. 11,241,131.

(51) **LOC (14) Cl.** **15-05**

(52) **U.S. Cl.**
USPC **D32/31**

(58) **Field of Classification Search**
USPC D32/31, 32, 33, 34; D24/110, 110.5
(Continued)

(56) **References Cited**

U.S. PATENT DOCUMENTS

4,188,081 A * 2/1980 Holden H01R 13/005
439/192
4,385,790 A * 5/1983 Genoa A47L 9/2868
439/191

(Continued)

OTHER PUBLICATIONS

HZ2000 Hose Hibbert International <https://www.hibbert.ca/buy/product/hz2000-hose/1209?ID=/Hose/Portable-Vac-Replacement-Hoses/dept-2A7> (Year: 2022).*

(Continued)

Primary Examiner — Kevin K Rudzinski
Assistant Examiner — Richard E Yenchesky
(74) *Attorney, Agent, or Firm* — McDermott Will and Emery LLP

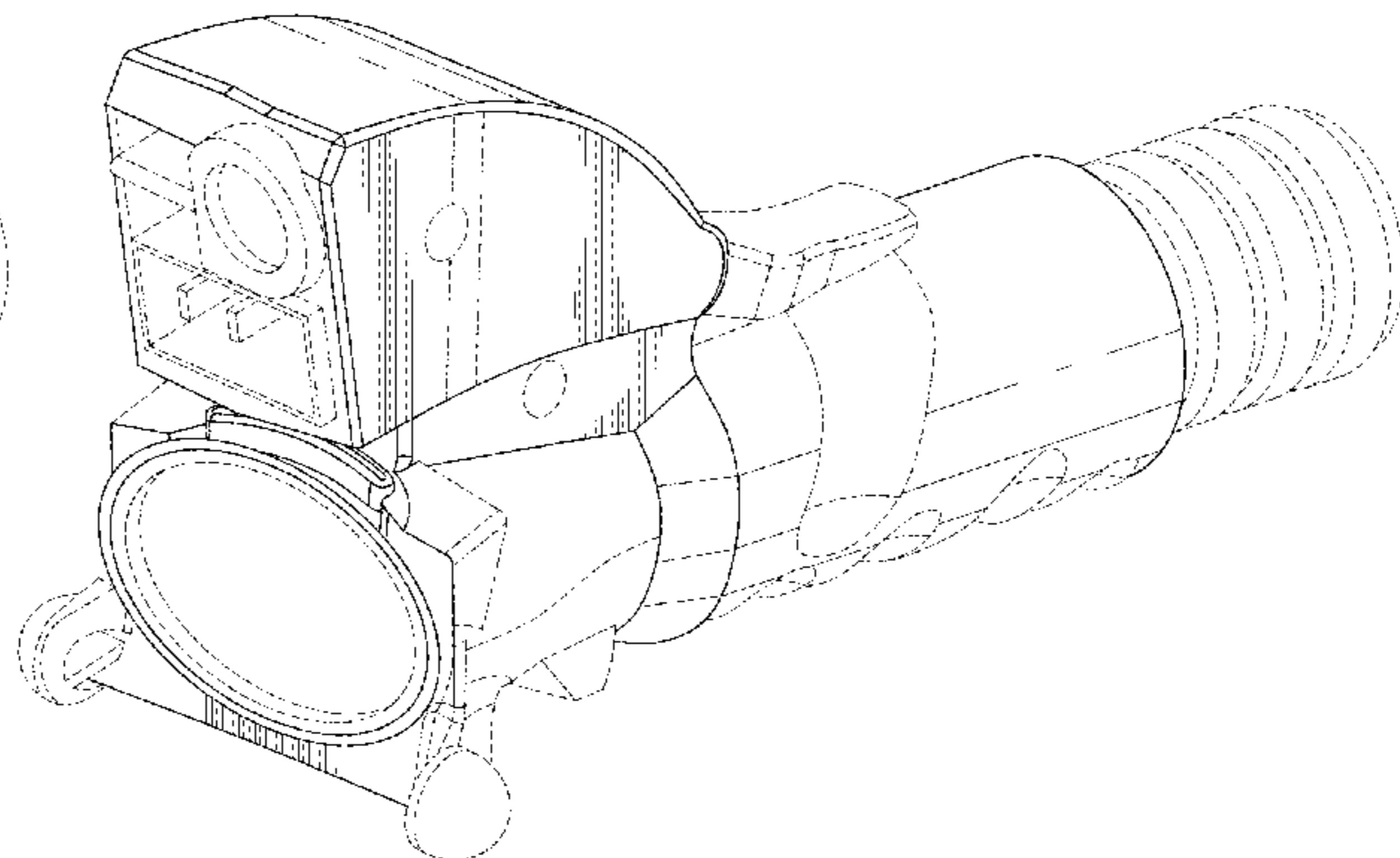
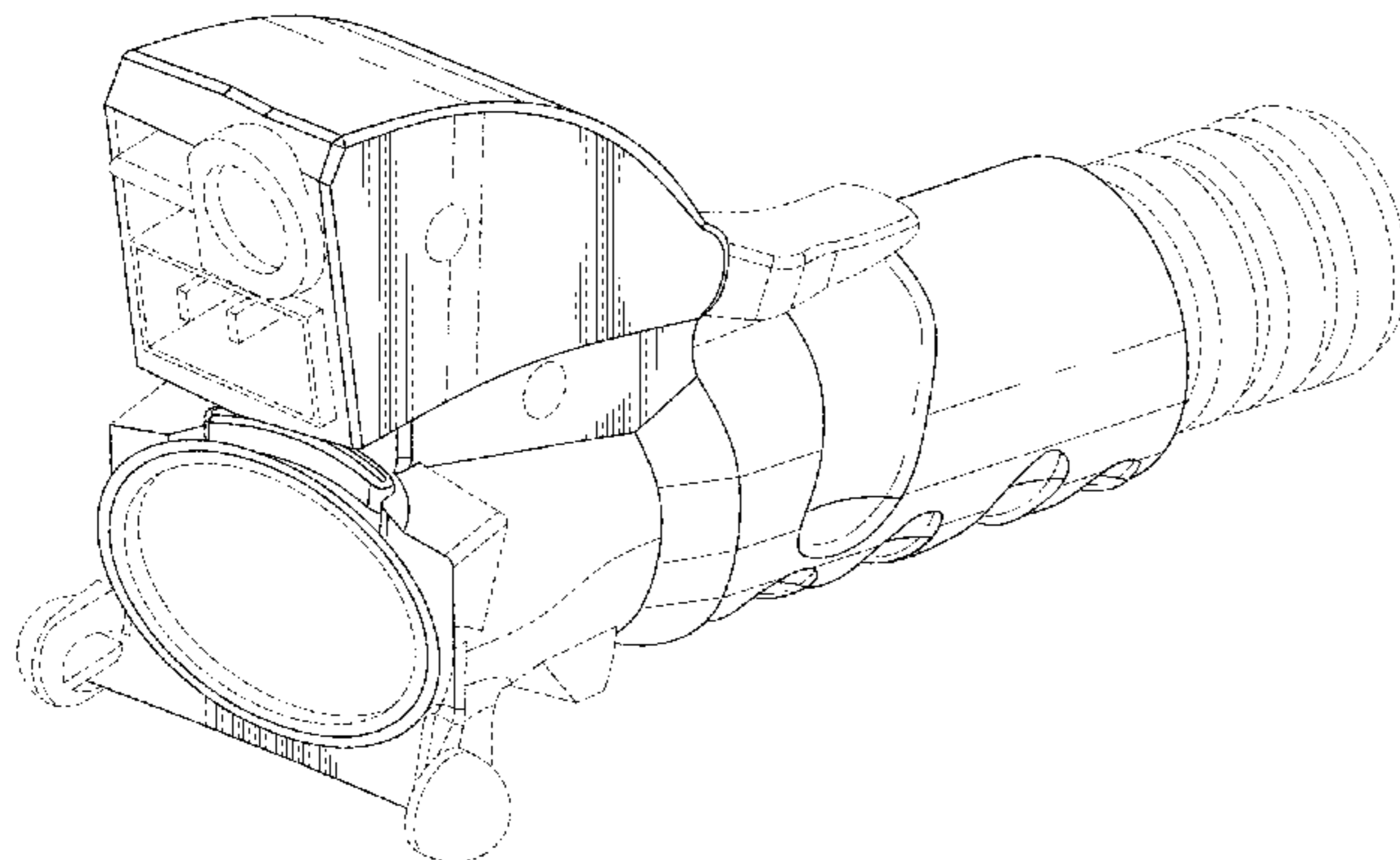
(57) **CLAIM**

The ornamental design for a vacuum hose end, as shown and described.

DESCRIPTION

FIG. 1 is a top perspective view of the design of the present disclosure;
FIG. 2 is a left side view of the design depicted in FIG. 1;
FIG. 3 is a right side view of the design depicted in FIG. 1;
FIG. 4 is a front view of the design depicted in FIG. 1;
FIG. 5 is a rear view of the design depicted in FIG. 1;
FIG. 6 is a top view of the design depicted in FIG. 1;
FIG. 7 is a bottom view of the design depicted in FIG. 1;
FIG. 8 is a top perspective view of an alternative design of the present disclosure;
FIG. 9 is a left side view of the design depicted in FIG. 8;
FIG. 10 is a right side view of the design depicted in FIG. 8;
FIG. 11 is a front view of the design depicted in FIG. 8;
FIG. 12 is a rear view of the design depicted in FIG. 8;
FIG. 13 is a top view of the design depicted in FIG. 8; and,
FIG. 14 is a bottom view of the design depicted in FIG. 8.
Those portions of the present invention which are presented in phantom illustrate the environment of the design only and form no part of the claimed design. Moreover, the shading presented in the accompanying drawings is provided merely to highlight the contour of the invention and is not intended to be illustrative of texture or gloss.

1 Claim, 12 Drawing Sheets



(58) **Field of Classification Search**

CPC H01R 13/005; A47L 9/242; A47L 9/246;
 A47L 9/2868; A47L 5/38; A47L 5/36;
 A47L 5/362; A47L 5/365

See application file for complete search history.

(56) **References Cited**

U.S. PATENT DOCUMENTS

D275,333 S * 8/1984 Williams D32/31
 4,639,055 A * 1/1987 Keane H01R 13/005
 439/192
 D314,848 S * 2/1991 Foldes D32/31
 RE34,325 E * 7/1993 Rau A47L 9/242
 15/327.2
 5,387,117 A * 2/1995 Moyher, Jr. A47L 9/246
 15/314
 5,815,883 A * 10/1998 Stein A47L 9/32
 15/377
 6,370,730 B1 * 4/2002 Young A47L 9/242
 15/327.1
 6,442,793 B1 * 9/2002 Paterson A47L 9/325
 15/377
 D545,512 S * 6/2007 Genoa D32/31
 7,390,206 B2 * 6/2008 Sheremeta H01R 13/005
 439/191
 D610,760 S * 2/2010 Zugen D32/31
 D638,536 S * 5/2011 Row D24/129
 D677,789 S * 3/2013 Row D24/129

D683,918 S * 6/2013 Erlich D32/25
 D731,723 S * 6/2015 Dammkoehler D32/34
 D762,843 S * 8/2016 Formica D24/110
 D785,264 S * 4/2017 Webster D32/31
 D793,638 S * 8/2017 LaBarbera D32/32
 D802,102 S * 11/2017 Mursu D32/31
 D804,619 S * 12/2017 Mursu D23/266
 D830,523 S * 10/2018 Vranish D23/262
 D880,686 S * 4/2020 Stoks D24/110
 D910,255 S * 2/2021 Bloemendaal D32/31
 D917,121 S * 4/2021 Enning D32/32
 D923,768 S * 6/2021 Maeckelberghe D23/358
 2005/0183228 A1 * 8/2005 Snyder A47L 9/242
 15/314
 2006/0292908 A1 * 12/2006 Sheremeta H01R 13/005
 439/191
 2007/0251046 A1 * 11/2007 Kang A47L 9/246
 15/314
 2015/0320271 A1 * 11/2015 Dimbylow A47L 9/1641
 15/353
 2017/0187158 A1 * 6/2017 Crowe H01R 13/62955
 2017/0332856 A1 * 11/2017 Shin A47L 9/2852
 2020/0093340 A1 * 3/2020 Kamrath A47L 5/36

OTHER PUBLICATIONS

YouTube Rainbow SRX hose comparison <https://www.youtube.com/watch?v=QpcU9OIRwQs> (Year: 2020).*

* cited by examiner

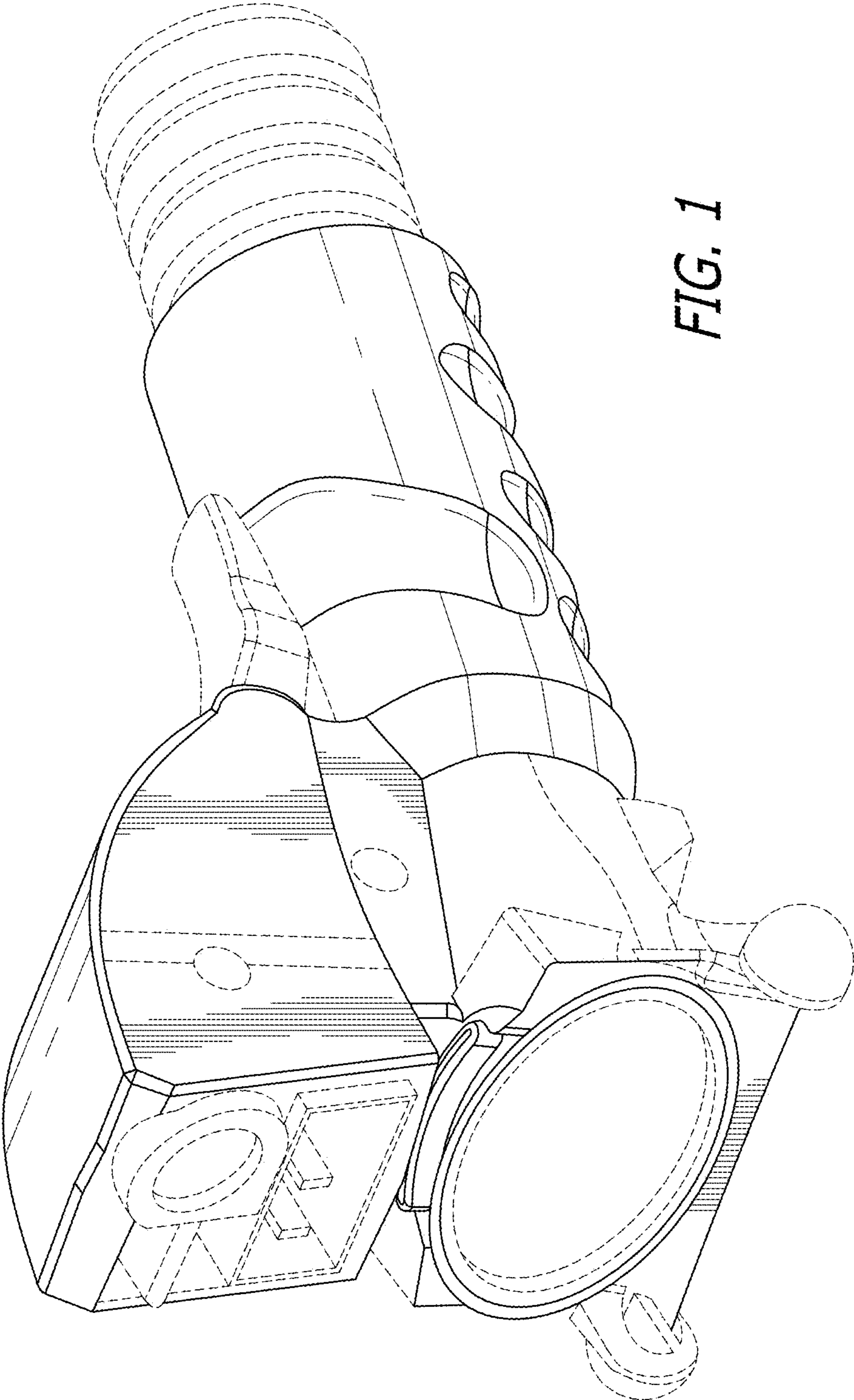
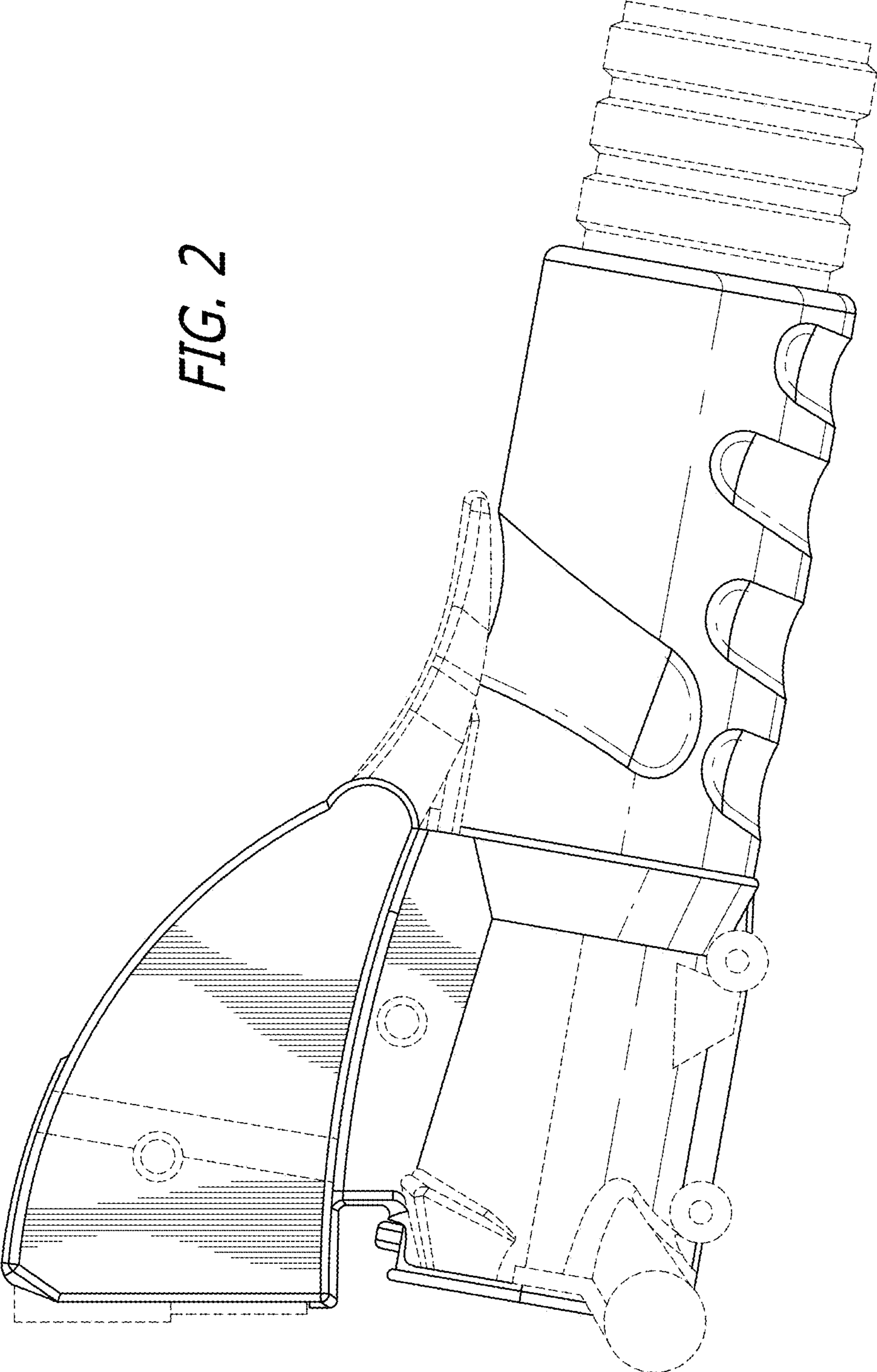


FIG. 1

FIG. 2



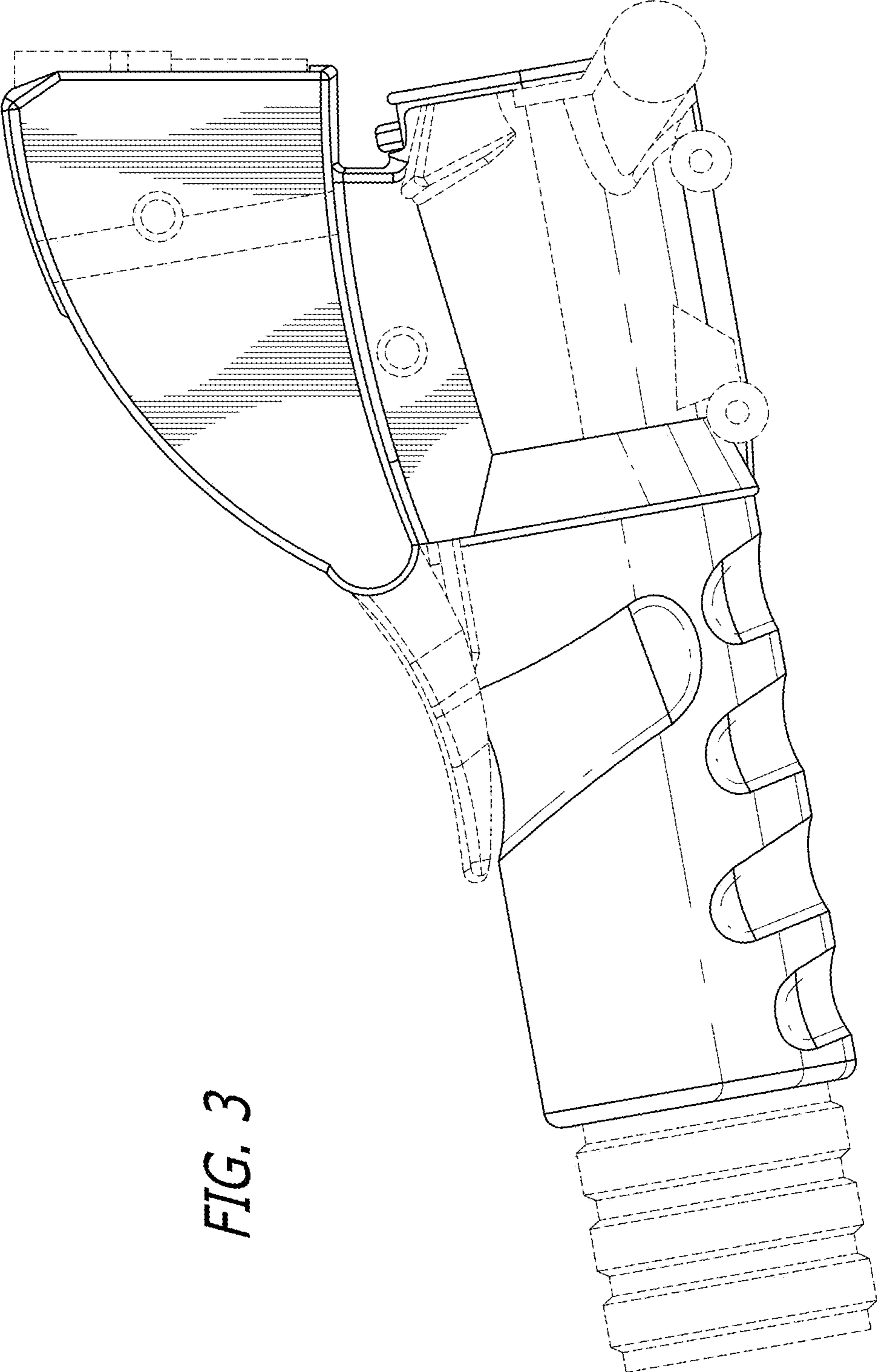


FIG. 3

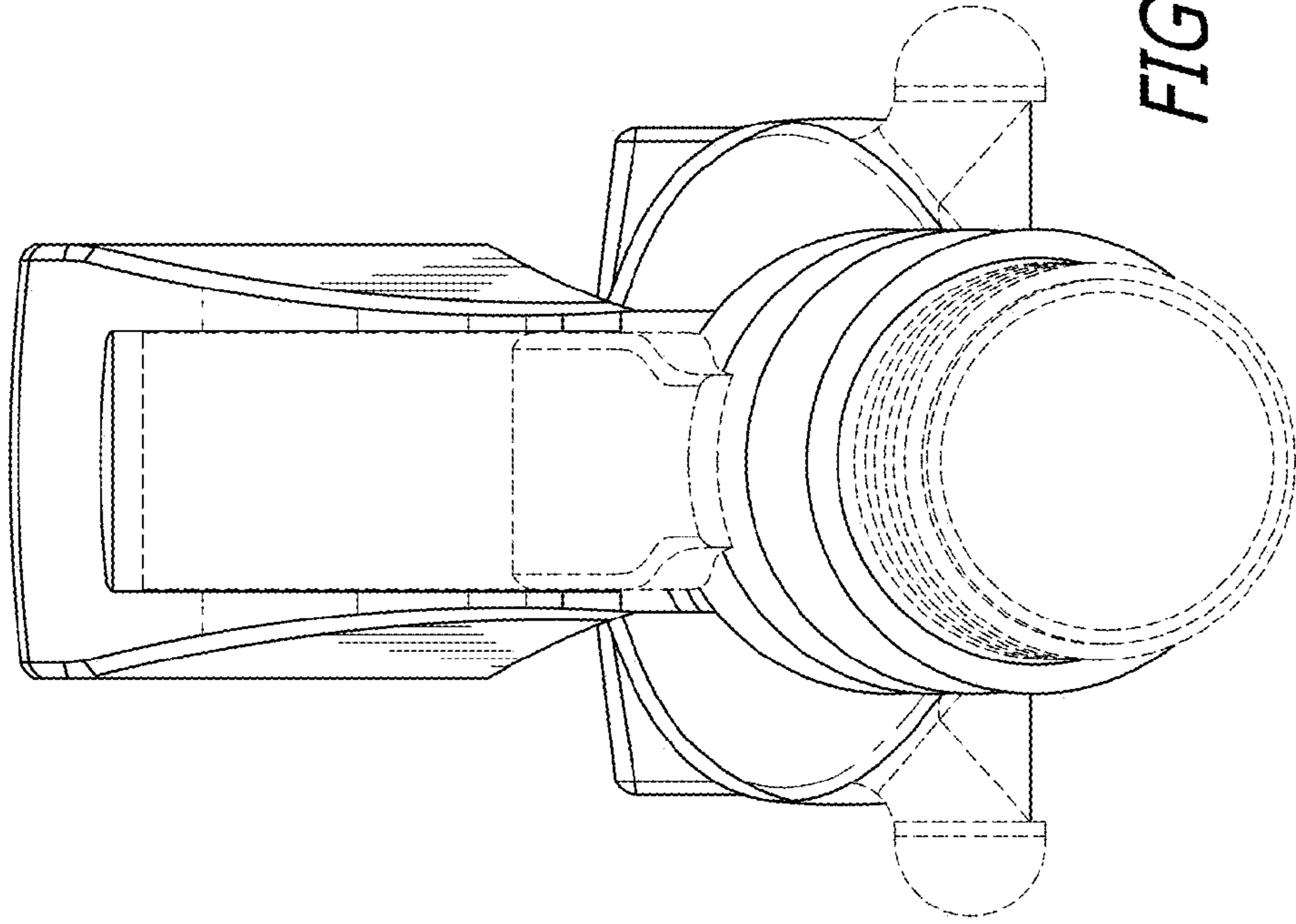


FIG. 5

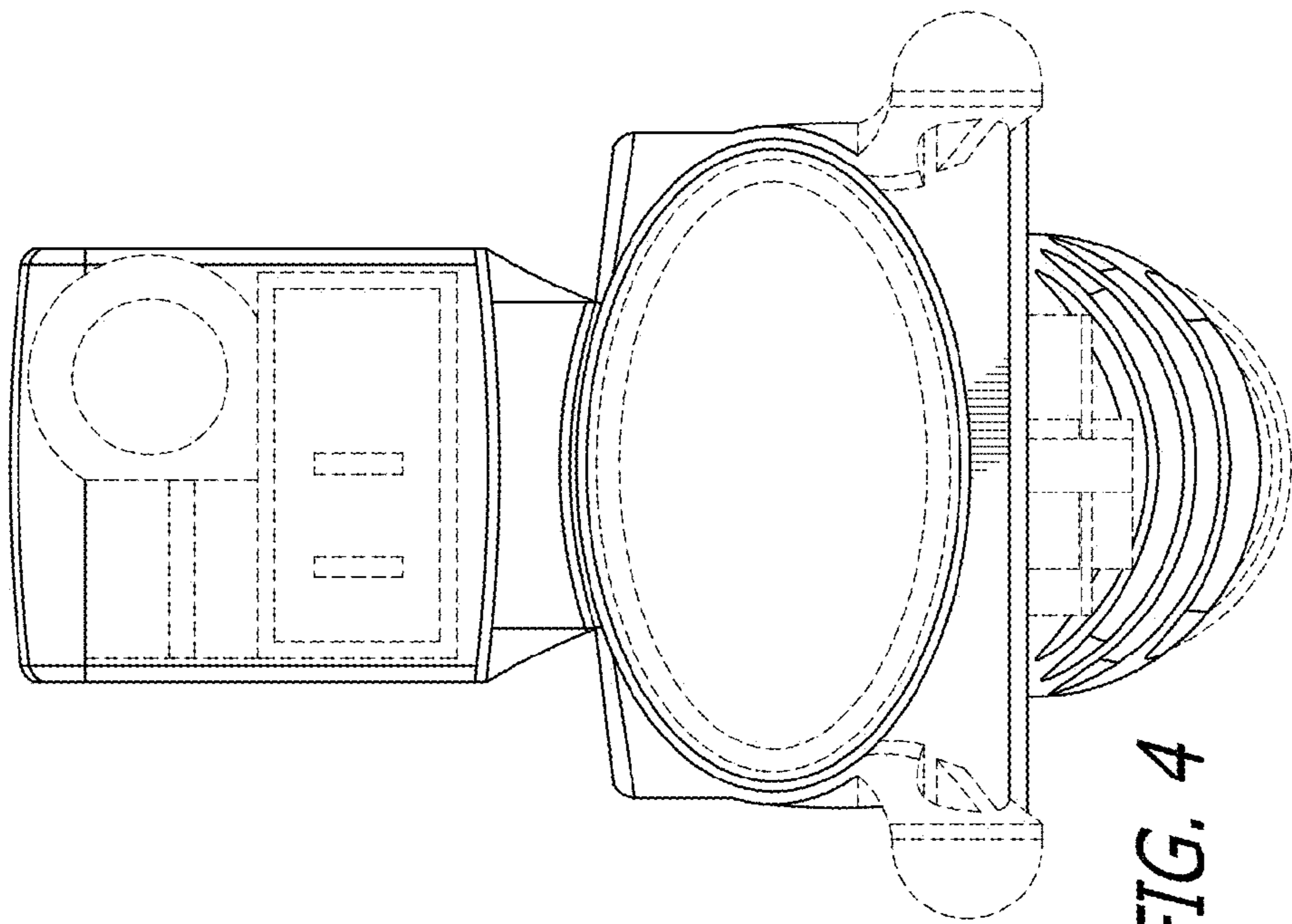


FIG. 4

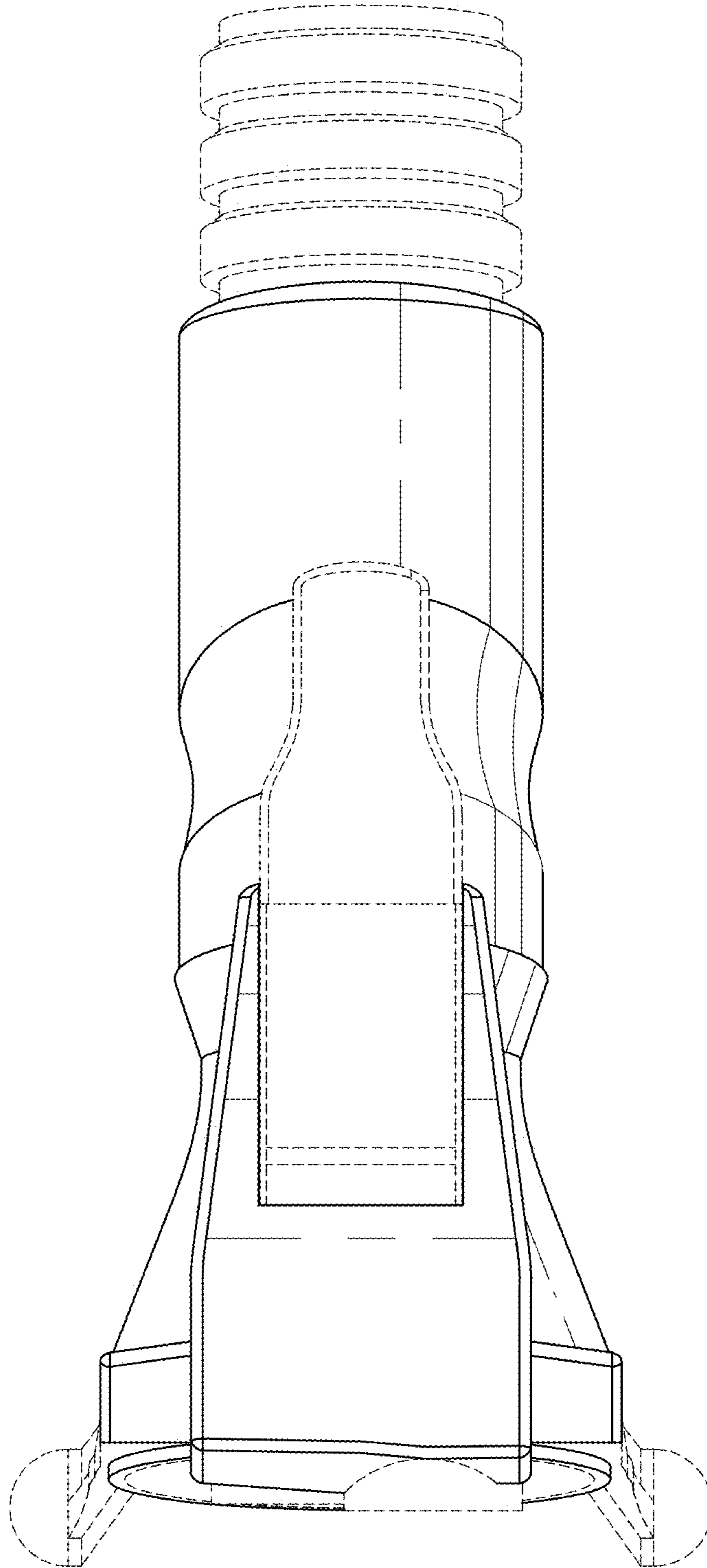


FIG. 6

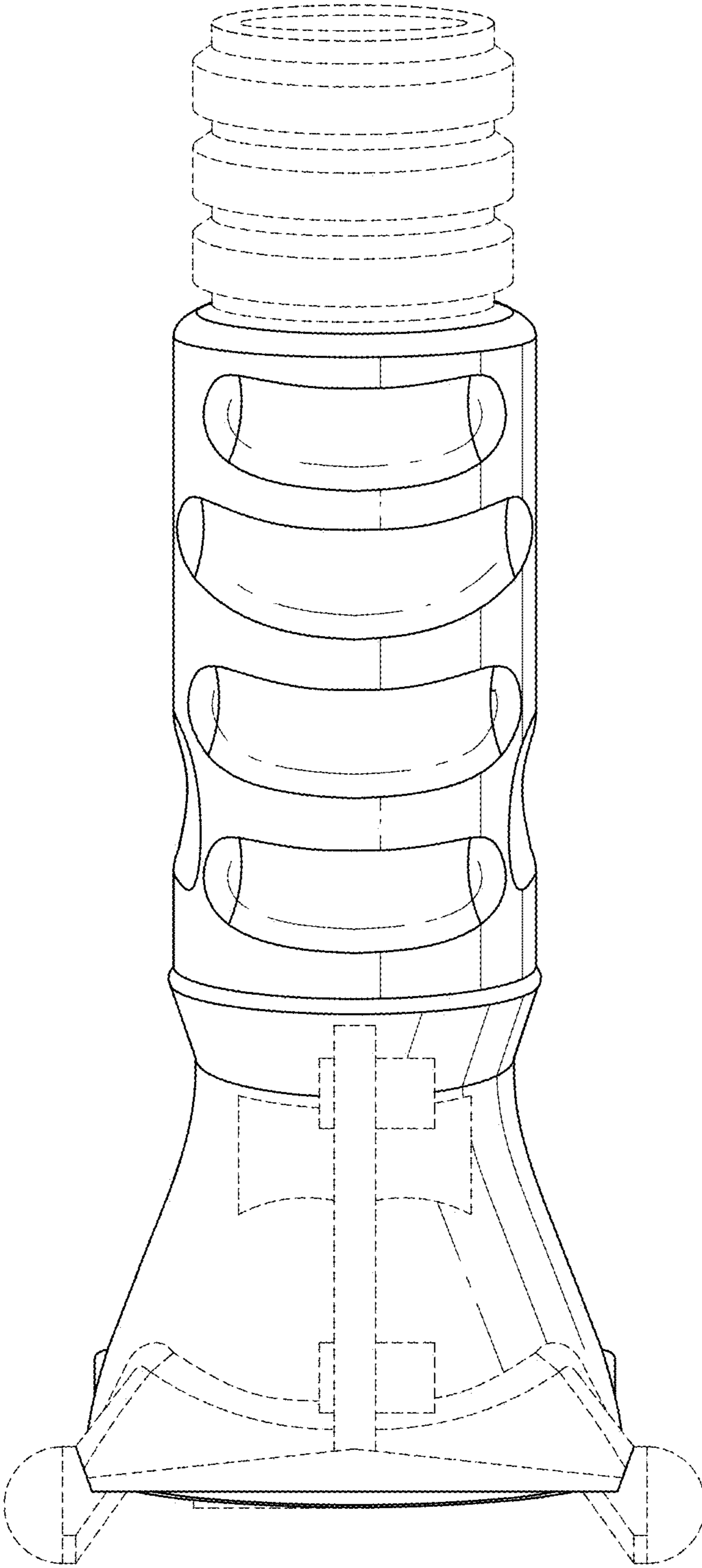


FIG. 7

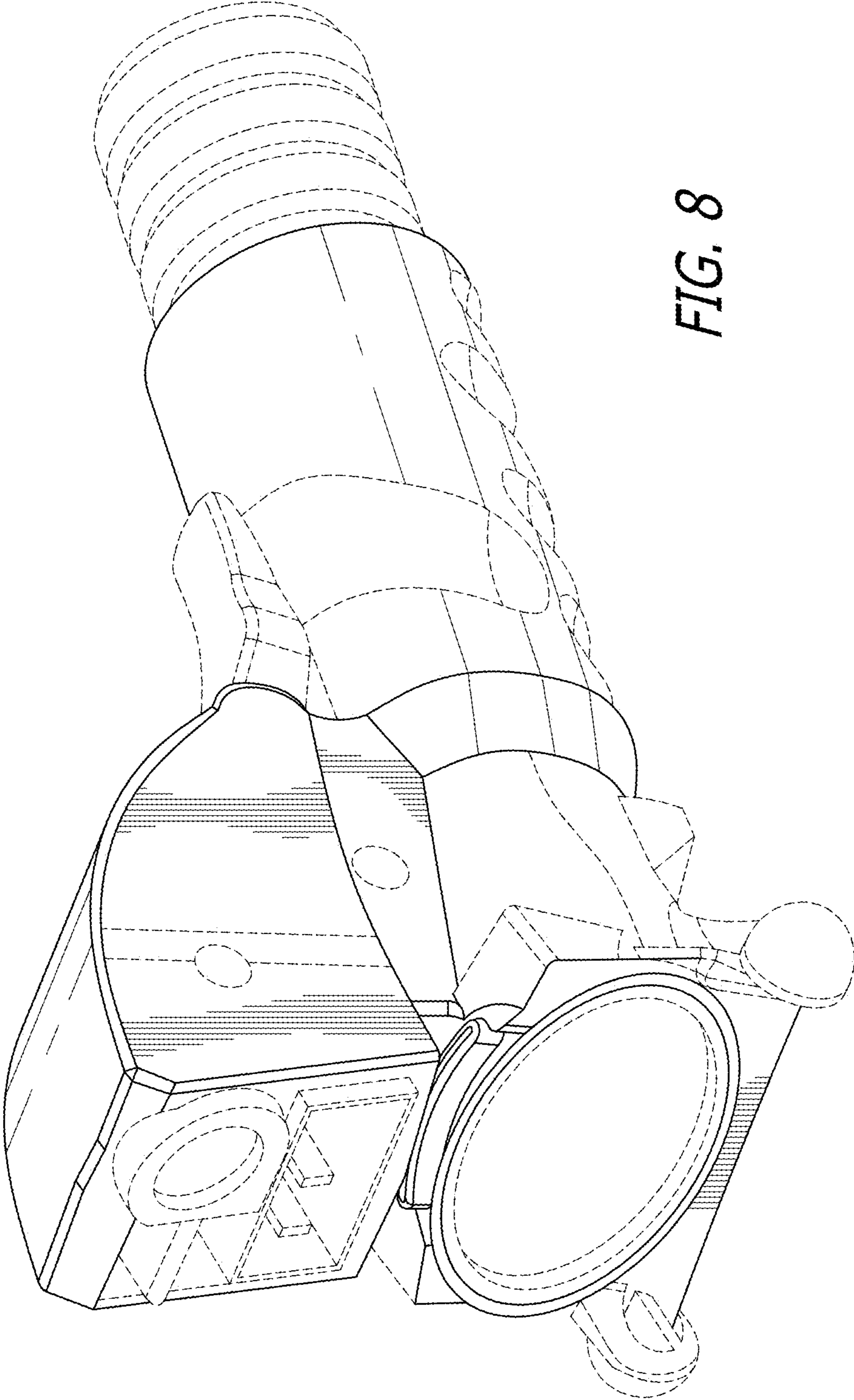
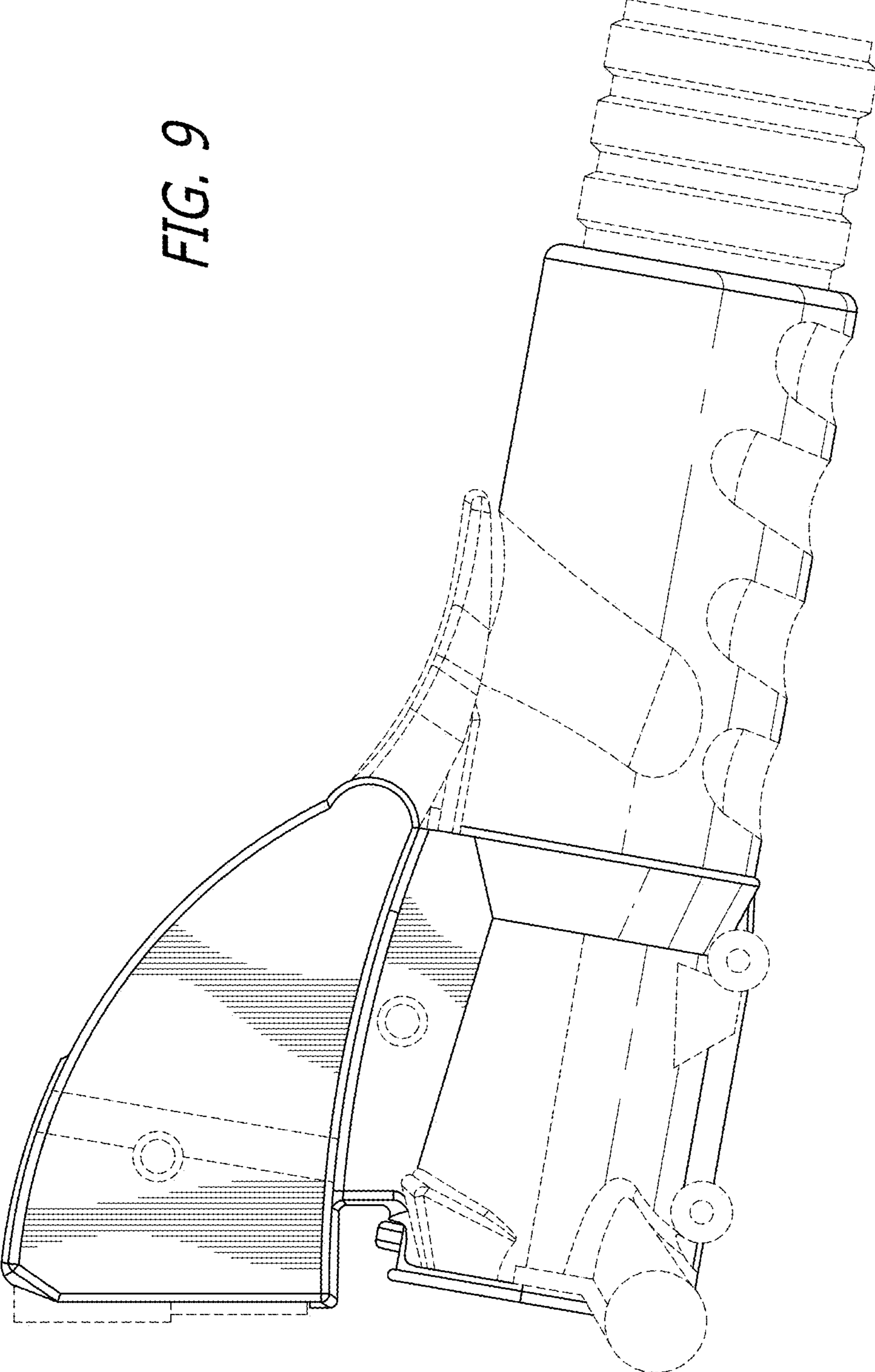


FIG. 8

FIG. 9



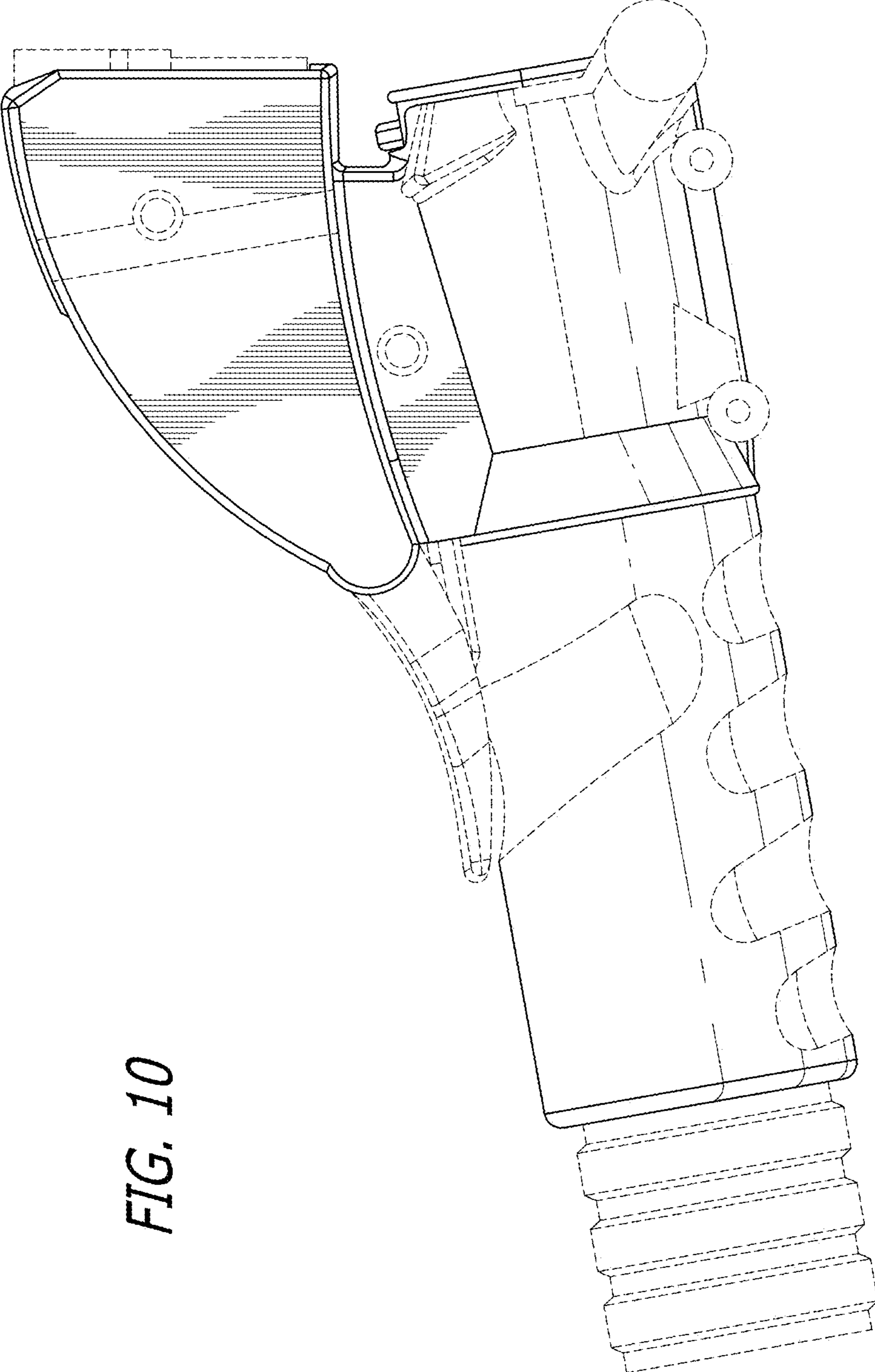


FIG. 10

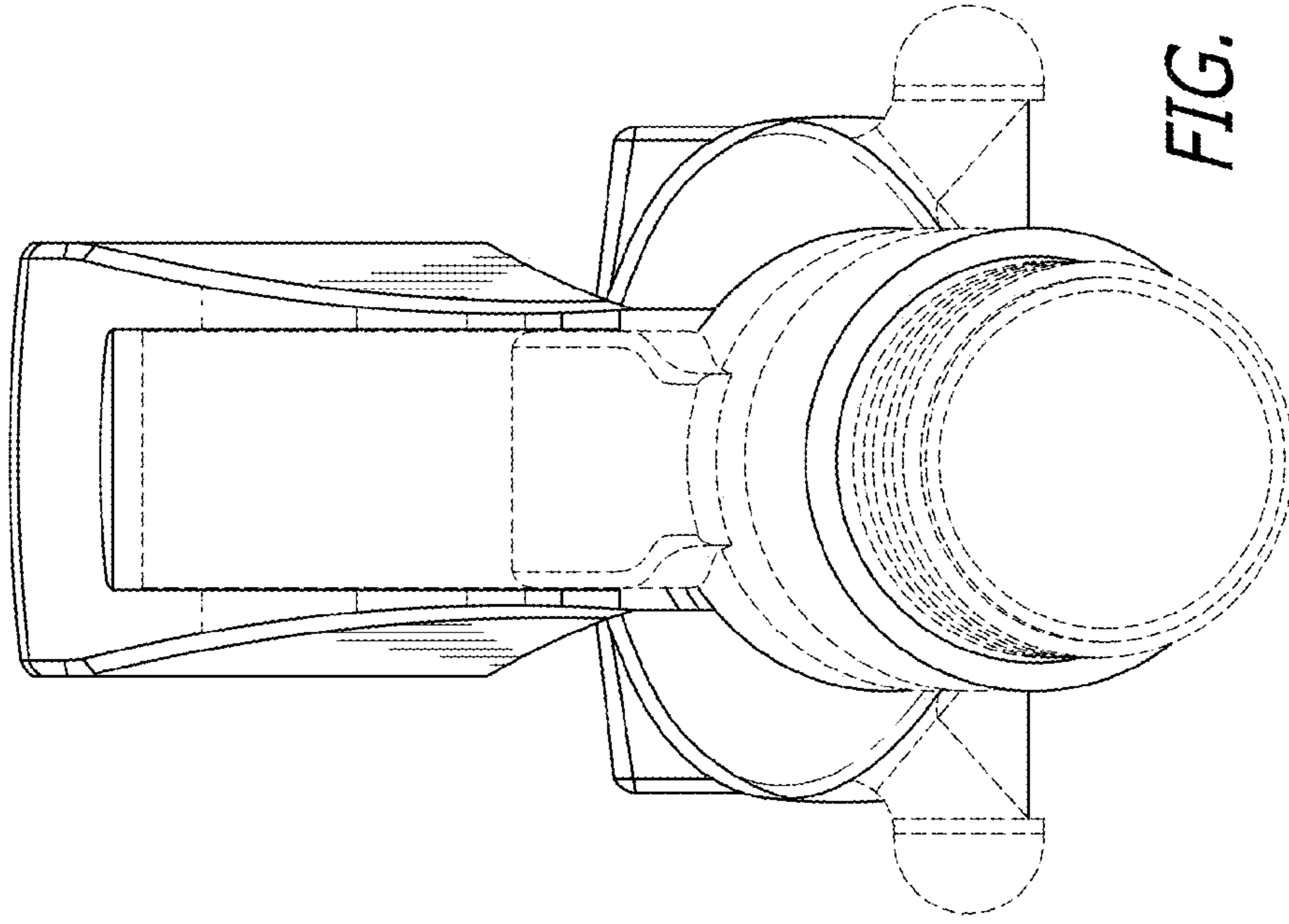


FIG. 12

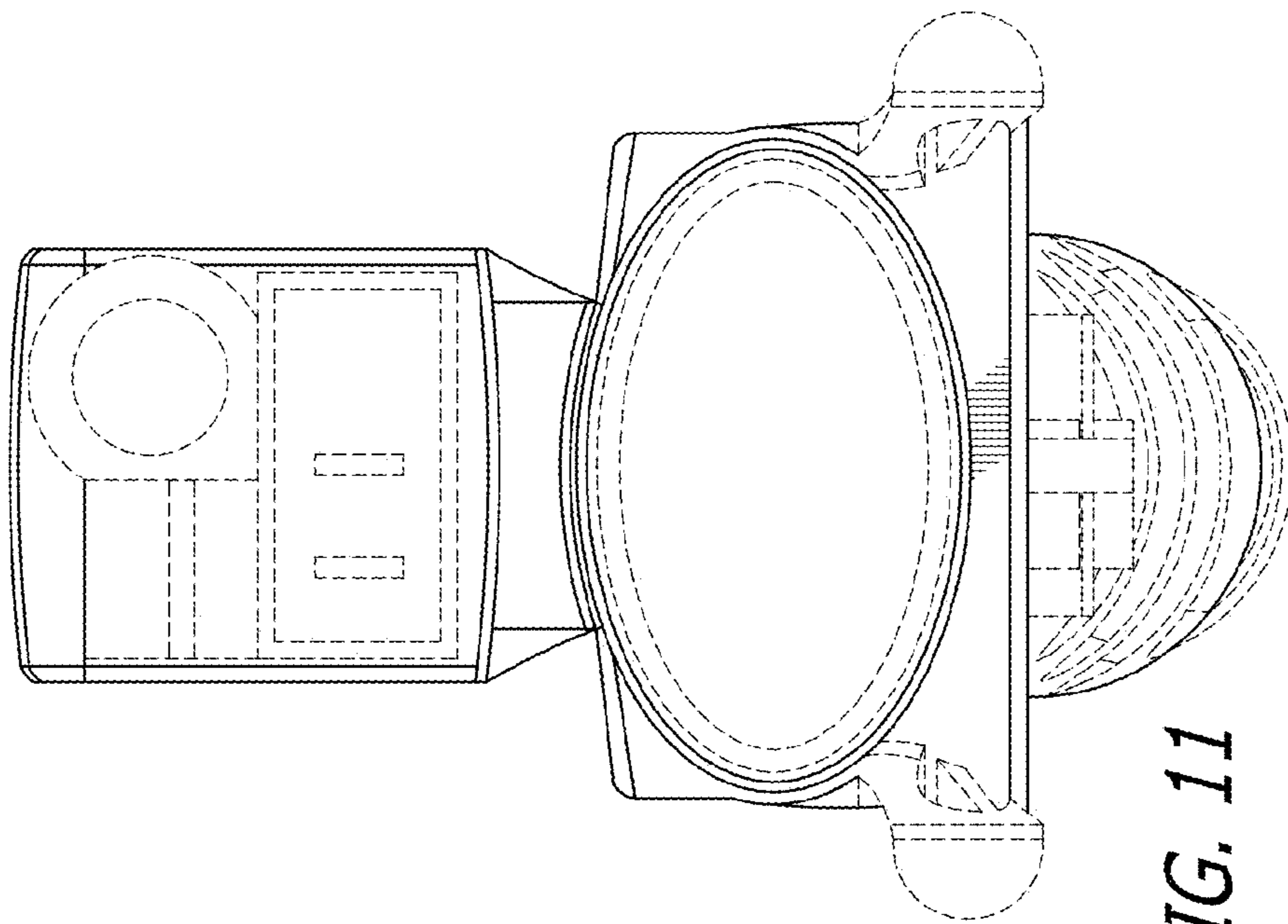


FIG. 11

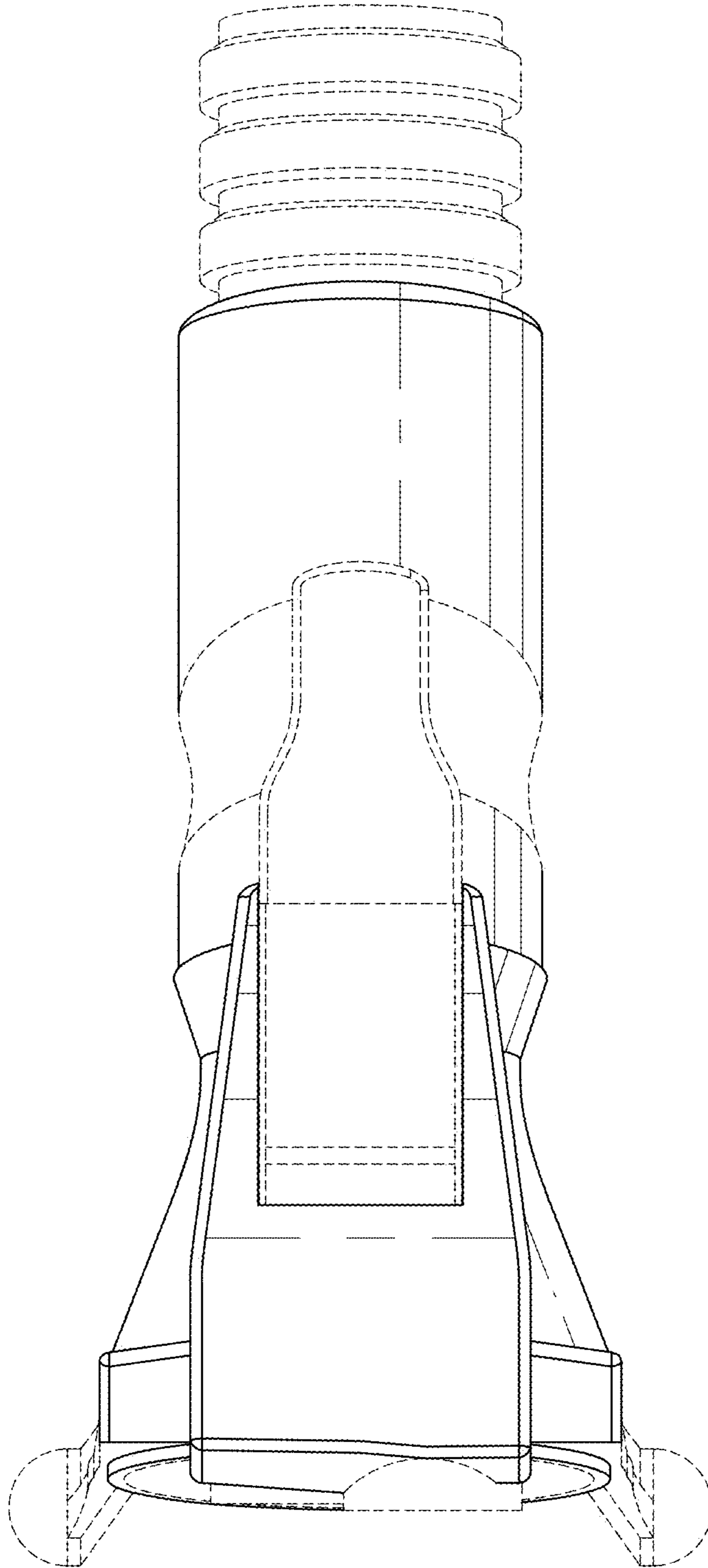


FIG. 13

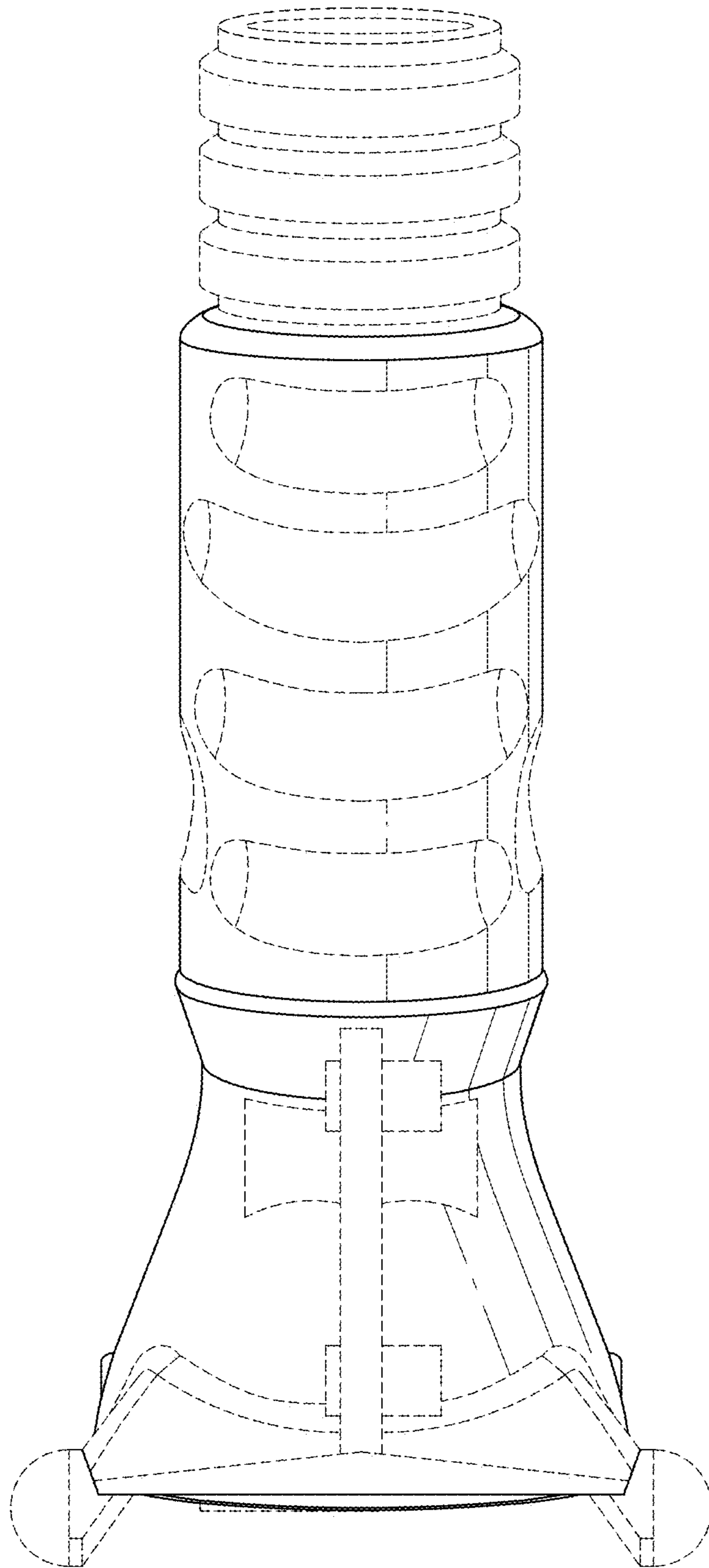


FIG. 14