



US00D975947S

(12) **United States Design Patent**
Jiang et al.

(10) **Patent No.:** **US D975,947 S**
(45) **Date of Patent:** **** Jan. 17, 2023**

(54) **ROBOT VACUUM CLEANER**
(71) Applicant: **Dreame Innovation Technology**
(Suzhou) Co., Ltd., Suzhou (CN)

D921,309 S * 6/2021 Liu D32/21
D922,011 S * 6/2021 Ren D32/21
D927,108 S * 8/2021 Choi D32/21
(Continued)

(72) Inventors: **Nan Jiang, Suzhou (CN); Ning Nie,**
Suzhou (CN)

FOREIGN PATENT DOCUMENTS

CN 305093025 S 4/2019
CN 305093026 S 4/2019
(Continued)

(73) Assignee: **Dreame Innovation Technology**
(Suzhou) Co., Ltd., Suzhou (CN)

(**) Term: **15 Years**

OTHER PUBLICATIONS

Amazon.com—Dreame D9 Pro Robot Vacuum https://www.amazon.com/dp/B0978ZBZNK/ref=sspa_dk_detail_2 (Year: 2021).*

(21) Appl. No.: **29/762,407**

Primary Examiner — Kevin K Rudzinski
Assistant Examiner — Richard E Yenchesky
(74) *Attorney, Agent, or Firm* — Westbridge IP LLC

(22) Filed: **Dec. 16, 2020**

(30) **Foreign Application Priority Data**

Aug. 11, 2020 (CN) 202030454246.2

(51) **LOC (14) Cl.** **15-05**

(52) **U.S. Cl.**
USPC **D32/21**

(58) **Field of Classification Search**
USPC D8/70; D15/199; D16/230; D32/1, 21,
D32/31
CPC A47L 9/009; A47L 2201/00; A47L 13/10;
A47L 13/00; A47L 11/32; A47L 11/24;
A47L 11/00; A47L 11/02
See application file for complete search history.

(57) **CLAIM**

The ornamental design for a robot vacuum cleaner, as shown and described.

DESCRIPTION

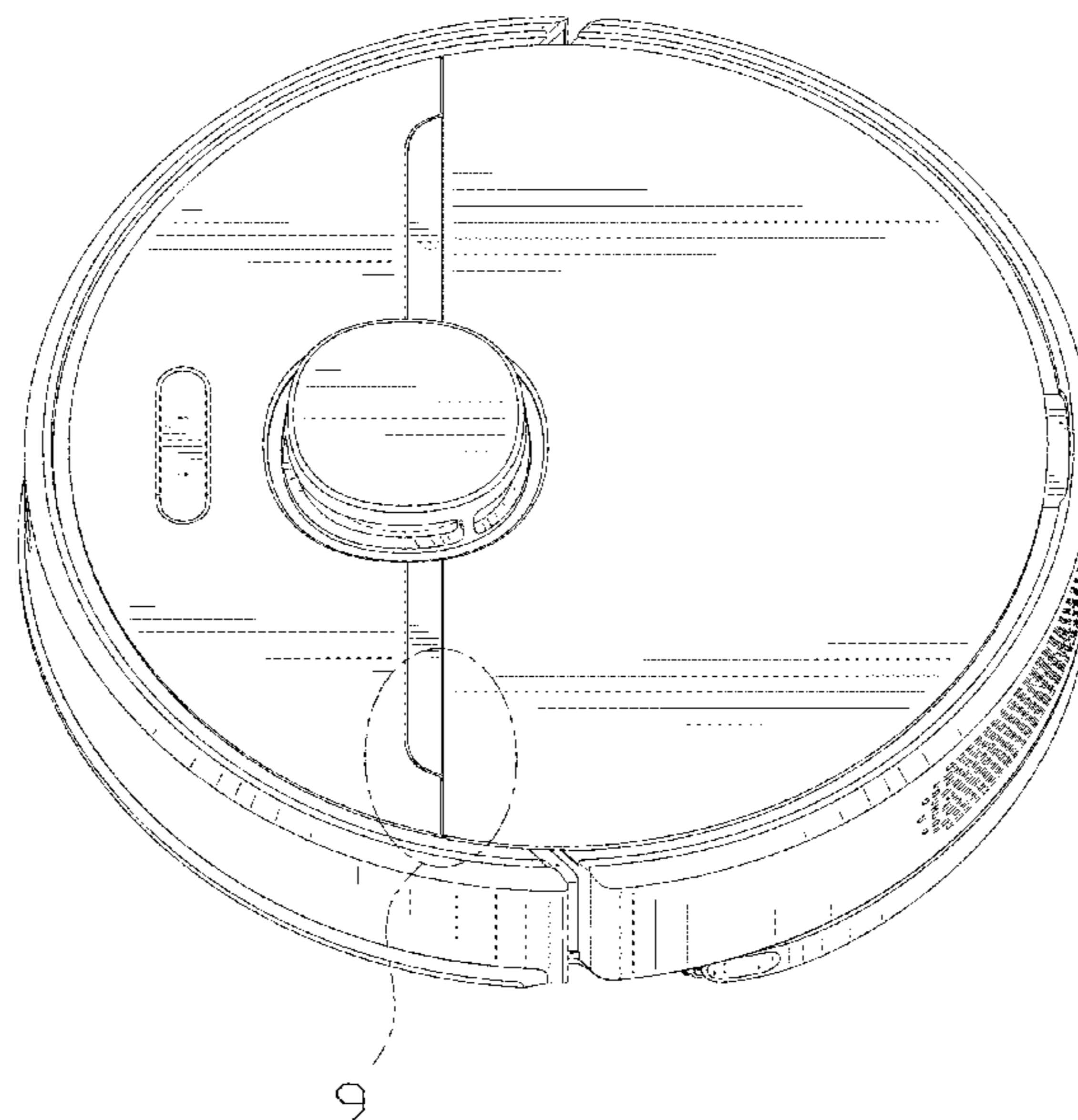
FIG. 1 is a top perspective view of a robot vacuum cleaner showing our new design;
FIG. 2 is a bottom perspective view thereof;
FIG. 3 is a front elevational view thereof;
FIG. 4 is a rear elevational view thereof;
FIG. 5 is a left side elevational view thereof;
FIG. 6 is a right side elevational view thereof;
FIG. 7 is a top plan view thereof;
FIG. 8 is a bottom plan view thereof;
FIG. 9 is an enlarged view of the portion indicated by line 9 in FIG. 1; and,
FIG. 10 is an enlarged view of the portion indicated by line 10 in FIG. 2.
The broken lines in the drawings depict portions of the robot vacuum cleaner that form no part of the claimed design.

(56) **References Cited**

U.S. PATENT DOCUMENTS

D840,617 S * 2/2019 Dou D32/21
D869,109 S * 12/2019 Yu D32/21
D884,298 S * 5/2020 Li D32/21
D901,110 S * 11/2020 Li A47L 9/009
D917,117 S * 4/2021 Cao D32/21
D919,211 S * 5/2021 Chang D32/21
D921,308 S * 6/2021 Cao D32/21

1 Claim, 10 Drawing Sheets



9

(56)

References Cited

U.S. PATENT DOCUMENTS

D935,712 S * 11/2021 Wang D32/21
D938,116 S * 12/2021 Yu D32/21

FOREIGN PATENT DOCUMENTS

CN 305878499 S 6/2020
TW 213736-0001 * 9/2021

* cited by examiner

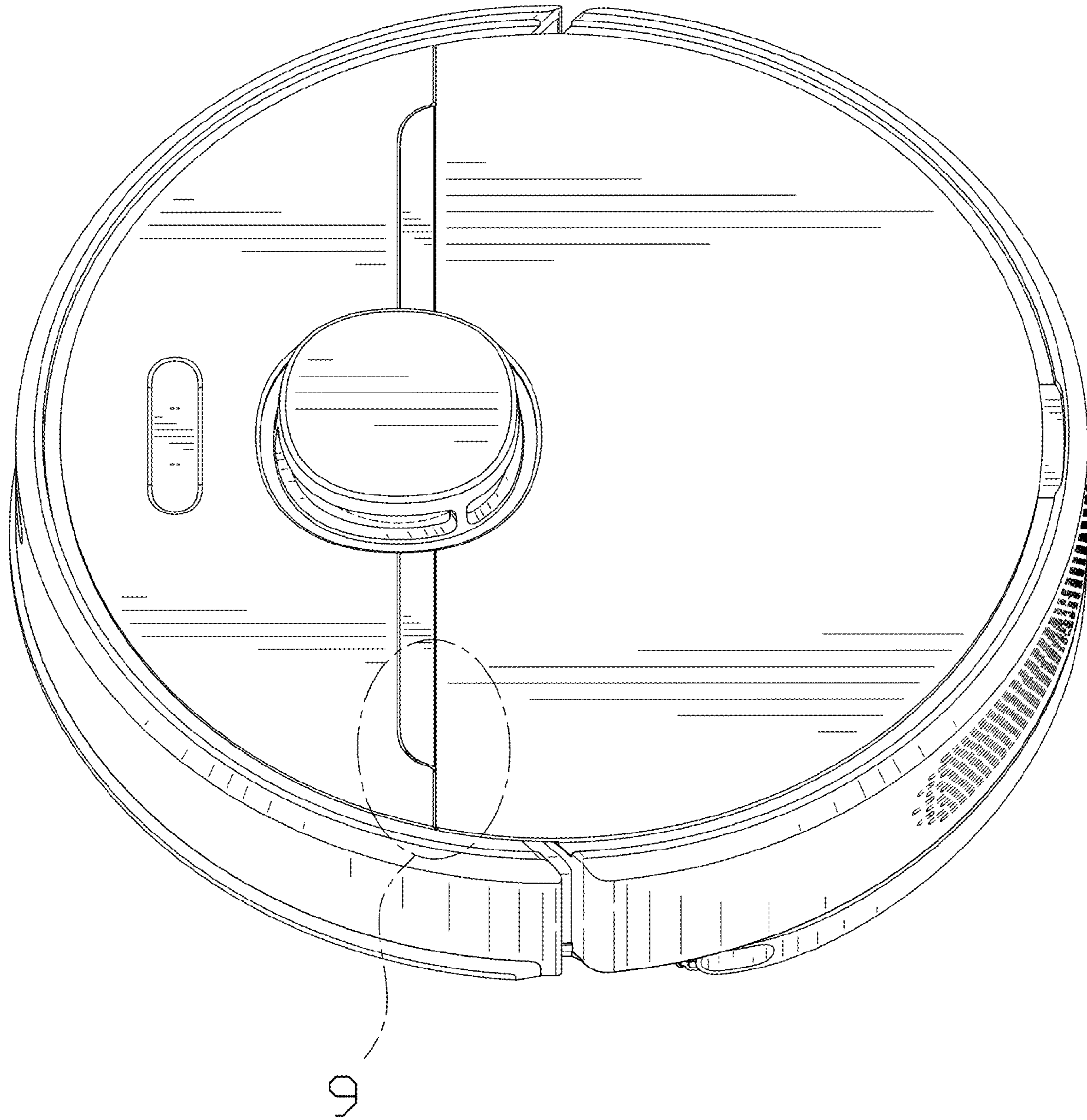


FIG. 1

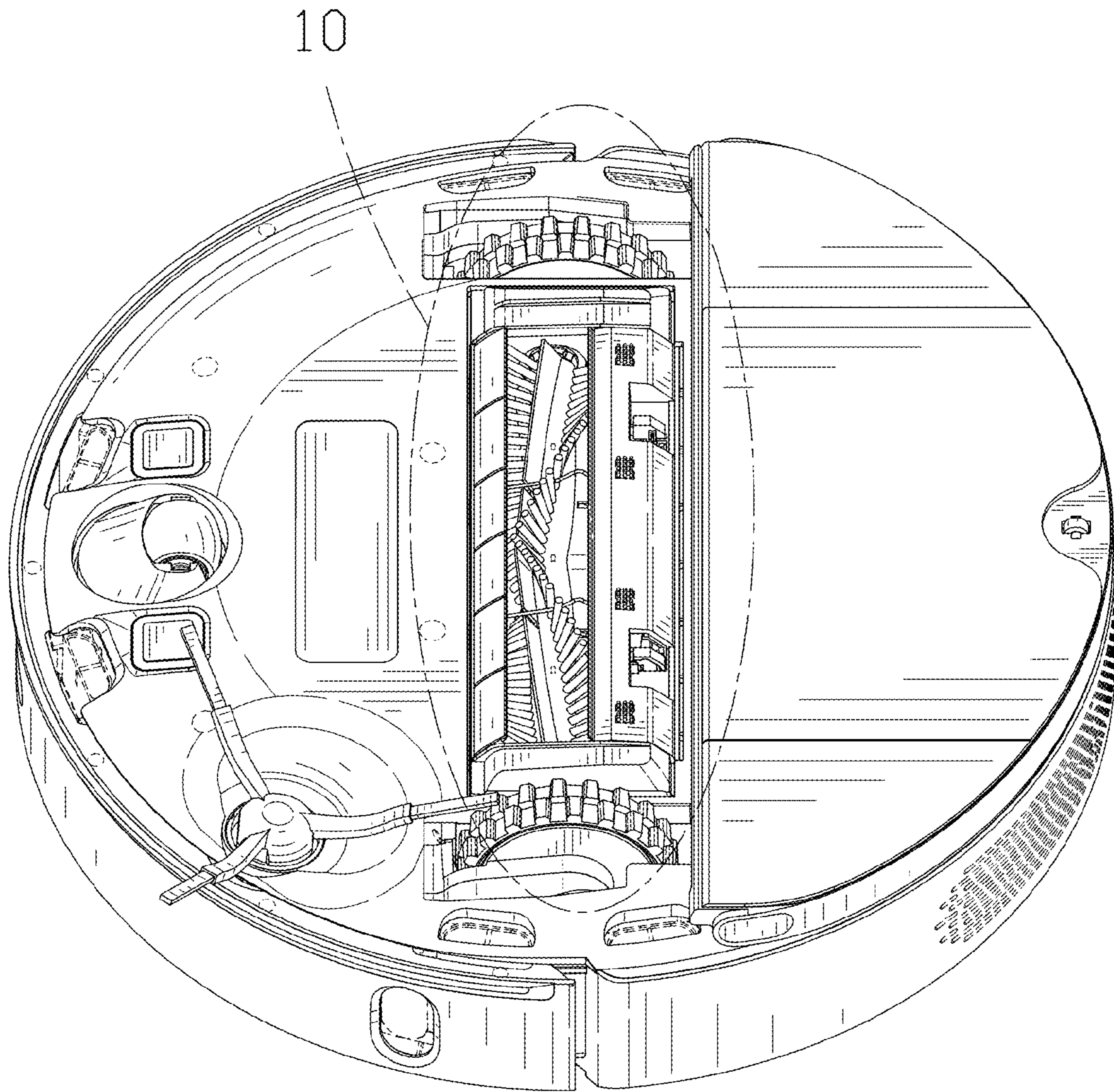


FIG. 2

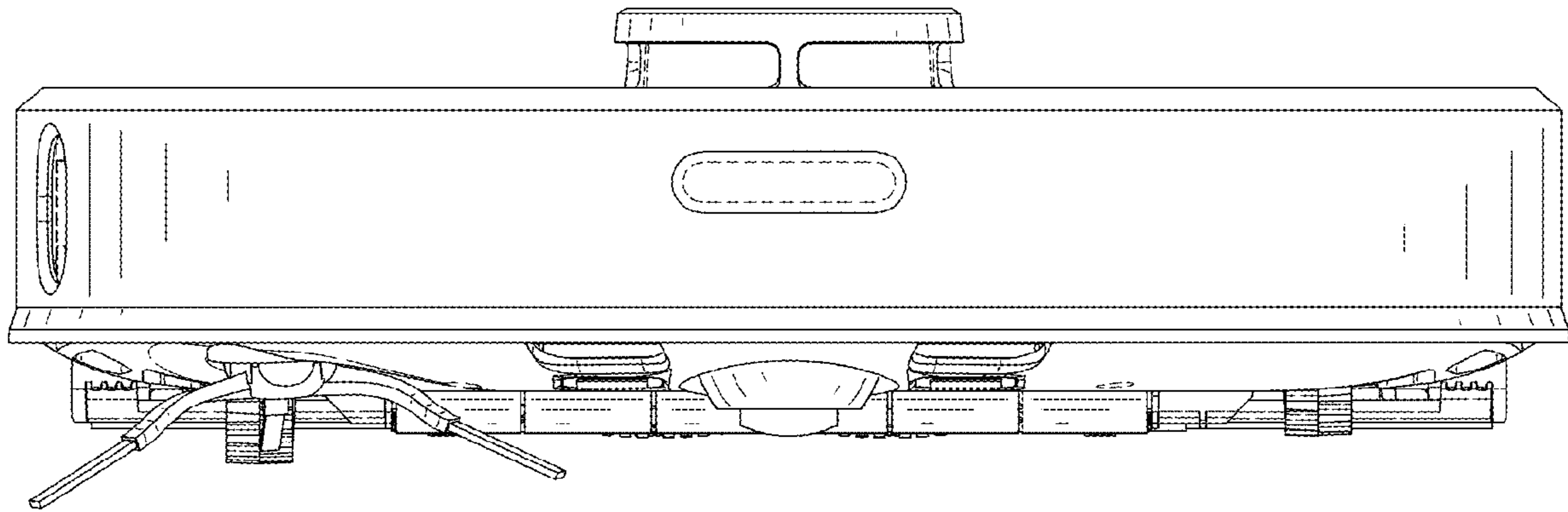


FIG. 3

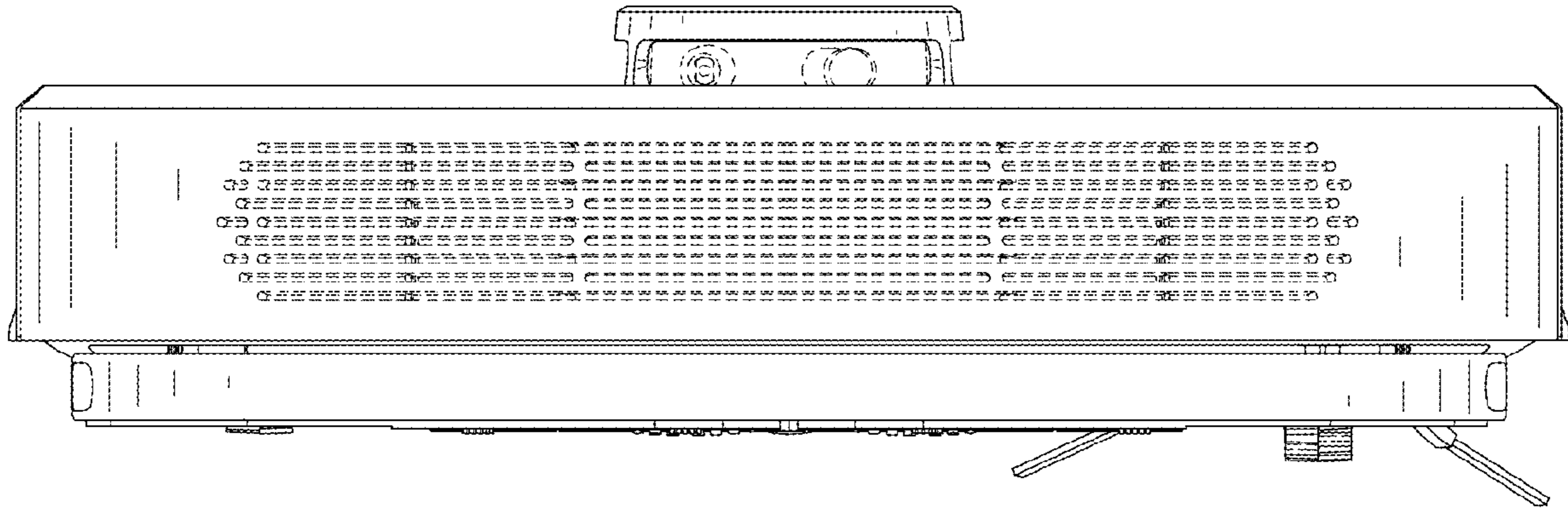


FIG. 4

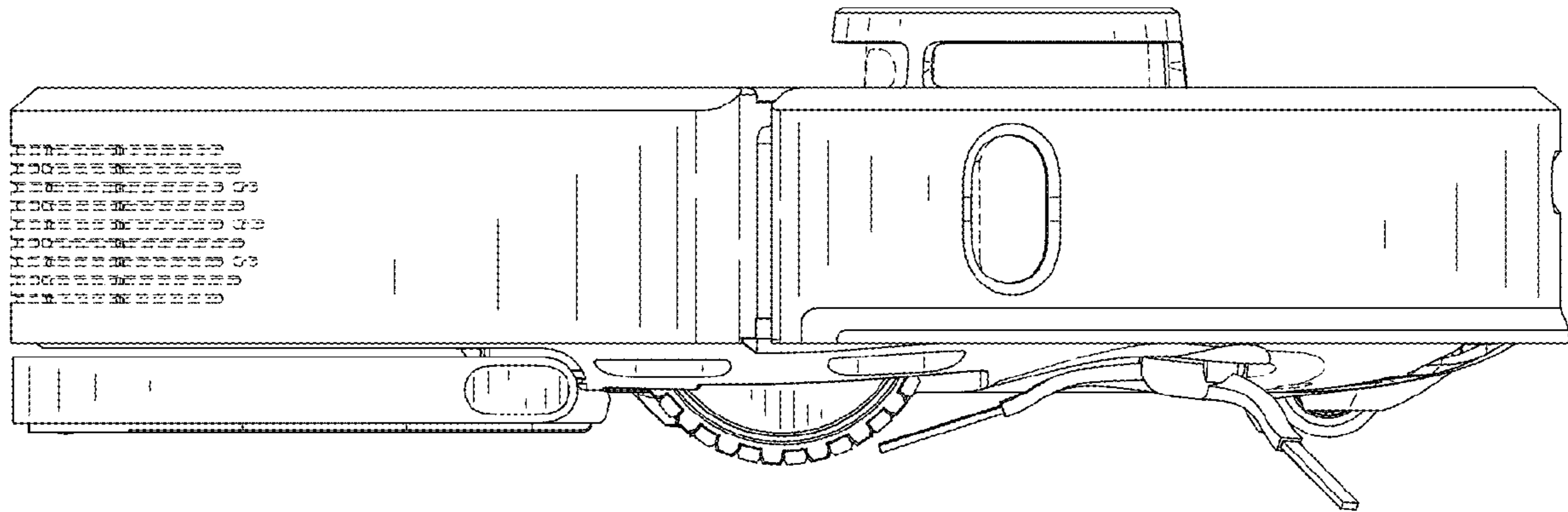


FIG. 5

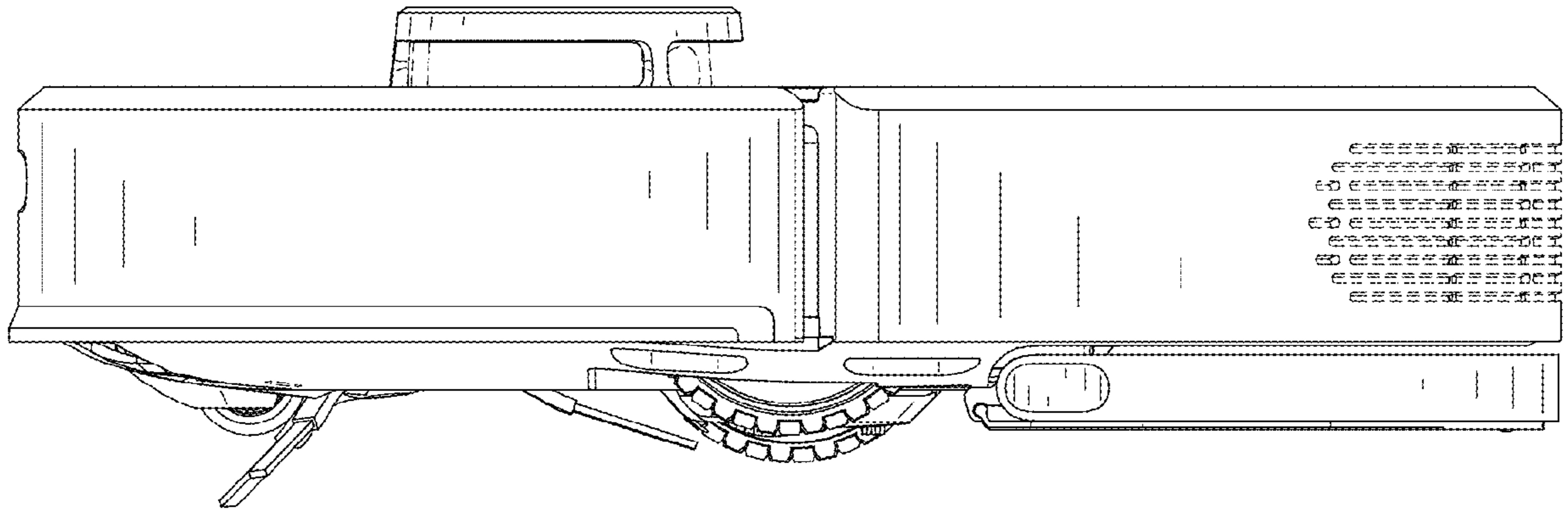


FIG. 6

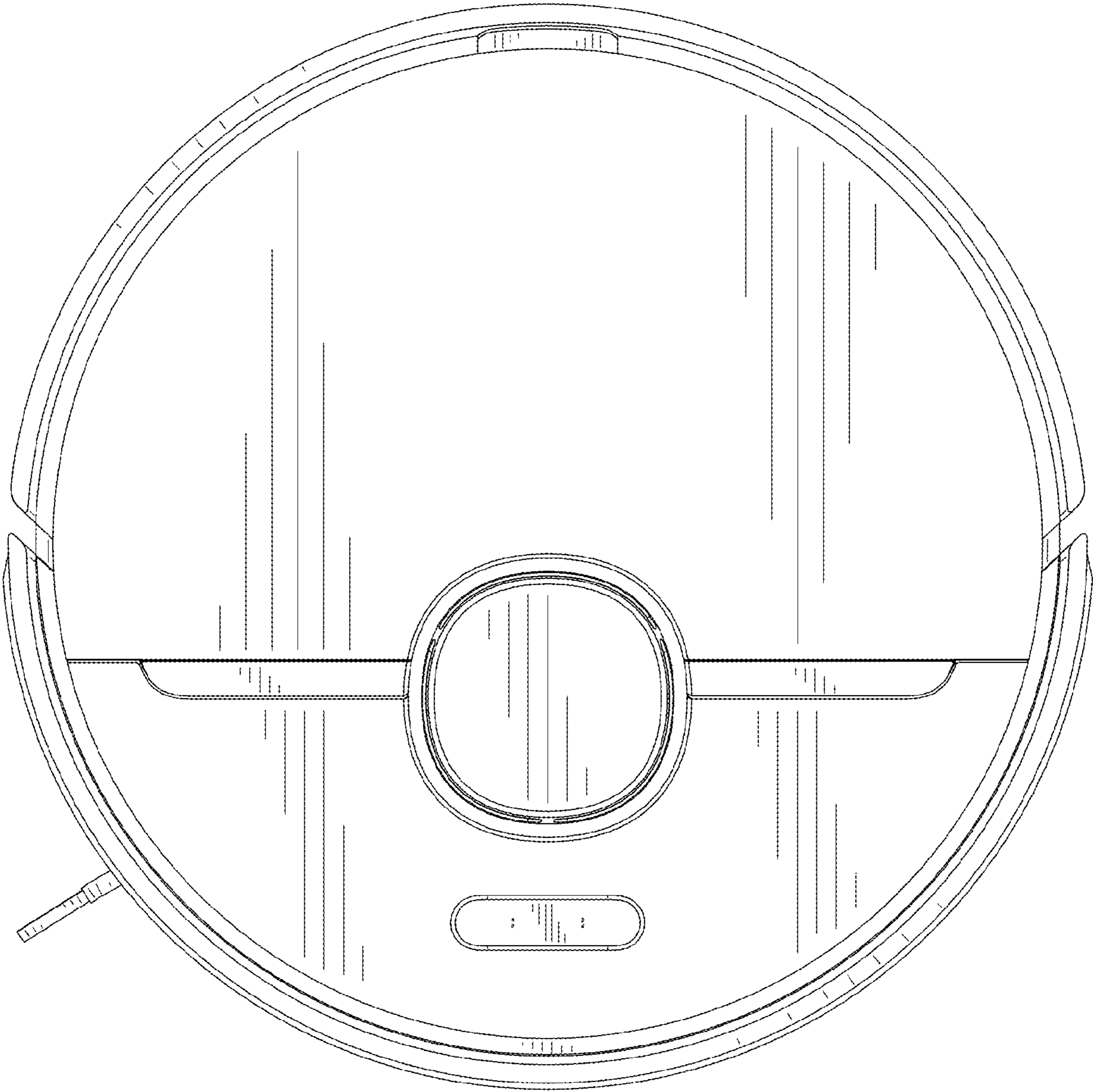


FIG. 7

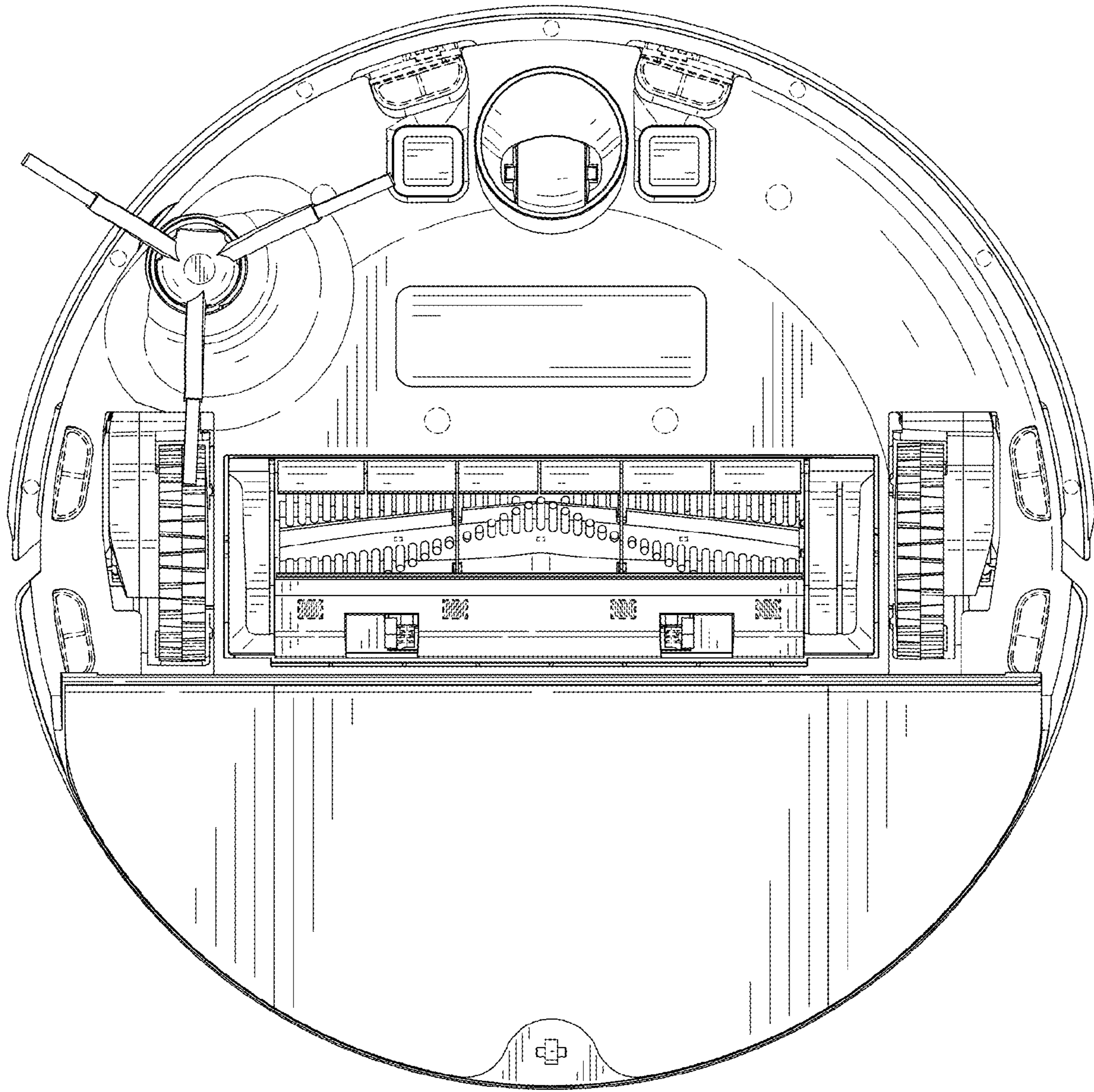


FIG. 8

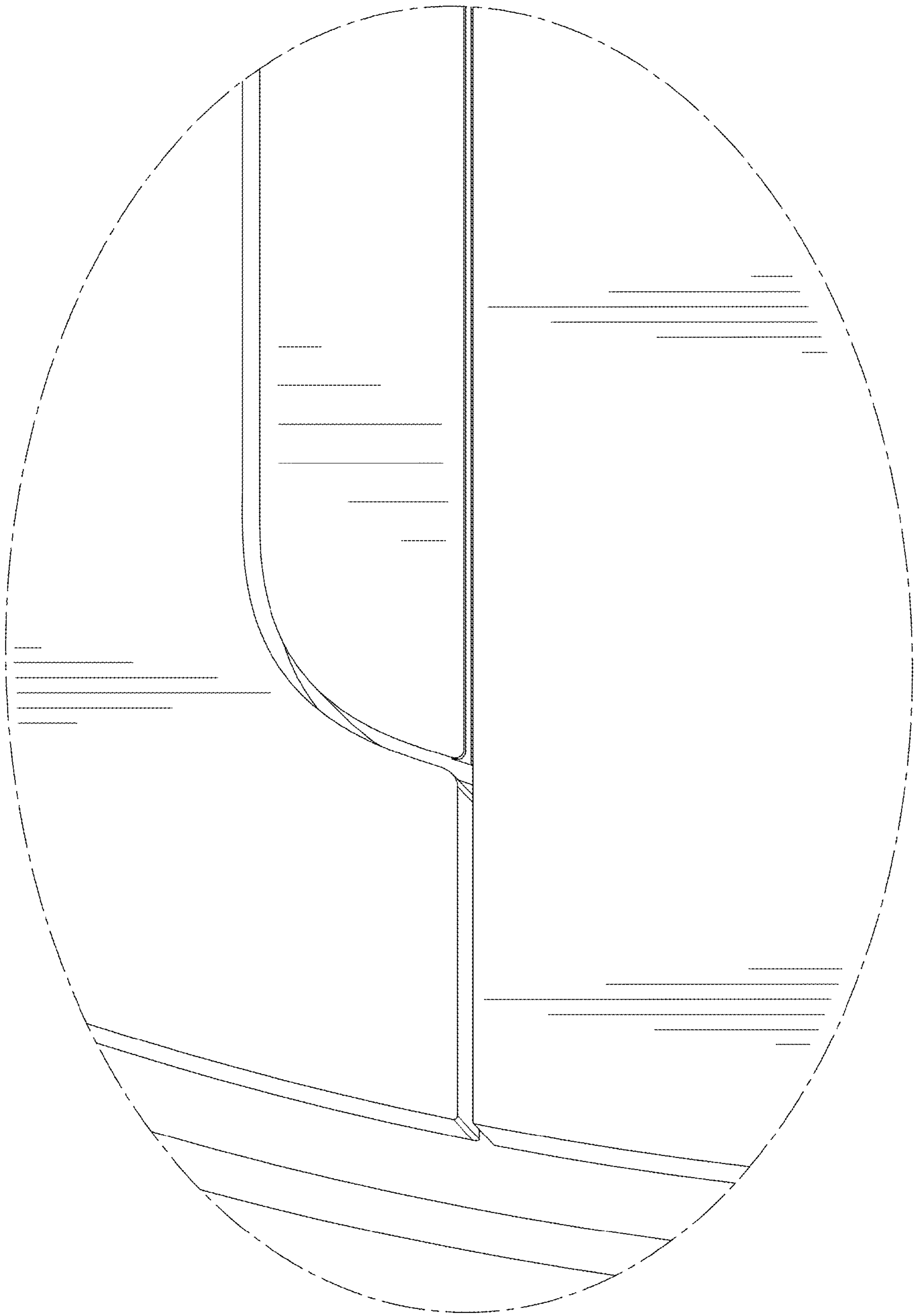


FIG. 9

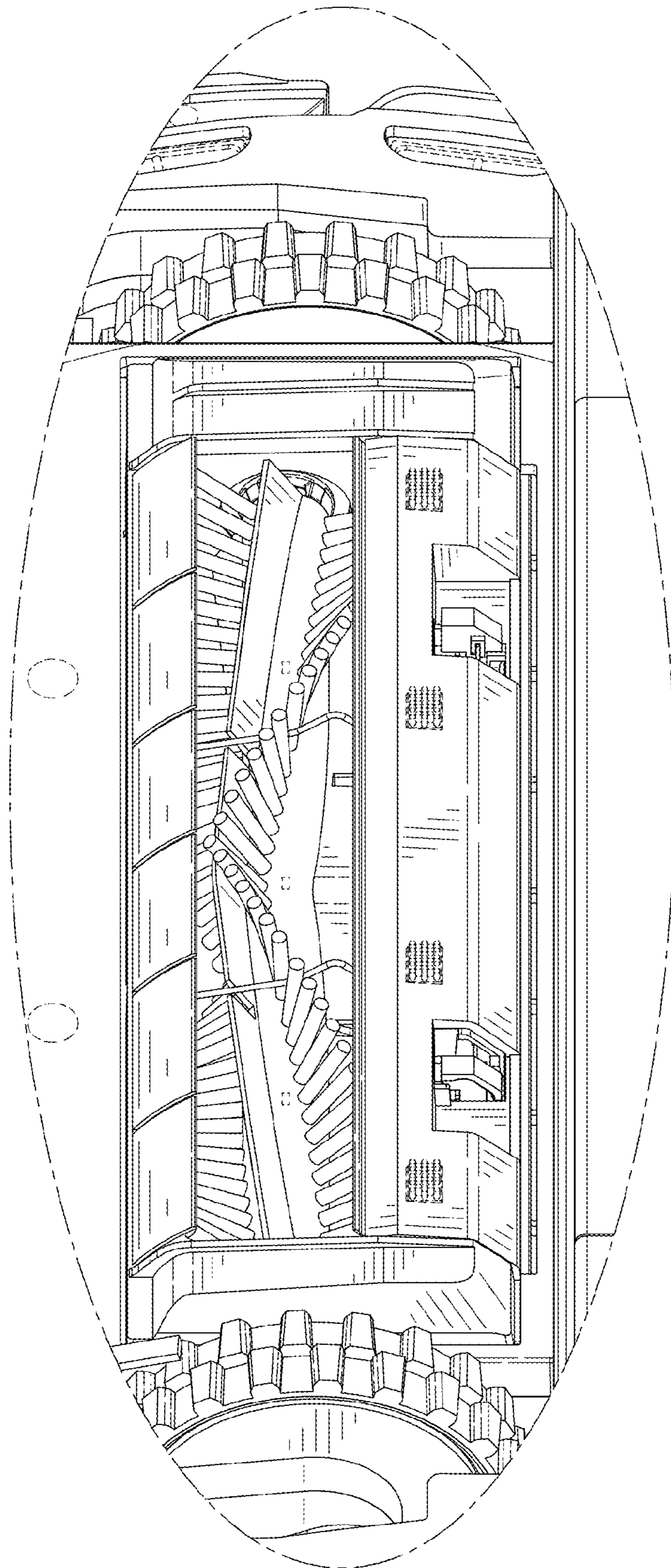


FIG. 10