



US00D975946S

(12) **United States Design Patent**
Yang et al.

(10) **Patent No.:** **US D975,946 S**
(45) **Date of Patent:** **** Jan. 17, 2023**

(54) **GARMENT STEAMER**
(71) Applicant: **EVERSONIC PRODUCTS INC.**,
Rowland Heights, CA (US)
(72) Inventors: **Ruishi Yang**, Rowland Heights, CA
(US); **Lok Hing Tang**, Rowland
Heights, CA (US)

D842,559 S * 3/2019 Yang D32/17
D844,263 S * 3/2019 Ediger et al.
D857,313 S * 8/2019 Smith D32/17
D920,606 S * 5/2021 Huang D32/17
D921,305 S * 6/2021 Zhu D32/17
D921,306 S * 6/2021 Ediger D32/17
D922,007 S * 6/2021 Huang D32/17
D922,702 S * 6/2021 Hu D32/17

(Continued)

(73) Assignee: **EVERSONIC PRODUCTS INC.**,
Rowland Heights, CA (US)

FOREIGN PATENT DOCUMENTS

(**) Term: **15 Years**

CN 305575561 * 1/2020
CN 305781577 * 5/2020

(Continued)

(21) Appl. No.: **29/822,944**

OTHER PUBLICATIONS

(22) Filed: **Jan. 13, 2022**

Beatural Steamer for Clothes (on-line), reviewed May 30, 2021.
Retrieved from Internet Aug. 11, 2022, URL: <https://www.amazon.com/BEAUTURAL-Foldable-Handheld-Clothing-30-Second/dp/B08P456NHG?th=1> (5 pages) (Year: 2021).*

(51) **LOC (14) Cl.** **15-05**

(52) **U.S. Cl.**
USPC **D32/17**

(58) **Field of Classification Search**
USPC D32/15-24, 31-34
CPC A47L 5/24; A47L 5/26; A47L 9/00; A47L
9/02; D06F 73/00; D06F 75/10; D06F
75/12; D06F 75/20; D06F 75/30; D06F
87/00
See application file for complete search history.

Primary Examiner — Kimberly Barnes

(57) **CLAIM**

The ornamental design for a garment steamer, as shown and described.

DESCRIPTION

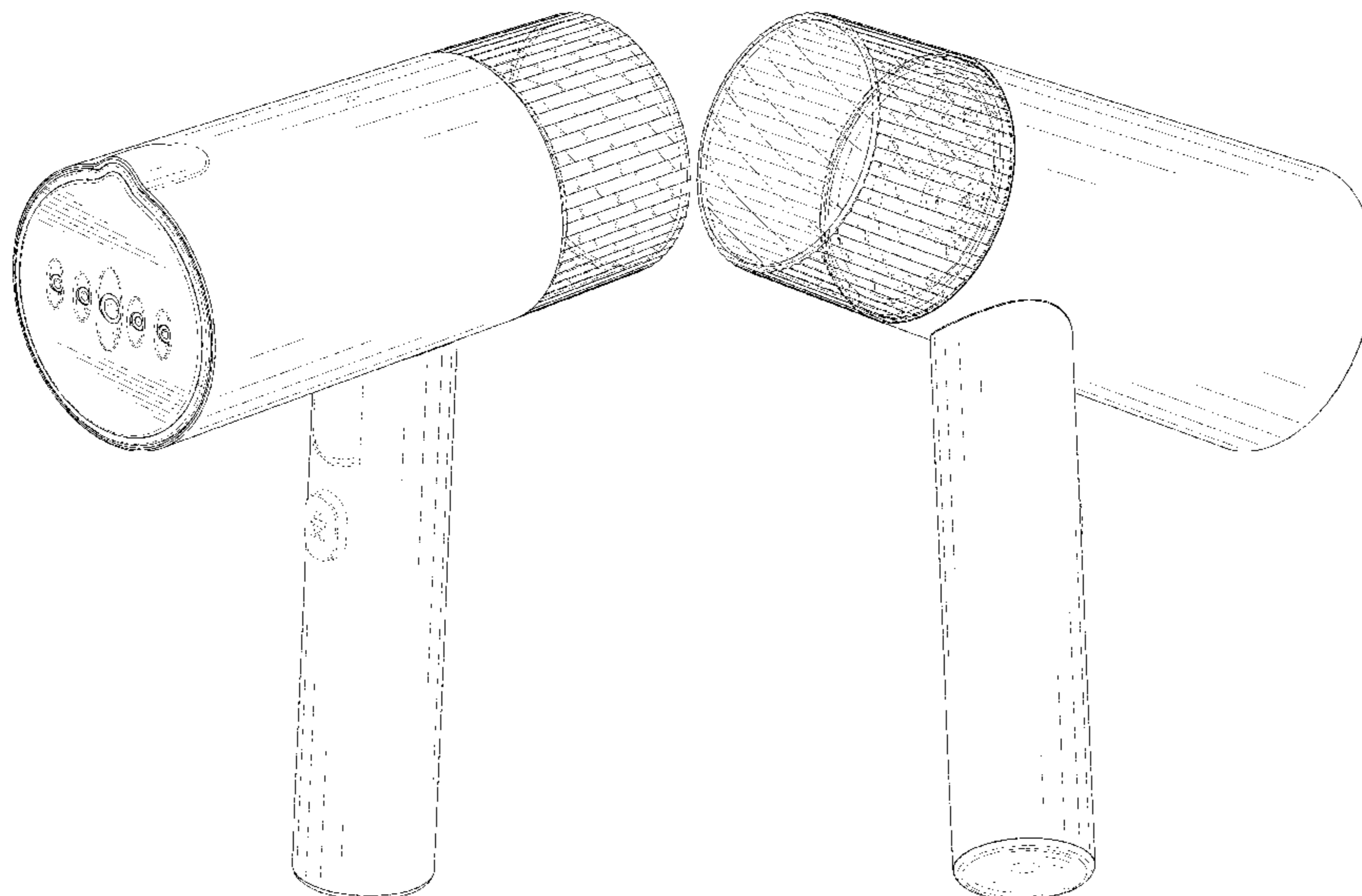
(56) **References Cited**

U.S. PATENT DOCUMENTS

4,571,483 A * 2/1986 Fathi D06F 87/00
392/404
D436,424 S * 1/2001 Buzzi D32/17
D481,183 S * 10/2003 Mangano D32/17
D576,363 S * 9/2008 Reiner D32/17
D592,365 S * 5/2009 Massip D32/17
D598,614 S * 8/2009 Lam
D611,208 S * 3/2010 Lam D32/17
D663,909 S * 7/2012 Andreesen D32/17
D776,887 S * 1/2017 Deffrennes D32/17
9,845,568 B2 * 12/2017 Fung D06F 87/00
D826,492 S * 8/2018 Huang D32/17

FIG. 1 is a perspective view of a garment steamer showing our new design;
FIG. 2 is another perspective view thereof;
FIG. 3 is a left side elevational view thereof;
FIG. 4 is a right side elevational view thereof;
FIG. 5 is a front elevational view thereof;
FIG. 6 is a rear elevational view thereof;
FIG. 7 is a top plan view thereof; and,
FIG. 8 is a bottom plan view thereof.
The broken lines in the drawings depict portions of the garment steamer that form no part of the claimed design.

1 Claim, 8 Drawing Sheets



(56)

References Cited

U.S. PATENT DOCUMENTS

D923,262 S * 6/2021 Li D32/17
11,174,589 B2 * 11/2021 Javit D06F 58/26
D940,412 S * 1/2022 Choe D32/17
D940,971 S * 1/2022 Yang D32/17
D942,098 S * 1/2022 Xing D32/17
D946,836 S * 3/2022 Huang D32/17
D955,072 S * 6/2022 Lewenhaupt Sandberg .. D32/17
11,365,511 B2 * 6/2022 Gelus D06F 87/00
2022/0152256 A1 * 5/2022 Bofill A61L 2/26

FOREIGN PATENT DOCUMENTS

CN 306065871 * 9/2020
CN 307119634 * 2/2022
CN 307170428 * 3/2022
CN 307464497 * 7/2022

* cited by examiner

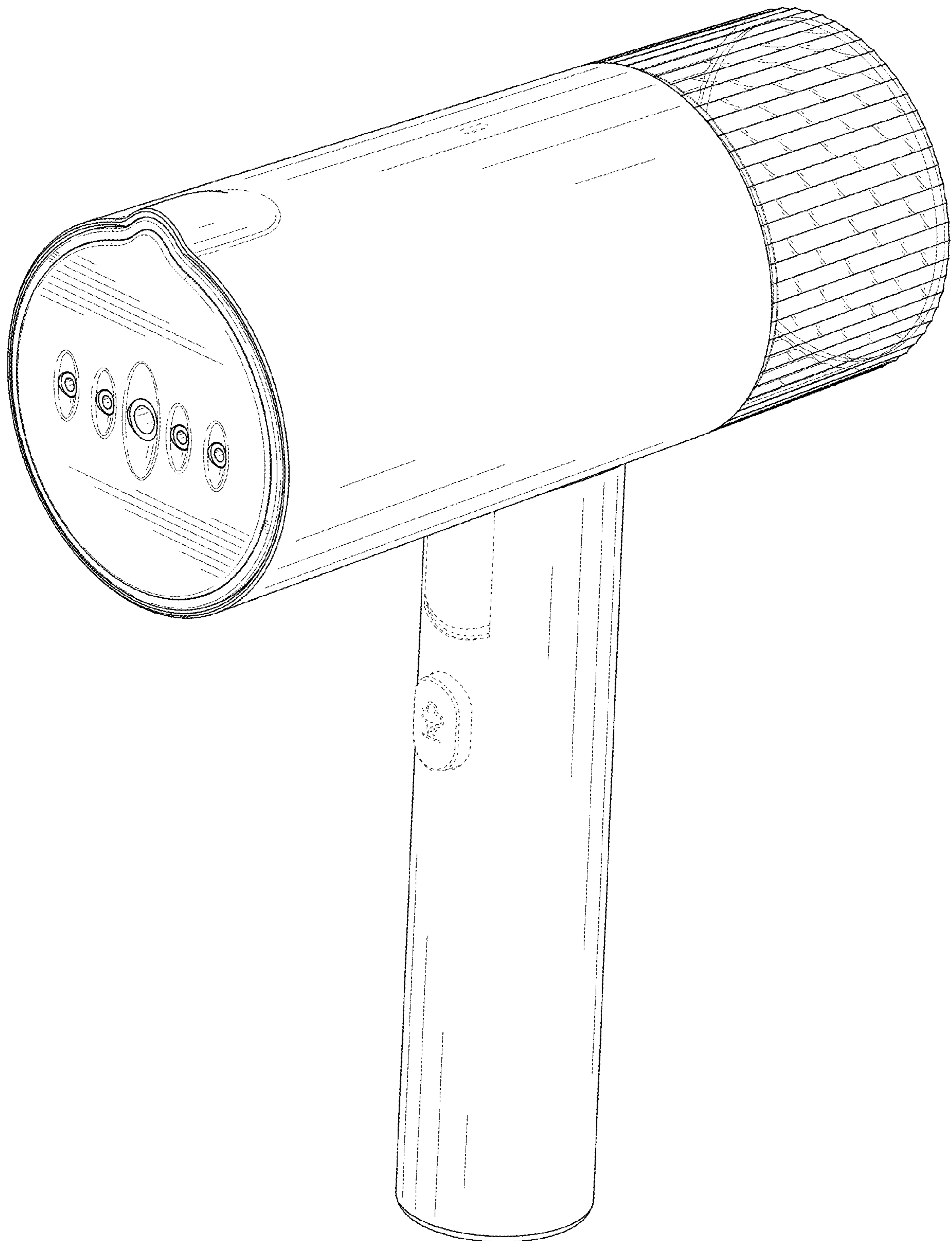


FIG. 1

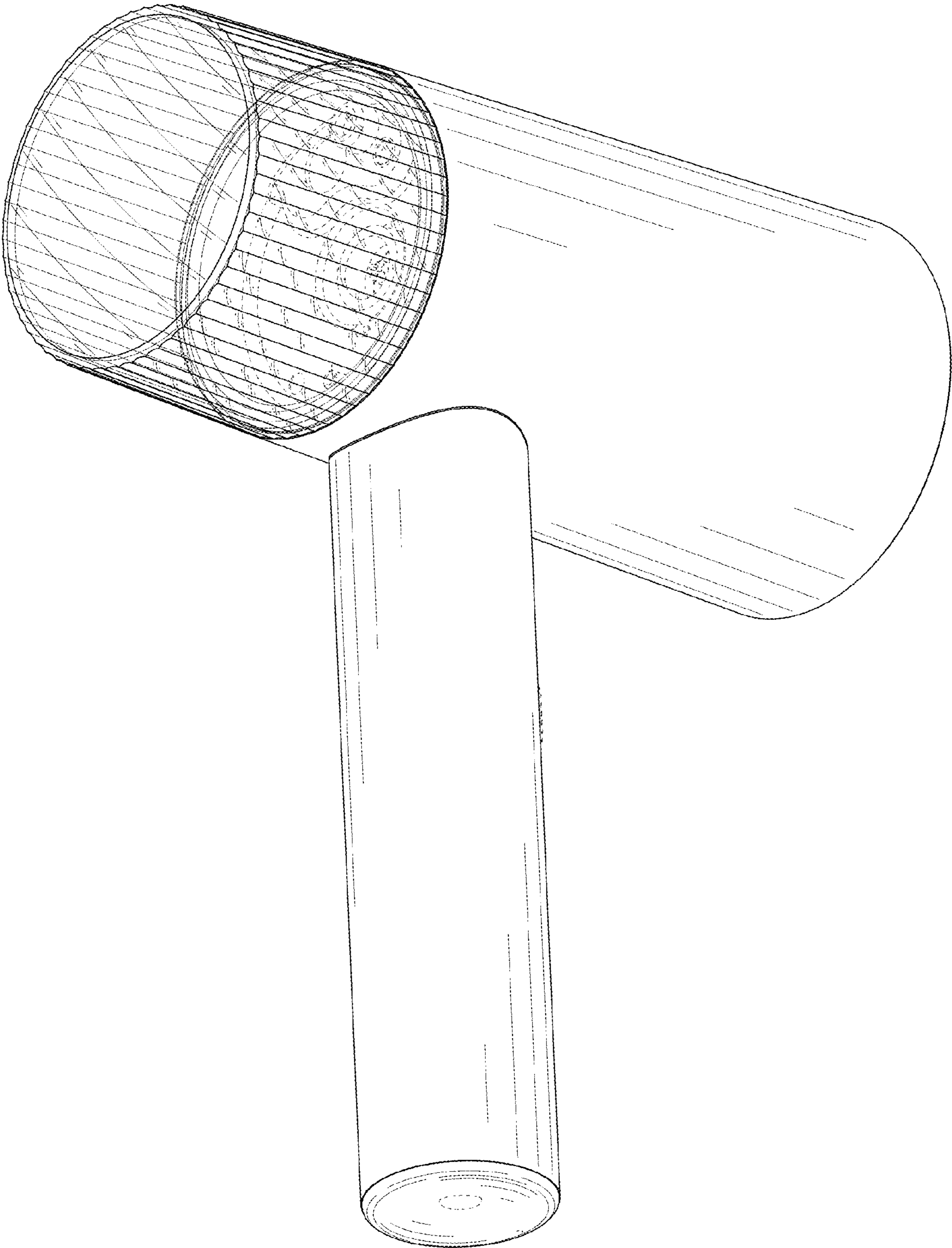


FIG. 2

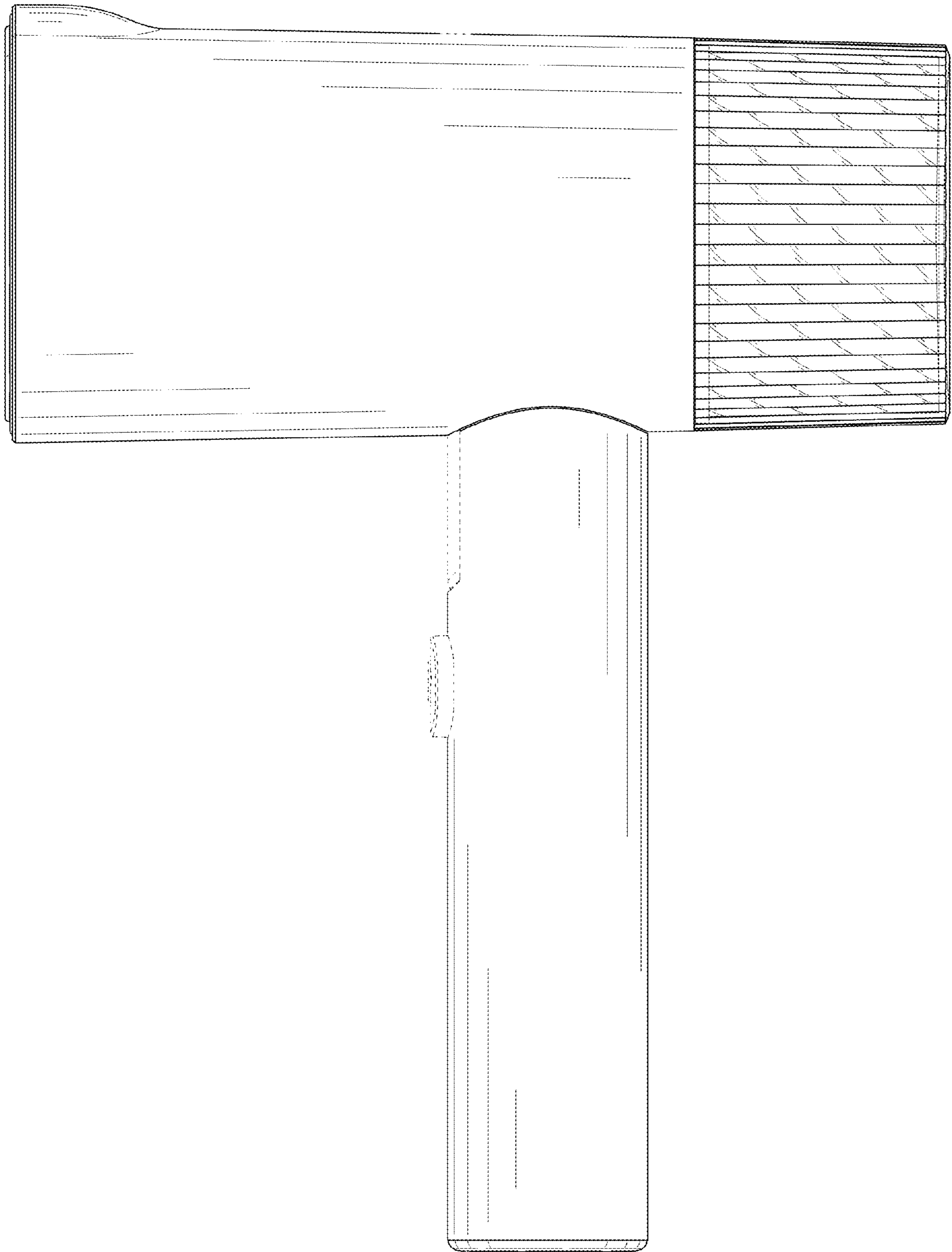


FIG. 3

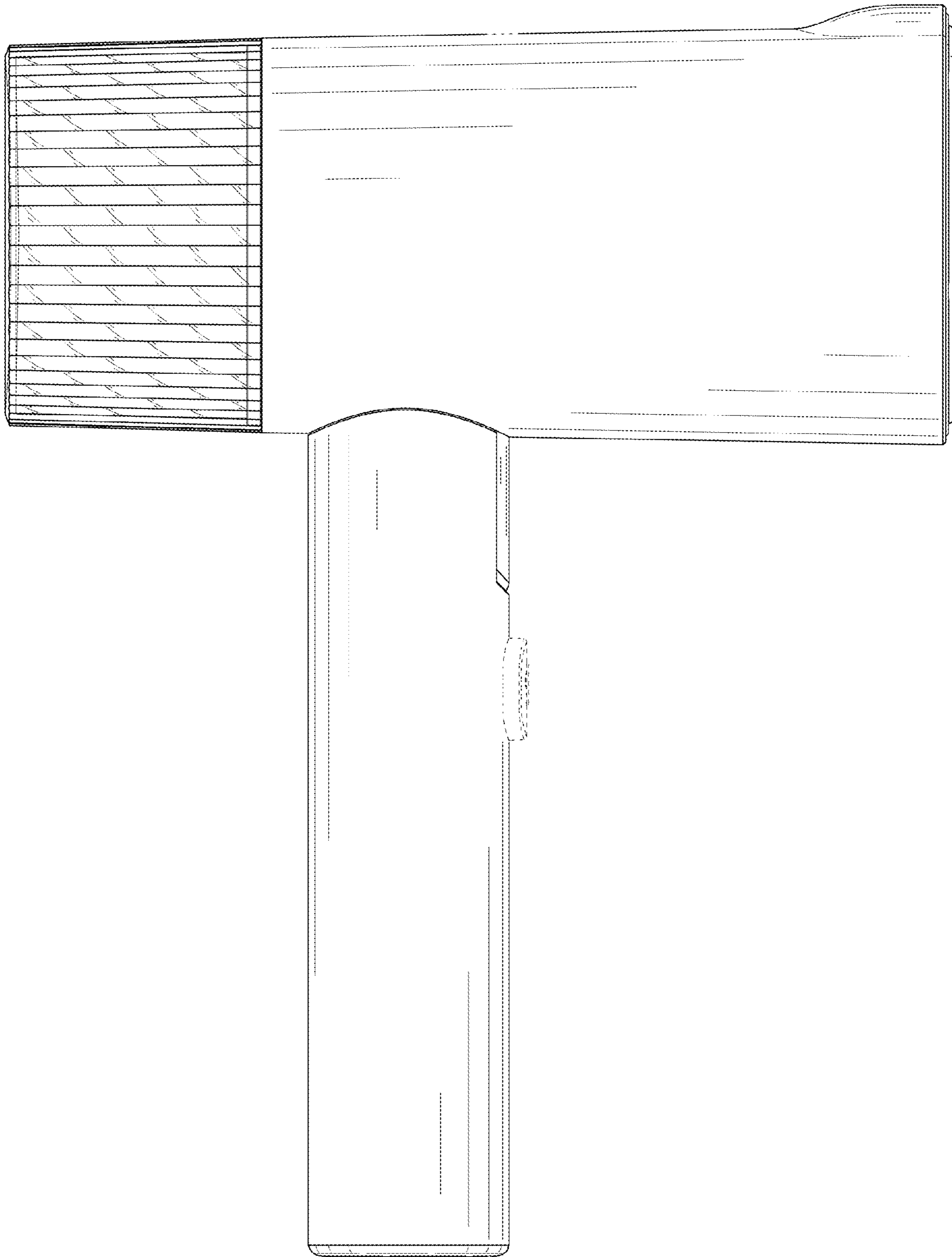


FIG. 4

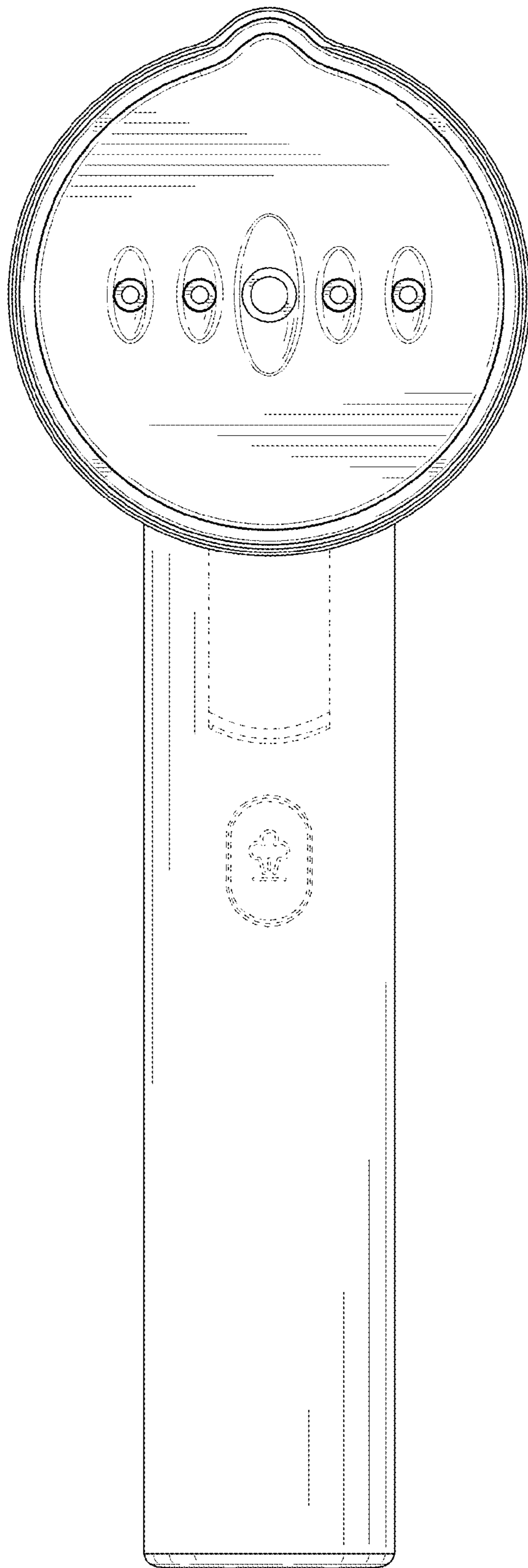


FIG. 5

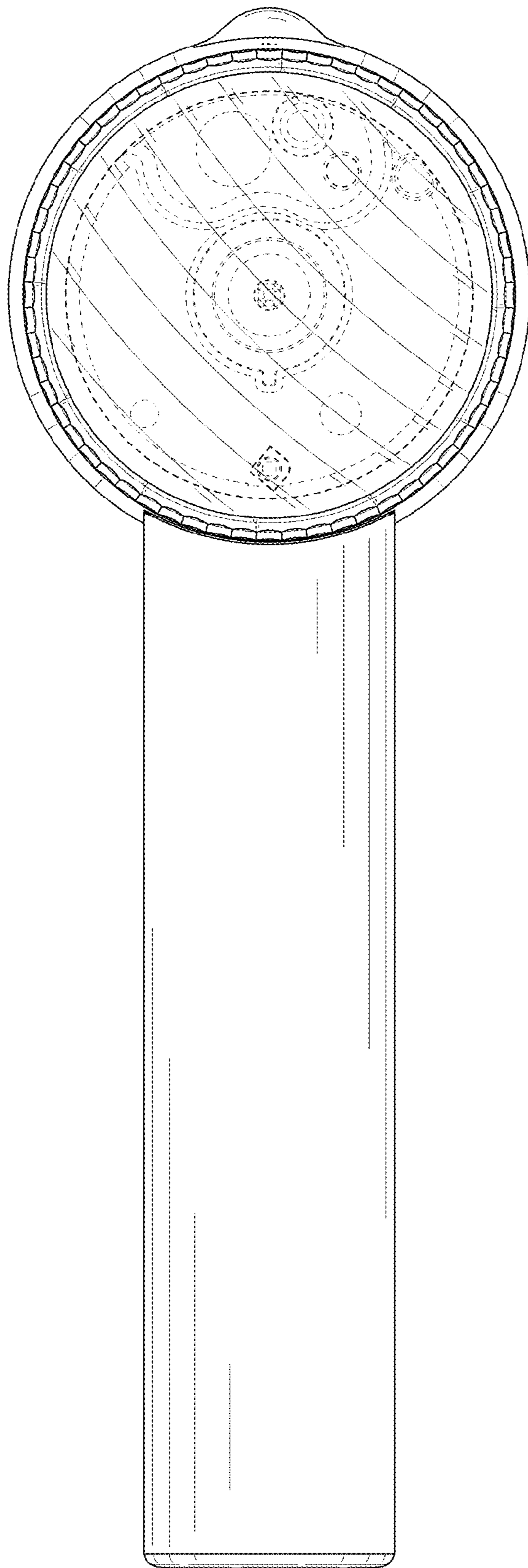


FIG. 6

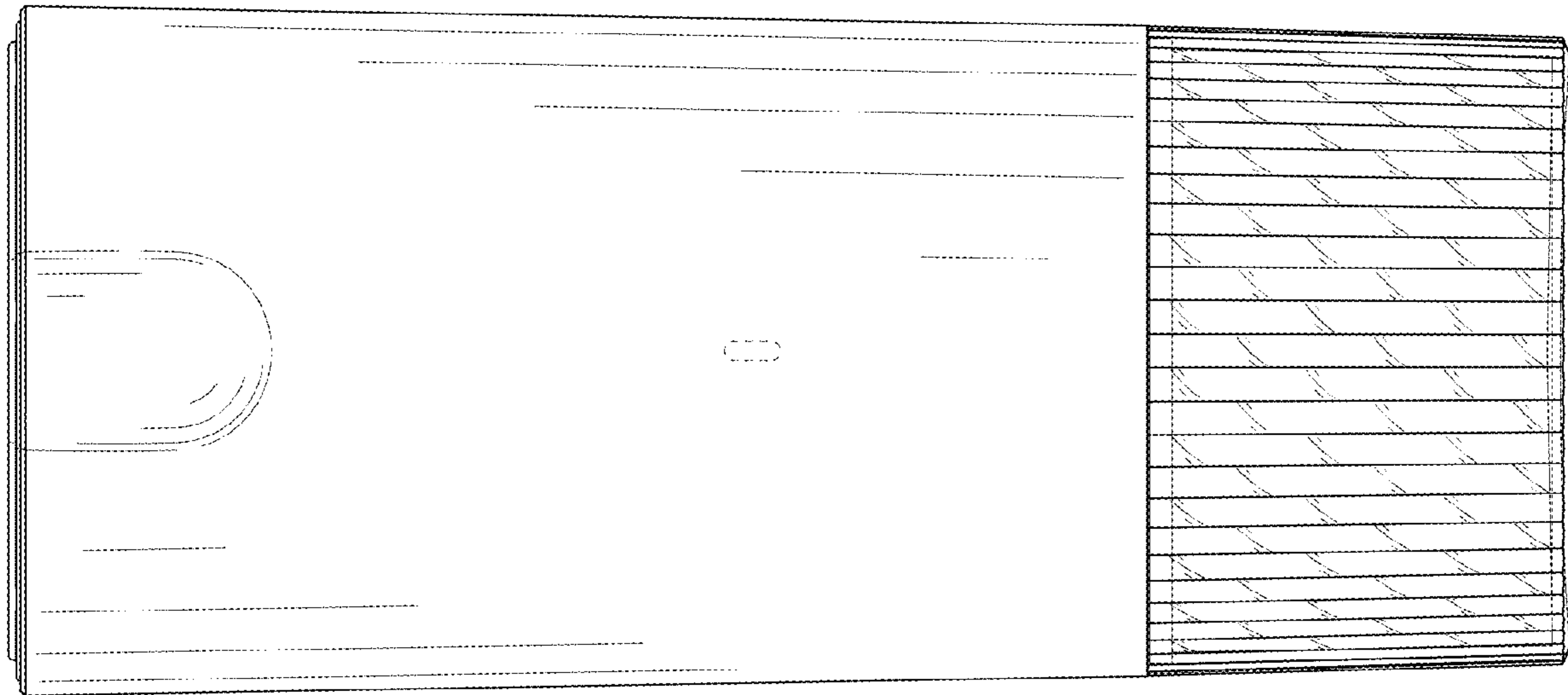


FIG. 7

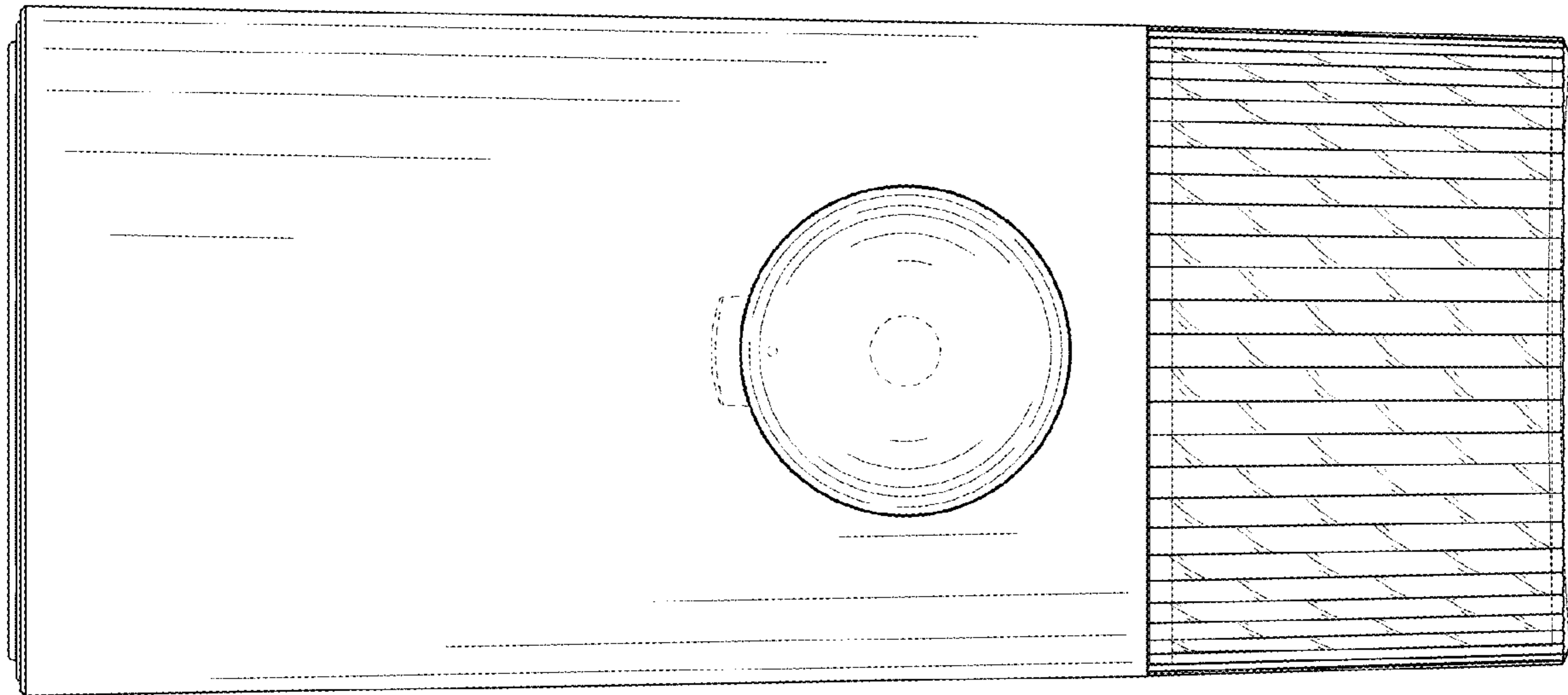


FIG. 8