



US00D975945S

(12) **United States Design Patent**  
**Zhang**

(10) **Patent No.:** **US D975,945 S**

(45) **Date of Patent:** **\*\* Jan. 17, 2023**

(54) **LEAF BLOWER**

(71) Applicant: **Ningbo Babytec Maternal & Infant Technology Co., Ltd., Zhejiang (CN)**

(72) Inventor: **Huajie Zhang, Zhejiang (CN)**

(73) Assignee: **Ningbo Babytec Maternal & Infant Technology Co., Ltd., Zhejiang (CN)**

(\*\*) Term: **15 Years**

(21) Appl. No.: **29/856,698**

(22) Filed: **Oct. 17, 2022**

(51) **LOC (14) Cl.** ..... **15-05**

(52) **U.S. Cl.**  
USPC ..... **D32/15; D15/12**

(58) **Field of Classification Search**  
USPC ..... D15/12; D32/15; D23/213  
CPC ..... A01G 20/40; A01G 20/43; A01G 20/47;  
A01M 13/00; A01M 1/2022; A01M  
1/2038; B01F 23/21321; B01F 35/7179  
See application file for complete search history.

(56) **References Cited**

**U.S. PATENT DOCUMENTS**

D297,274 S *	8/1988	Komiya	.....	D32/15
D349,983 S *	8/1994	Tuggle	.....	D32/15
D416,360 S *	11/1999	Enkyo	.....	D32/15
D471,680 S	3/2003	Tokumaru et al.		
D746,004 S *	12/2015	Murray	.....	D15/12
D748,877 S *	2/2016	Tirone	.....	D15/12
D798,513 S *	9/2017	Tinius	.....	D32/15
D809,227 S *	1/2018	Tinius	.....	D15/12
D853,669 S *	7/2019	Qiu	.....	D15/12
D854,264 S *	7/2019	Tucker	.....	D15/12
D854,265 S *	7/2019	Wachter	.....	D15/12
D868,398 S *	11/2019	Tinius	.....	D15/12
D872,951 S *	1/2020	Mehra	.....	D15/12

D877,779 S *	3/2020	Dretzka	.....	D15/12
D882,191 S *	4/2020	Baxter	.....	D15/12
D926,397 S *	7/2021	Dretzka	.....	D15/12
D940,825 S *	1/2022	Qiao	.....	D23/226
D942,718 S *	2/2022	Wang	.....	D32/15
D948,140 S *	4/2022	Chen	.....	D15/12

(Continued)

**OTHER PUBLICATIONS**

Seyvum, Leaf Blower—320CFM 150MPH 20V, (site visited Oct. 28, 2022), Amazon.com, URL:<<https://www.amazon.com/SEYVUM-Leaf-Blower-Cordless-Lightweight/dp/B09PV56HVB>> (Year: 2022).\*

(Continued)

*Primary Examiner* — Calvin E Vansant

*Assistant Examiner* — Mark T. Philipps

(74) *Attorney, Agent, or Firm* — ScienBiziP, P.C.

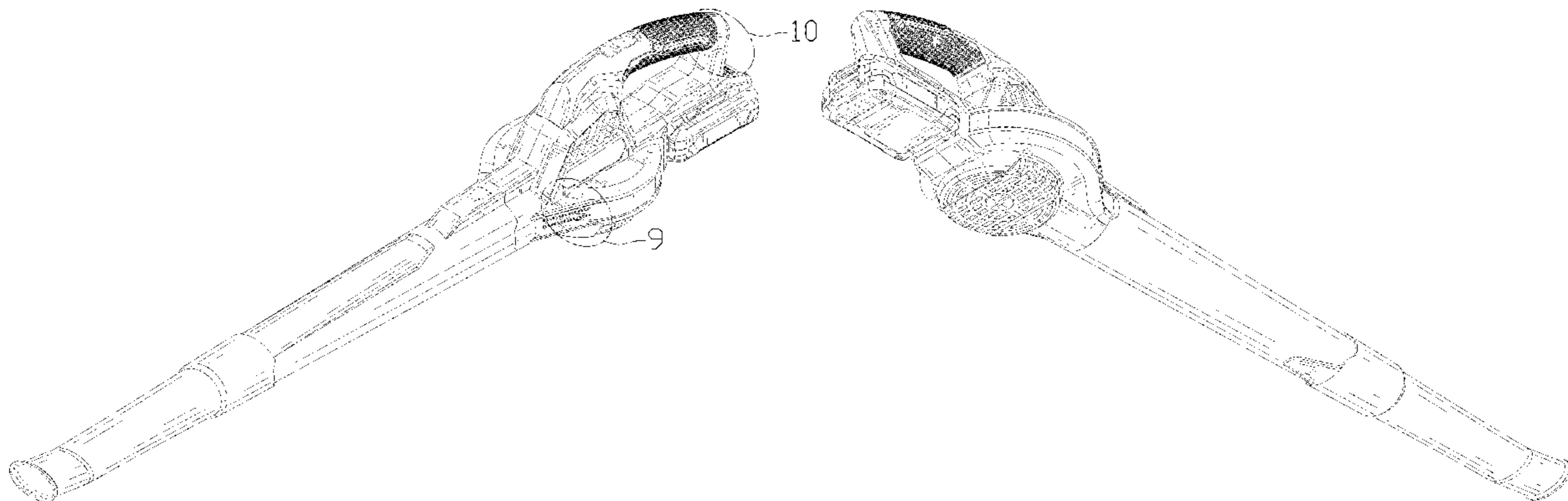
(57) **CLAIM**

The ornamental design for a leaf blower, as shown and described.

**DESCRIPTION**

FIG. 1 is a front, right and top perspective view of a leaf blower, showing my design.  
FIG. 2 is a rear, left and bottom perspective view thereof.  
FIG. 3 is a front elevation view thereof.  
FIG. 4 is a rear elevation view thereof.  
FIG. 5 is a left side elevation view thereof.  
FIG. 6 is a right side elevation view thereof.  
FIG. 7 is a top plan view thereof.  
FIG. 8 is a bottom plan view thereof.  
FIG. 9 is an enlarged view of detail 9 in FIG. 1; and,  
FIG. 10 is an enlarged view of detail 10 in FIG. 1.  
The broken lines depict portions of the leaf blower that form no part of the claimed design. In addition, the dot-dash broken lines in FIGS. 1, 9, and 10 depict the boundaries of the enlargements that form no part of the claimed design.

**1 Claim, 10 Drawing Sheets**



(56)

**References Cited**

U.S. PATENT DOCUMENTS

2014/0234130 A1\* 8/2014 Yamaoka ..... F04D 25/0673  
417/234  
2017/0260985 A1\* 9/2017 Gao ..... F04D 25/084

OTHER PUBLICATIONS

Aoetree, Lightweight Electric Blower with 2 Batteries, (site visited Oct. 28, 2022), Amazon.com, URL:<<https://www.amazon.com/dp/B0BCYWQVP5>> (Year: 2022).\*

Workshopedia, Best Cordless Leaf Blower 2021, (Feb. 10, 2021), Workshopedia website, URL:<<https://workshopedia.com/best-cordless-leaf-blower/>> (Year: 2021).\*

\* cited by examiner

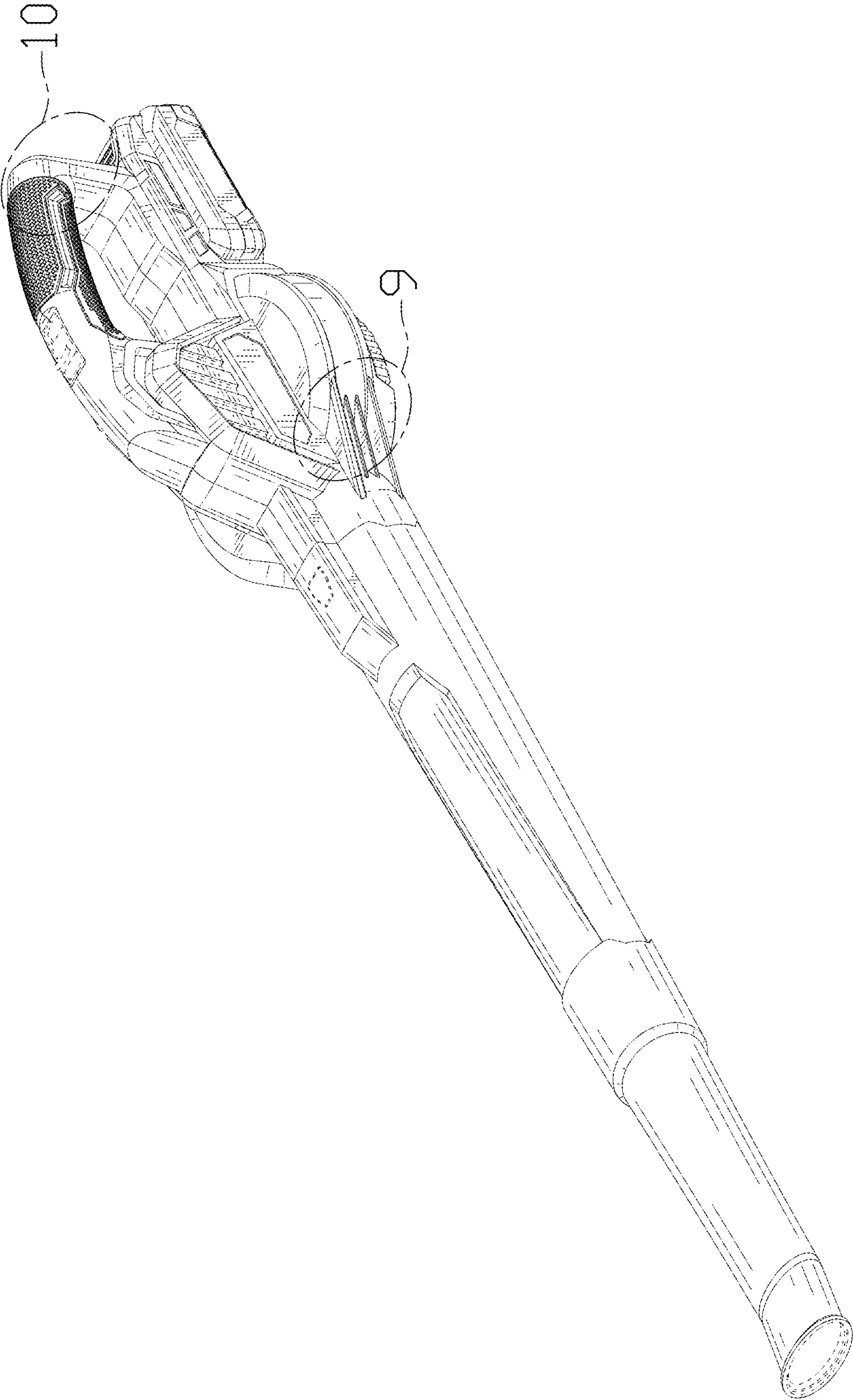


FIG. 1

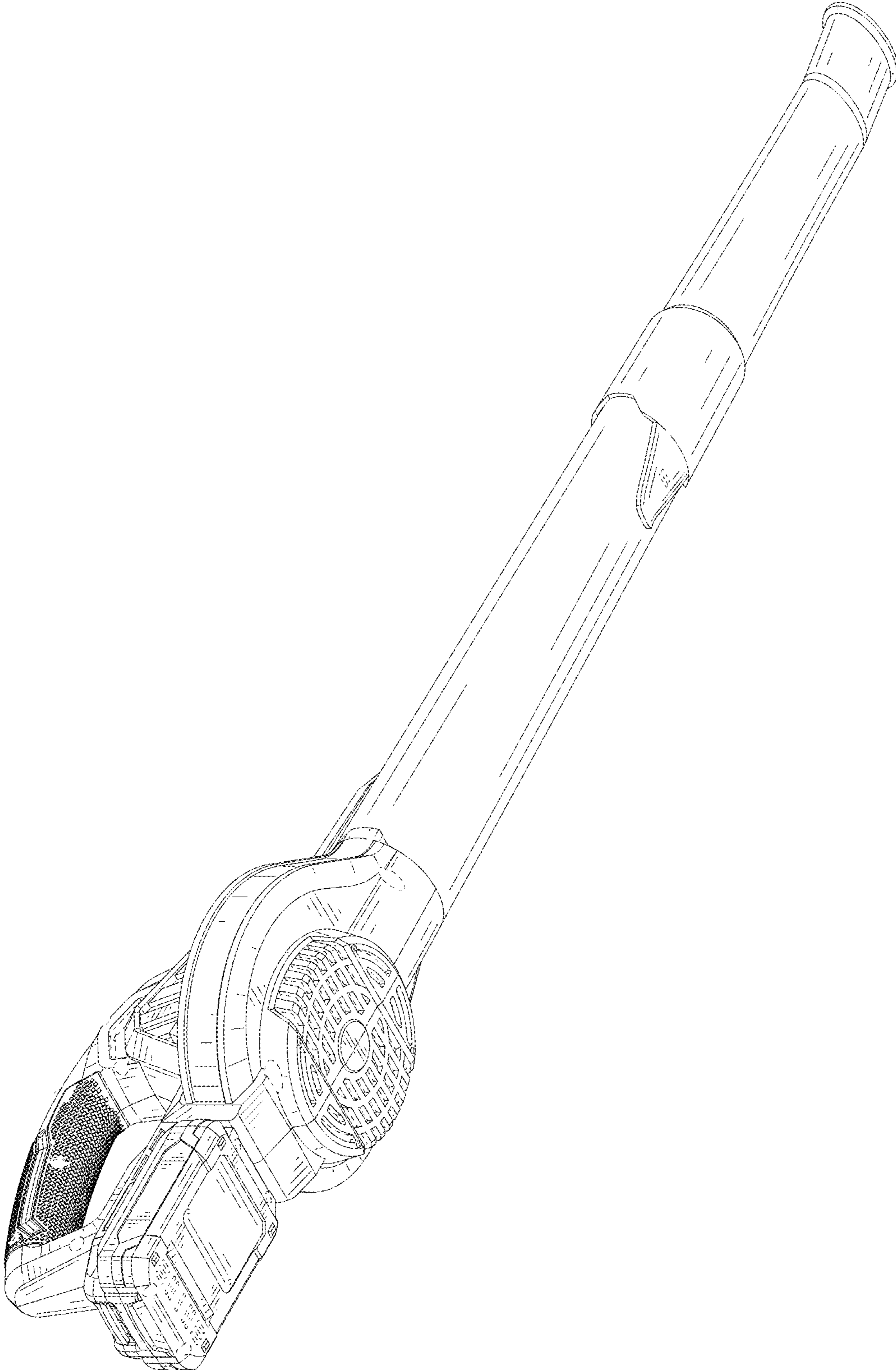


FIG. 2

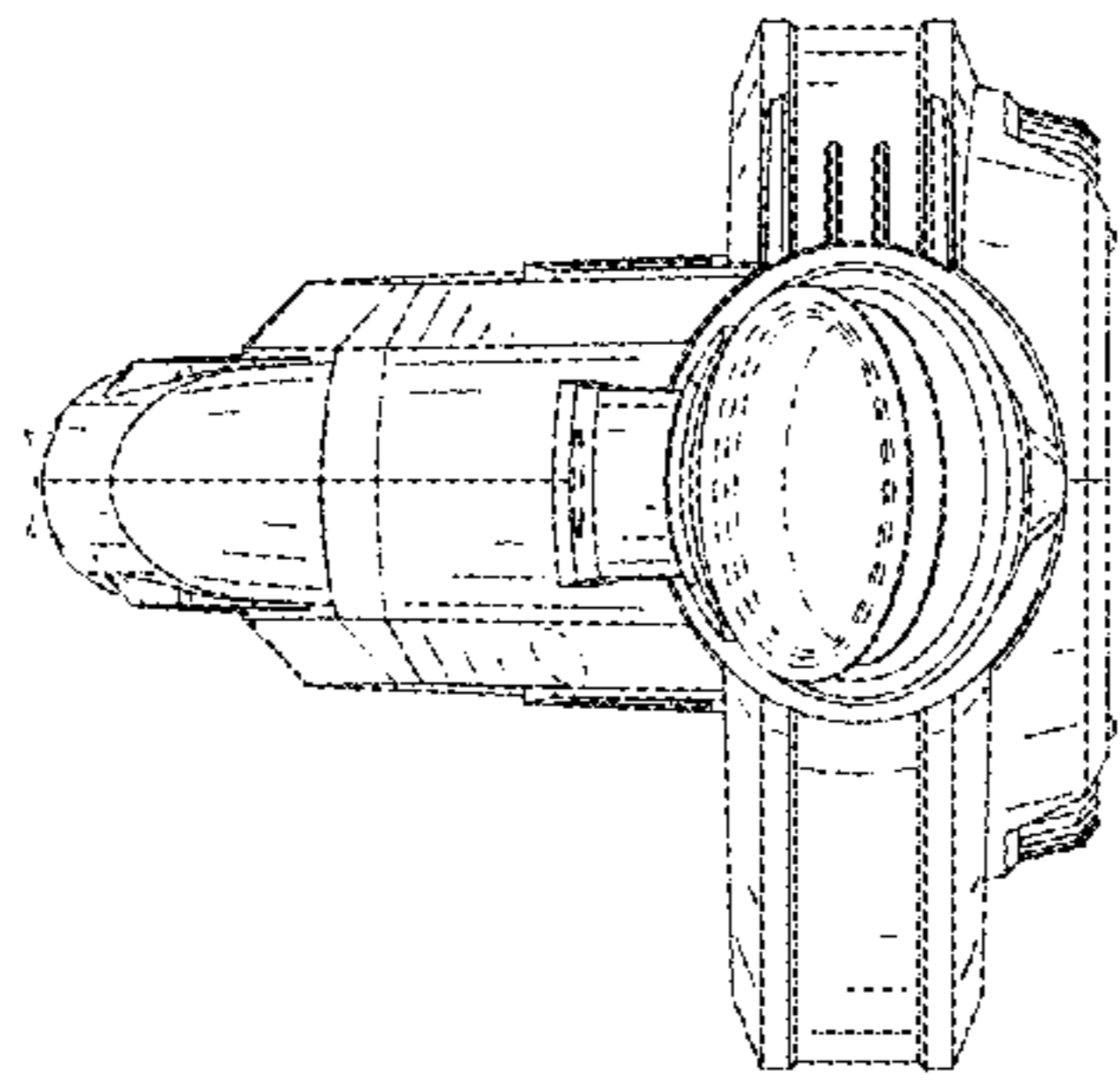


FIG. 3

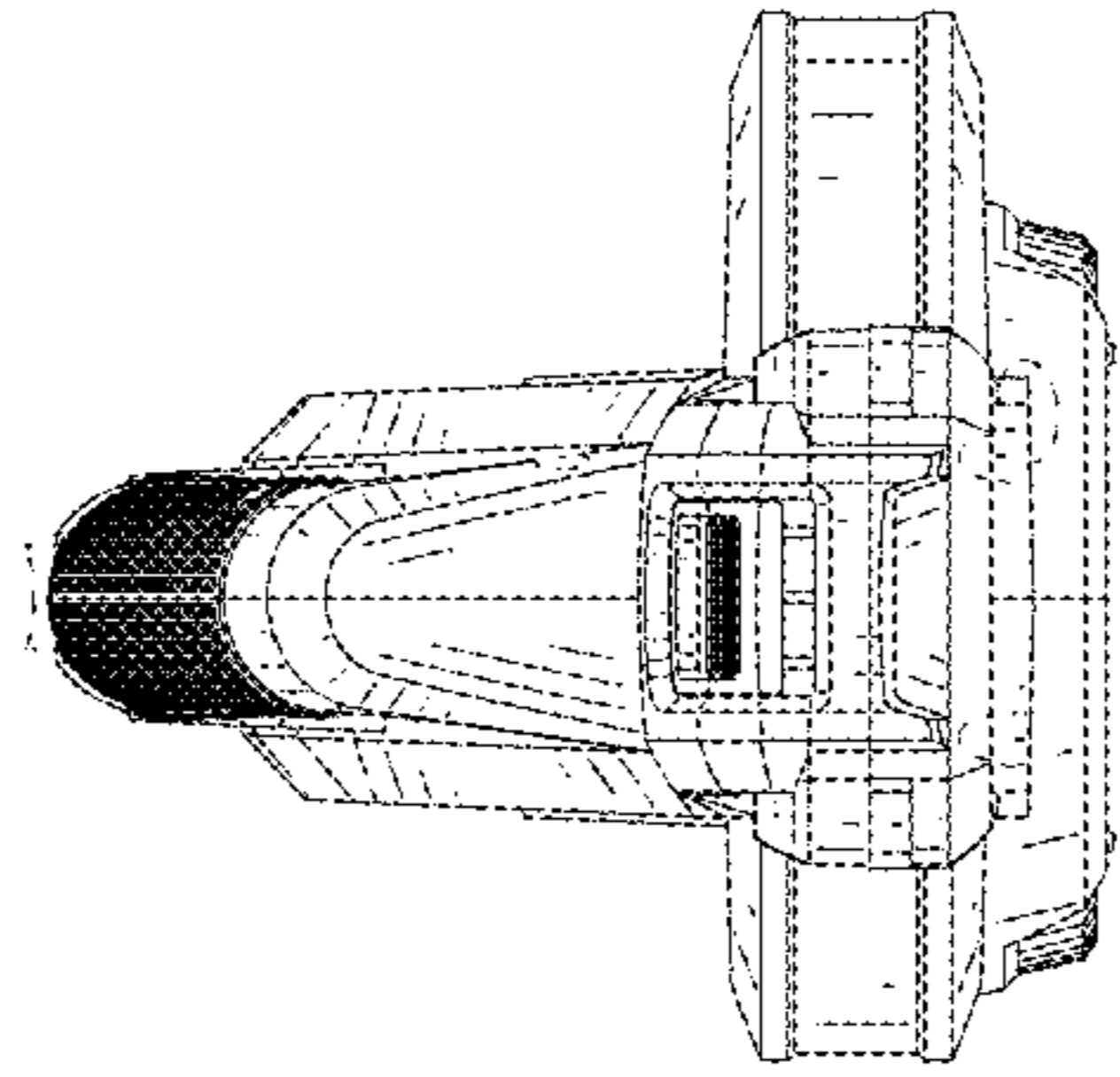


FIG. 4

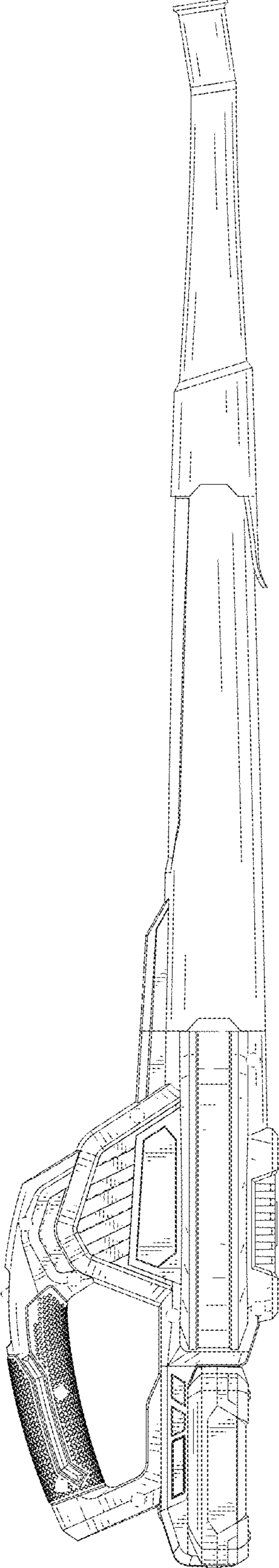


FIG. 5

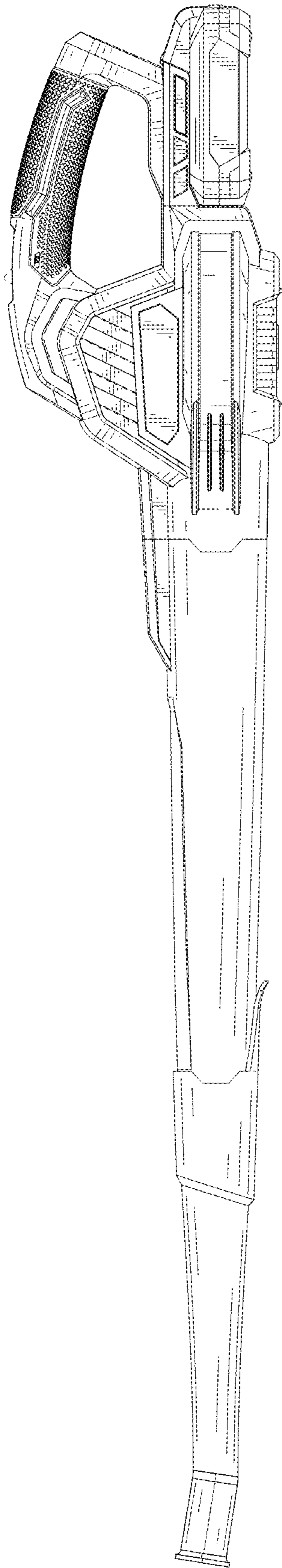


FIG. 6



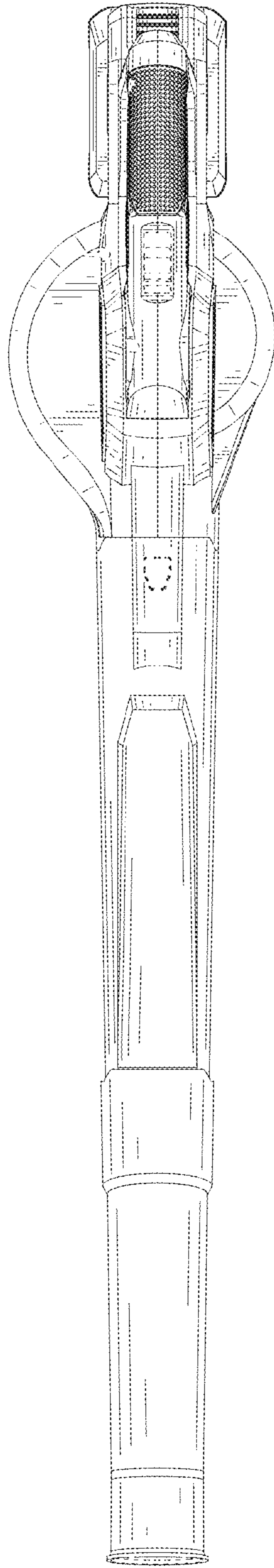


FIG. 7

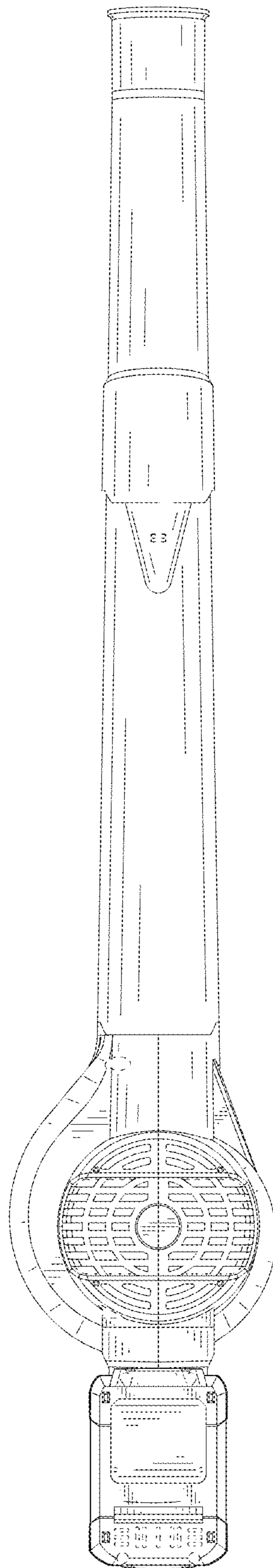


FIG. 8

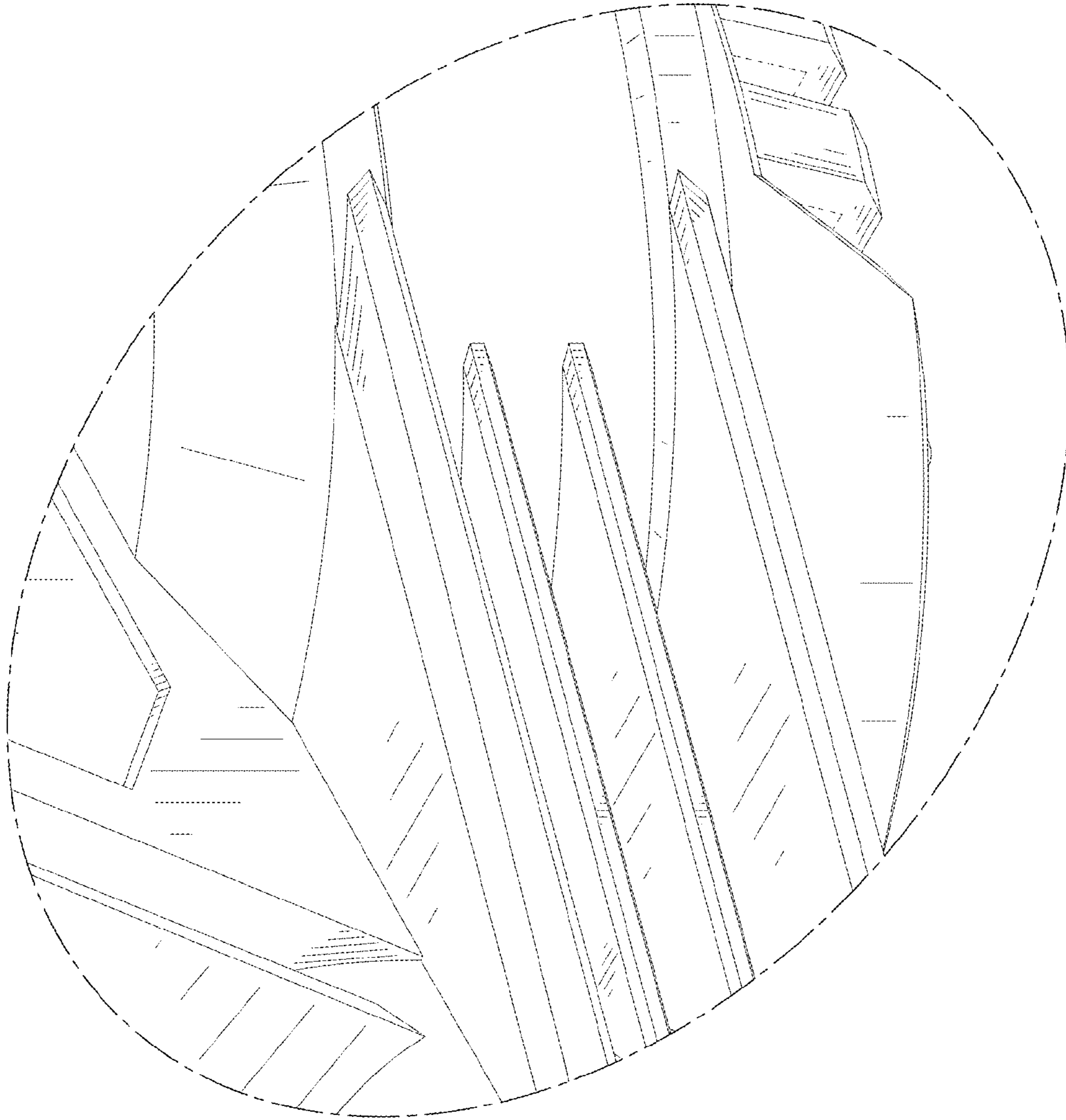


FIG. 9

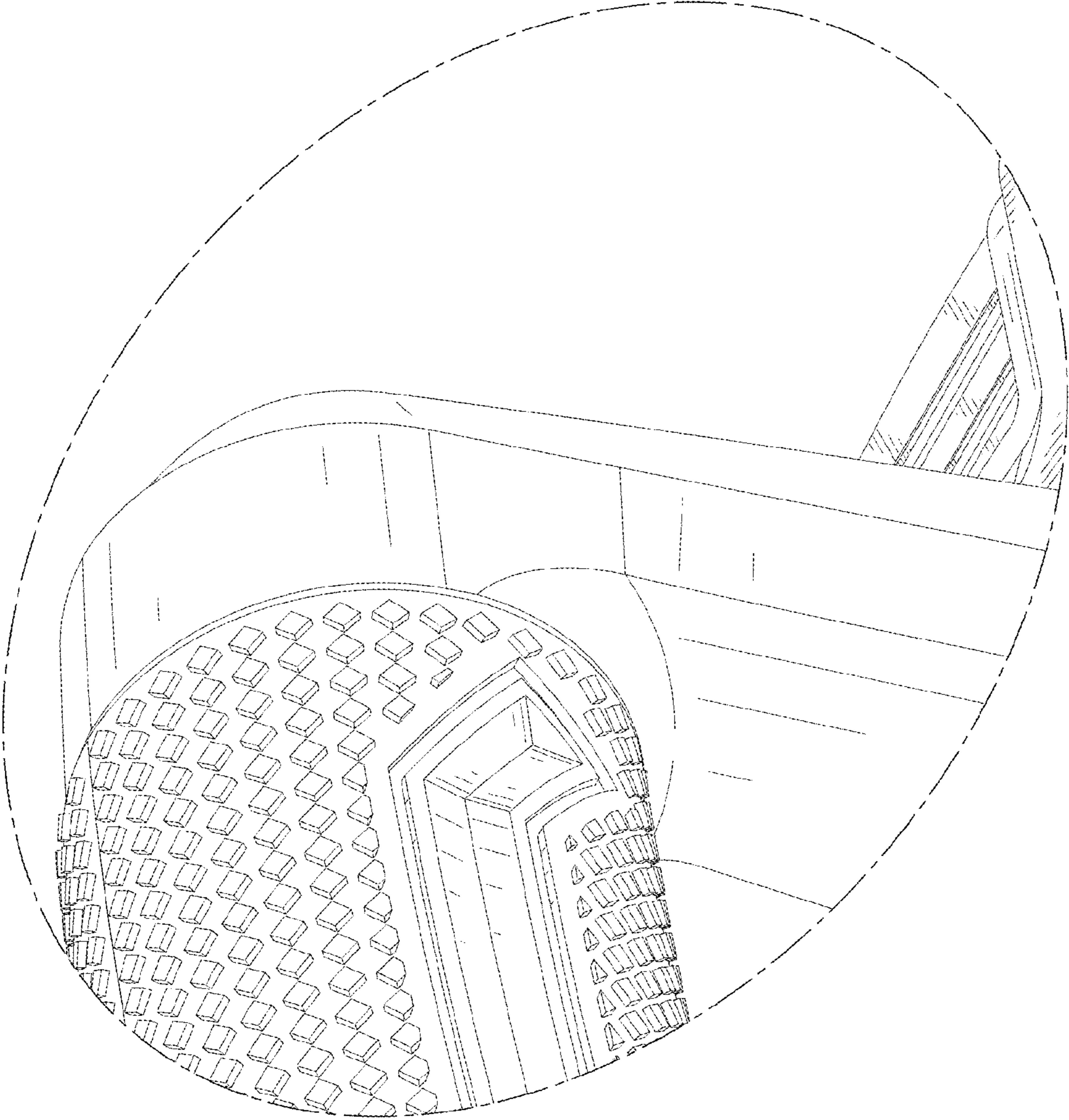


FIG. 10