



US00D975944S

(12) **United States Design Patent**
Jiang et al.

(10) **Patent No.:** **US D975,944 S**
(45) **Date of Patent:** **** Jan. 17, 2023**

(54) **ROBOT VACUUM CLEANER**
(71) Applicant: **Dreame Innovation Technology**
(Suzhou) Co., Ltd., Suzhou (CN)

D921,308 S * 6/2021 Cao D32/21
D921,309 S * 6/2021 Liu D32/21
D922,011 S * 6/2021 Ren D32/21
D927,108 S * 8/2021 Choi D32/21
(Continued)

(72) Inventors: **Nan Jiang, Suzhou (CN); Ning Nie,**
Suzhou (CN)

FOREIGN PATENT DOCUMENTS

(73) Assignee: **Dreame Innovation Technology**
(Suzhou) Co., Ltd., Suzhou (CN)

CN 305093025 S 4/2019
CN 305093026 S 4/2019
(Continued)

(**) Term: **15 Years**

OTHER PUBLICATIONS

(21) Appl. No.: **29/762,412**

Amazon.com—Dreame D9 Pro Robot Vacuum https://www.amazon.com/dp/B0978ZBZNK/ref=sspa_dk_detail_2 (Year: 2021).*
(Continued)

(22) Filed: **Dec. 16, 2020**

(30) **Foreign Application Priority Data**

Aug. 11, 2020 (CN) 202030454246.2

(51) **LOC (14) Cl.** **15-05**

(52) **U.S. Cl.**
USPC **D32/15**

(58) **Field of Classification Search**
USPC D8/70; D15/199; D16/230; D32/1, 21,
D32/31
CPC A47L 9/009; A47L 2201/00; A47L 13/10;
A47L 13/00; A47L 11/32; A47L 11/24;
A47L 11/00; A47L 11/02
See application file for complete search history.

Primary Examiner — Kevin K Rudzinski
Assistant Examiner — Richard E Yenchesky
(74) *Attorney, Agent, or Firm* — Westbridge IP LLC

(57) **CLAIM**

The ornamental design for a robot vacuum cleaner, as shown and described.

DESCRIPTION

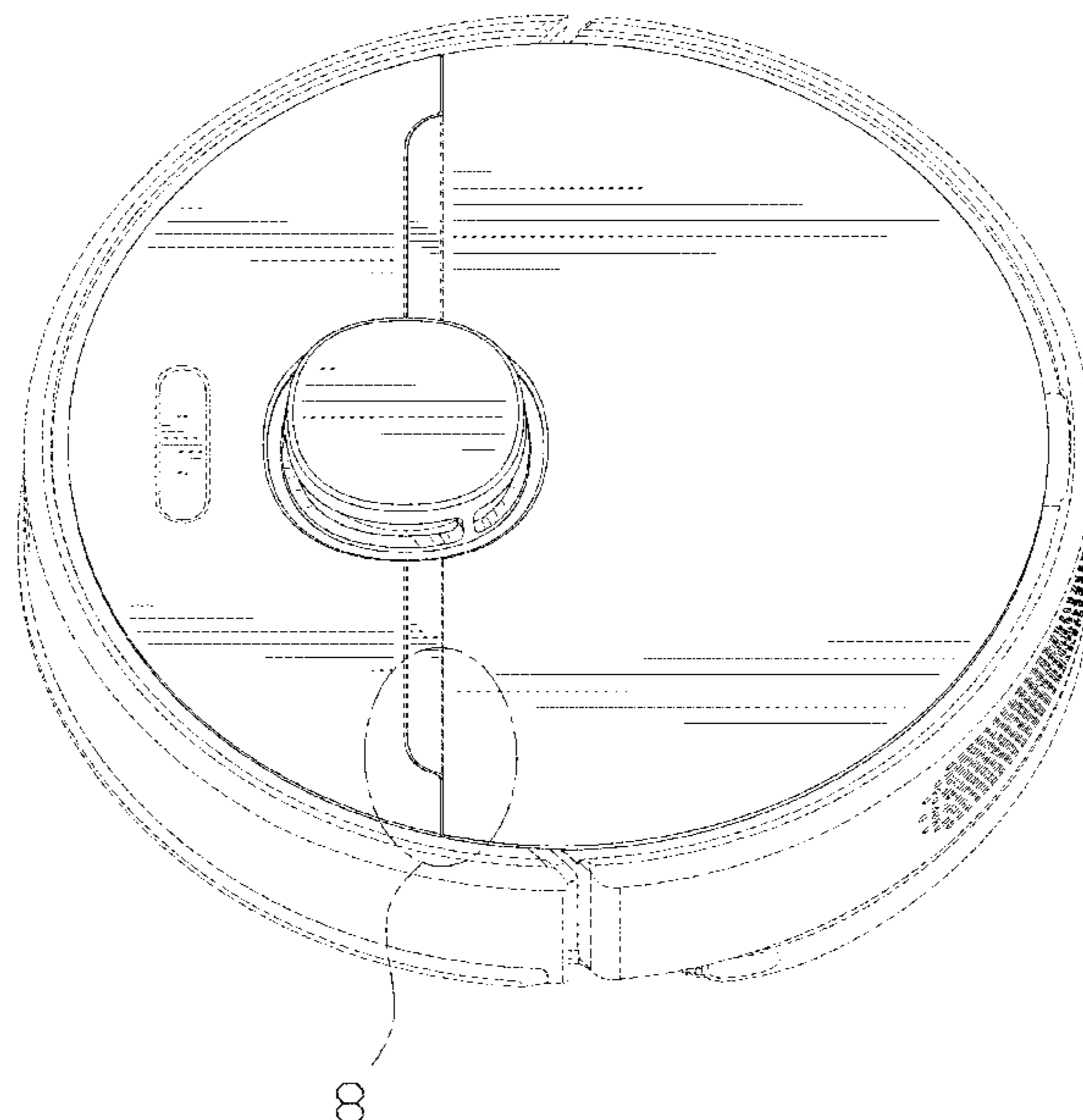
FIG. 1 is a top perspective view of a robot vacuum cleaner showing our new design;
FIG. 2 is a front elevational view thereof;
FIG. 3 is a rear elevational view thereof;
FIG. 4 is a left side elevational view thereof;
FIG. 5 is a right side elevational view thereof;
FIG. 6 is a top plan view thereof;
FIG. 7 is a bottom plan view thereof; and,
FIG. 8 is an enlarged view of the portion indicated by line 8 in FIG. 1.
The broken lines in the drawings depict portions of the robot vacuum cleaner that form no part of the claimed design.

(56) **References Cited**

U.S. PATENT DOCUMENTS

D840,617 S * 2/2019 Dou D32/21
D869,109 S * 12/2019 Yu D32/21
D884,298 S * 5/2020 Li D32/21
D901,110 S * 11/2020 Li A47L 9/009
D32/21
D917,117 S * 4/2021 Cao D32/21
D919,211 S * 5/2021 Chang D32/21

1 Claim, 8 Drawing Sheets



(56)

References Cited

U.S. PATENT DOCUMENTS

D935,712 S * 11/2021 Wang D32/21
D938,116 S * 12/2021 Yu D32/21

FOREIGN PATENT DOCUMENTS

CN 305878499 S 6/2020
TW 213736-0001 * 9/2021

OTHER PUBLICATIONS

Dreamer Sweeping Robot (D9), Available at www.amazon.co.jp,
Date first available on Dec. 9, 2020, retrieved from <https://www.amazon.co.jp/dp/b08q34hsk1> on Aug. 3, 2021.

* cited by examiner

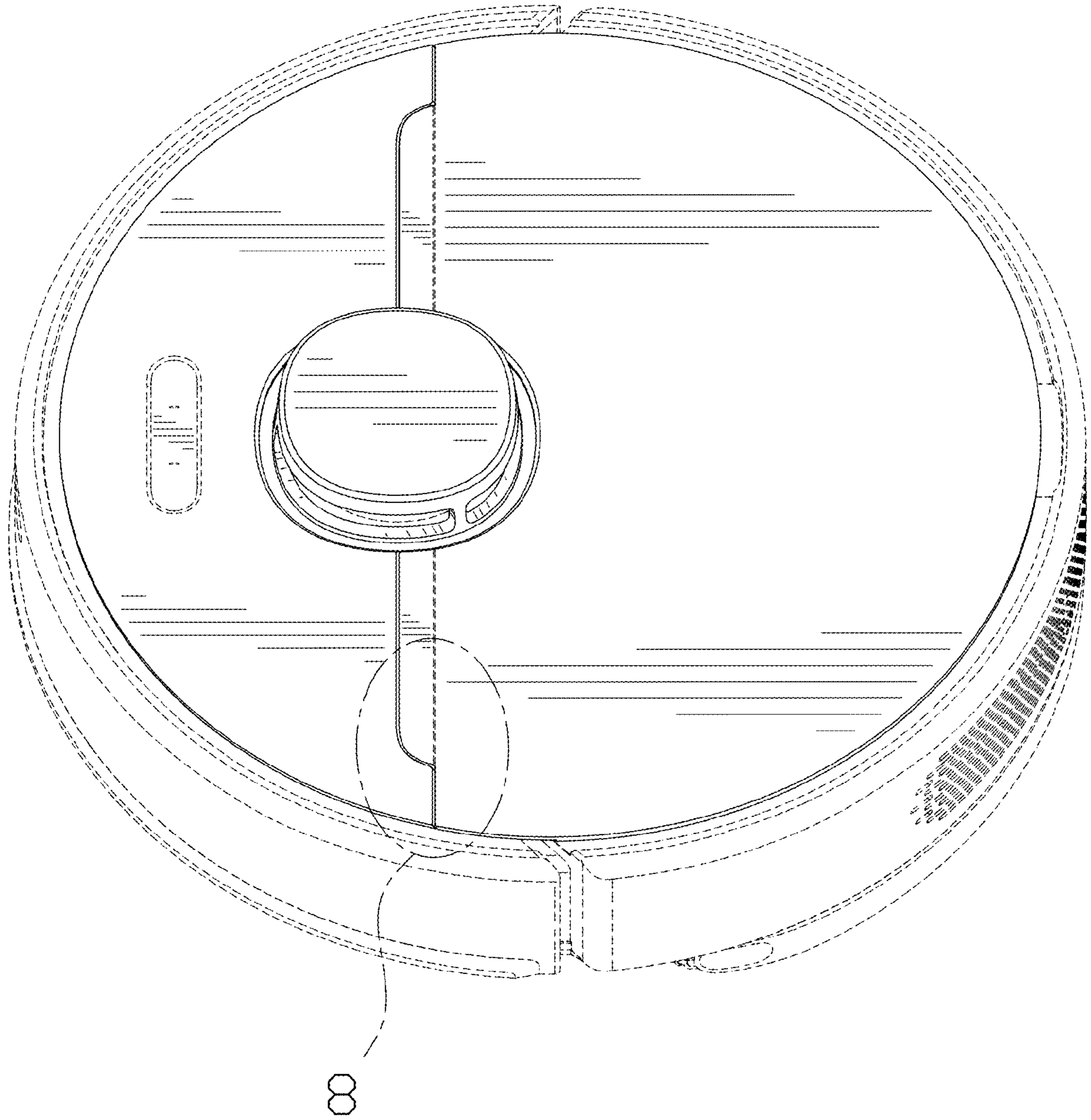


FIG. 1

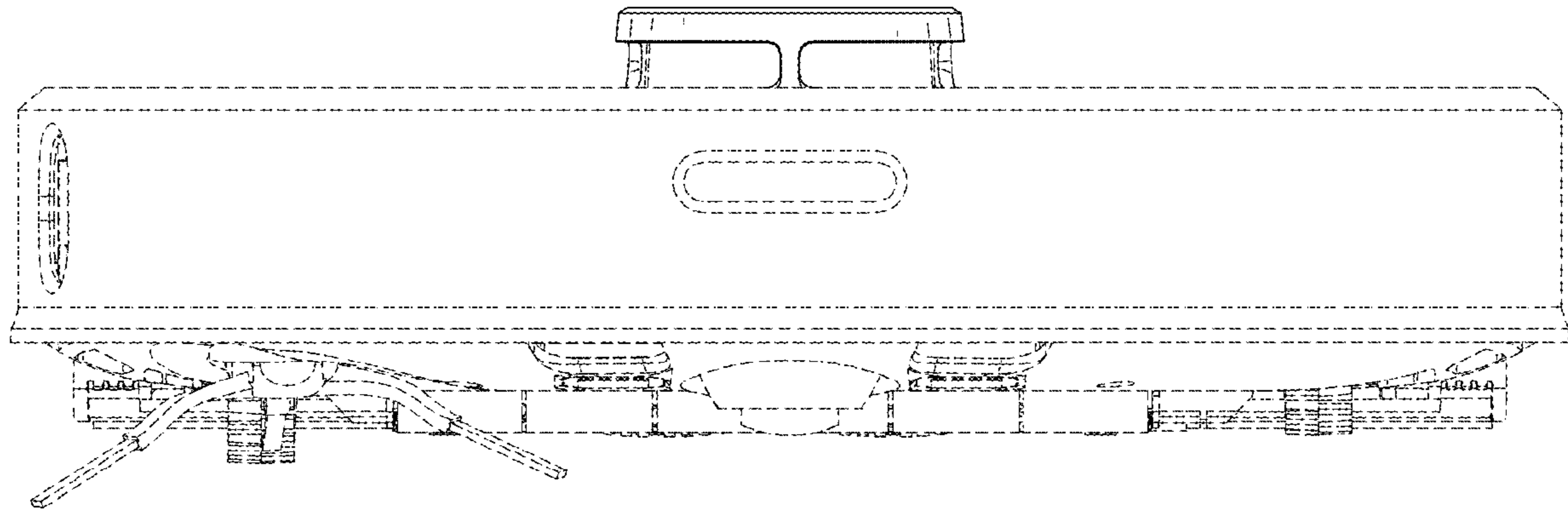


FIG. 2

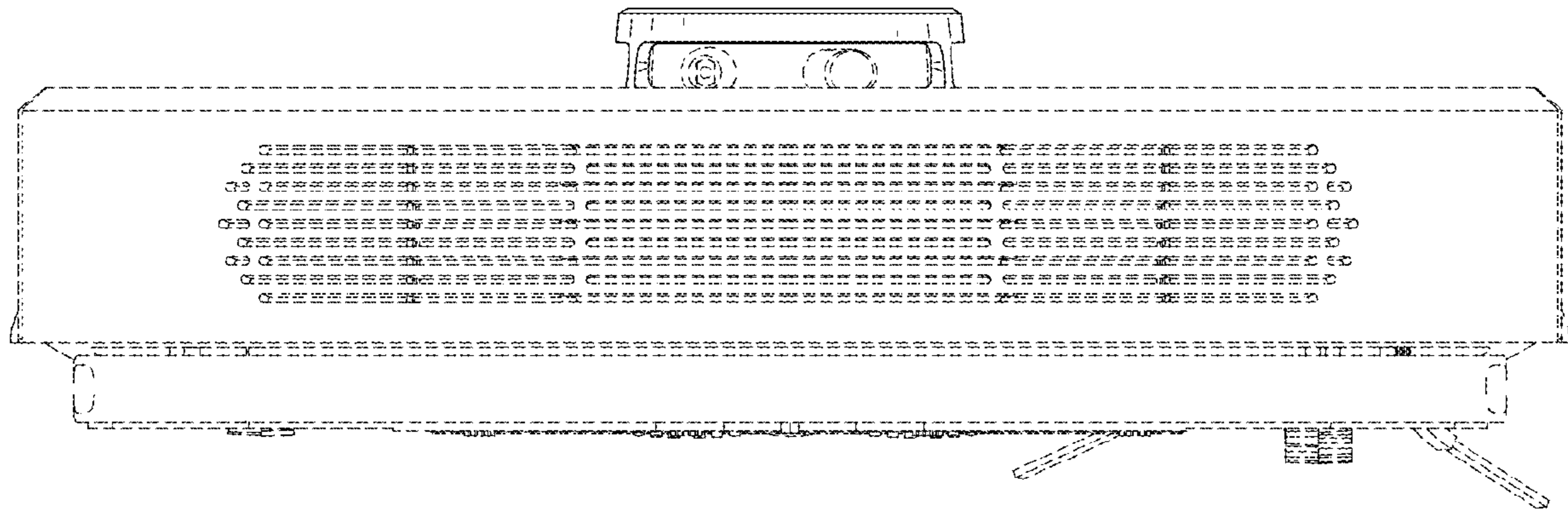


FIG. 3

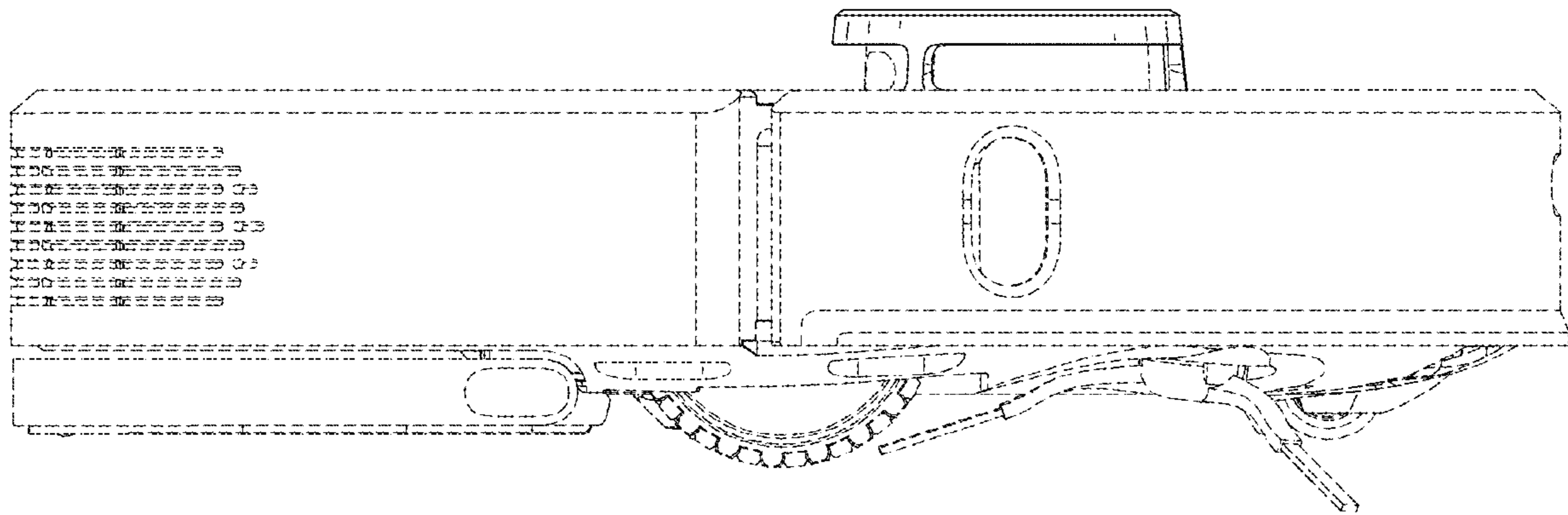


FIG. 4

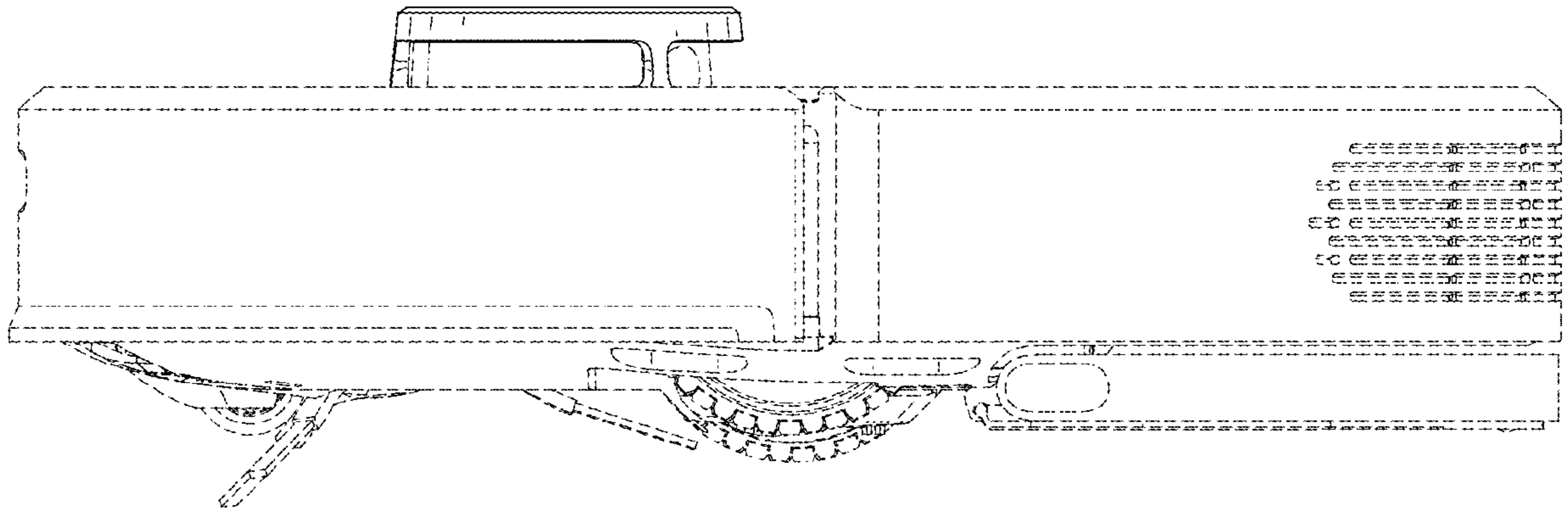


FIG. 5

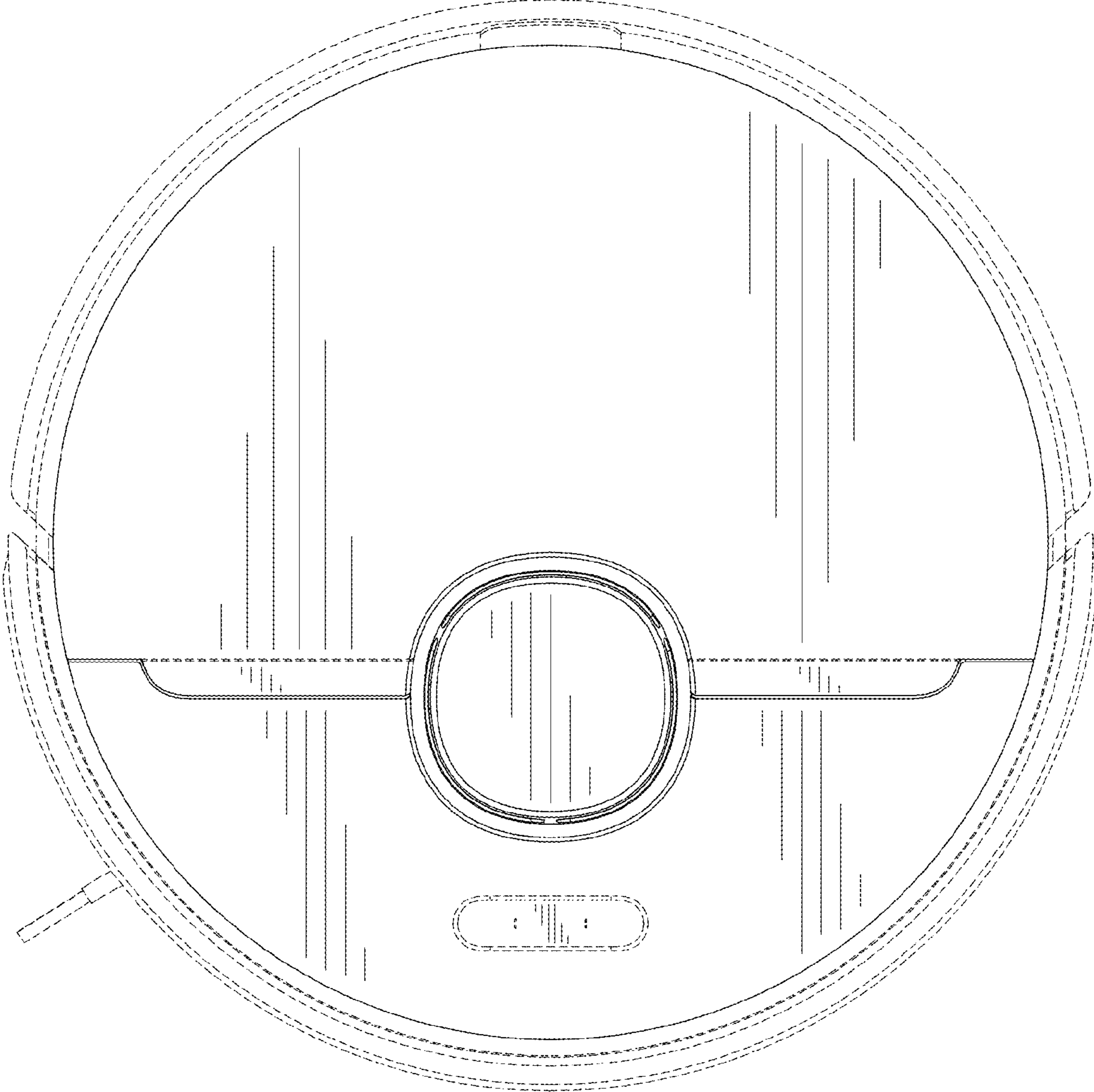


FIG. 6

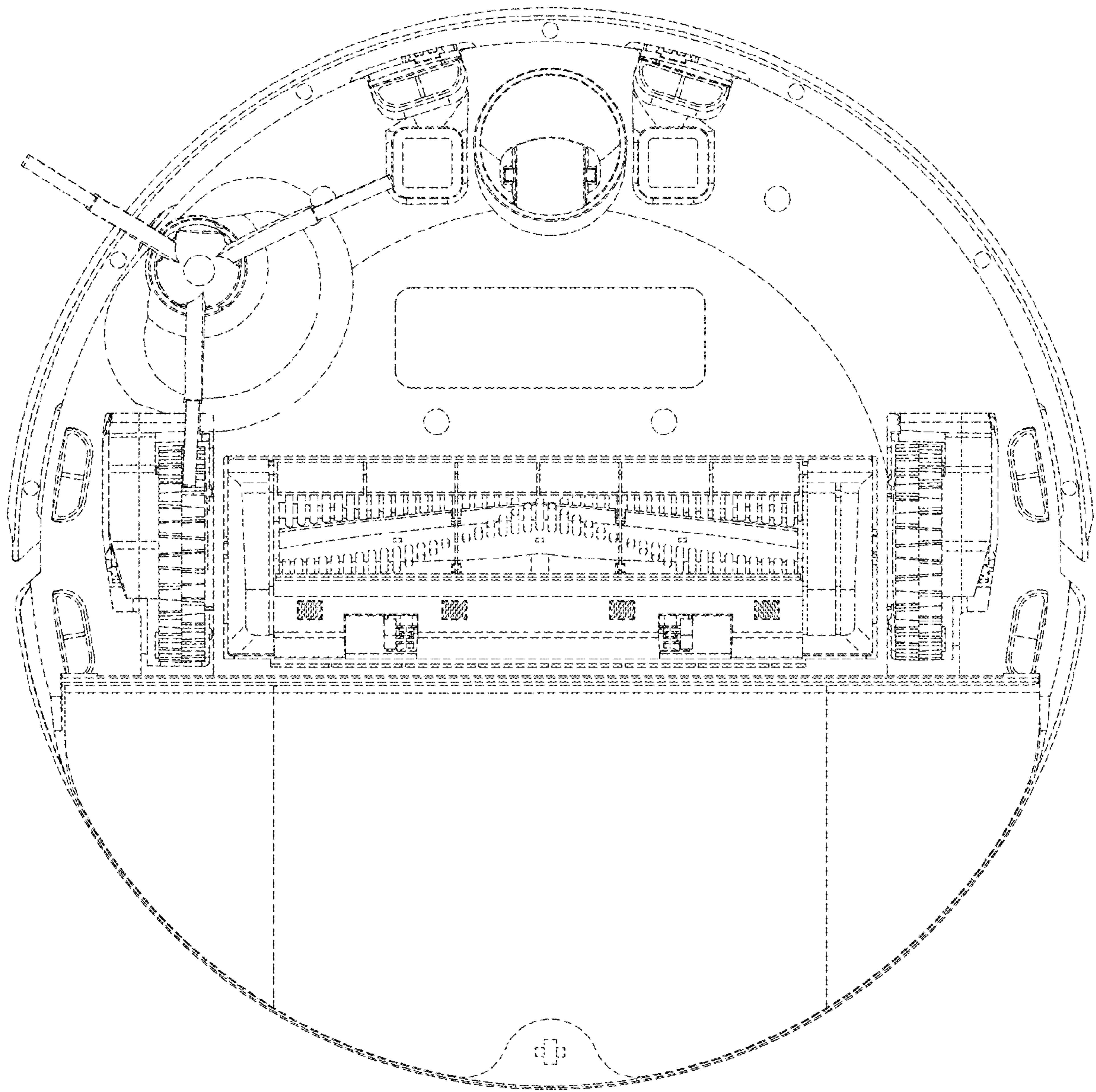


FIG. 7

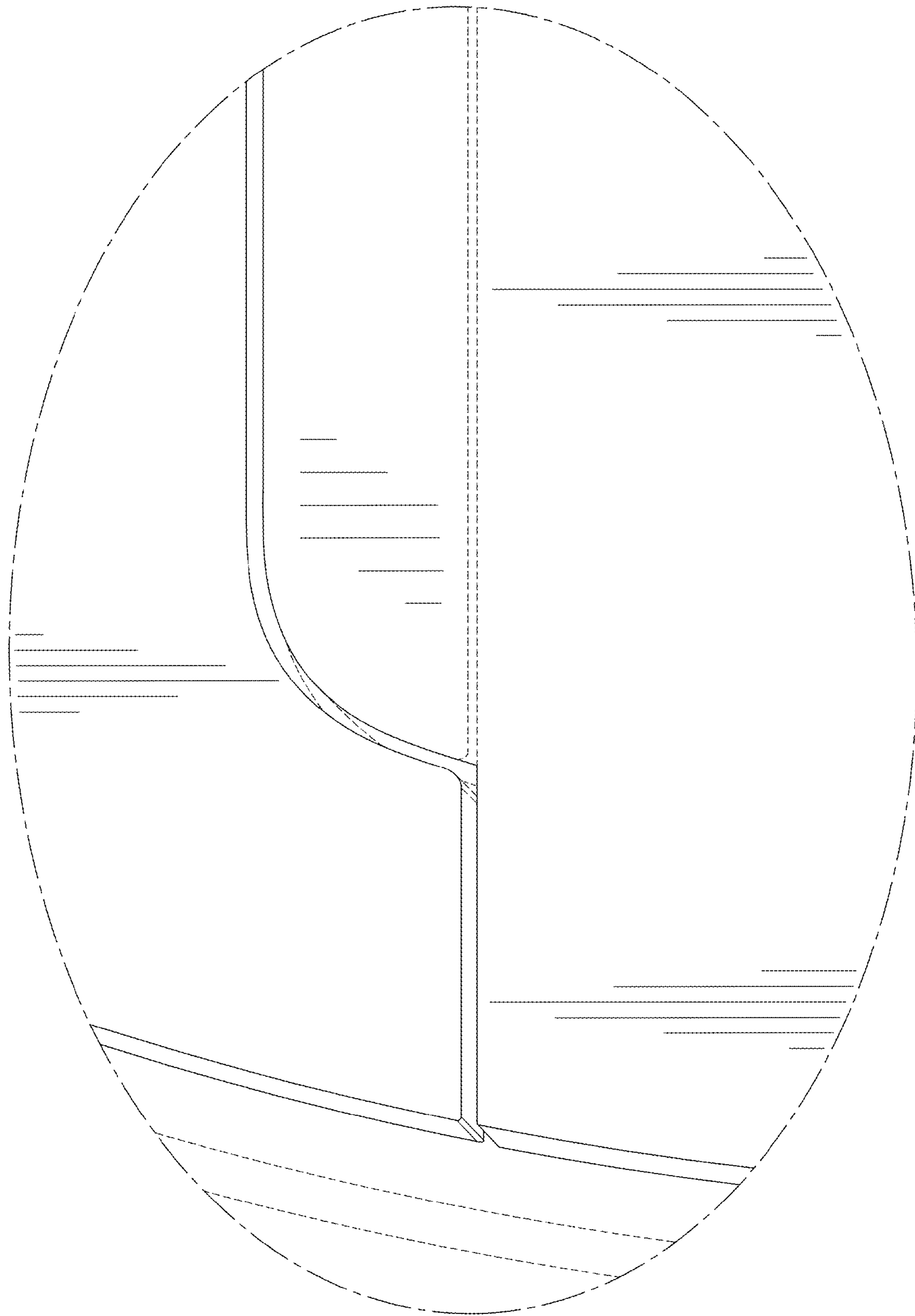


FIG. 8