



US00D975943S

(12) **United States Design Patent** (10) **Patent No.:** **US D975,943 S**
Ni (45) **Date of Patent:** **** Jan. 17, 2023**

(54) **CONTROLLER OF A PET TRAINER**

(71) Applicant: **Shenzhen DogCare Innovation & Technology Co., Ltd., Shenzhen (CN)**

(72) Inventor: **Xunyang Ni, Shenzhen (CN)**

(73) Assignee: **SHENZHEN DOGCARE INNOVATION & TECHNOLOGY CO., LTD., Shenzhen (CN)**

(**) Term: **15 Years**

(21) Appl. No.: **29/769,638**

(22) Filed: **Feb. 7, 2021**

(30) **Foreign Application Priority Data**

Nov. 30, 2020 (CN) 202030732377.2

(51) **LOC (14) Cl.** **30-99**

(52) **U.S. Cl.**
USPC **D30/199; D10/104.1**

(58) **Field of Classification Search**
USPC D30/152, 199; D10/104.1; D14/137,
D14/140, 496
CPC A01K 15/02; A01K 15/021; A01K 15/022;
A01K 15/023
See application file for complete search history.

(56) **References Cited**

U.S. PATENT DOCUMENTS

D480,695 S * 10/2003 Cebe D14/137
D482,630 S * 11/2003 So D30/199
D576,128 S * 9/2008 Tran H04W 8/186
D14/137
D813,473 S * 3/2018 Ni D10/104.1
10,129,711 B1 * 11/2018 Saadoun H04W 8/186
D862,812 S * 10/2019 Jia D10/104.1
D884,995 S * 5/2020 Ni D10/104.1
D925,142 S * 7/2021 Jia A01K 15/021
D10/104.1
D934,514 S * 10/2021 Wen D10/104.1

D944,471 S * 2/2022 Li D10/104.1
D946,218 S * 3/2022 Xiao D10/104.1
D949,493 S * 4/2022 Luo D10/104.1
D955,670 S * 6/2022 Tan D10/104.1
D961,864 S * 8/2022 Mo D10/104.1
2022/0053736 A1 * 2/2022 Xiao A01K 15/021

FOREIGN PATENT DOCUMENTS

CN 304049626 * 2/2017
CN 305231749 * 6/2019
CN 306570312 * 5/2021

OTHER PUBLICATIONS

Standard Dog Training E-Collar EC11, available in dogcare.net [date first available unknown], [retrieved Aug. 31, 2022]. Retrieved from internet <https://dogcare.net/products/dogcare-well-d-standard-shock-dog-training-collar-tc05> (Year: 2022).*

* cited by examiner

Primary Examiner — Sheryl Lane
Assistant Examiner — Emily A Caven
(74) *Attorney, Agent, or Firm* — Bayramoglu Law Offices LLC

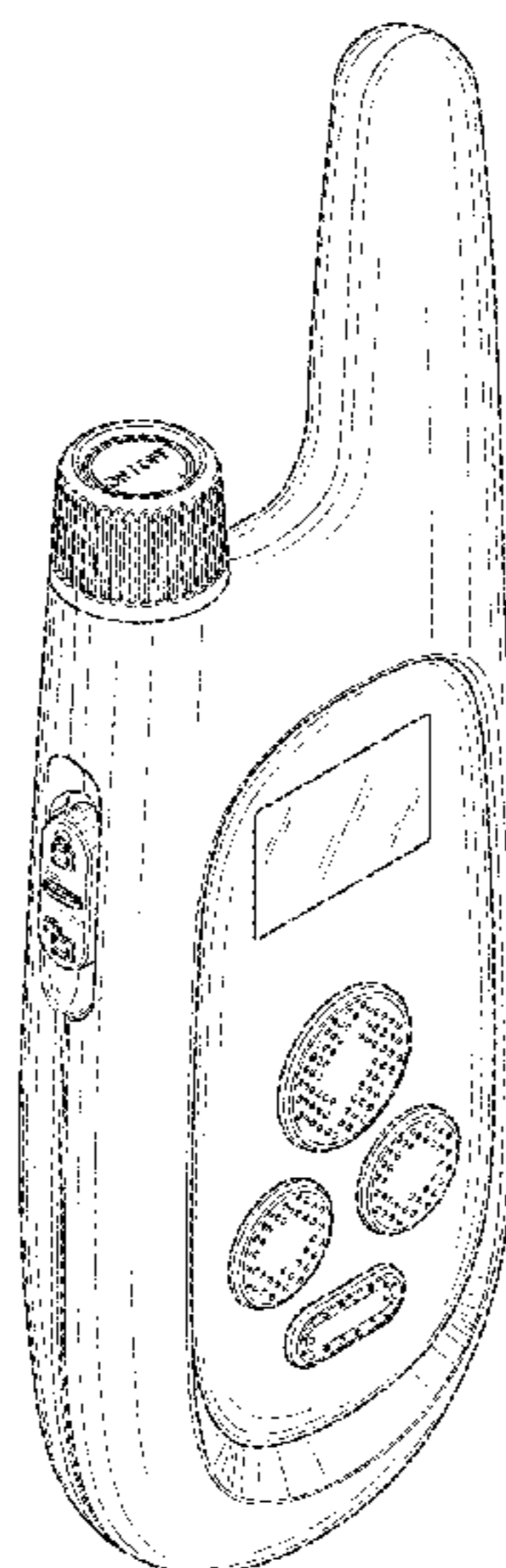
(57) **CLAIM**

The ornamental design for a controller of a pet trainer controller, as shown and described.

DESCRIPTION

FIG. 1 is a front perspective view of a controller of a pet trainer controller showing my new design;
FIG. 2 is a front view thereof;
FIG. 3 is a rear view thereof;
FIG. 4 is a right side view thereof;
FIG. 5 is a left side view thereof;
FIG. 6 is a top view thereof;
FIG. 7 is a bottom view thereof; and,
FIG. 8 is a rear perspective view thereof.

1 Claim, 8 Drawing Sheets



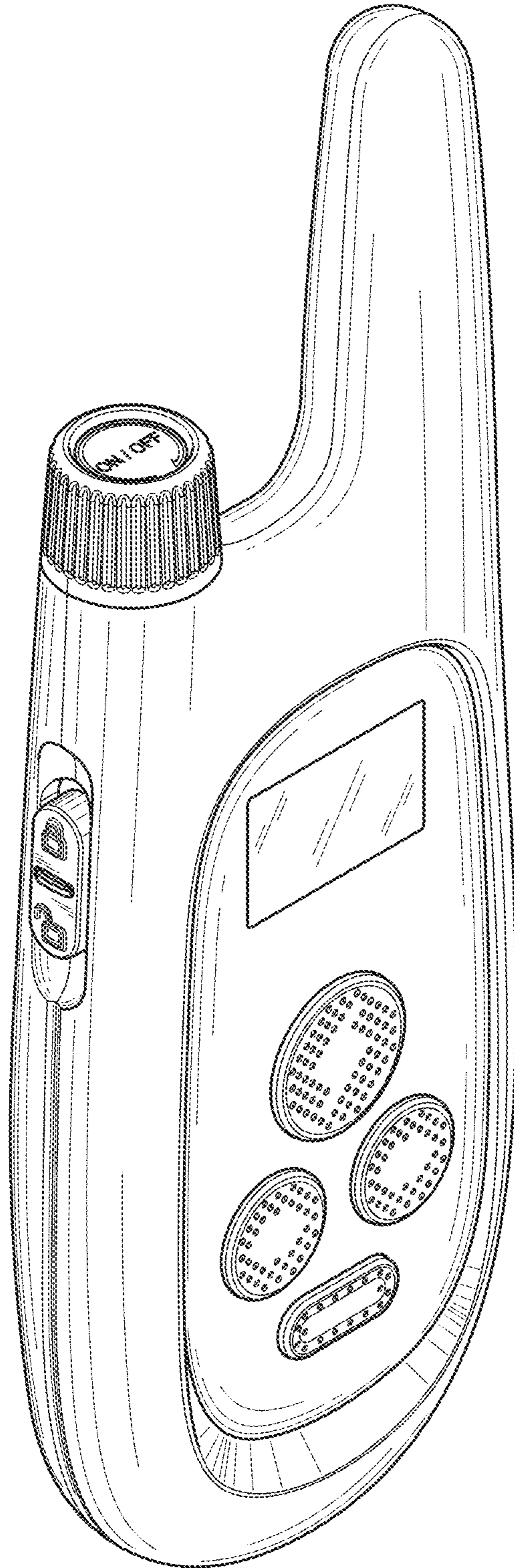


Fig. 1

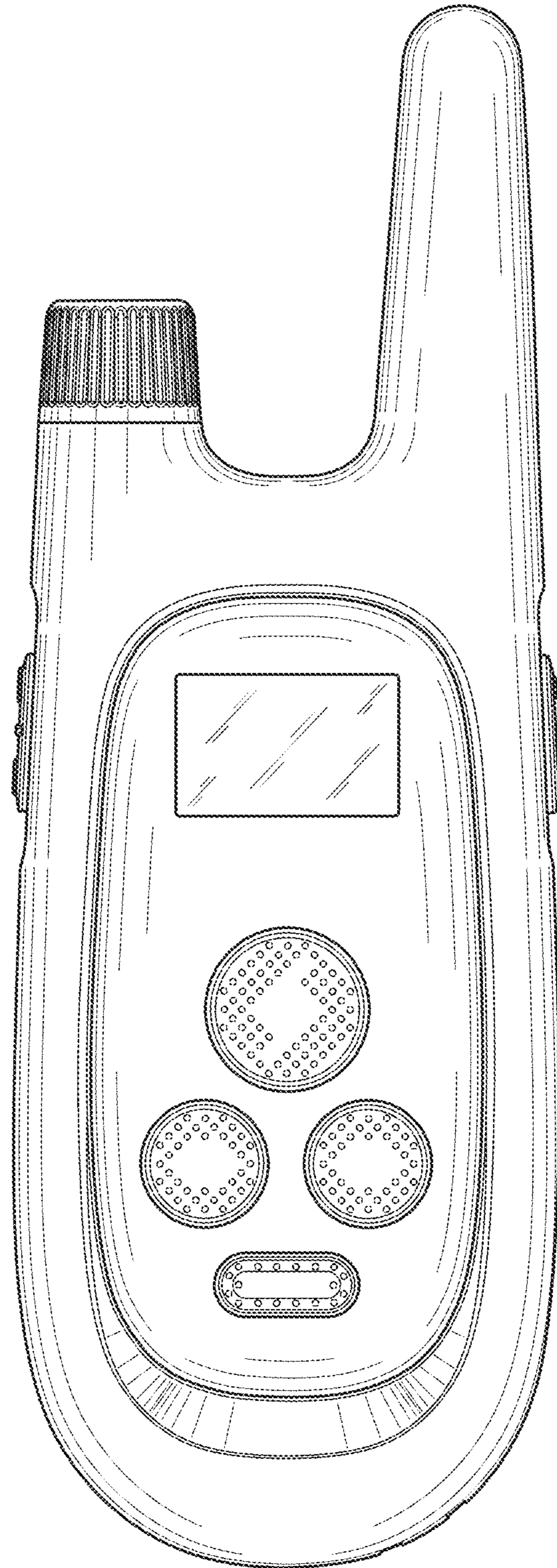


Fig. 2

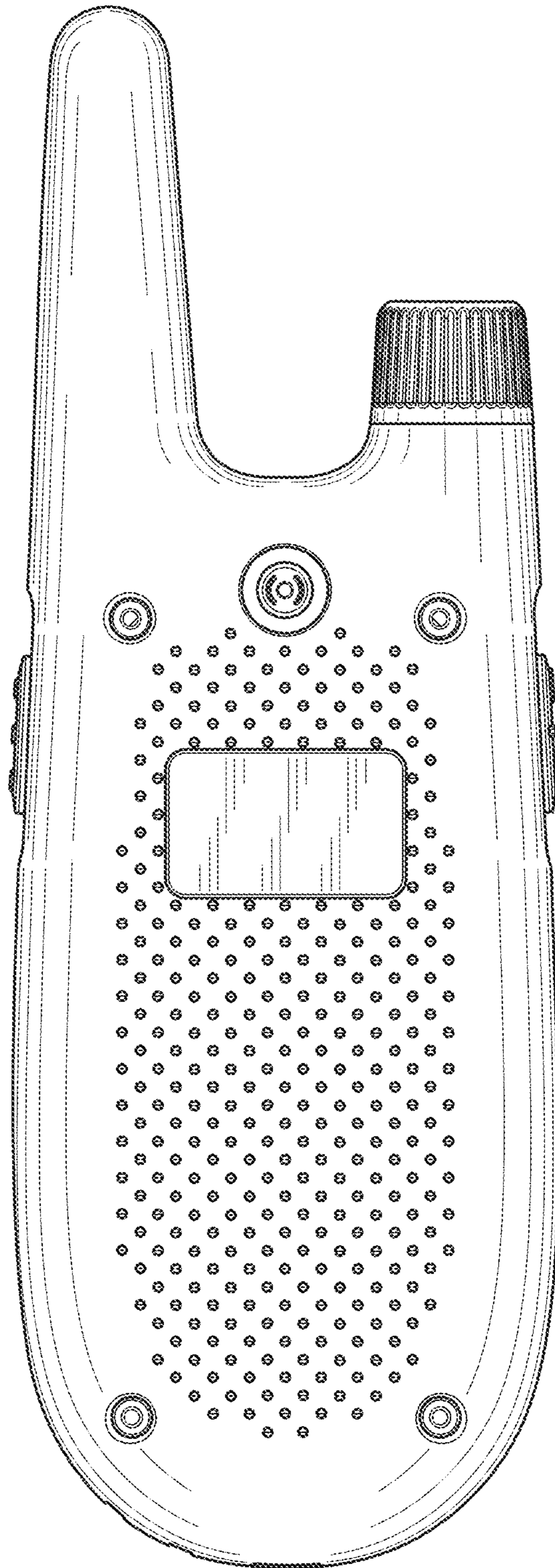


Fig. 3

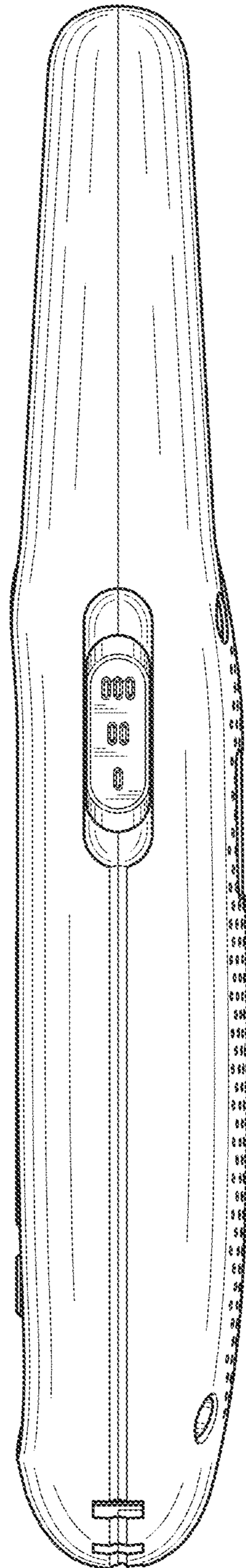


Fig. 4

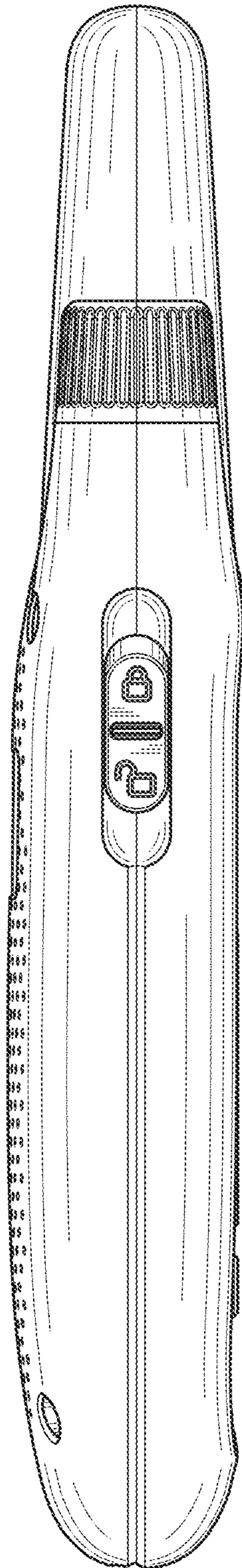


Fig. 5

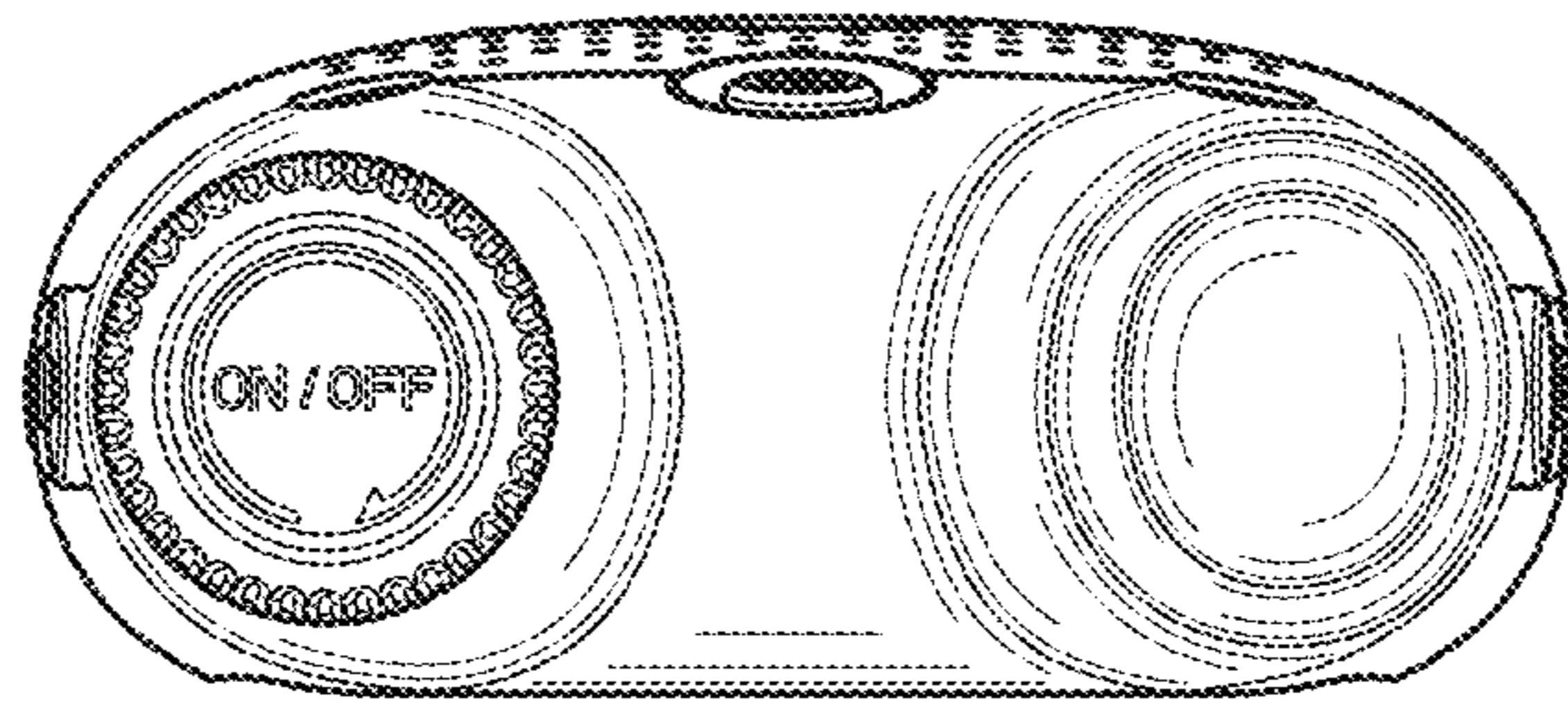


Fig. 6

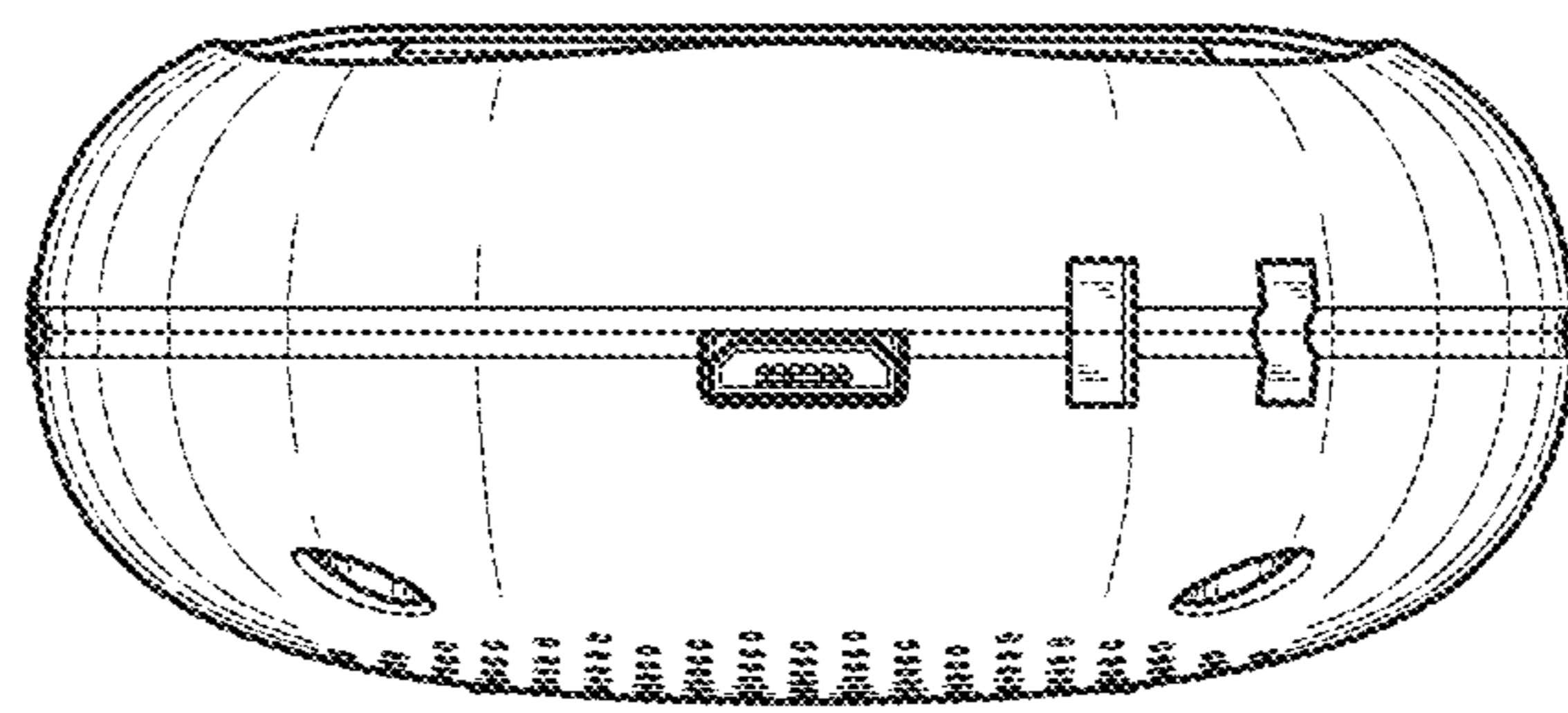


Fig. 7

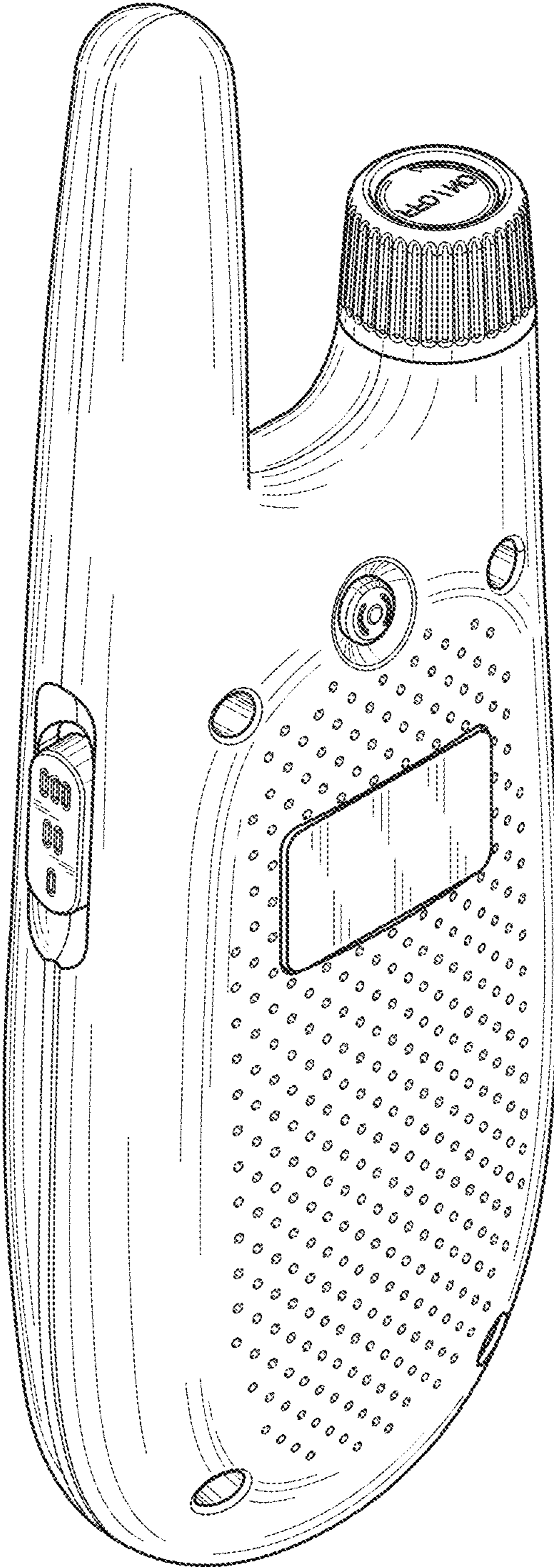


Fig. 8