



US00D975942S

(12) **United States Design Patent** (10) **Patent No.:** **US D975,942 S**  
**Tan** (45) **Date of Patent:** **\*\* Jan. 17, 2023**

(54) **HANDHELD DOG ANTI-BARKING TRAINING APPARATUS**

(71) Applicant: **KaiDa Tan**, Shenzhen (CN)

(72) Inventor: **KaiDa Tan**, Shenzhen (CN)

(\*\*) Term: **15 Years**

(21) Appl. No.: **29/766,723**

(22) Filed: **Jan. 18, 2021**

(51) **LOC (14) Cl.** ..... **30-99**

(52) **U.S. Cl.**  
USPC ..... **D30/199**

(58) **Field of Classification Search**  
USPC ..... D30/152, 199; D22/120; D13/168;  
D10/104.1, 65, 70, 74, 78; D14/137,  
D14/140, 159, 218, 496  
CPC ... A01K 15/021; A01K 15/022; A01K 27/009  
See application file for complete search history.

(56) **References Cited**

**U.S. PATENT DOCUMENTS**

D380,473 S *	7/1997	Otani	.....	D14/218
D406,779 S *	3/1999	Pinardi	.....	D10/104.1
D424,577 S *	5/2000	Backs	.....	D14/218
D524,252 S *	7/2006	Ng	.....	D13/168
D526,622 S *	8/2006	Ng	.....	D13/168
D527,350 S *	8/2006	Ng	.....	D13/168
D570,793 S *	6/2008	Ikeda	.....	D13/168
D614,074 S *	4/2010	Castaline	.....	D11/79
D708,796 S *	7/2014	Sproviero	.....	D10/104.1
D897,614 S *	9/2020	Tang	.....	D30/199
D925,142 S *	7/2021	Jia	.....	D10/104.1
D925,691 S *	7/2021	Jia	.....	D22/120
D947,141 S *	3/2022	Deng	.....	D13/168

**FOREIGN PATENT DOCUMENTS**

CN 306238432 \* 12/2020

**OTHER PUBLICATIONS**

Ulocool Anti Barking Device, posted Oct. 14, 2020 [online], [retrieved Sep. 7, 2022]. Retrieved from internet <https://www.amazon.ca/Ulocool-Deterrent-Ultrasonic-Rechargeable-Handheld/dp/B08L4HNG7R> (Year: 2020).\*

Nest 9 Anti Barking Device, posted Oct. 25, 2020 [online], [retrieved Sep. 7, 2022]. Retrieved from internet <https://www.amazon.ca/Nest-Deterrent-Ultrasonic-Rechargeable-Handheld/dp/B08LB8SSXD> (Year: 2020).\*

ZelenDecor Anti Barking Device, posted Oct. 13, 2020 [online], [retrieved Sep. 7, 2022]. Retrieved from internet <https://www.amazon.com/ZelenDecor-Ultrasonic-Deterrent-Rechargeable-Effective/dp/B08L4X4JJP> (Year: 2020).\*

\* cited by examiner

*Primary Examiner* — Sheryl Lane

*Assistant Examiner* — Emily A Caven

(74) *Attorney, Agent, or Firm* — Che-Yang Chen; Law Office of Michael Chen

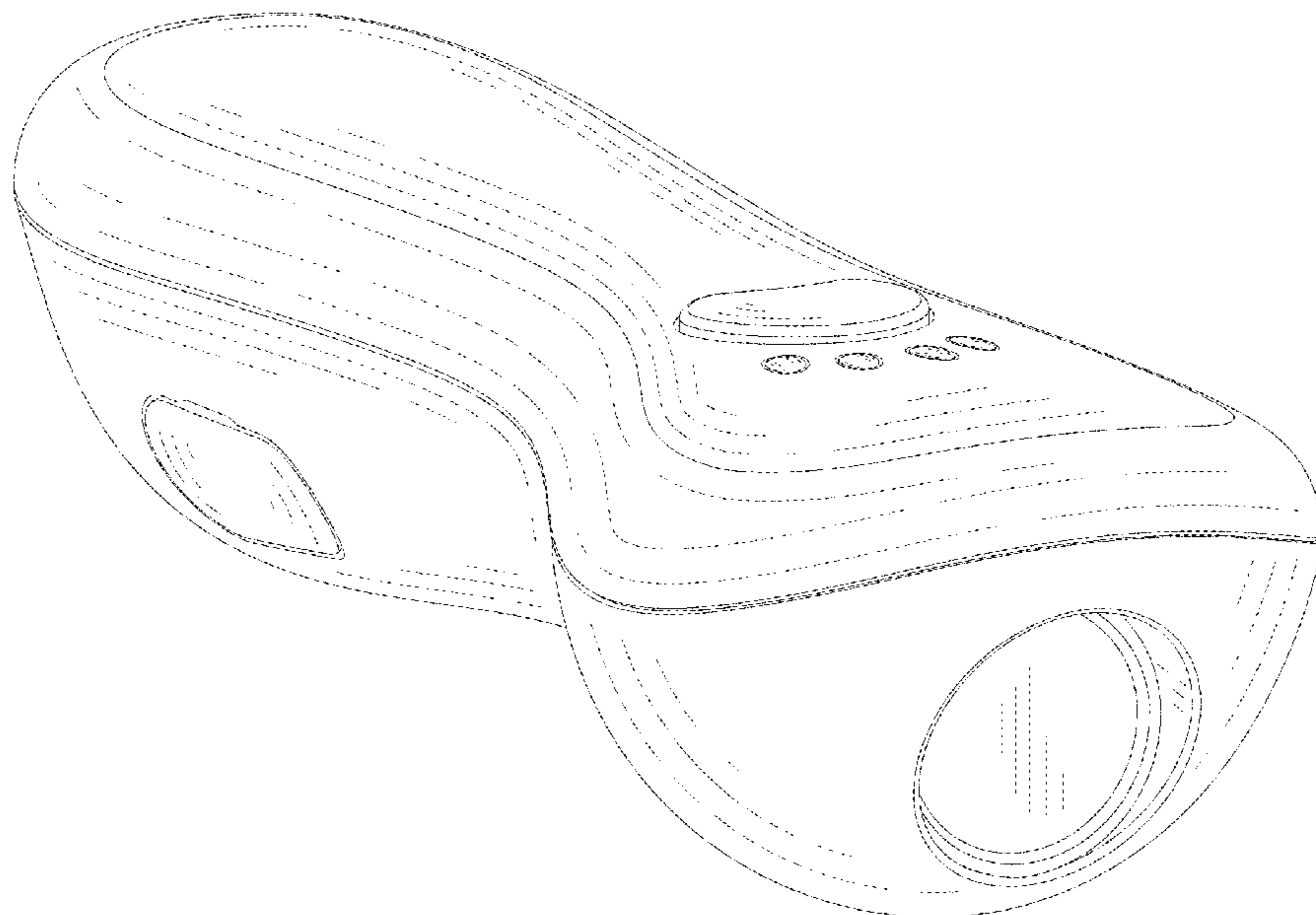
(57) **CLAIM**

The ornamental design for a handheld dog anti-barking training apparatus, as shown and described.

**DESCRIPTION**

FIG. 1 is a perspective view of the handheld dog anti-barking training apparatus showing my new design; FIG. 2 is a front elevational view thereof; FIG. 3 is a rear elevational view thereof; FIG. 4 is a left side elevational view thereof; FIG. 5 is a right side elevational view thereof; FIG. 6 is a top plan view thereof; and, FIG. 7 is a bottom plan view thereof.

**1 Claim, 7 Drawing Sheets**



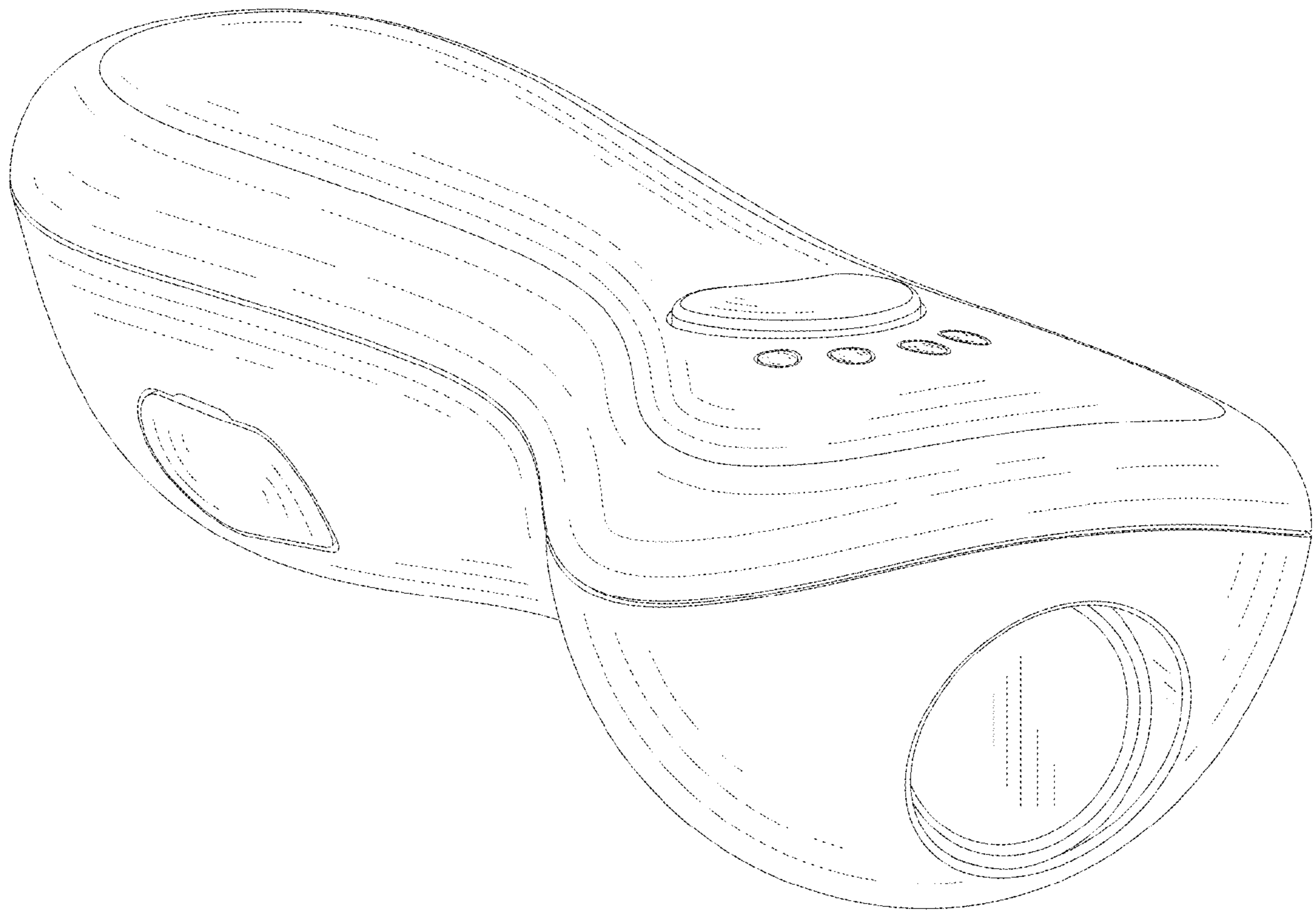


FIG.1

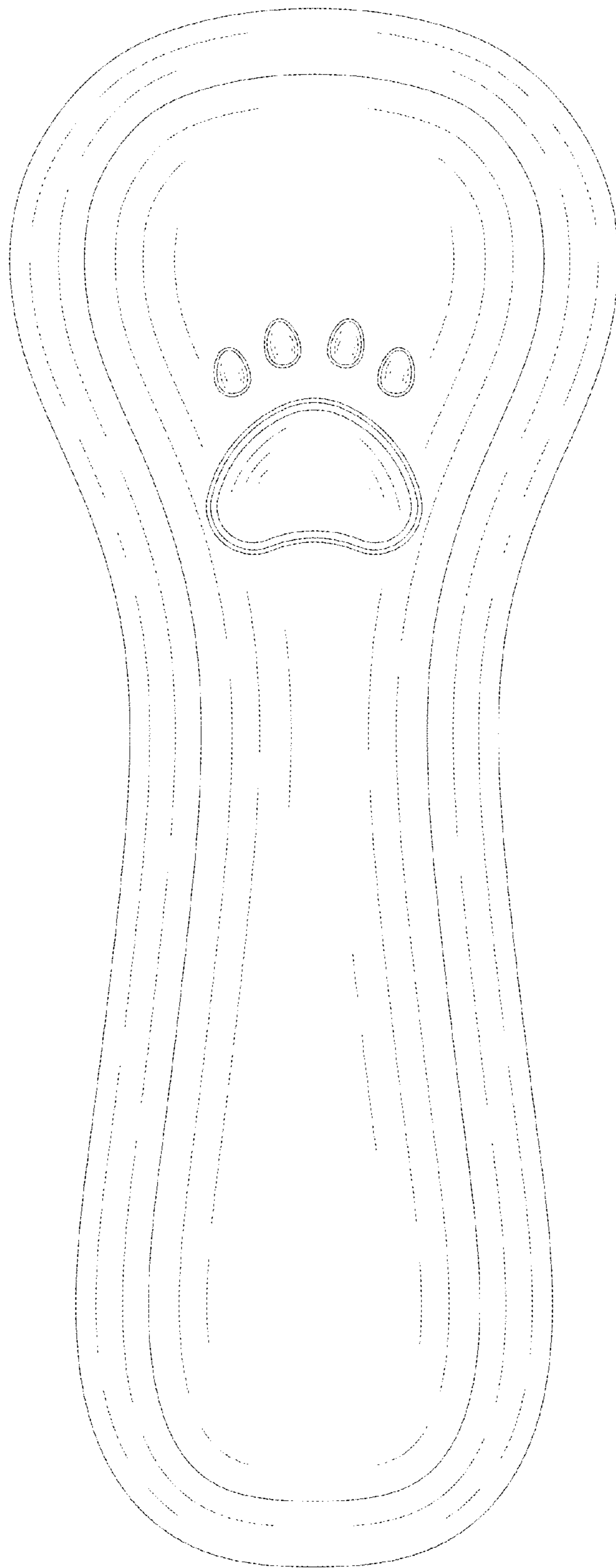


FIG.2

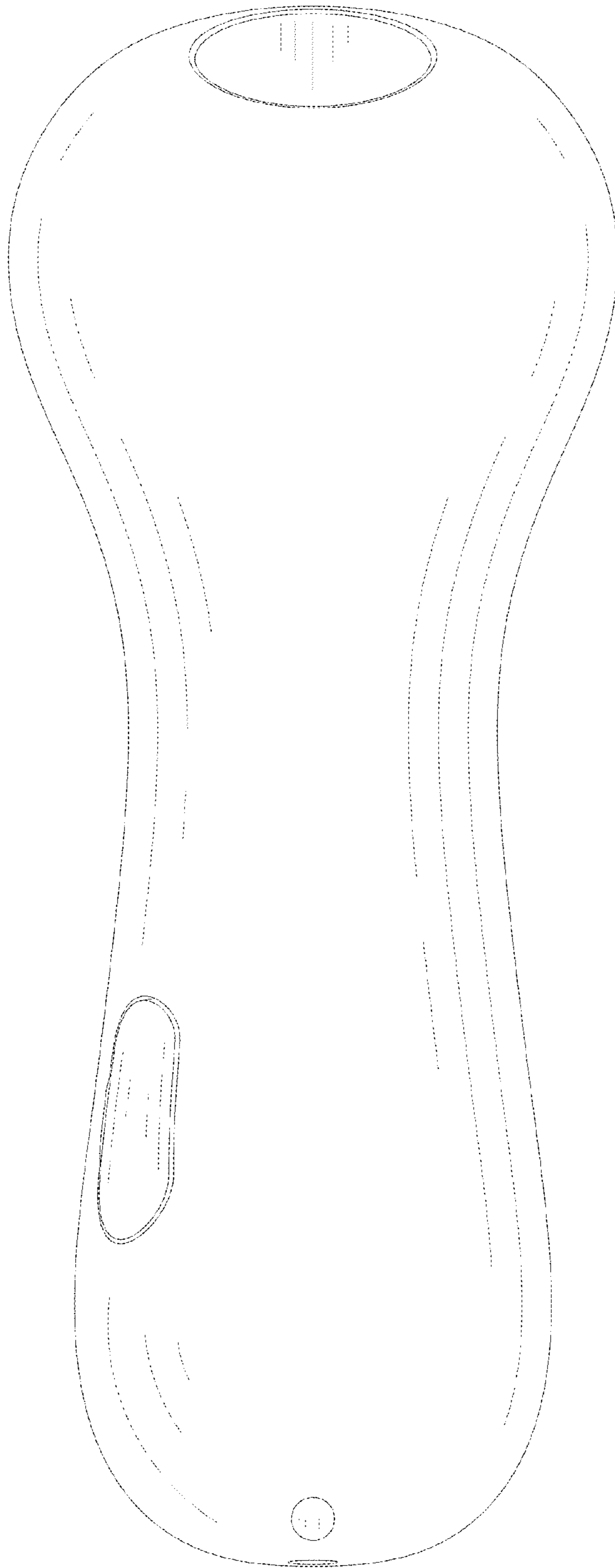


FIG. 3

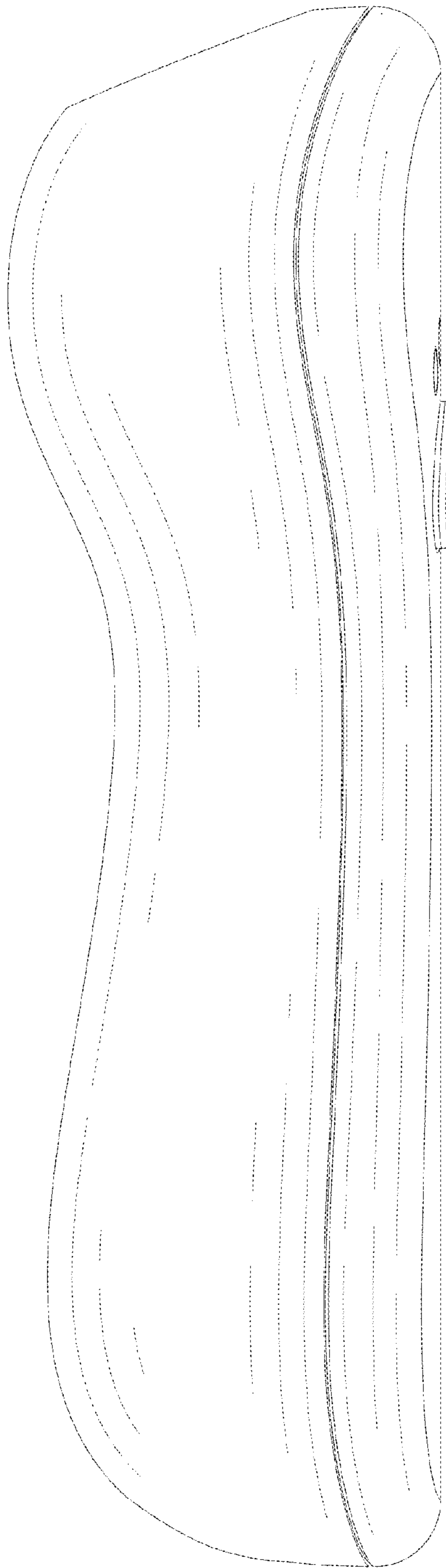


FIG. 4

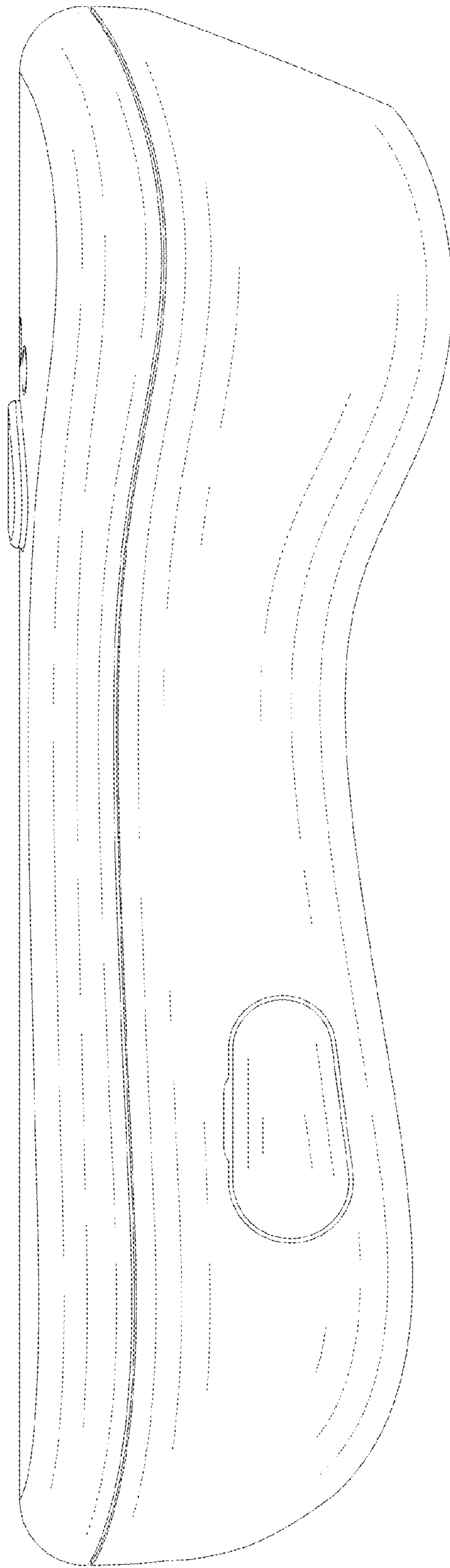


FIG. 5



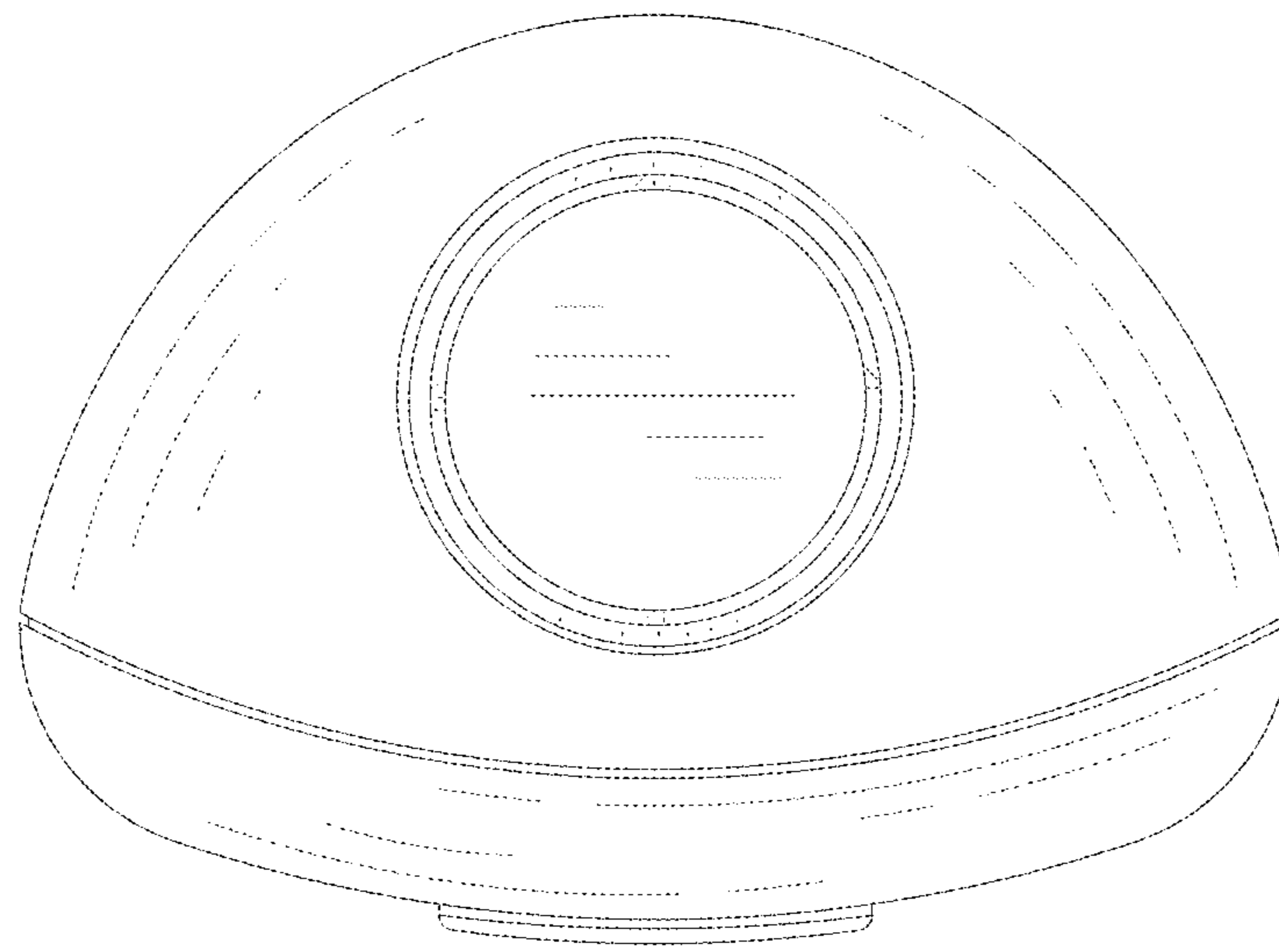


FIG. 6

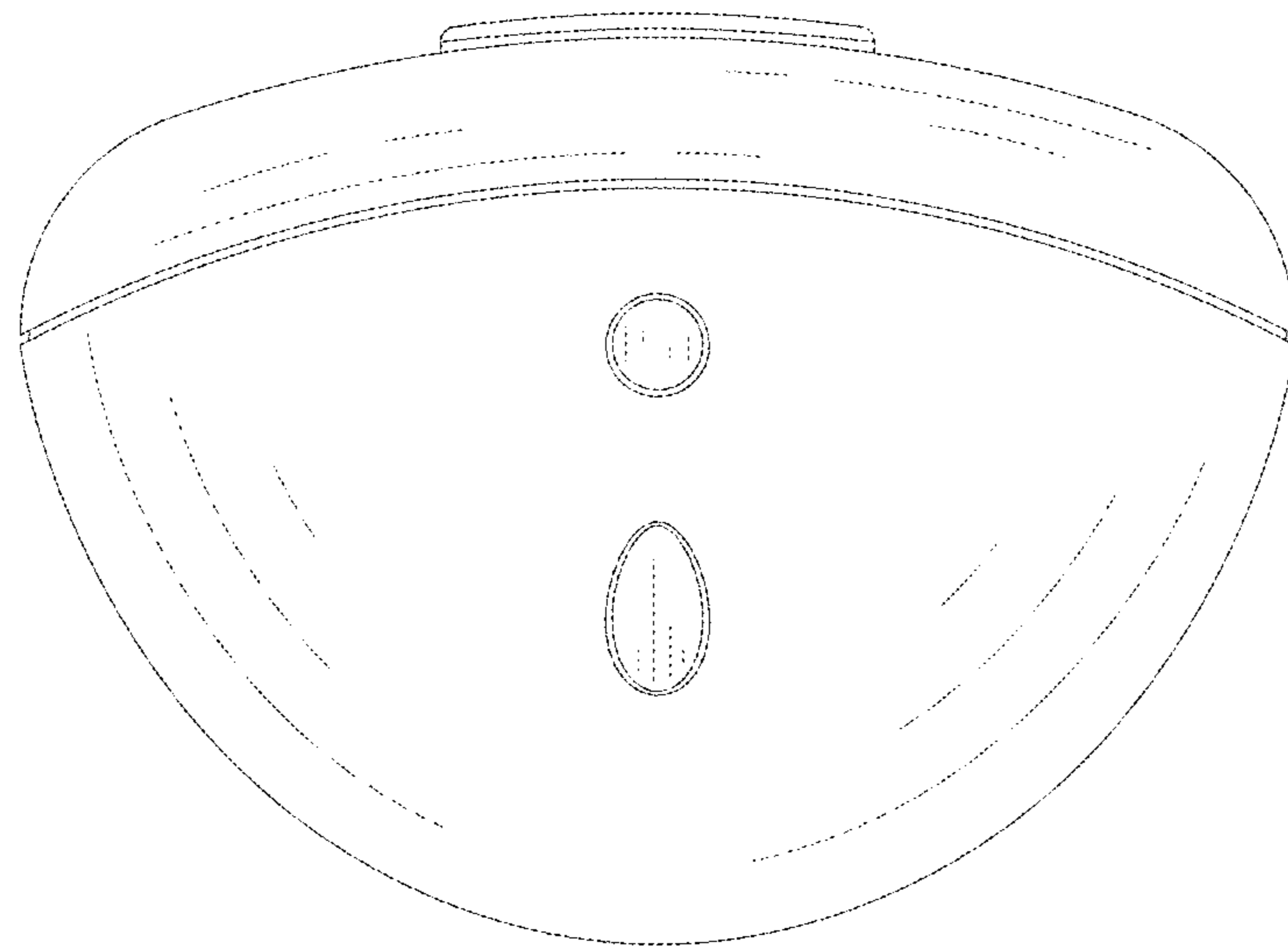


FIG. 7