



US00D975939S

(12) **United States Design Patent**  
**Smith et al.**

(10) **Patent No.:** **US D975,939 S**  
(45) **Date of Patent:** **\*\* Jan. 17, 2023**

(54) **LITTER DEVICE FOR DOMESTIC ANIMALS**

(71) Applicant: **Automated Pet Care Products, LLC**,  
Auburn Hills, MI (US)

(72) Inventors: **Jason Smith**, West Bloomfield, MI  
(US); **Brad Baxter**, Bloomfield Hills,  
MI (US)

(73) Assignee: **AUTOMATED PET CARE  
PRODUCTS, LLC**, Auburn Hills, MI  
(US)

(\*\*) Term: **15 Years**

(21) Appl. No.: **29/755,931**

(22) Filed: **Oct. 23, 2020**

**Related U.S. Application Data**

(63) Continuation-in-part of application No. 16/428,433,  
filed on May 31, 2019, now Pat. No. 11,399,502.

(51) **LOC (14) Cl.** ..... **30-99**

(52) **U.S. Cl.**  
USPC ..... **D30/161**

(58) **Field of Classification Search**  
USPC ..... D28/19; D30/108–109, 112–120, 161,  
D30/162; D32/6

(Continued)

(56) **References Cited**

**U.S. PATENT DOCUMENTS**

D156,991 S \* 1/1950 Perl ..... D32/6  
3,027,654 A \* 4/1962 Kremer ..... A45D 20/20  
34/96

(Continued)

**FOREIGN PATENT DOCUMENTS**

CN 305005516 \* 1/2019  
CN 209314546 U 8/2019

(Continued)

**OTHER PUBLICATIONS**

Cat Litter Boxes\_Pet Toilet Creative Spherical Cat Litter Pot,  
available in Amazon.ca, date first available Aug. 15, 2020 [online],  
[site visited May 6, 2022], Available from the internet URL:  
<https://www.amazon.ca/Creative-Spherical-Personality-Enclosed-Automatic/dp/B08FXZQLM7?th=1> (Year: 2020).\*

(Continued)

*Primary Examiner* — Jennifer L Rempfer

*Assistant Examiner* — Elizabeth Anne Glassberg

(74) *Attorney, Agent, or Firm* — The Dobrusin Law Firm,  
P.C.; Daniela M. Thompson-Walters

(57) **CLAIM**

We claim the ornamental design for a litter device for  
domestic animals, as shown and described.

**DESCRIPTION**

FIG. 1 is a front perspective view of a litter device for  
domestic animals;

FIG. 2 is a rear perspective view thereof;

FIG. 3 is a front view thereof;

FIG. 4 is a rear view of thereof;

FIG. 5 is a bottom view thereof;

FIG. 6 is a top view thereof;

FIG. 7 is a left side view thereof; and

FIG. 8 is a right side view thereof.

FIG. 9 is a front perspective view of a second embodiment  
of a litter device for domestic animals;

FIG. 10 is a rear perspective view thereof;

FIG. 11 is a front view thereof;

FIG. 12 is a rear view thereof;

FIG. 13 is a bottom view thereof;

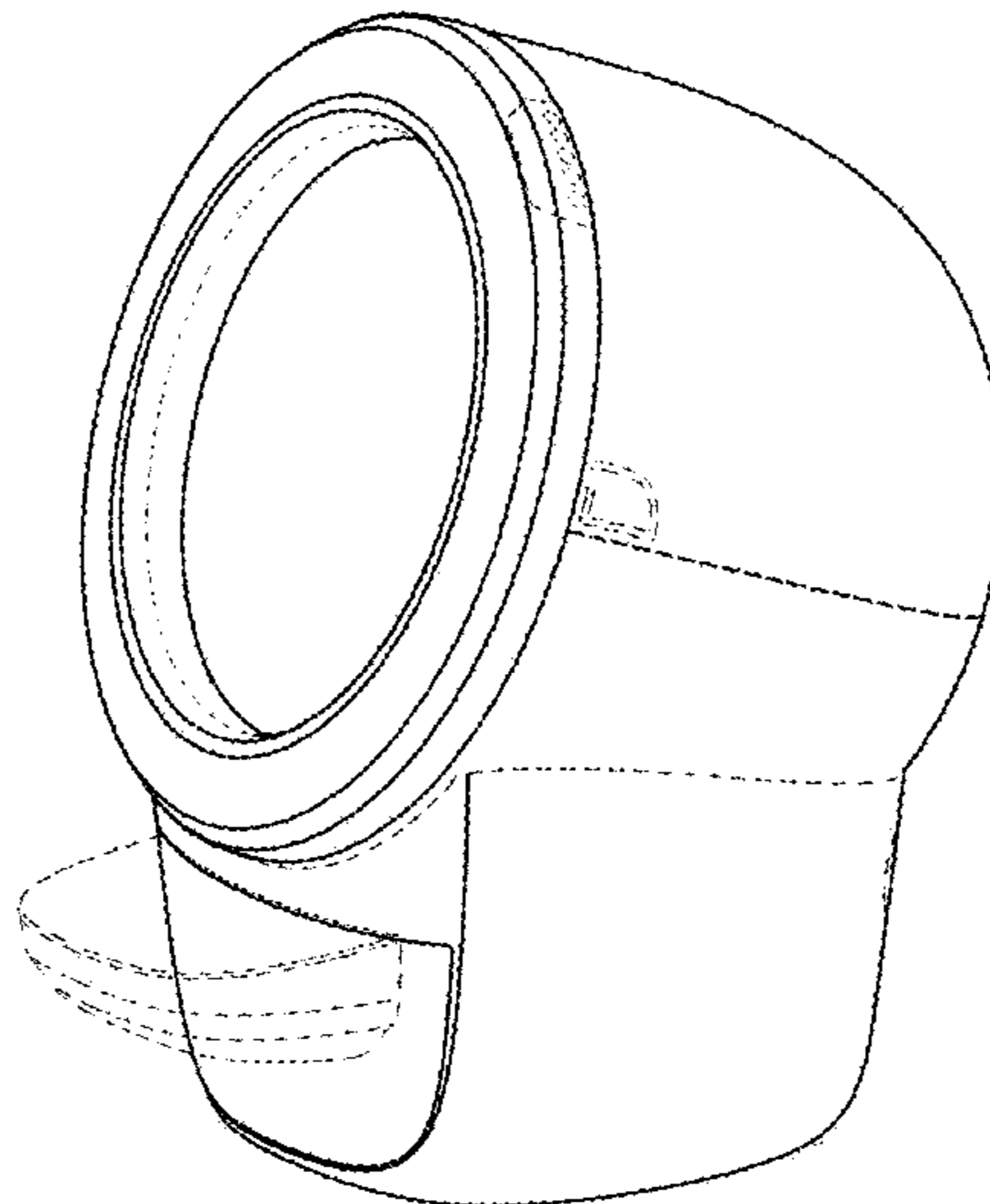
FIG. 14 is a top view thereof;

FIG. 15 is a left side view thereof; and,

FIG. 16 is a right side view thereof.

The broken lines in the figures illustrate portions of the litter  
device for domestic animals that form no part of the claimed  
design.

**1 Claim, 16 Drawing Sheets**



(58) **Field of Classification Search**

CPC ..... A01K 1/01; A01K 1/0107; A01K 1/0111;  
 A01K 1/0114; A01K 1/0117; A01K  
 1/0121; A01K 1/0125; A01K 1/0128;  
 A01K 1/0132; A01K 1/0135; A01K  
 1/0139; A01K 1/0142; A01K 1/0236;  
 A01K 1/0272; A01K 1/029; A01K 1/033;  
 A01K 1/034; A01K 1/035; A01K 1/0035;  
 A45D 20/44; A45D 20/46

See application file for complete search history.

(56) **References Cited**

U.S. PATENT DOCUMENTS

4,120,264 A 10/1978 Carter  
 5,107,797 A \* 4/1992 LaRoche ..... A01K 1/0114  
 209/296  
 5,458,090 A 10/1995 Favreau  
 5,662,066 A 9/1997 Reitz  
 6,126,015 A 10/2000 Haymaker  
 6,463,881 B2 \* 10/2002 Reitz ..... A01K 1/0114  
 119/170  
 7,017,519 B1 \* 3/2006 Deasy ..... A01K 1/011  
 119/166  
 D519,247 S \* 4/2006 Kim ..... D32/6  
 D537,577 S \* 2/2007 Nam ..... D32/6  
 7,647,889 B2 1/2010 Horanoff  
 D612,554 S \* 3/2010 Seager ..... D30/161  
 8,413,608 B2 \* 4/2013 Sharp ..... A01K 1/0107  
 119/166  
 D681,885 S \* 5/2013 Pitter ..... D30/129  
 8,485,131 B2 7/2013 Veness  
 D688,013 S \* 8/2013 Kim ..... D32/6  
 8,757,094 B2 \* 6/2014 Baxter ..... A01K 1/0114  
 119/168  
 D753,886 S \* 4/2016 Veness ..... D30/161  
 9,433,185 B2 9/2016 Baxter  
 9,504,228 B1 11/2016 Ciotic  
 9,565,830 B1 2/2017 Caico  
 D824,121 S \* 7/2018 Luo ..... D32/6  
 10,098,315 B2 \* 10/2018 Couto ..... A01K 1/0114  
 D898,304 S \* 10/2020 Tu ..... D30/161  
 D923,887 S \* 6/2021 Wang ..... D30/161  
 2002/0139312 A1 \* 10/2002 Reitz ..... A01K 1/0114  
 119/165  
 2013/0206075 A1 8/2013 Huck  
 2013/0333625 A1 \* 12/2013 Baxter ..... A01K 1/011  
 119/166  
 2018/0303057 A1 \* 10/2018 Guoqiang ..... A01K 1/0107  
 2019/0364840 A1 12/2019 Baxter  
 2020/0060221 A1 \* 2/2020 Fan ..... A01K 1/0114  
 2020/0245587 A1 \* 8/2020 Leech ..... A01K 1/011

2020/0281154 A1 \* 9/2020 Li ..... A01K 1/011  
 2022/0104452 A1 \* 4/2022 Gong ..... A01K 1/0114  
 2022/0125006 A1 \* 4/2022 Smith ..... A01K 1/0114

FOREIGN PATENT DOCUMENTS

CN 209518062 U 10/2019  
 CN 209732234 U 12/2019  
 CN 305532892 \* 1/2020  
 CN 305762379 \* 5/2020  
 CN 305999762 \* 8/2020  
 EP 2676543 B1 12/2018  
 FR 2687285 A1 8/1993  
 FR 3070822 A1 3/2019  
 WO 98/01374 A2 1/1998  
 WO 02/054860 A1 7/2002  
 WO 2016/190765 A1 12/2016

OTHER PUBLICATIONS

Litter-Robot Automated Litter Box Testimonials\_Why Customers Love Litter-Robot, announced in YouTube on Sep. 22, 2015 [online], [site visited May 6, 2022], Available from the internet URL: <https://www.youtube.com/watch?v=EOsMIIMRAQ8> (Year: 2015).\*

Morus Zero-Ultrafast Countertop Tumble Dryer, announced in YouTube on Jun. 18, 2019 [online], [site visited May 9, 2022], Available from the internet URL: <https://www.youtube.com/watch?v=r063llmUXi8> (Year: 2019).\*

Copending PCT Application No. PCT/US2020/029776 filed on Apr. 24, 2020.

Co-pending Design U.S. Appl. No. 29/749,988, filed Sep. 10, 2020.

Co-pending Design U.S. Appl. No. 29/756,266, filed Oct. 27, 2020.

Co-pending Design U.S. Appl. No. 29/755,935, filed Oct. 23, 2020.

International Search Report and Written Opinion, dated Sep. 30, 2020, PCT Application No. PCT/US2020/029776.

Aimicat available at <https://aimicat.com/>. As accessed on Sep. 9, 2020.

Catgloo available at <http://pethealthintec.com/>. As accessed on Sep. 9, 2020.

Catlink available at <https://en.xiaomitoday.it/catlink-automatic-litter-box-youth.html>. As accessed on Sep. 9, 2020.

Circle Zero available at <https://plutocirclezero.com/>. As accessed on Sep. 9, 2020.

Igloo available at <https://www.indiegogo.com/projects/igloo-reinvent-affordable-auto-cat-litter-box#/>. As accessed on Sep. 9, 2020.

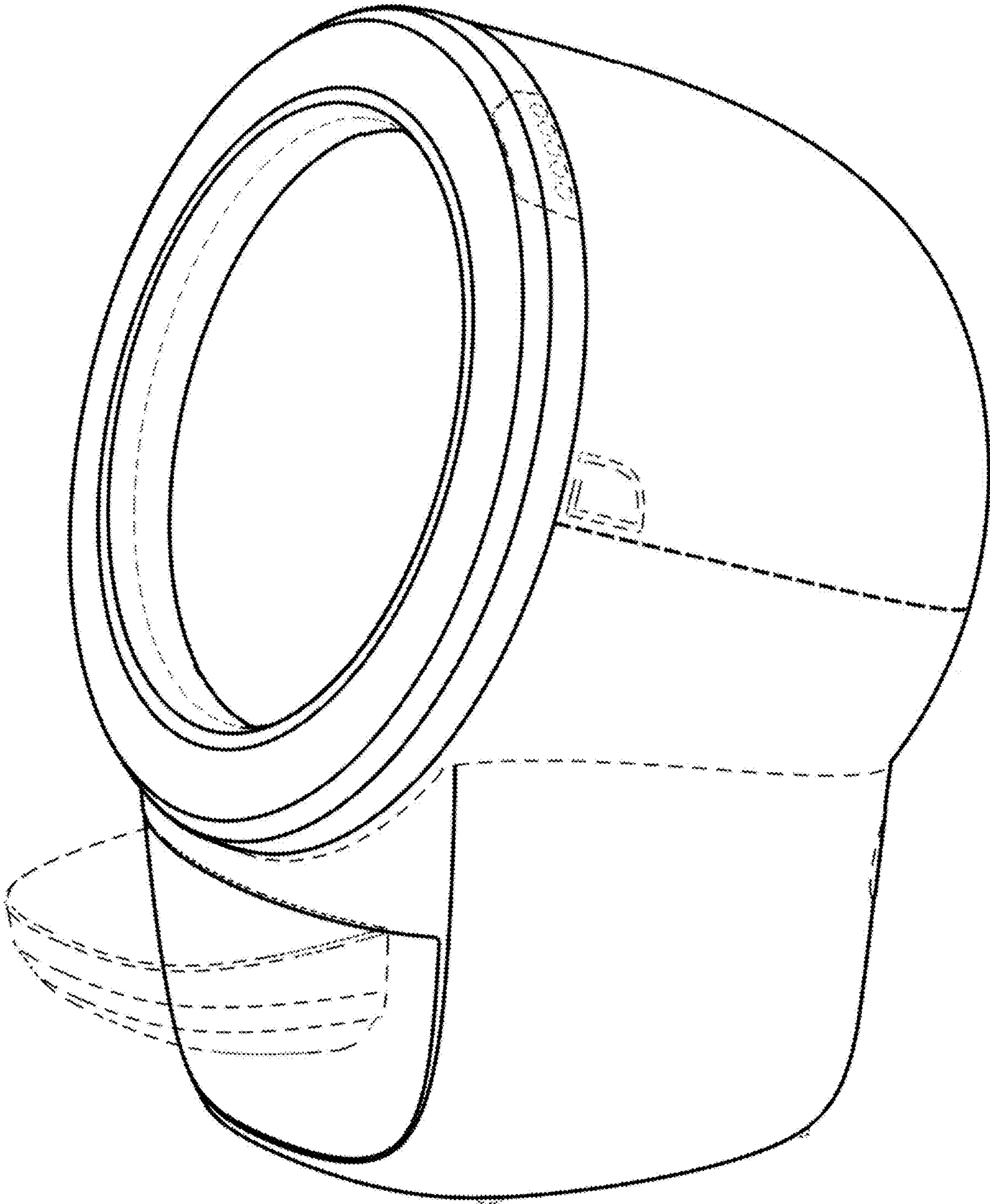
Meet available at <https://www.slashpets.com/robotic-cat-litter-box/>. As accessed on Sep. 9, 2020.

Petato Footloose available at <https://www.kickstarter.com/projects/petato/footloose-next-gen-automatic-and-health-tracking-c>. As accessed on Sep. 9, 2020.

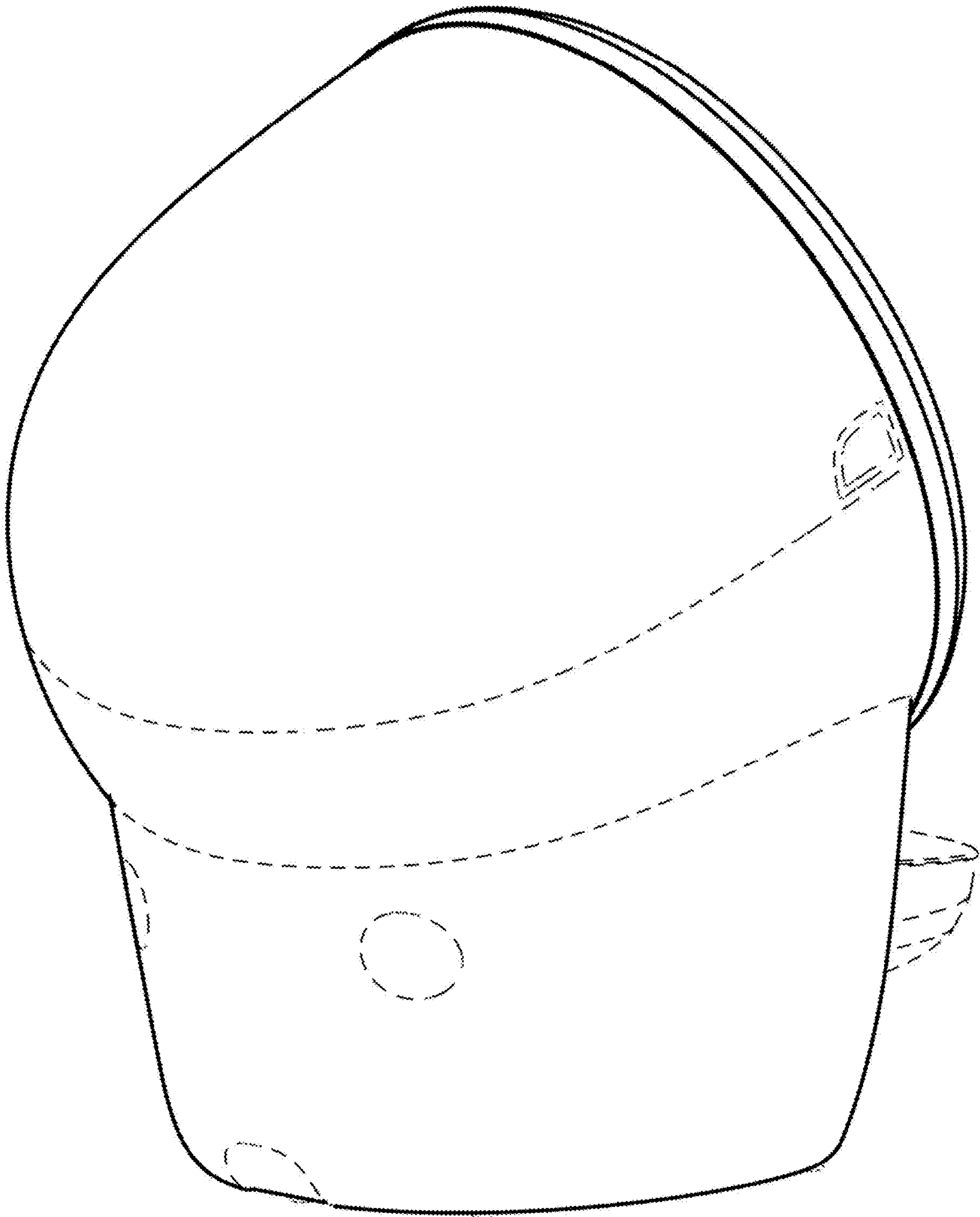
Petree available at <https://petreelitterboxes.com/>. As accessed on Sep. 9, 2020.

\* cited by examiner





**FIG.-1**



**FIG.-2**

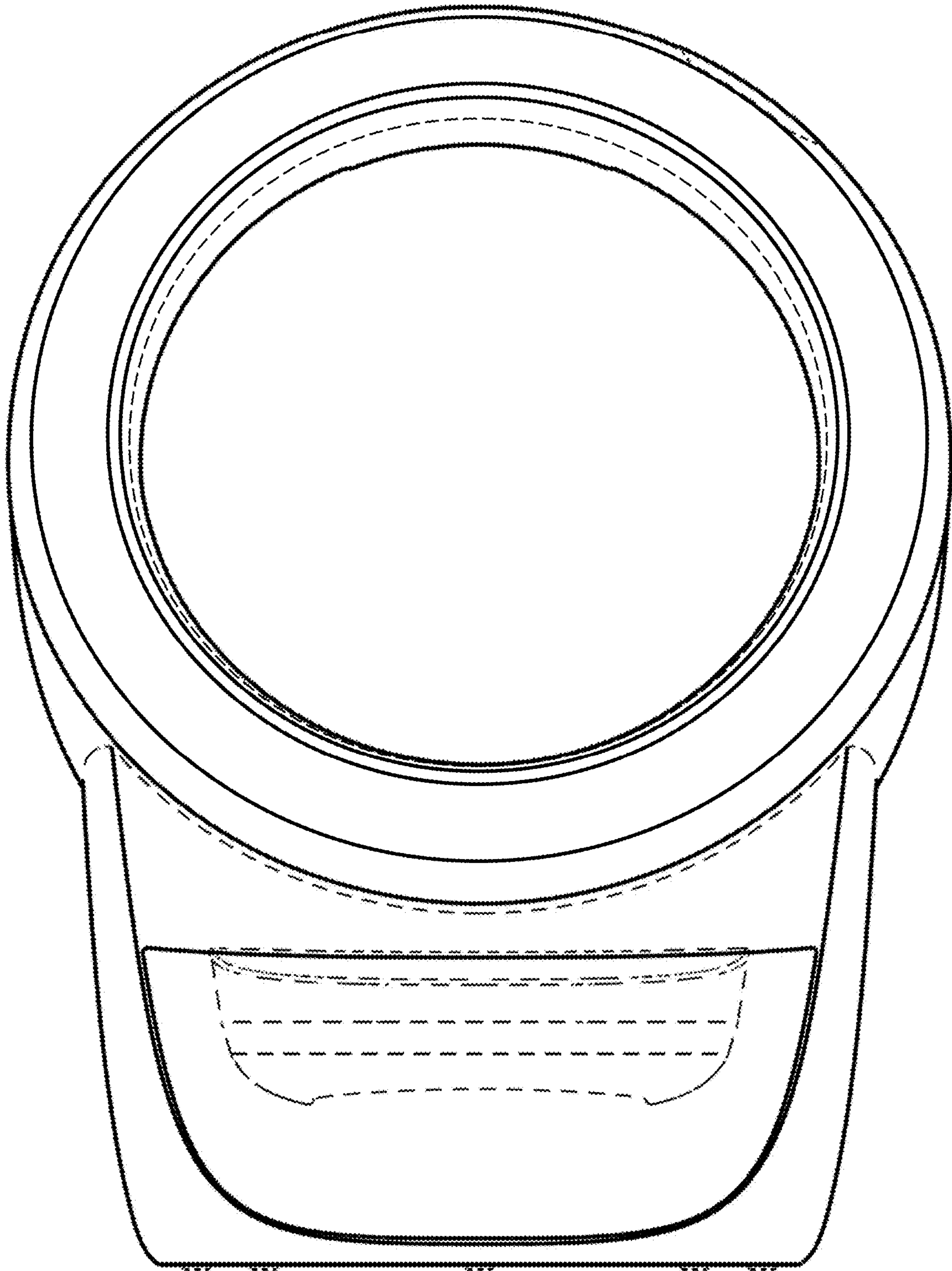


FIG.-3

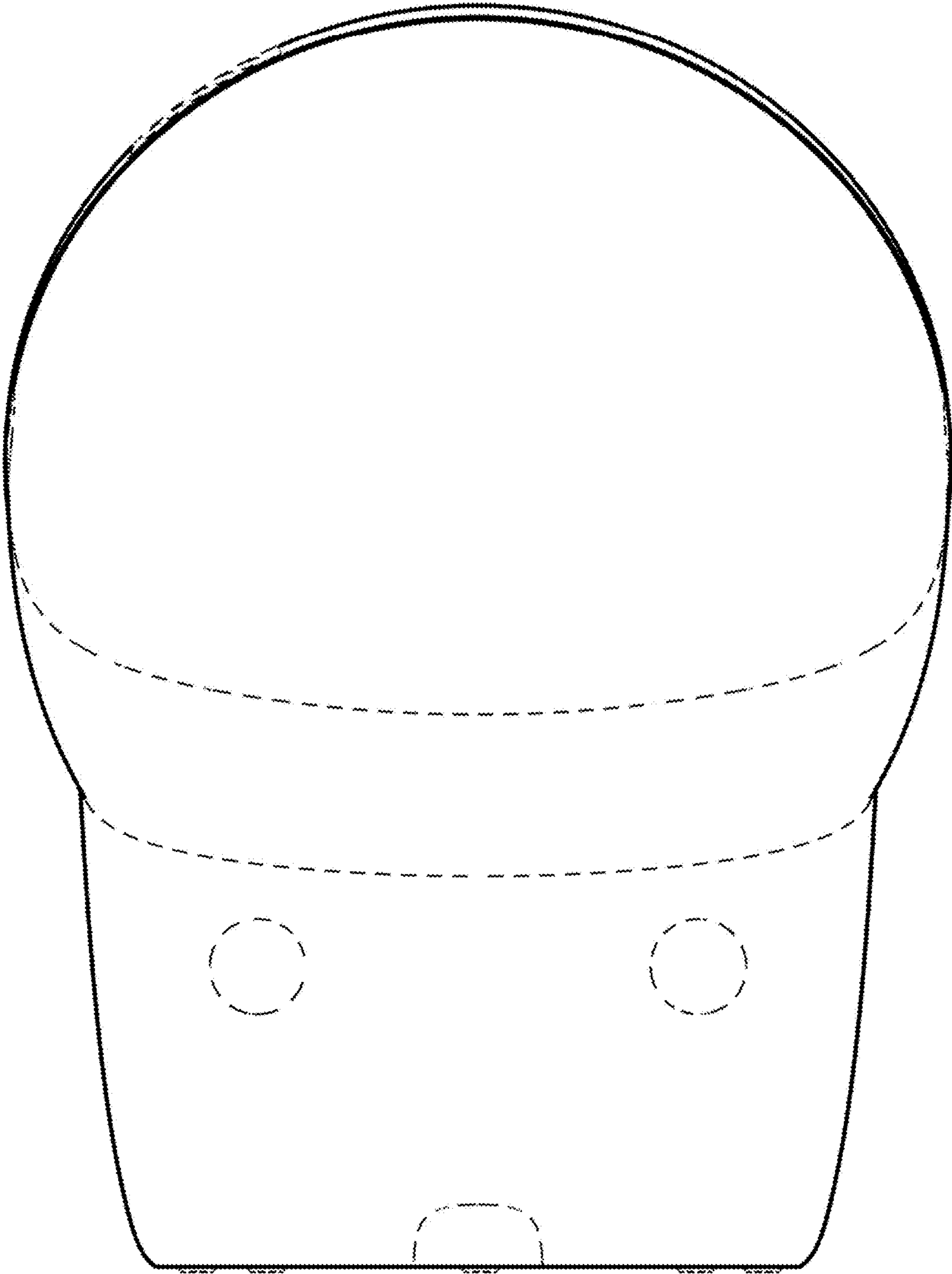
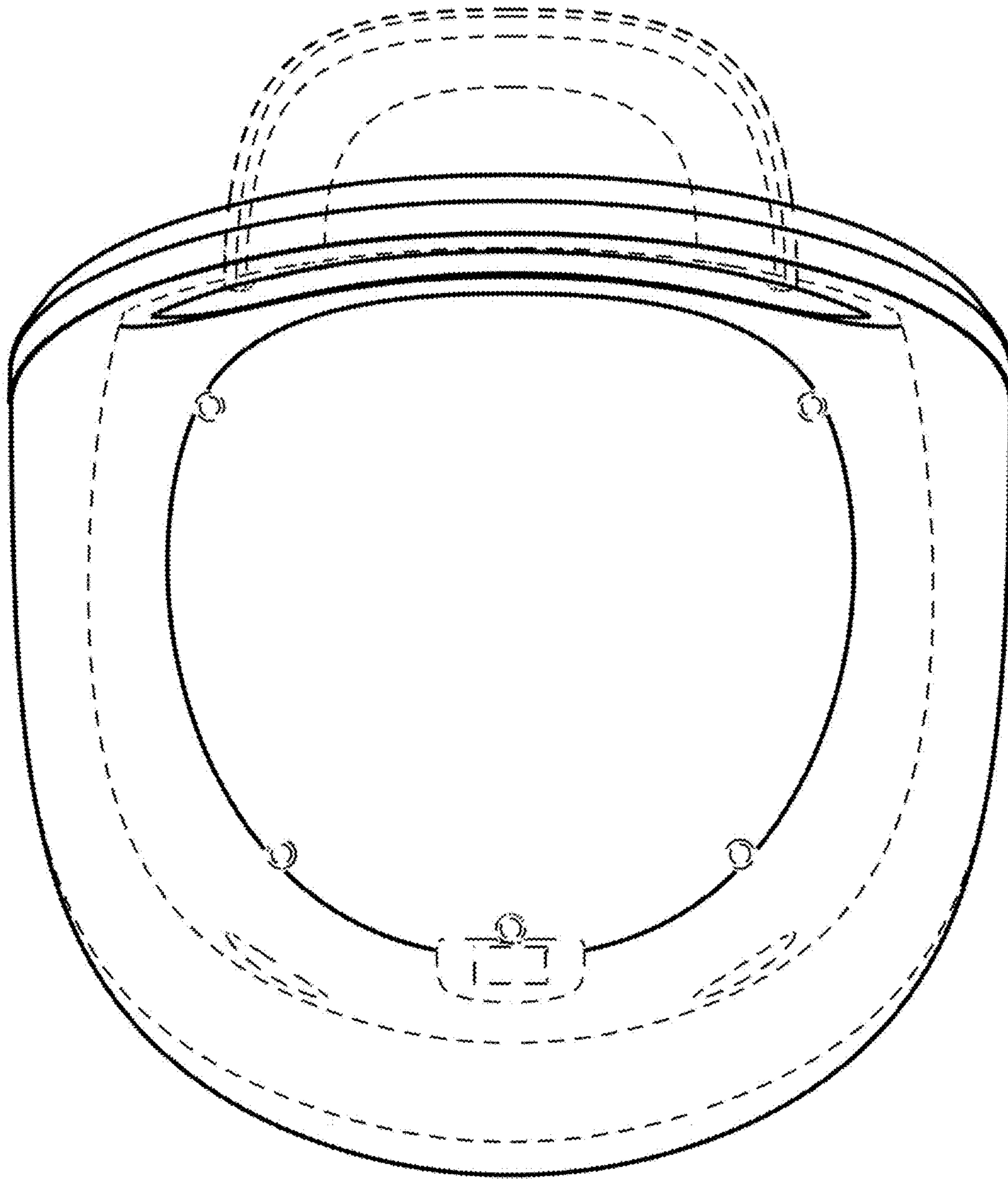
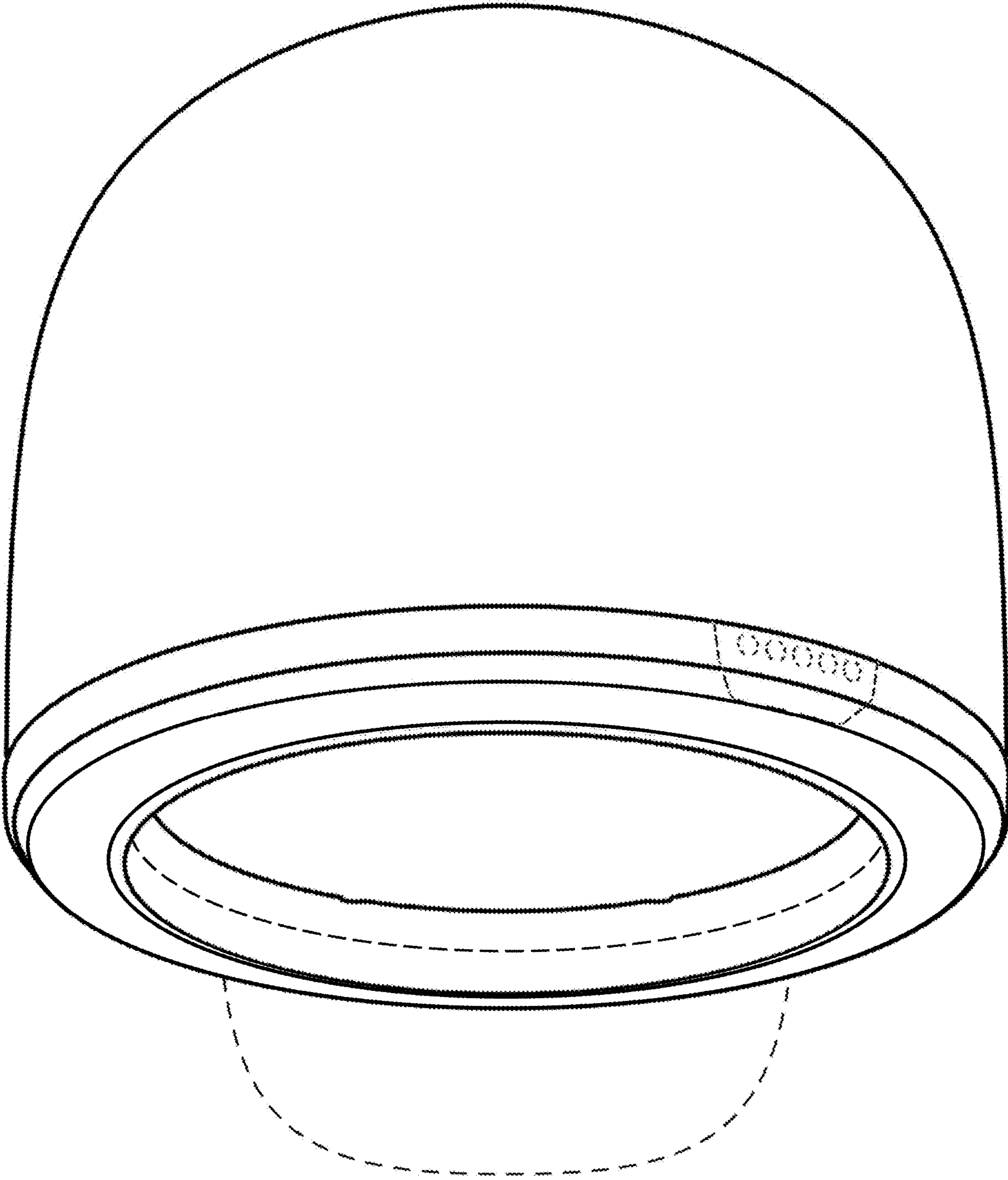


FIG.-4



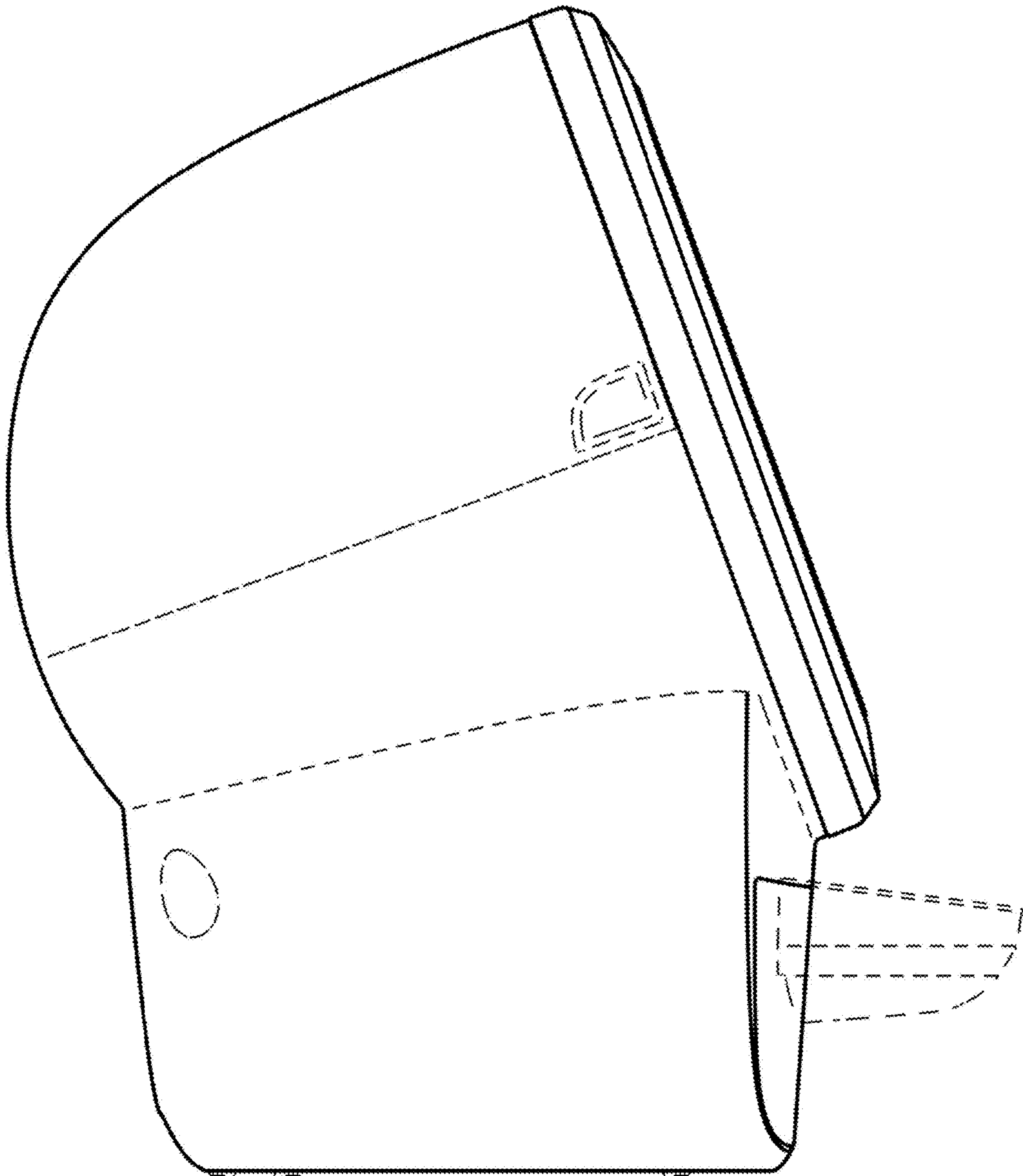
**FIG.-5**





**FIG.-6**





**FIG.-7**

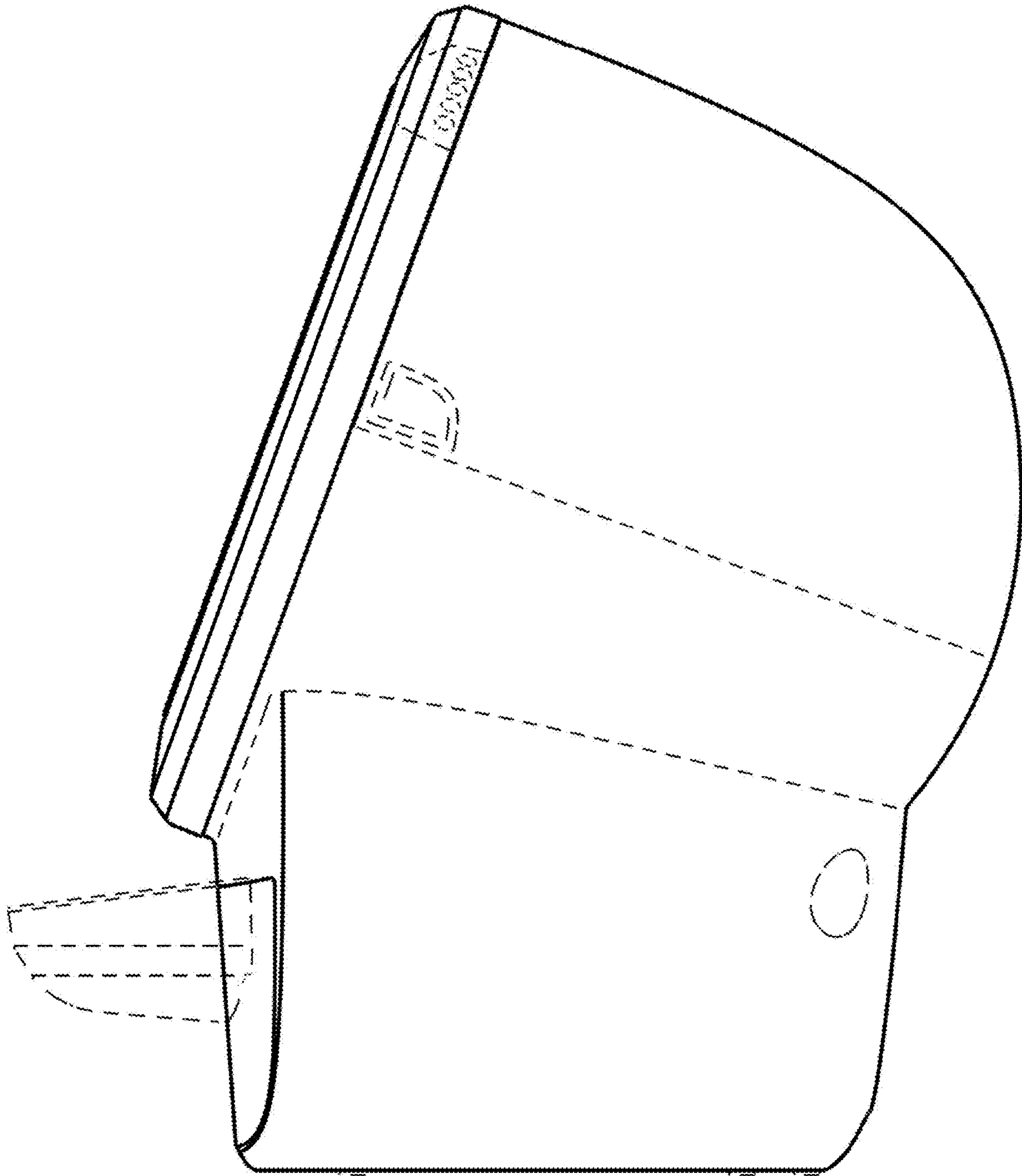


FIG.-8

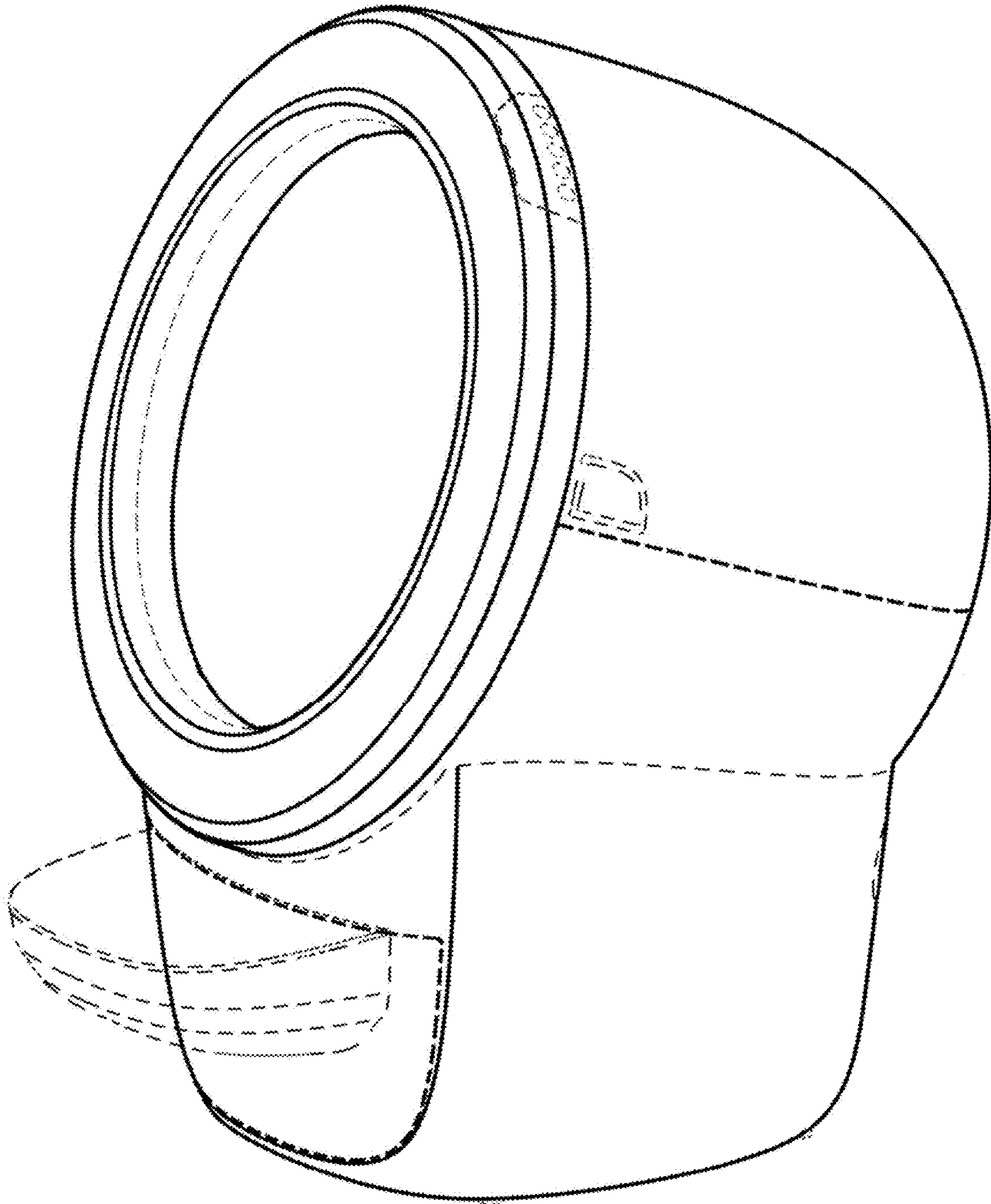
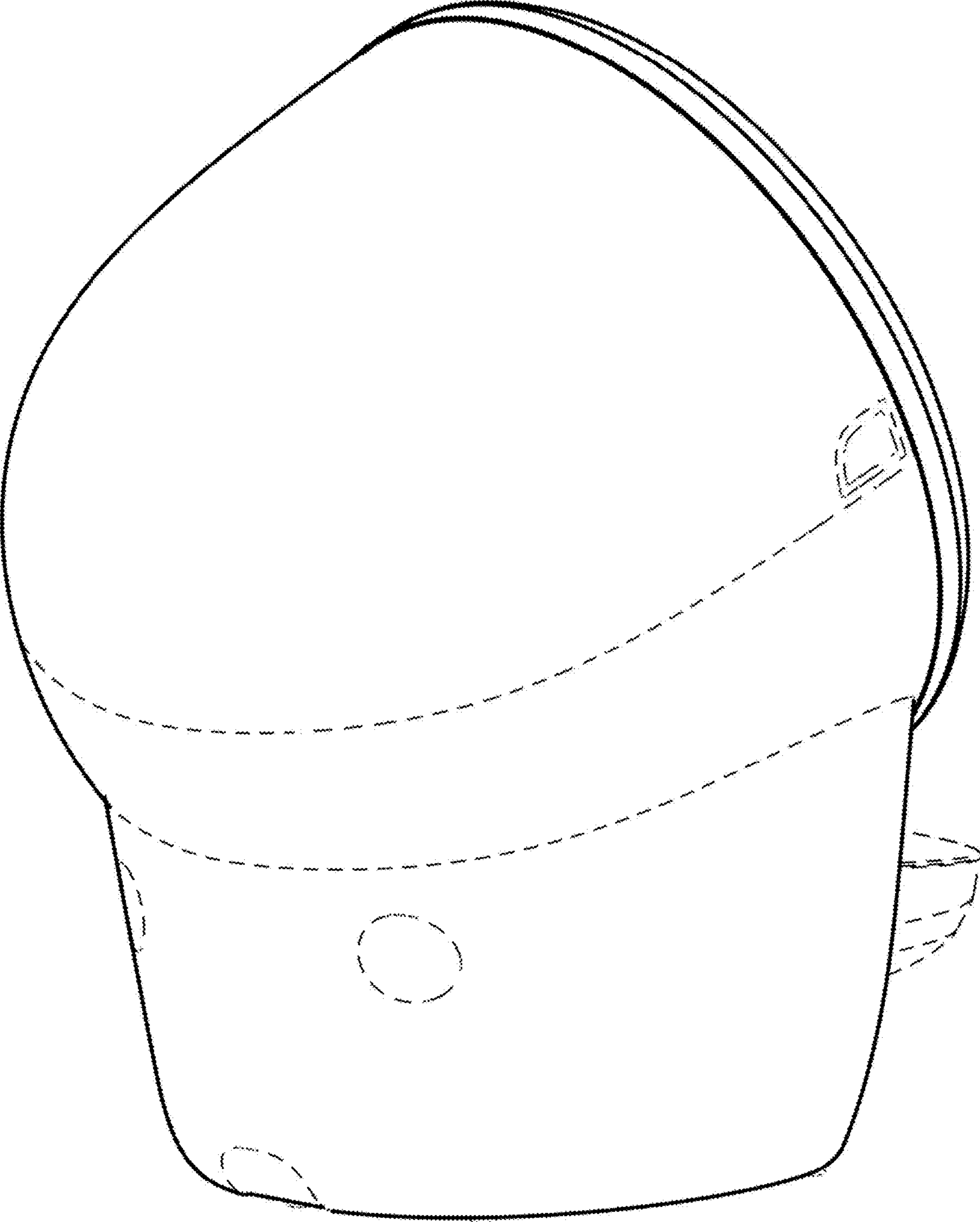


FIG.-9



**FIG.-10**



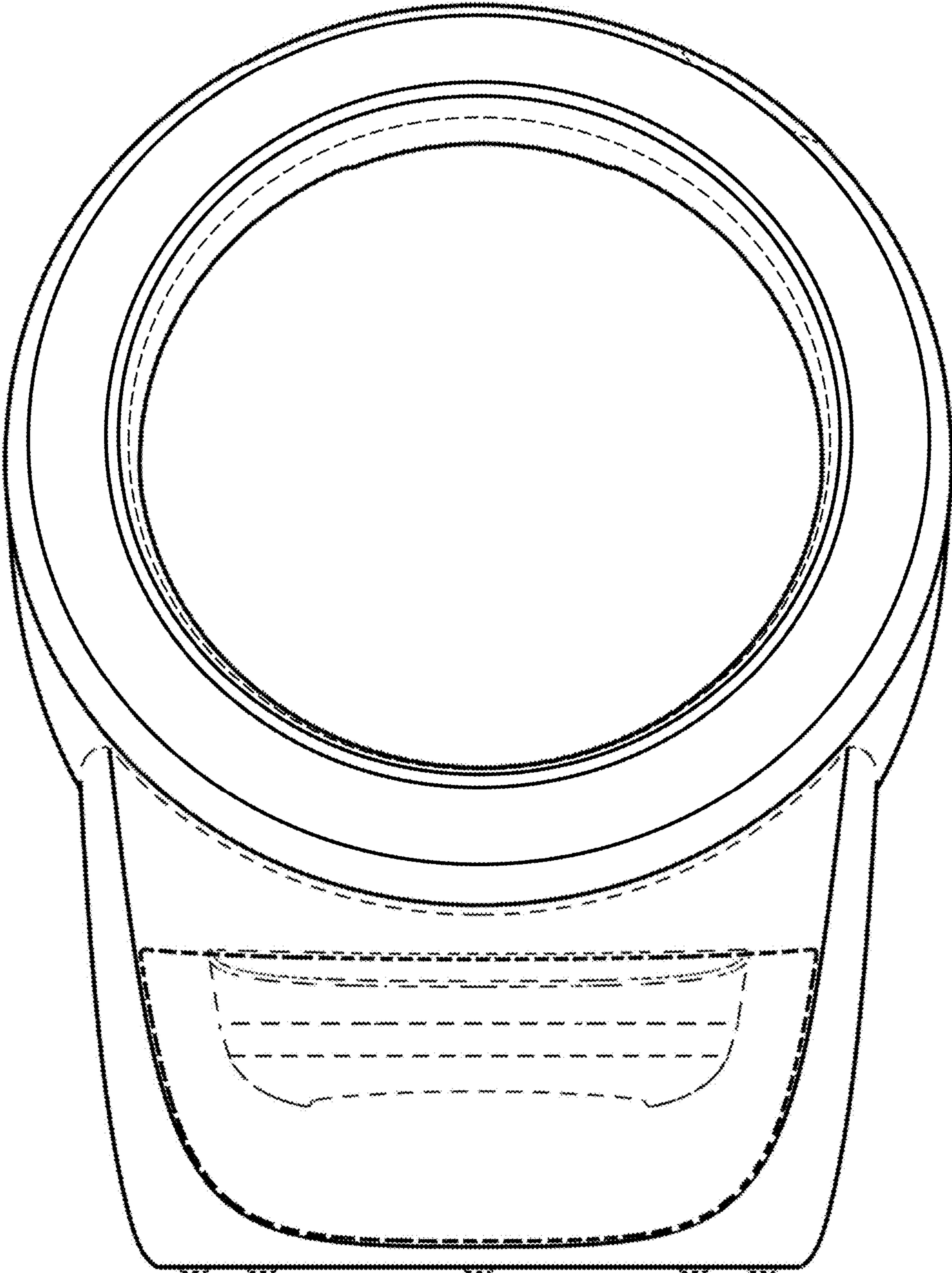


FIG.-11

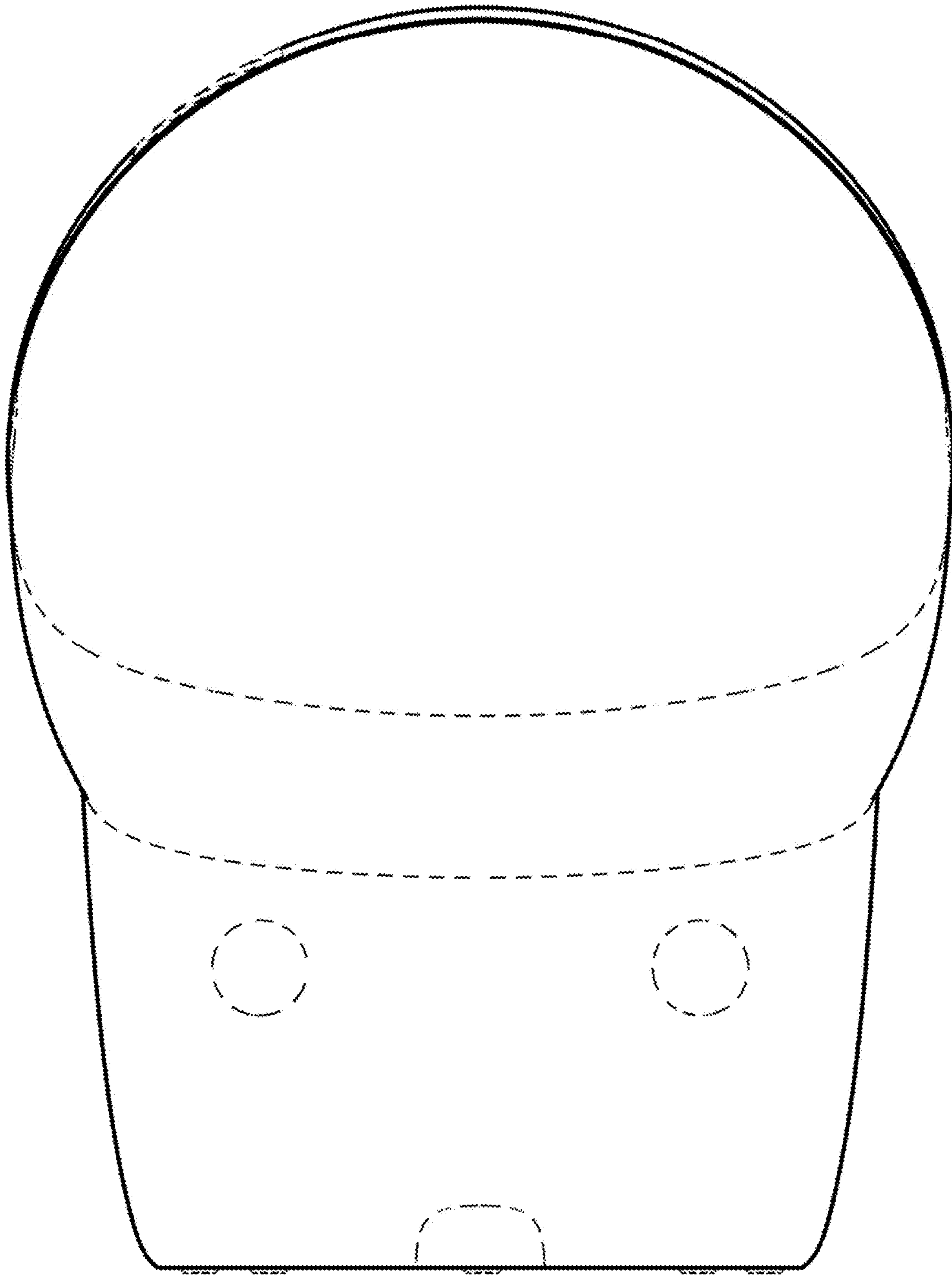
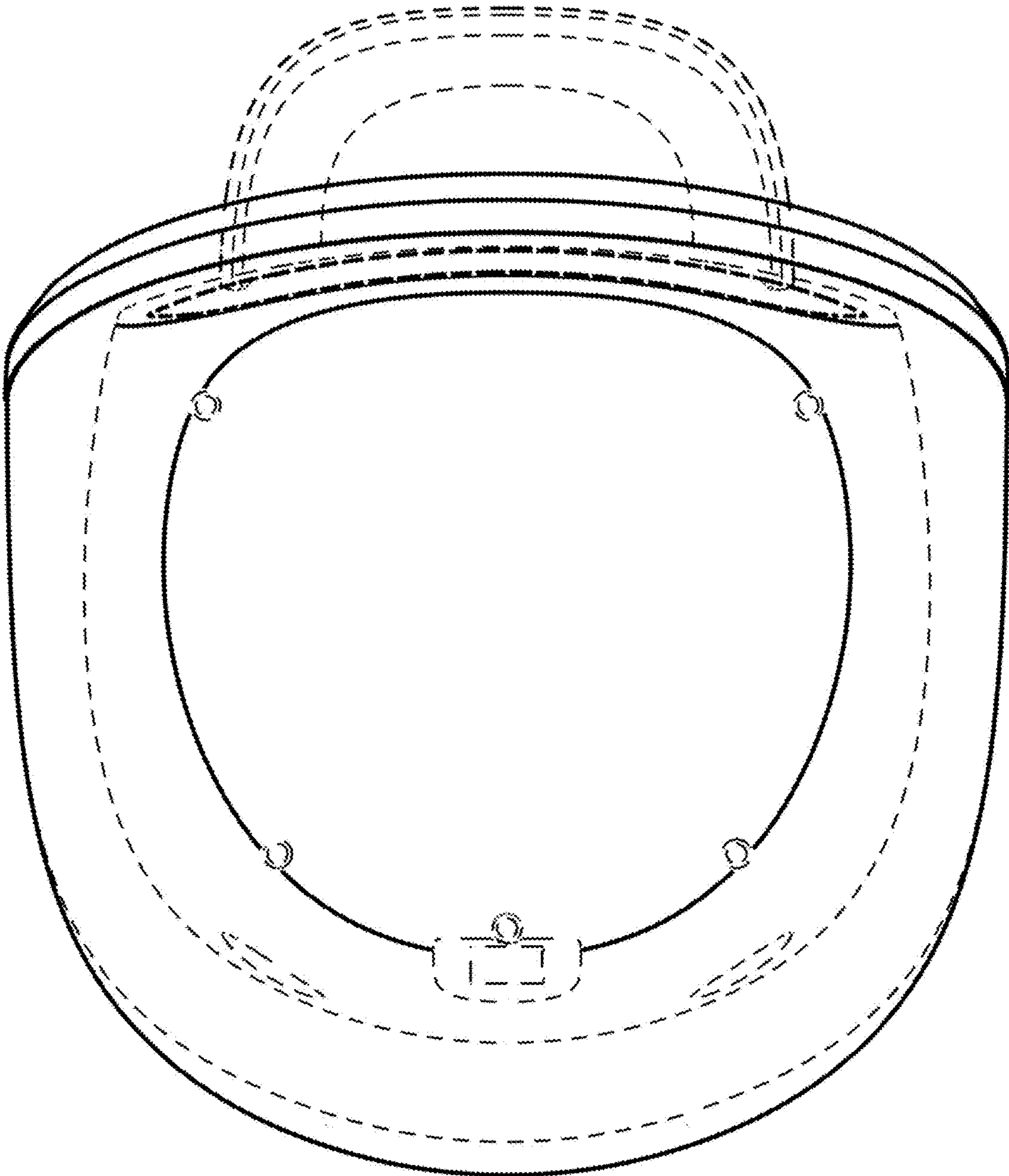
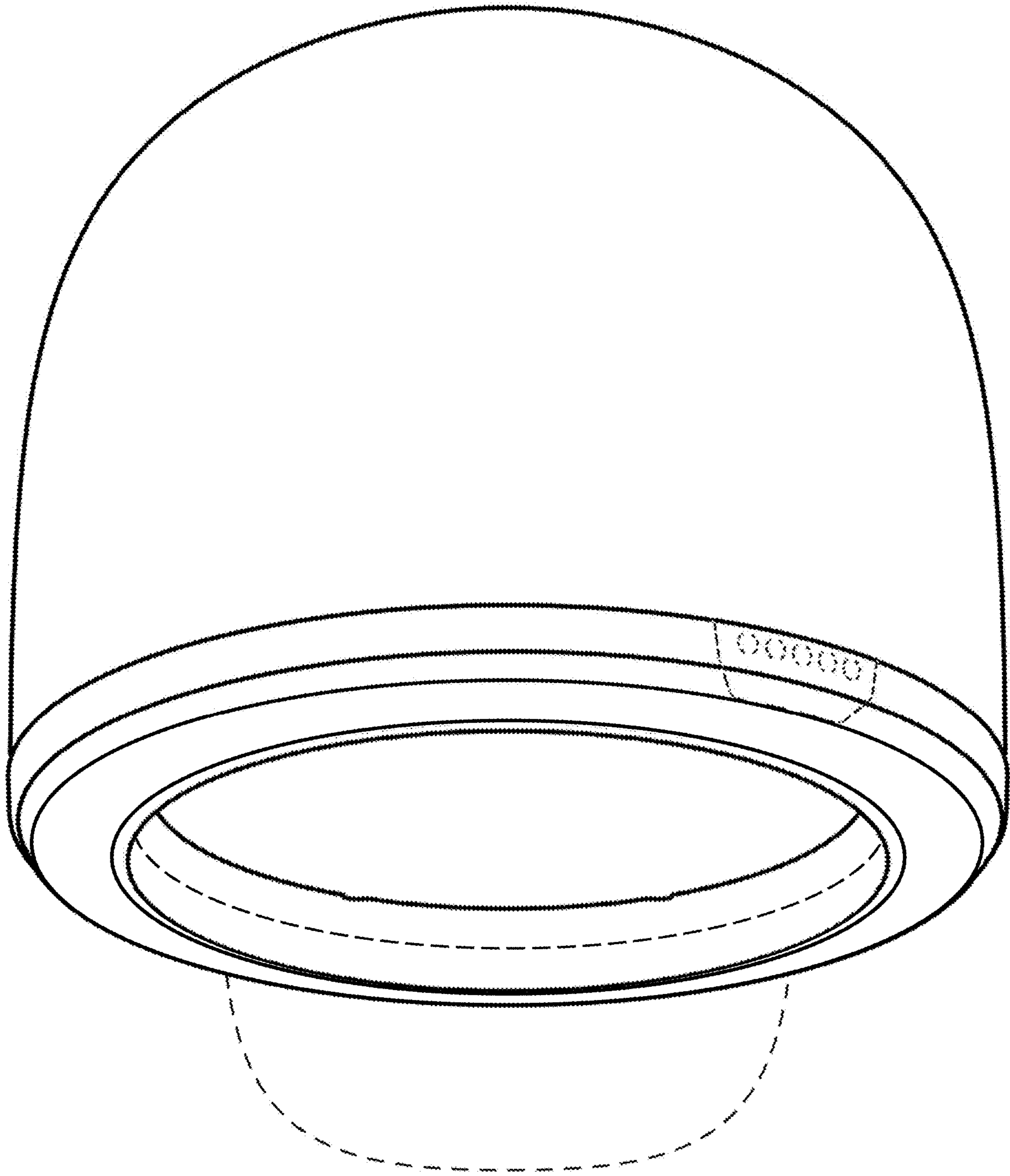


FIG.-12



**FIG.-13**



**FIG.-14**



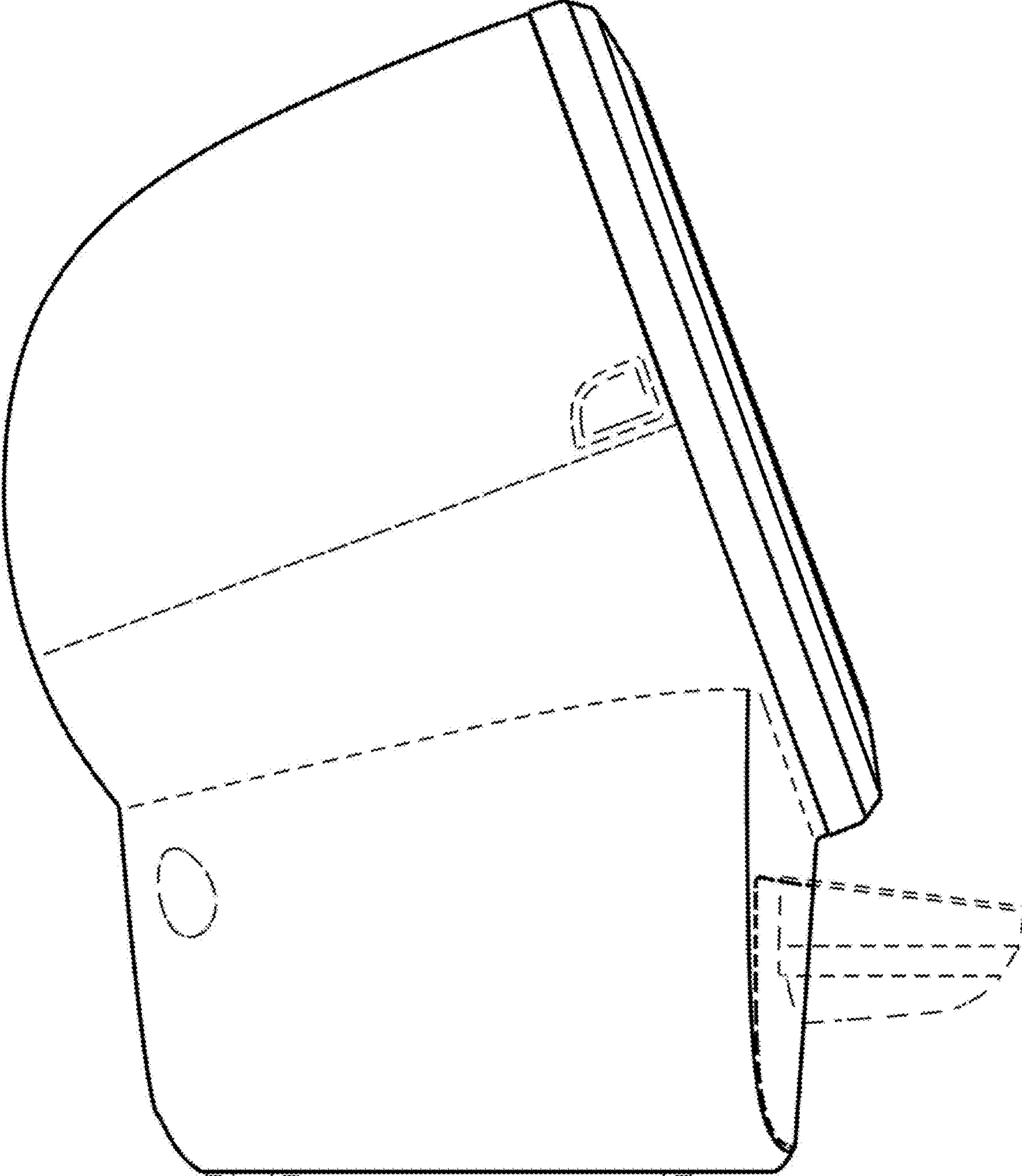
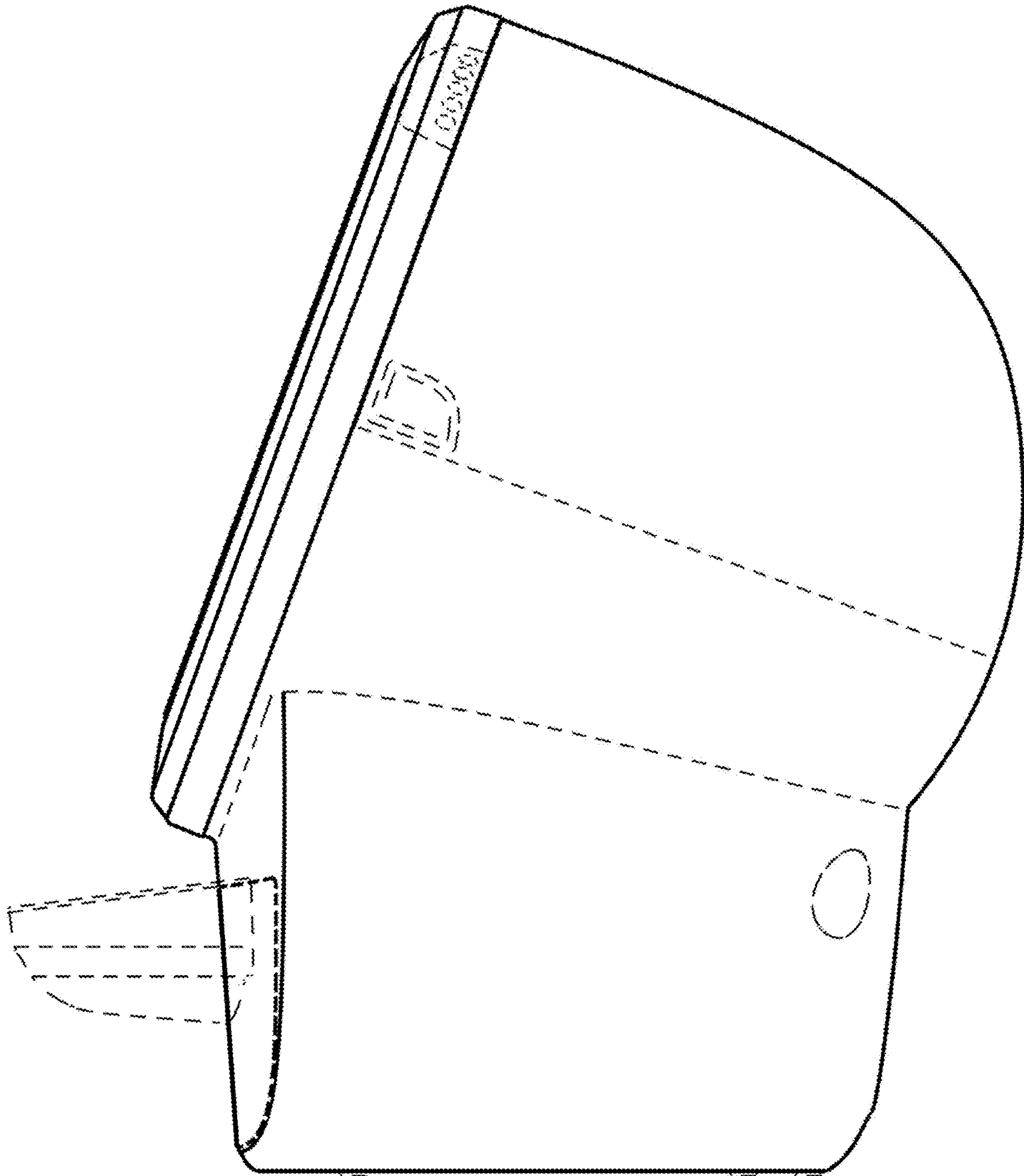


FIG.-15



**FIG.-16**