



US00D975934S

(12) **United States Design Patent**  
**Wu**

(10) **Patent No.:** **US D975,934 S**  
(45) **Date of Patent:** **\*\* Jan. 17, 2023**

(54) **PET LEASH**

(71) Applicant: **Xiaogang Wu**, Guangdong (CN)

(72) Inventor: **Xiaogang Wu**, Guangdong (CN)

(\*\*) Term: **15 Years**

(21) Appl. No.: **29/768,676**

(22) Filed: **Jan. 31, 2021**

(51) **LOC (14) Cl.** ..... **30-04**

(52) **U.S. Cl.**  
USPC ..... **D30/153**

(58) **Field of Classification Search**  
USPC ..... D10/72; D19/69; D26/79, 106;  
D30/145, 152, 153  
CPC ..... A01K 25/00; A01K 27/00; A01K 27/001;  
A01K 27/002; A01K 27/003; A01K  
27/004; A01K 27/005  
See application file for complete search history.

(56) **References Cited**

**U.S. PATENT DOCUMENTS**

D448,892 S *	10/2001	Hans	.....	A01K 27/004
				D30/153
D560,522 S *	1/2008	Farnworth	.....	D10/72
D592,249 S *	5/2009	Chang	.....	D19/69
D610,315 S *	2/2010	Lopusnak	.....	D30/153
D616,941 S *	6/2010	Bradfield	.....	D19/69
D634,461 S *	3/2011	Mattheis	.....	D30/153
D650,952 S *	12/2011	Kaneko	.....	D30/153
D694,963 S *	12/2013	Daniels	.....	D30/153
D879,389 S *	3/2020	Giesen	.....	D30/153
D903,185 S *	11/2020	Li	.....	D26/106
D932,681 S *	10/2021	Chen	.....	D26/104
11,357,213 B2 *	6/2022	Saukko	.....	A01K 27/004
2008/0006223 A1 *	1/2008	Sugalski	.....	A01K 27/006
				119/795
2008/0105214 A1 *	5/2008	Moulton	.....	A01K 1/04
				119/796
2009/0217886 A1 *	9/2009	Lopusnak	.....	A01K 27/004
				119/796
2010/0302767 A1 *	12/2010	Mattheis	.....	F21V 21/406
				362/184

(Continued)

**FOREIGN PATENT DOCUMENTS**

CN 304988477 \* 1/2019  
CN 307022624 \* 12/2021

(Continued)

**OTHER PUBLICATIONS**

Retractable Dog Leash \_Donut, available in designnest.com, announced Apr. 2, 2021 [online], [site visited Jul. 21, 2022], Internet URL: <https://www.designnest.com/Project/4f3d9s16f1ho/Retractable-Dog-Leash--Donut-> (Year: 2021).\*

(Continued)

*Primary Examiner* — Vy N Koenig  
*Assistant Examiner* — Elizabeth Anne Glassberg

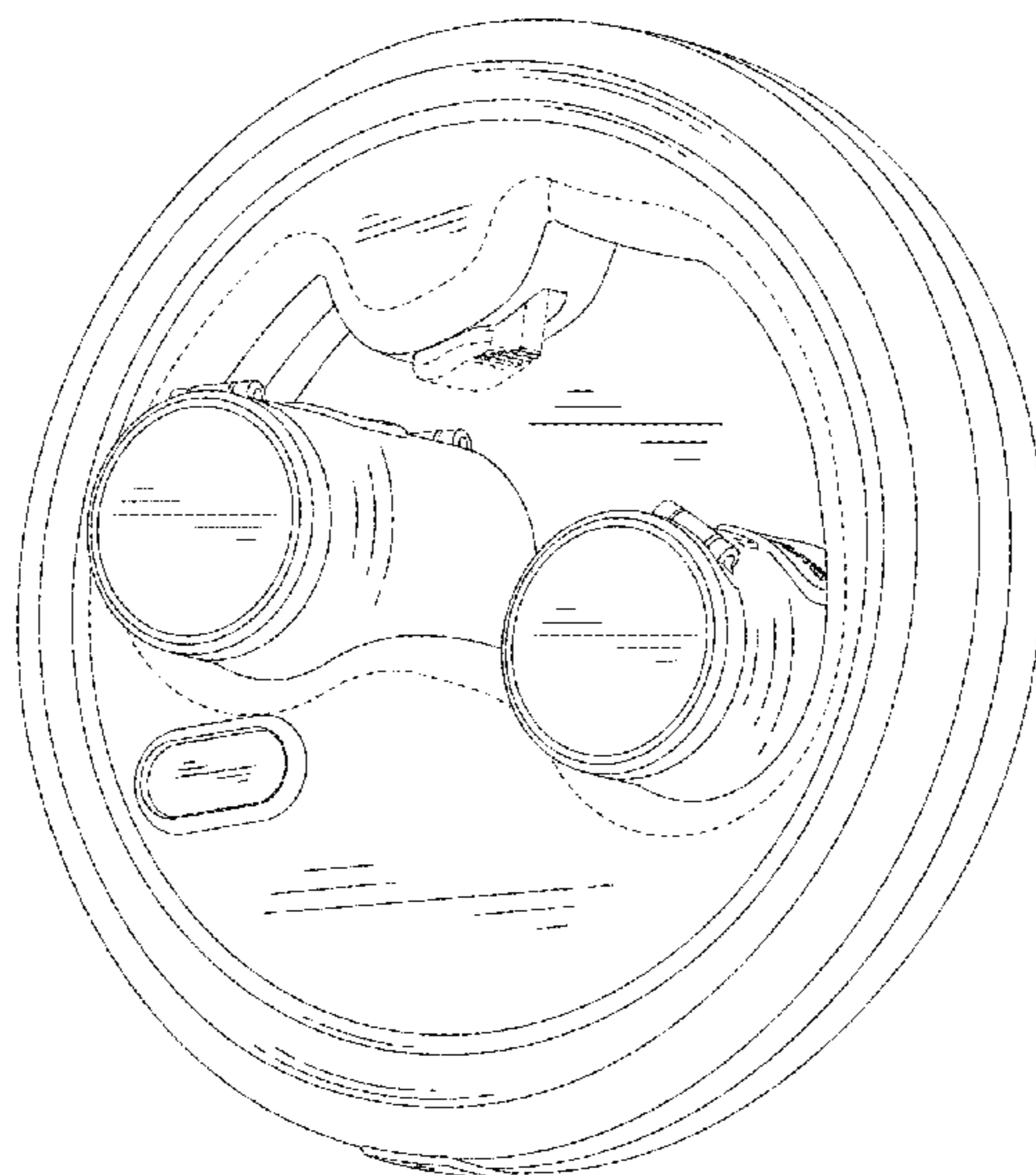
(57) **CLAIM**

The ornamental design for a pet leash, as shown and described.

**DESCRIPTION**

FIG. 1 is a perspective view of a pet leash showing my new design;  
FIG. 2 is a front elevational view thereof;  
FIG. 3 is a rear elevational view thereof;  
FIG. 4 is a left side elevational view thereof;  
FIG. 5 is a right side elevational view thereof;  
FIG. 6 is a top plan view thereof;  
FIG. 7 is a bottom plan view thereof; and,  
FIG. 8 is another perspective view in separate condition thereof.  
The broken lines in the figures illustrate portions of the pet leash that form no part of the claimed design.

**1 Claim, 8 Drawing Sheets**



(56)

**References Cited**

U.S. PATENT DOCUMENTS

2014/0000533 A1\* 1/2014 Limberis ..... A01K 27/006  
119/796  
2017/0142936 A1\* 5/2017 Louro ..... A01K 27/005  
2018/0242557 A1\* 8/2018 Woods ..... A01K 27/004  
2019/0082658 A1\* 3/2019 Catena ..... A01K 27/004  
2019/0141958 A1\* 5/2019 Price ..... A01K 27/004  
119/796  
2021/0045357 A1\* 2/2021 Alexander ..... A01K 27/004

FOREIGN PATENT DOCUMENTS

CN 307127657 \* 2/2022  
KR 301096356 \* 2/2021

OTHER PUBLICATIONS

Connected Canine Walkers \_ Tech Dog Leash, Petkit, the Go Smart Dog Leash, available in trendhunter.com, announced Aug. 7, 2017 [online], [site visited Jul. 21, 2022], Internet URL: <https://www.trendhunter.com/trends/tech-dog-leash> (Year: 2017).\*

\* cited by examiner

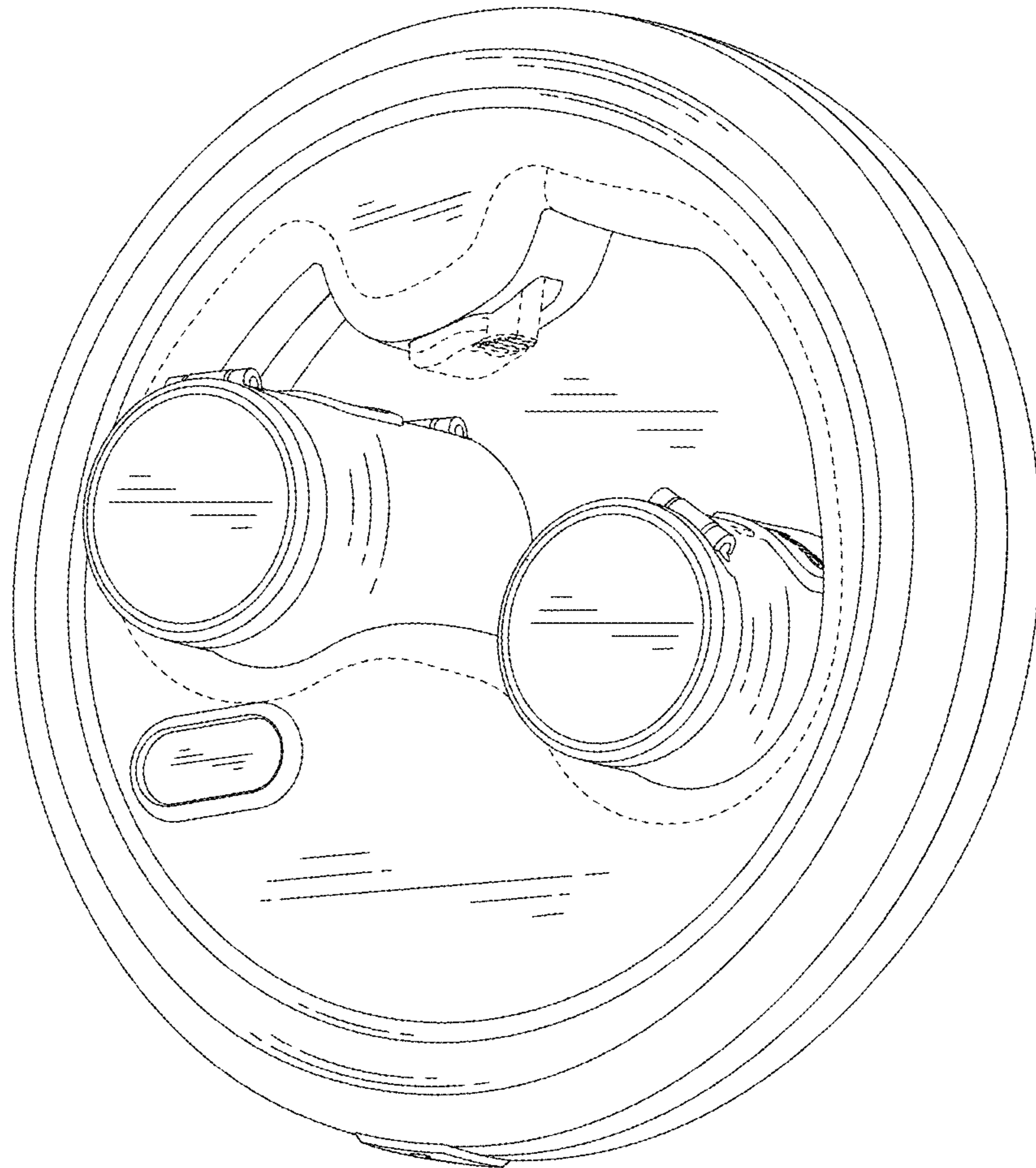


FIG.1

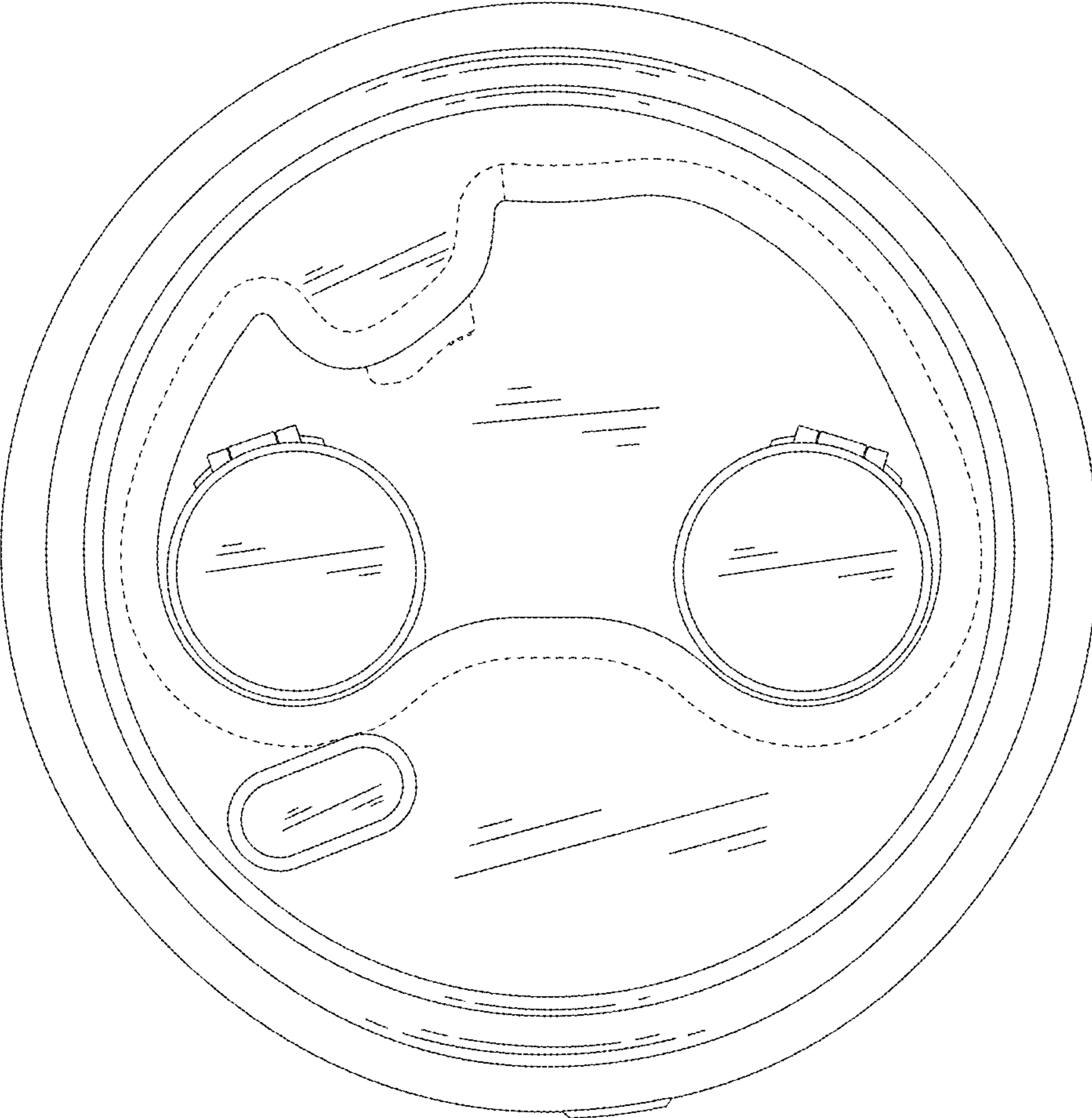


FIG.2

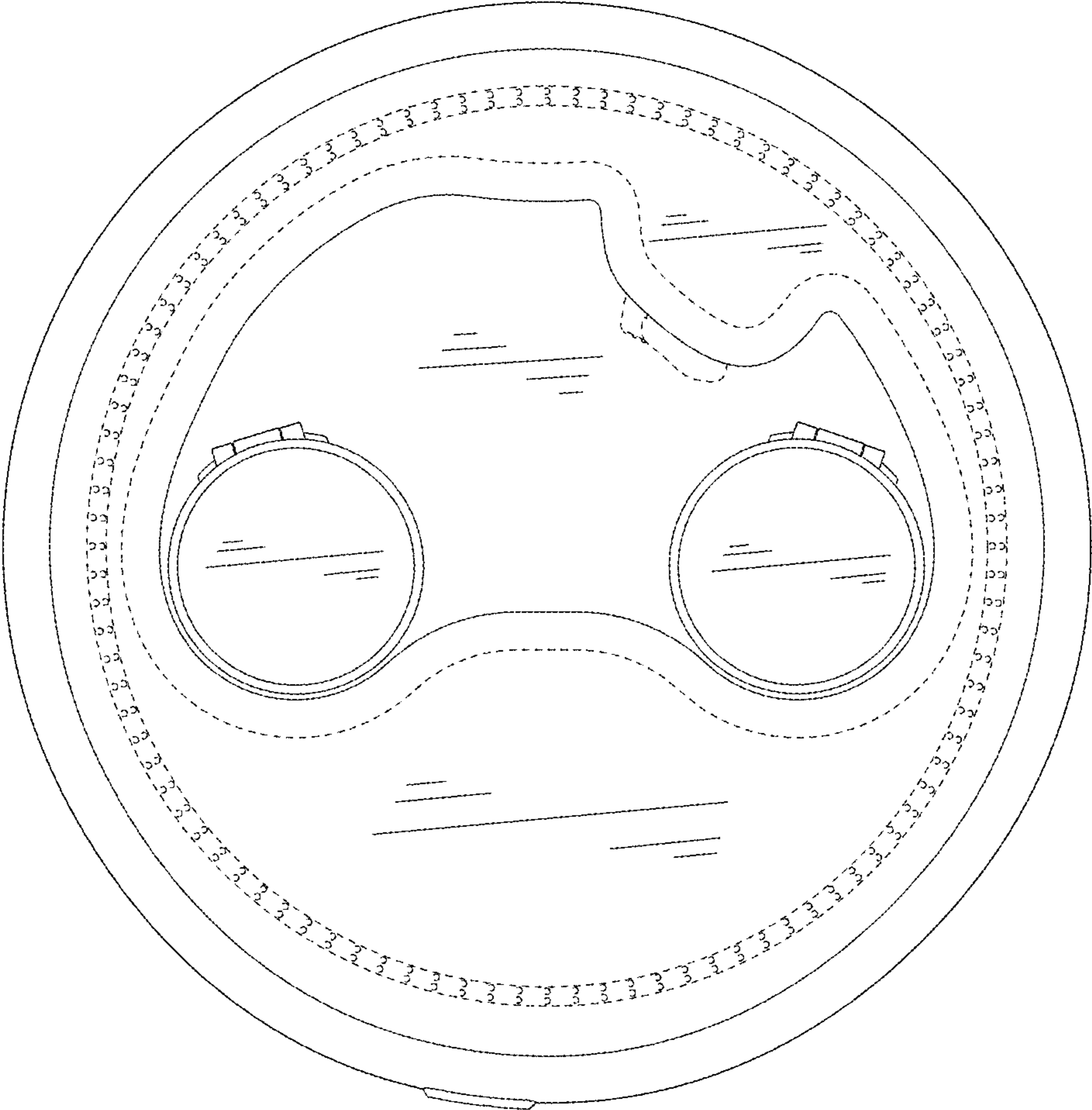


FIG.3

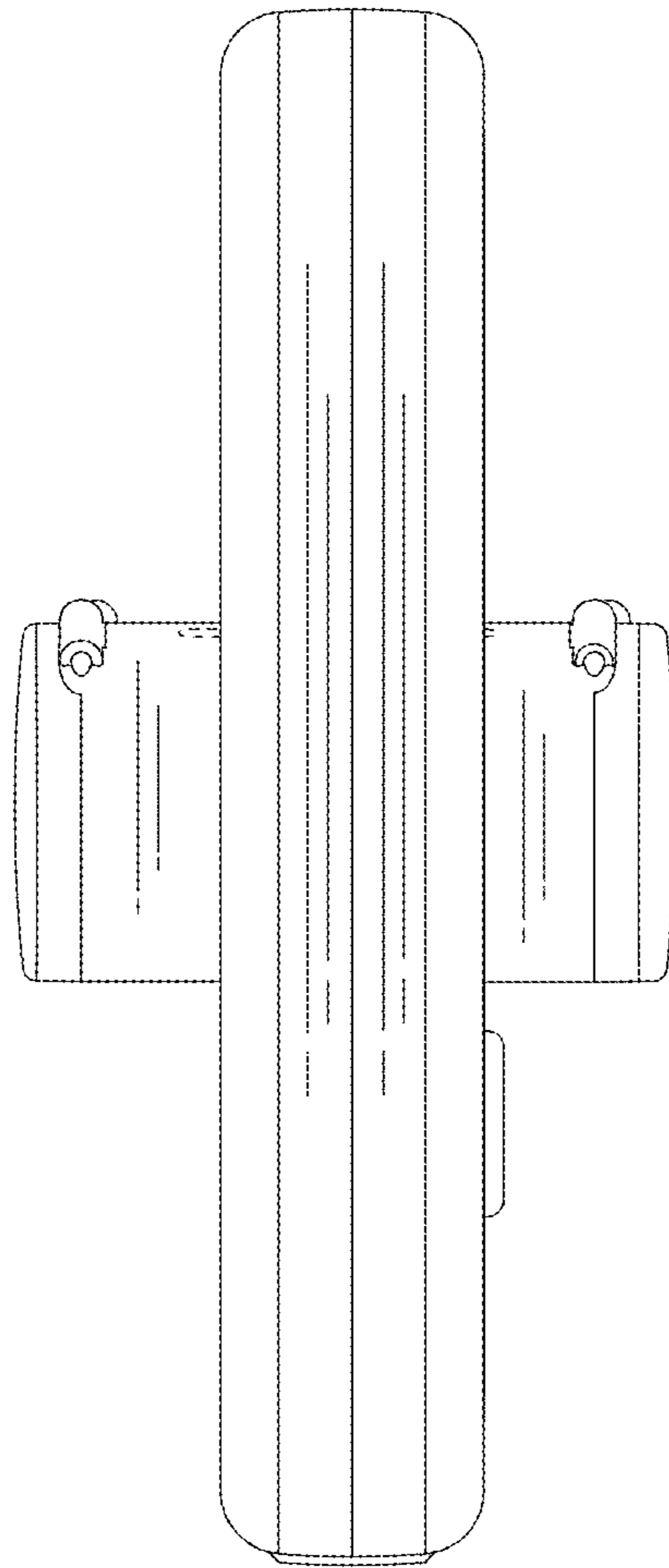


FIG.4

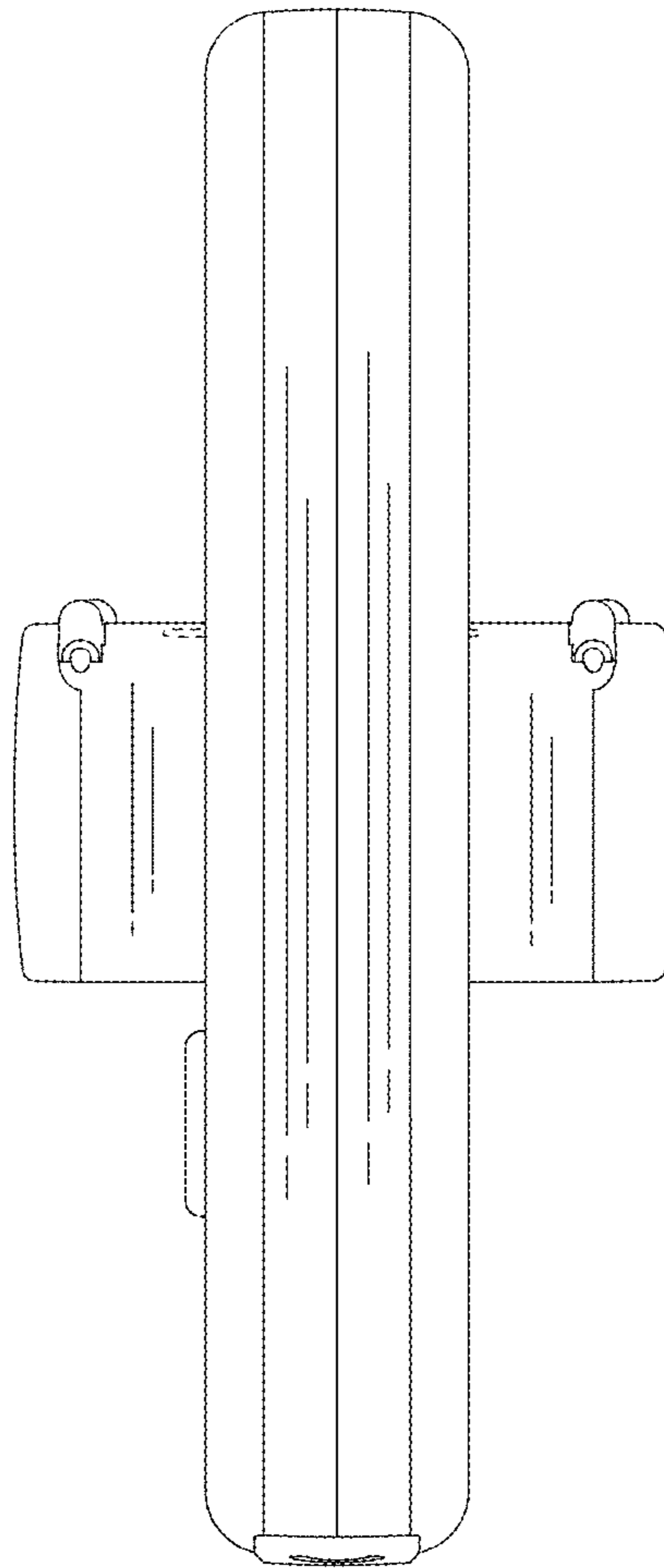


FIG.5

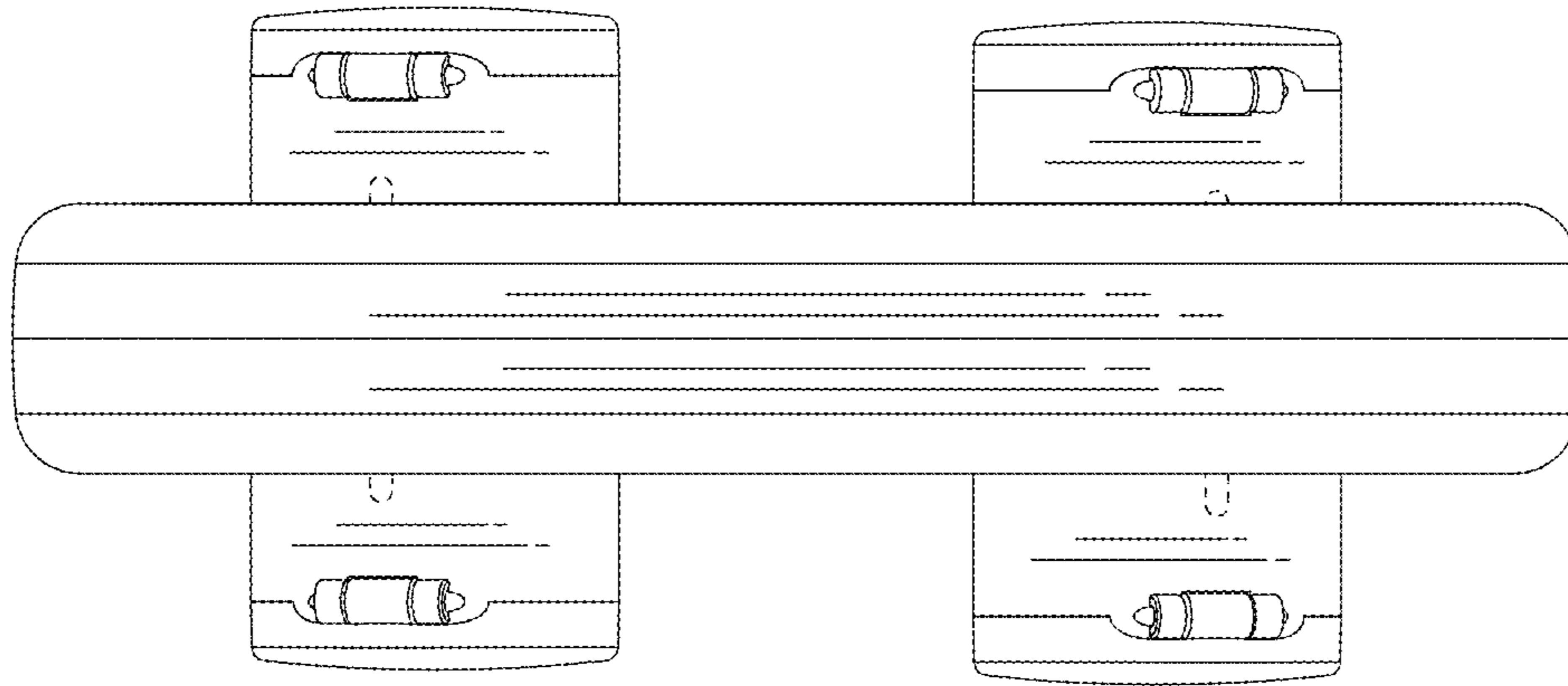


FIG.6



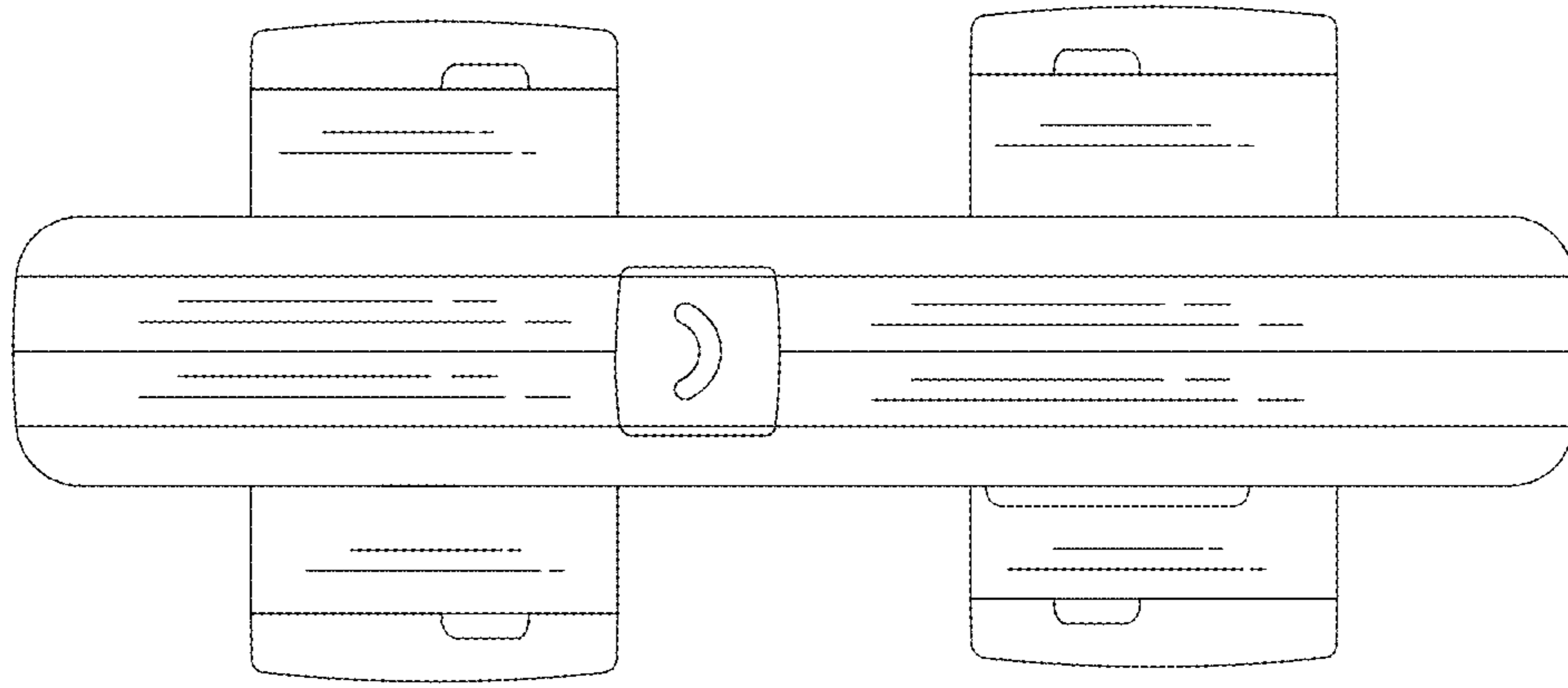


FIG.7

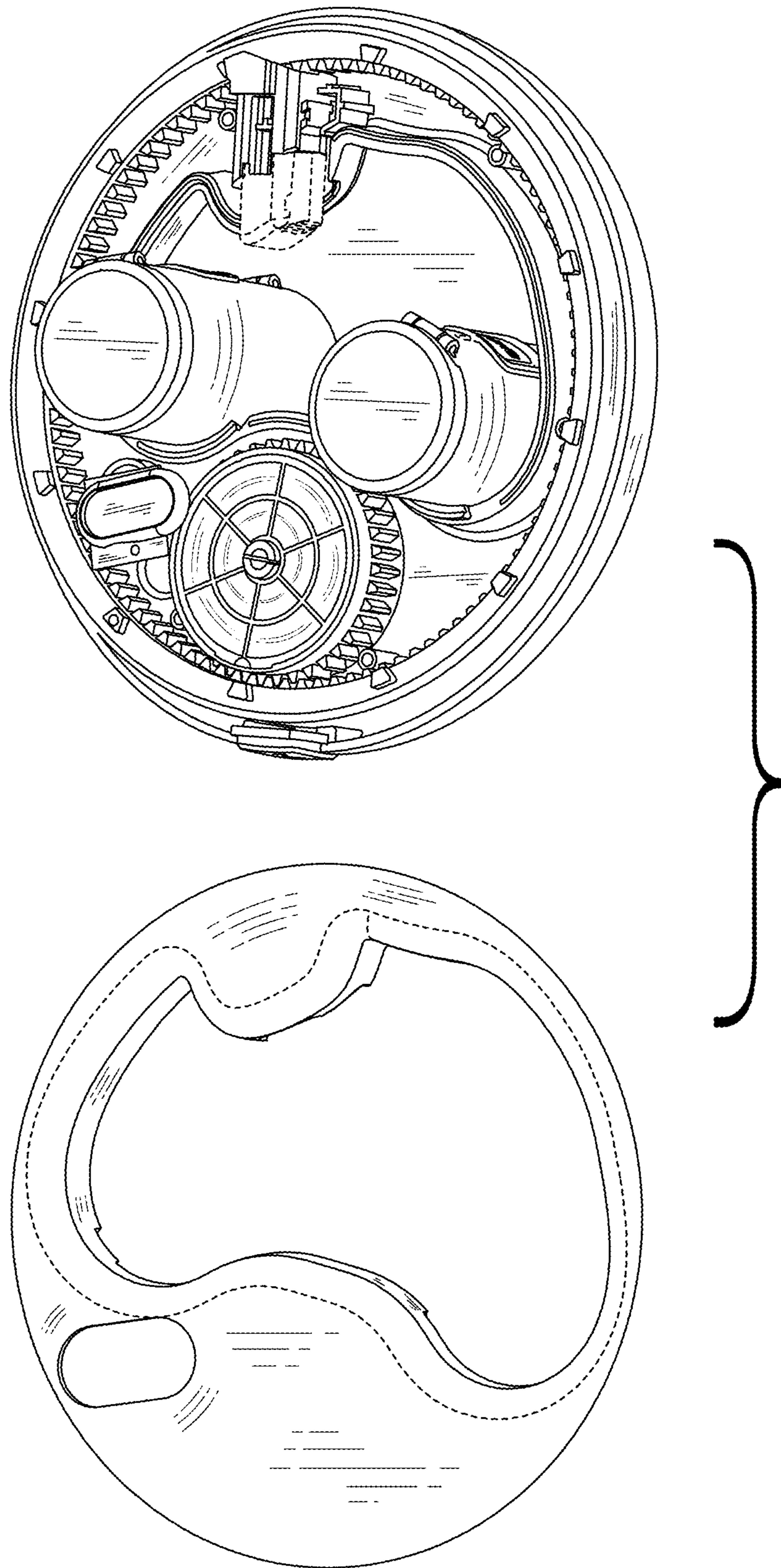


FIG.8