



US00D975933S

(12) **United States Design Patent**
Huh et al.

(10) **Patent No.:** **US D975,933 S**
(45) **Date of Patent:** **** Jan. 17, 2023**

(54) **WATER PURIFIER FOR PET**

(71) Applicant: **N15 Co., Ltd.**, Seoul (KR)

(72) Inventors: **Jea Huh**, Seoul (KR); **Sunjong Ryu**,
Seoul (KR); **Jaegung Lee**, Seoul (KR);
Sanghyun Lee, Seoul (KR)

(73) Assignee: **N15 Co., Ltd.**, Seoul (KR)

(**) Term: **15 Years**

(21) Appl. No.: **29/734,757**

(22) Filed: **May 15, 2020**

(30) **Foreign Application Priority Data**

Nov. 15, 2019 (KR) 30-2019-0054565

(51) **LOC (14) Cl.** **30-03**

(52) **U.S. Cl.**
USPC **D30/132**

(58) **Field of Classification Search**

USPC D30/121, 122, 129–133, 199; 119/51.01,
119/51.02, 51.03, 51.11, 51.15, 51.5, 70,
119/52.1, 52.3, 52.4, 53, 53.5, 54, 57.92,
119/61.1, 61.3, 61.5, 61, 61.53, 61.54,
119/61.55, 68, 72, 73, 74, 75, 78, 174;
D21/385, 386, 468, 470, 471, 473, 478,
D21/479, 505

CPC . A01K 5/00; A01K 7/00; A01K 39/02; A01K
39/04; A01K 39/0213; A01K 5/0114;
A01K 5/0121; A01K 5/0135; A01K 7/005

See application file for complete search history.

(56) **References Cited**

U.S. PATENT DOCUMENTS

2,839,842 A * 6/1958 Keyko A63F 9/1288
273/156
D343,754 S * 2/1994 Pierce D6/601

D346,465 S * 4/1994 Russell D30/130
D359,083 S * 6/1995 Engelbrecht D21/478
D409,687 S * 5/1999 Mak D21/505
D411,605 S * 6/1999 Acosta D23/201
D787,612 S * 5/2017 Clahsen D21/505
D841,771 S * 2/2019 Tappeiner D23/201

OTHER PUBLICATIONS

“N15 Pyramid” available Oct. 31, 2020, [online], [site visited Mar. 12, 2022]. Retrieved from Internet, URL:https://www.amazon.com/N15-Pyramid-Automatic-Dispenser-Replacement/dp/B08M5PJV7K?th=1 (Year: 2020).*

“Crapelles Indoor Tabletop Fountain” available Dec. 29, 2020, [online], [site visited]. Retrieved from Internet, URL:https://www.amazon.com/crapelles-Tabletop-Fountain-Relaxation-Waterfall/dp/B08RHL6LRH/ref=sr_1_1 (Year: 2020).*

(Continued)

Primary Examiner — Katrina N Gonzalez

(74) *Attorney, Agent, or Firm* — Fish & Richardson P.C.

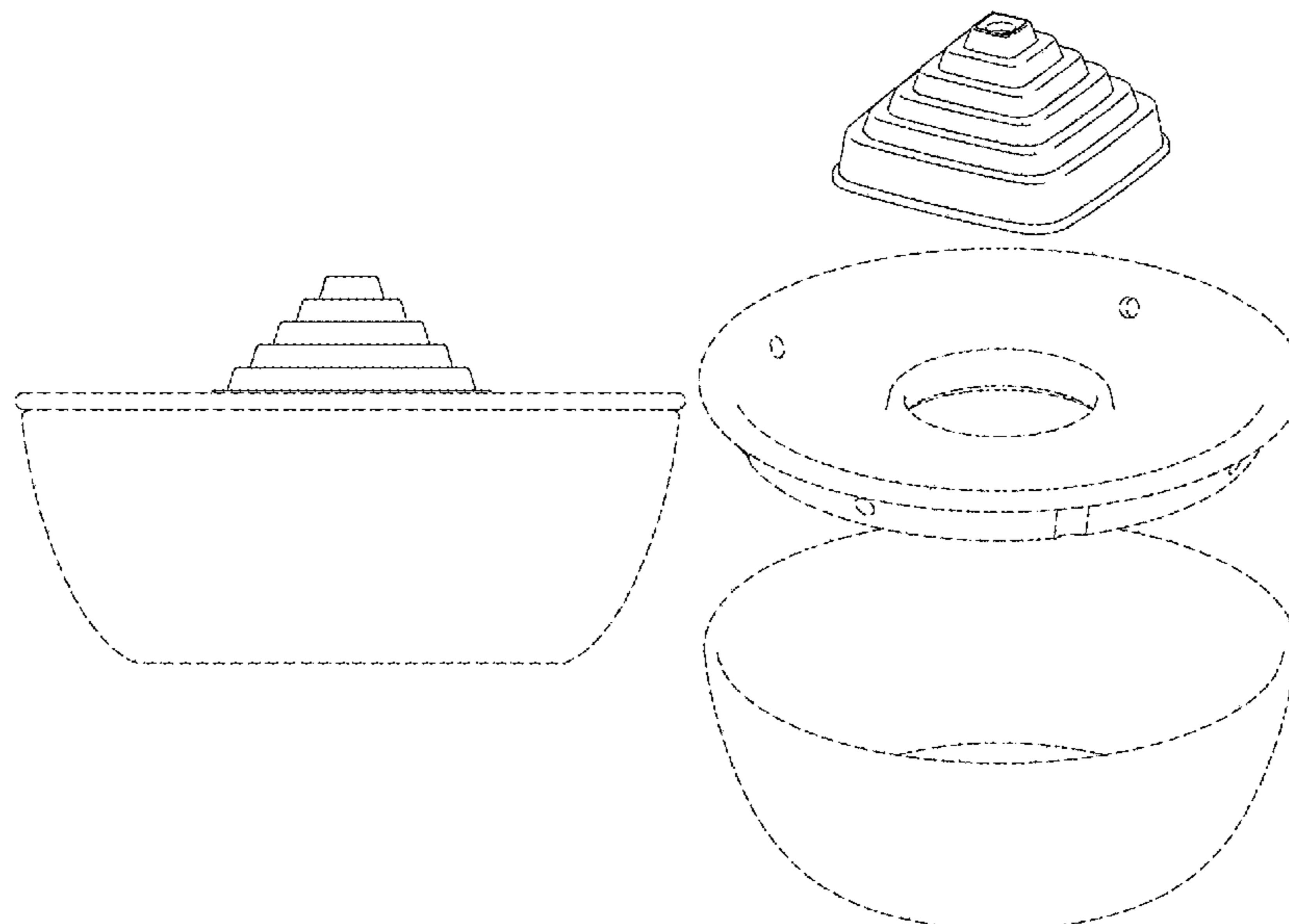
(57) **CLAIM**

The ornamental design for a water purifier for pet, substantially as shown and described.

DESCRIPTION

FIG. 1 is a perspective view of the water purifier for pet; FIG. 2 is a front view thereof; FIG. 3 is a rear view thereof; FIG. 4 is a left side view thereof; FIG. 5 is a right side view thereof; FIG. 6 is a top view thereof; FIG. 7 is a bottom view thereof; and, FIG. 8 is an exploded, perspective view thereof, shown disassembled for completeness of illustration. The evenly spaced broken lines shown in these figures illustrate portions of the water purifier for pet and form no part of the claimed design.

1 Claim, 8 Drawing Sheets



(56)

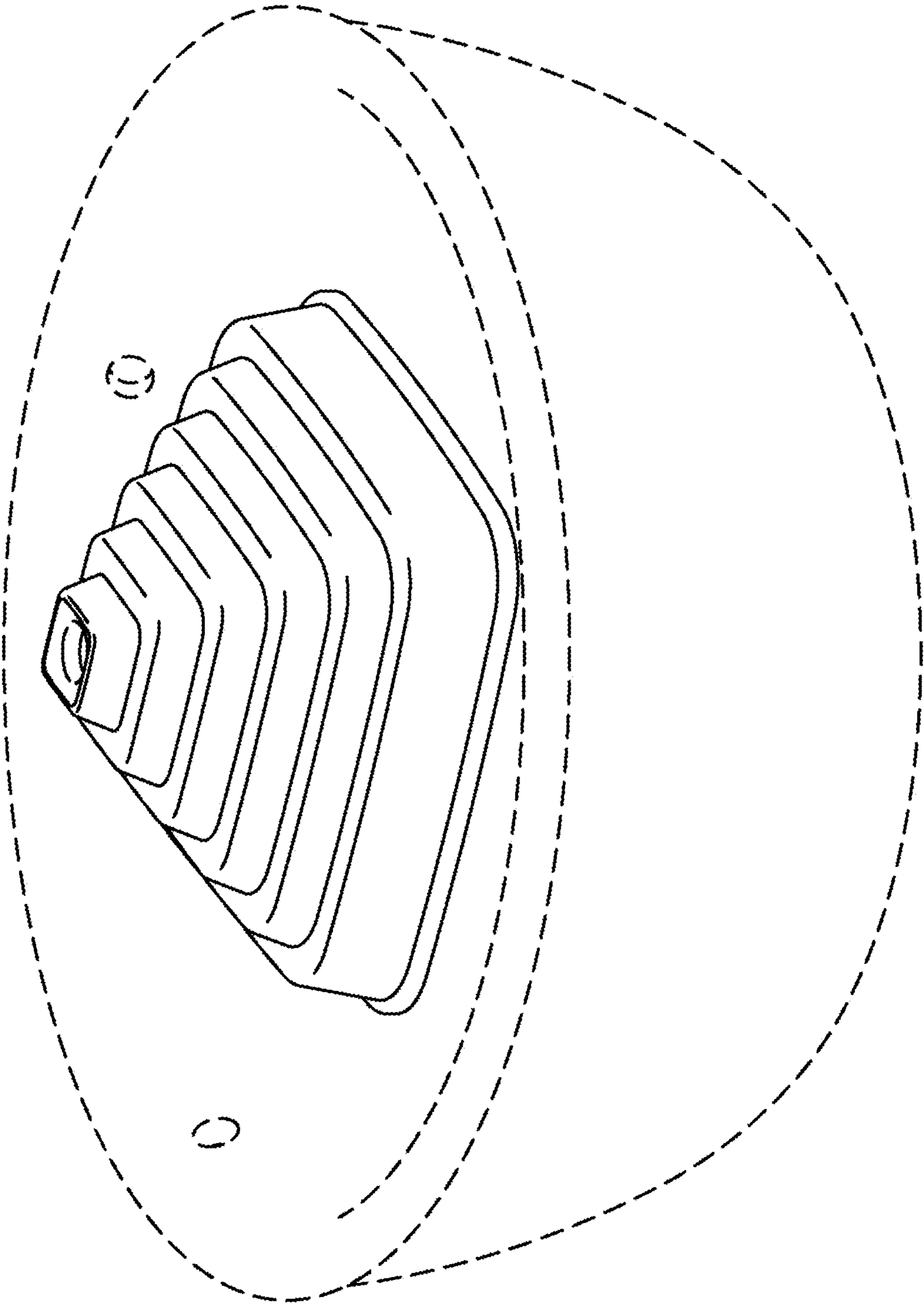
References Cited

OTHER PUBLICATIONS

“Veken 100oz/3L Multi-Tier Pet Fountain” available Jul. 3, 2020, [online], [site visited Mar. 12, 2022]. Retrieved from Internet, URL:https://www.amazon.com/Veken-Fountain-Automatic-Replacement-Multiple/dp/B08CB16XDC/ref=sr_1_13 (Year: 2020).*

* cited by examiner

FIG.1



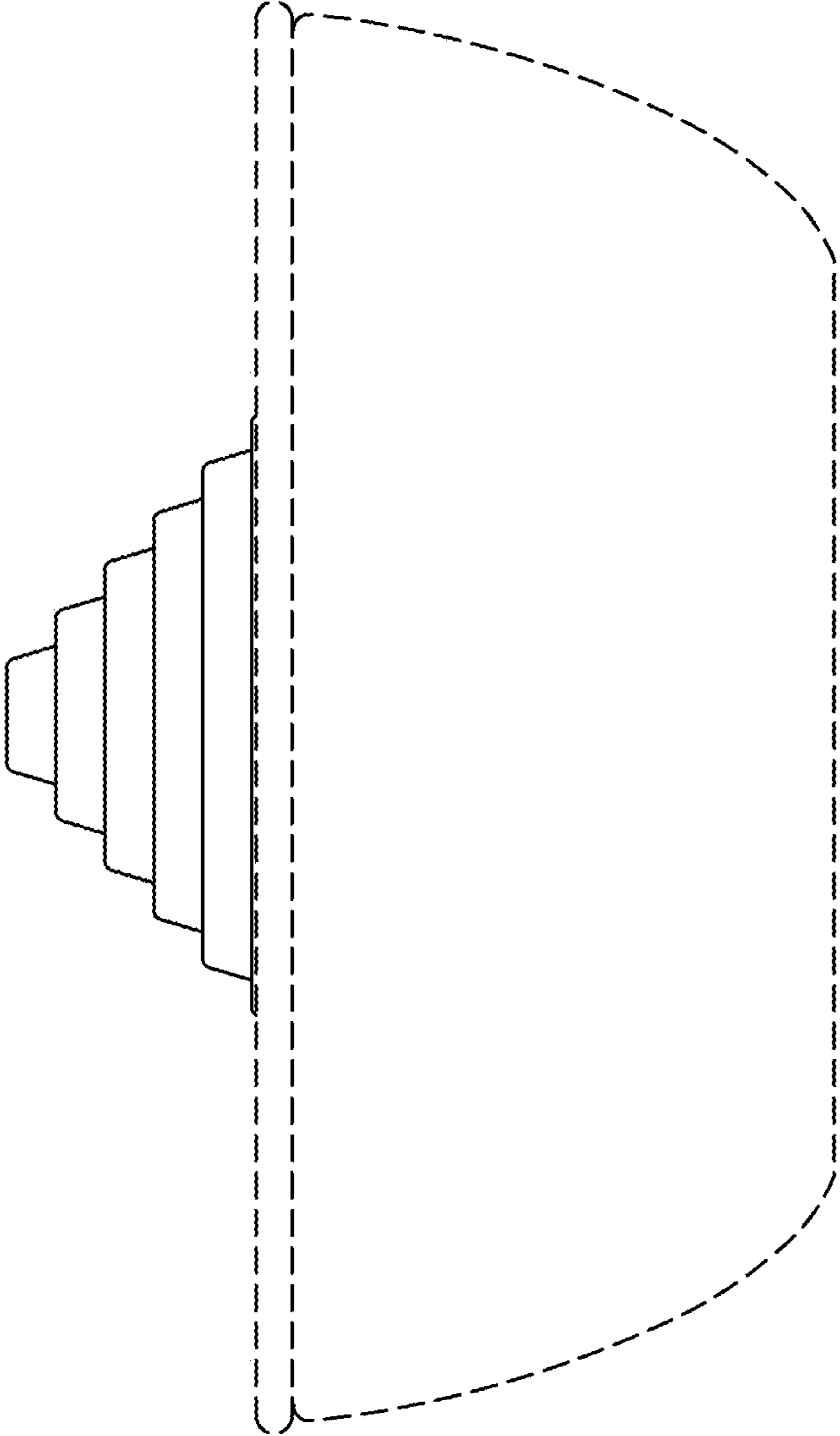


FIG. 2

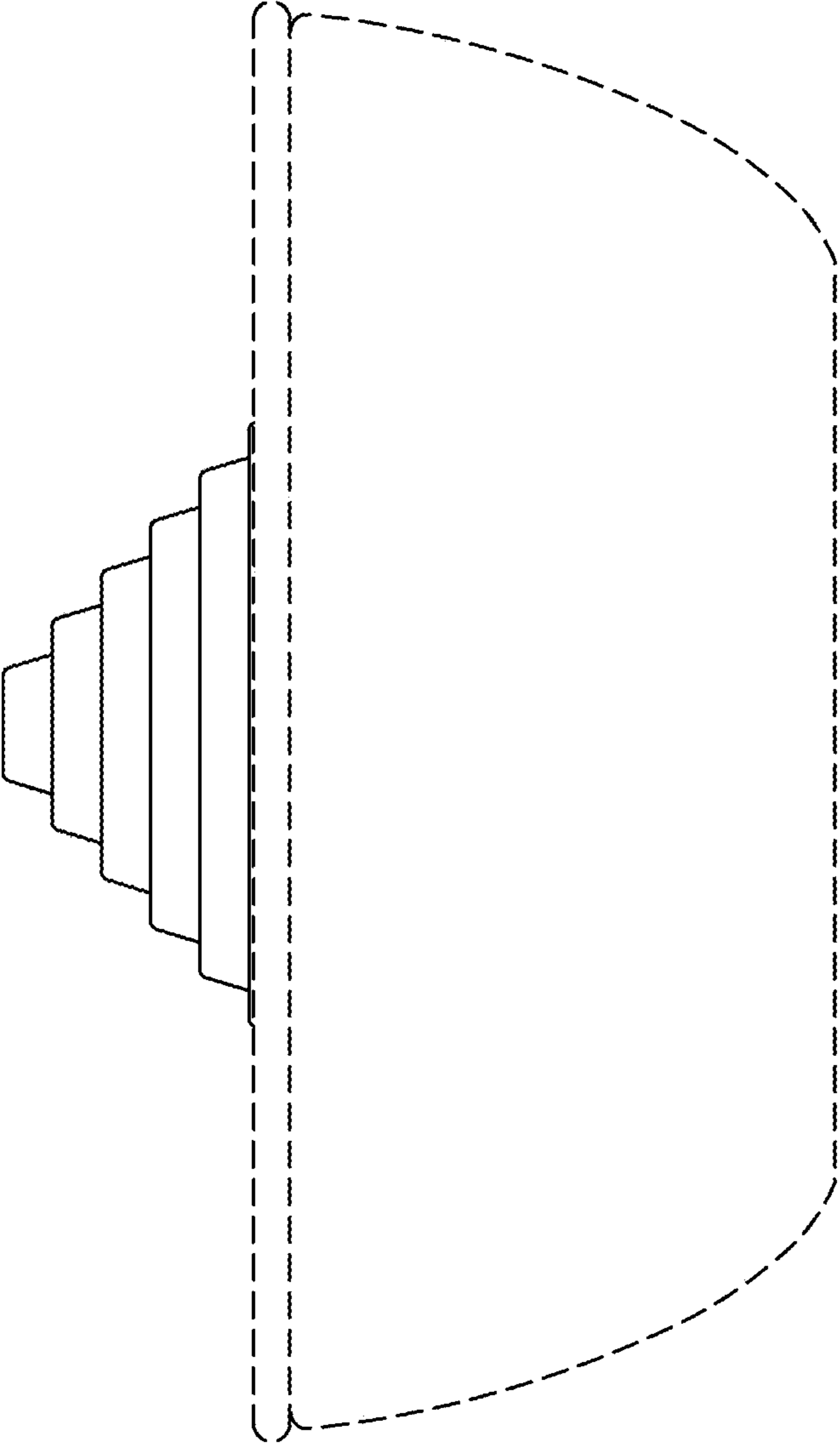


FIG. 3

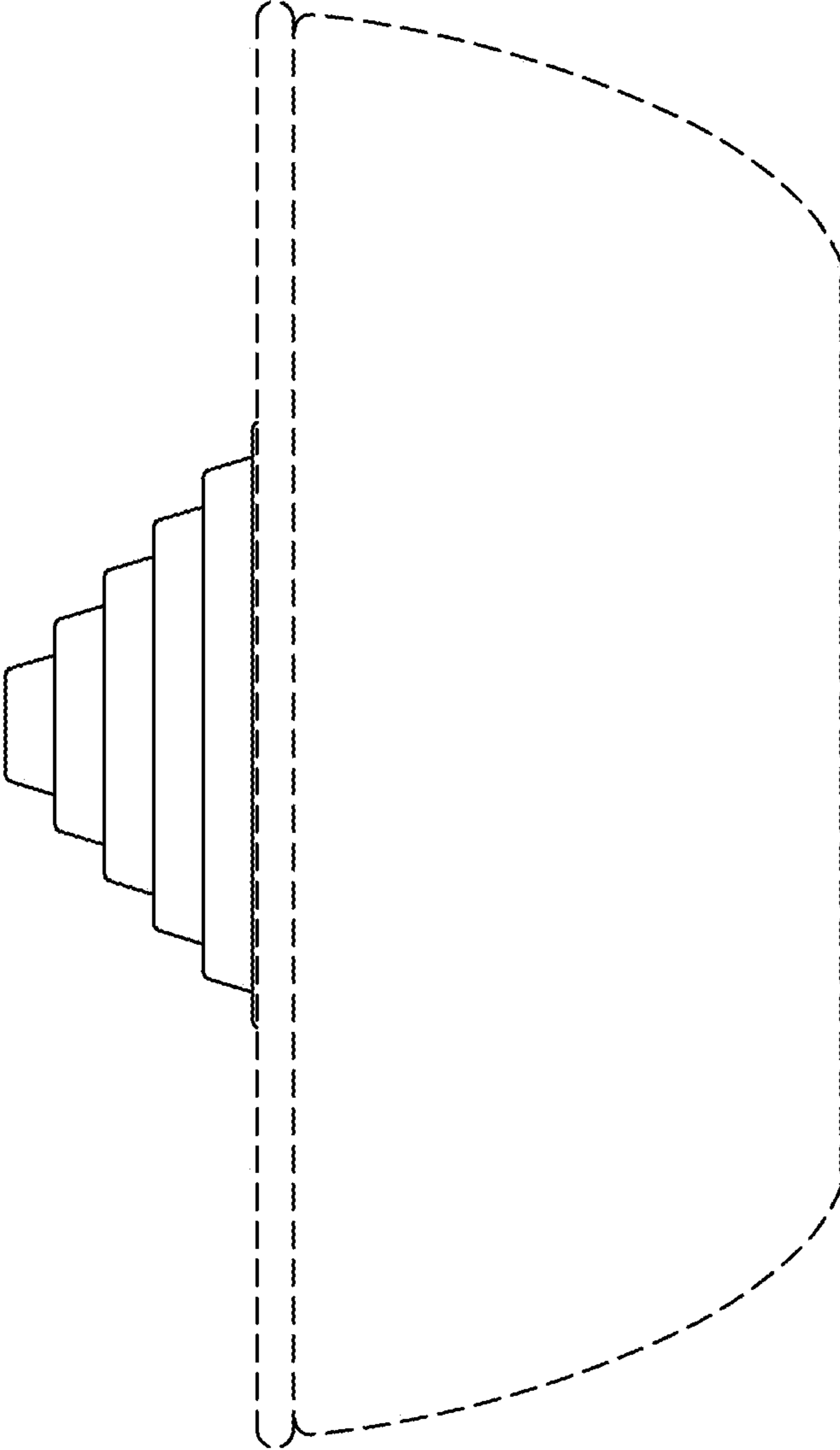


FIG. 4

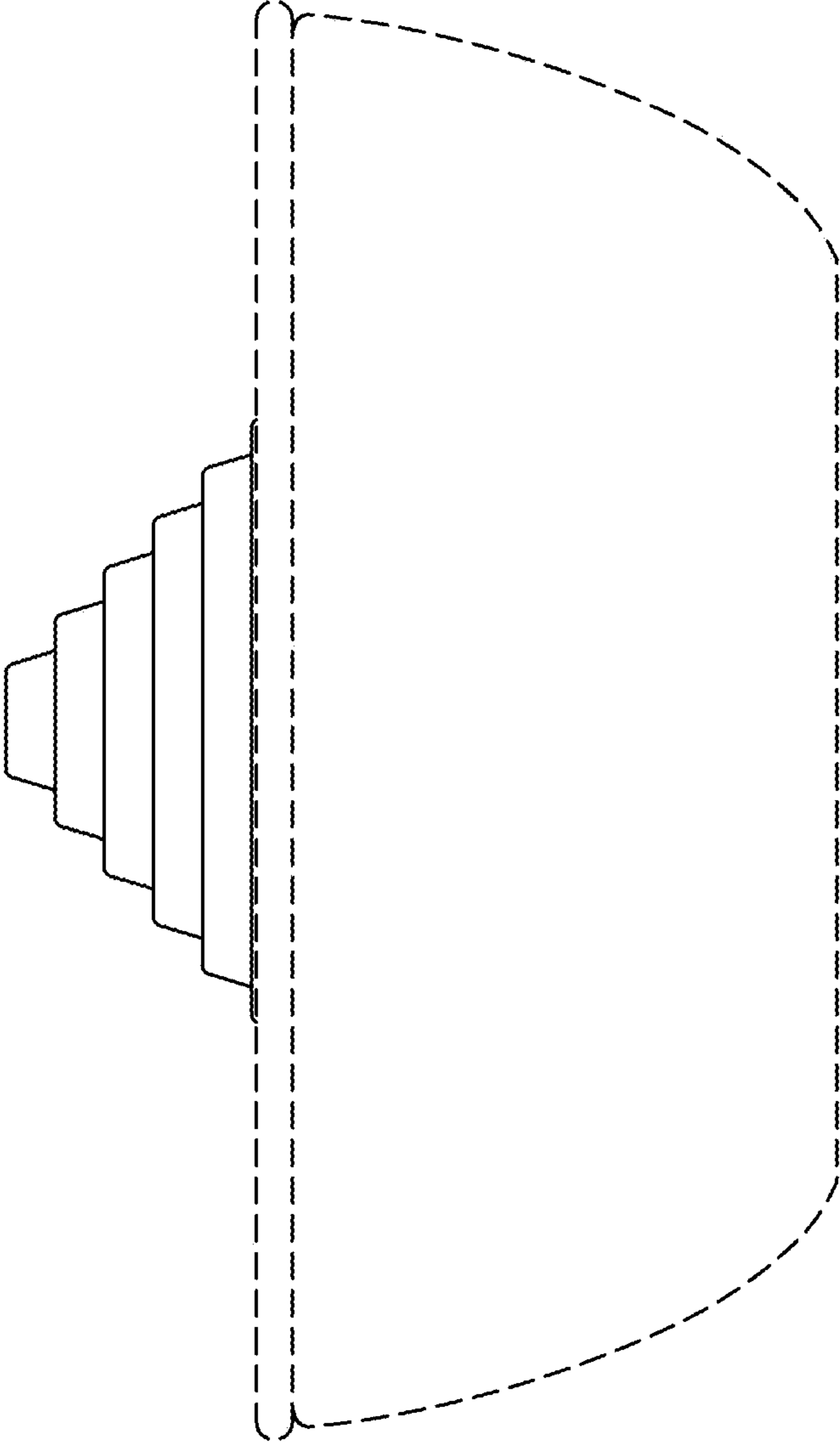
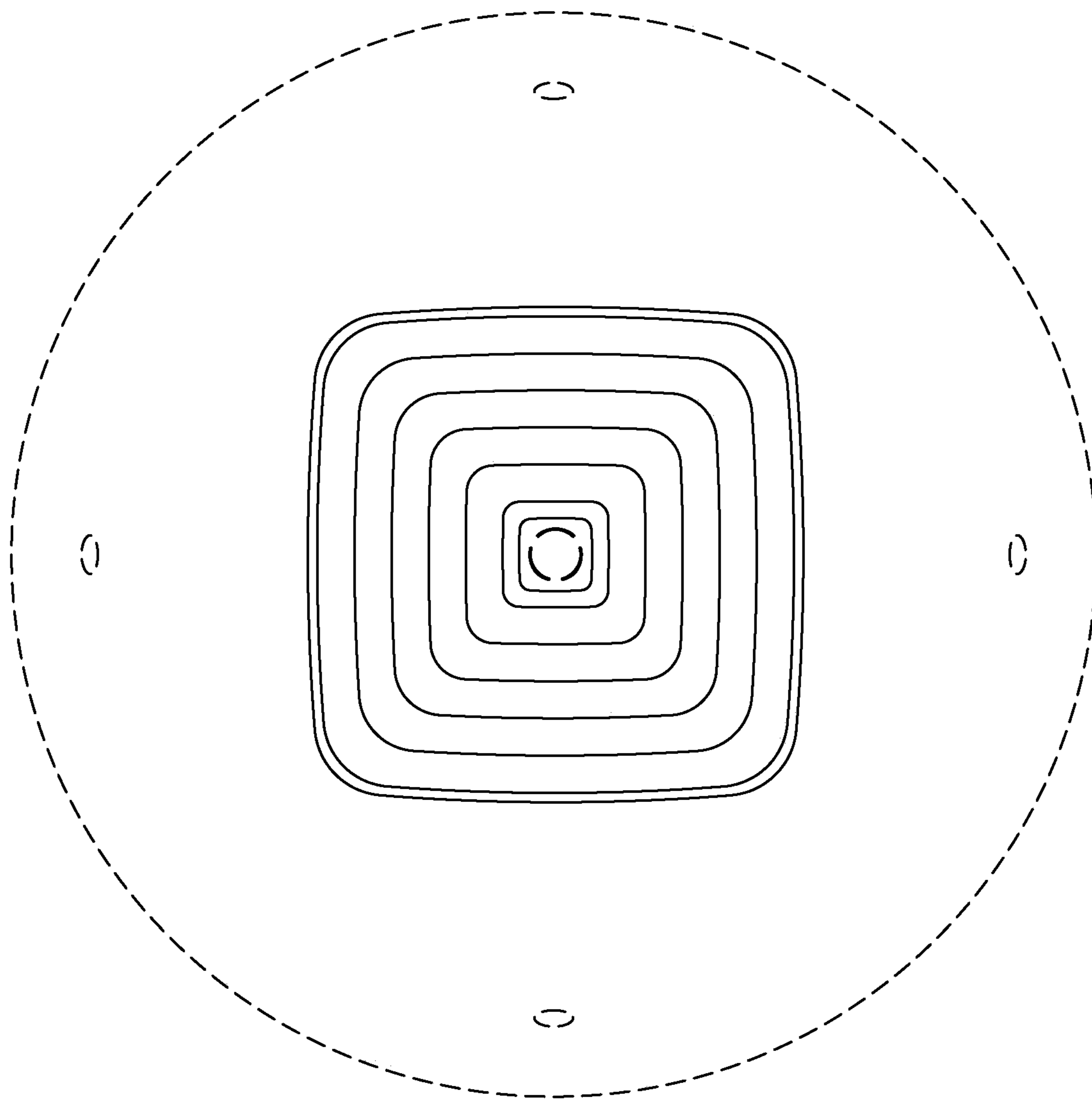


FIG. 5

FIG. 6



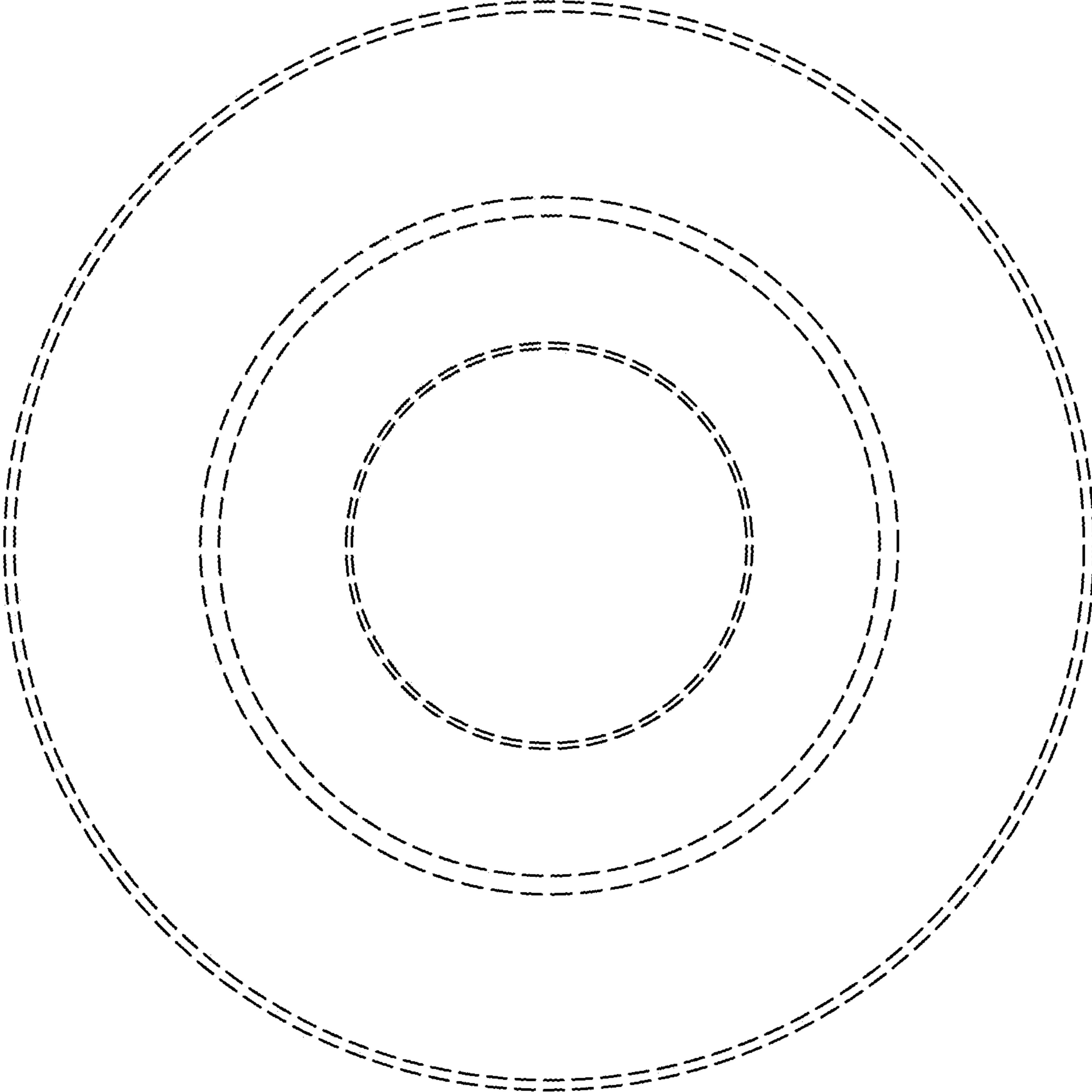


FIG. 7

FIG. 8

