



US00D975932S

(12) **United States Design Patent** (10) **Patent No.:** **US D975,932 S**  
**Levite** (45) **Date of Patent:** **\*\* Jan. 17, 2023**

(54) **SPIRAL SEED FEEDER** D679,453 S \* 4/2013 Krueger ..... A01K 39/012  
D30/127  
(71) Applicant: **Yaron Levite**, Raanana (IL) 8,651,054 B2 \* 2/2014 Colvin ..... A01K 39/012  
119/52.2  
(72) Inventor: **Yaron Levite**, Raanana (IL) 9,210,913 B2 \* 12/2015 Evans ..... A01K 39/012  
9,265,236 B2 \* 2/2016 Vaughn, Jr. .... A01K 39/01  
9,414,574 B2 \* 8/2016 Hoysak ..... A01K 39/0113  
(\*\*) Term: **15 Years** 10,681,901 B2 \* 6/2020 Chi ..... A01K 39/0113  
2005/0145182 A1 \* 7/2005 Marshall ..... A01K 39/012  
119/57.8  
(21) Appl. No.: **29/807,500** 2012/0234249 A1 \* 9/2012 Gaze ..... A01K 39/012  
119/51.01

(22) Filed: **Sep. 13, 2021**  
(51) **LOC (14) Cl.** ..... **30-03**  
(52) **U.S. Cl.**  
USPC ..... **D30/127**  
(58) **Field of Classification Search**  
USPC ..... D30/124, 127, 128; 119/57.8; 220/532  
CPC .. A01K 39/01; A01K 39/0106; A01K 39/012;  
A01K 39/0113  
See application file for complete search history.

(56) **References Cited**  
U.S. PATENT DOCUMENTS  
D262,917 S \* 2/1982 Kilham ..... A01K 39/0113  
D30/127  
D320,875 S \* 10/1991 Kilham ..... A01K 39/01  
D30/127  
5,215,039 A \* 6/1993 Bescherer ..... A01K 39/012  
119/52.2  
D367,134 S \* 2/1996 Bescherer ..... A01K 39/012  
D30/127  
6,213,054 B1 \* 4/2001 Marshall ..... A01K 39/012  
119/57.8  
D477,117 S \* 7/2003 Stokes ..... A01K 39/012  
D30/127  
D490,576 S \* 5/2004 Rich ..... D30/128  
D490,941 S \* 6/2004 Rich ..... A01K 39/0113  
D30/124  
7,261,056 B2 \* 8/2007 Hunter ..... A01K 39/012  
119/52.2  
7,946,248 B2 \* 5/2011 Colwell ..... A01K 39/012  
119/57.8

(Continued)

**OTHER PUBLICATIONS**

Beautiful Copper Spiral Bird Feeder with Double Feeders for Outside, date first available unknown; oldest customer review date Dec. 26, 2021 [online], [retrieved Oct. 14, 2022]. Retrieved from internet <https://www.amazon.com/dp/B09D15Y5HS> (Year: 2021).\*

(Continued)

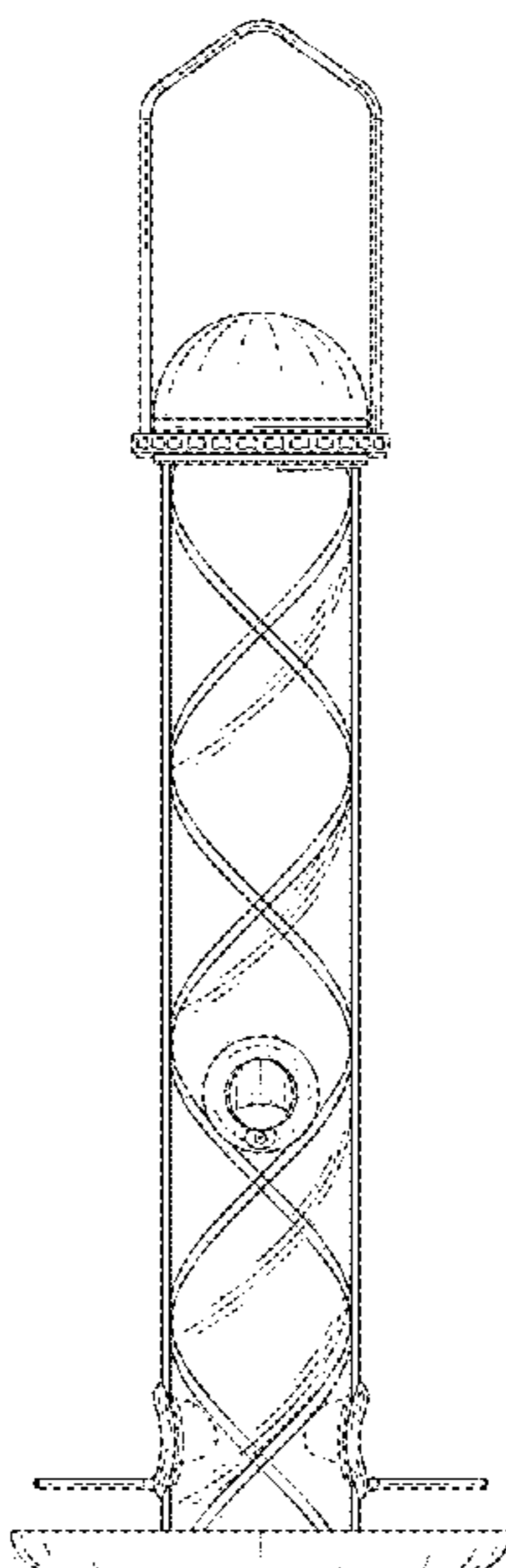
*Primary Examiner* — Sheryl Lane  
*Assistant Examiner* — Emily A Caven  
(74) *Attorney, Agent, or Firm* — PatentFile, LLC; Bradley C. Fach; Steven R. Kick

(57) **CLAIM**  
The ornamental design for a spiral seed feeder, as shown and described.

**DESCRIPTION**

FIG. 1 is a front elevation view of a spiral seed feeder of the present invention, showing the new, original, and ornamental design, the rear side being a mirror image thereof; FIG. 2 is a right side elevation view thereof, the left side being a mirror image; FIG. 3 is a top plan view thereof; and, FIG. 4 is a bottom plan view thereof.

**1 Claim, 3 Drawing Sheets**



(56)

**References Cited**

U.S. PATENT DOCUMENTS

2014/0090600 A1\* 4/2014 Hoysak ..... A01K 39/0113  
119/51.01  
2016/0128307 A1\* 5/2016 Cote ..... A01K 39/012  
119/52.2

OTHER PUBLICATIONS

Spiral Feeder 2-in-1 Tube Feeder, oldest customer review Jan. 15, 2022 [online], [retrieved Oct. 13, 2022]. Retrieved from internet <https://www.nature-anywhere.com/collections/most-popular/products/spiral-feeder-2-in-1-tube-feeder> (Year: 2022).\*

\* cited by examiner

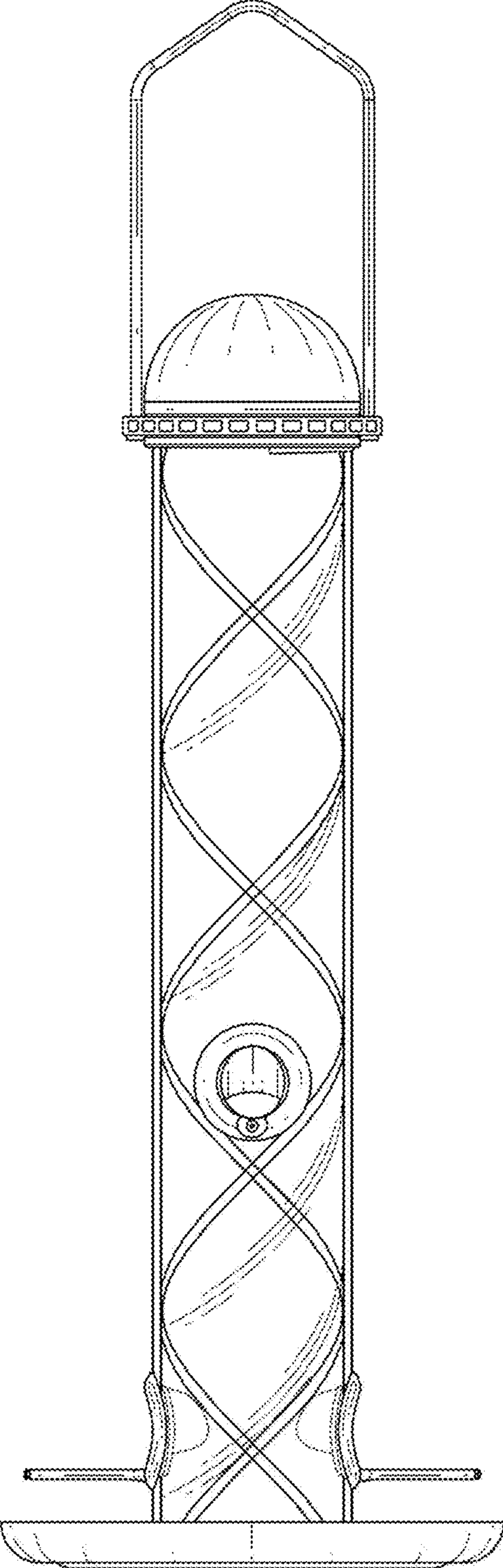


FIG. 1

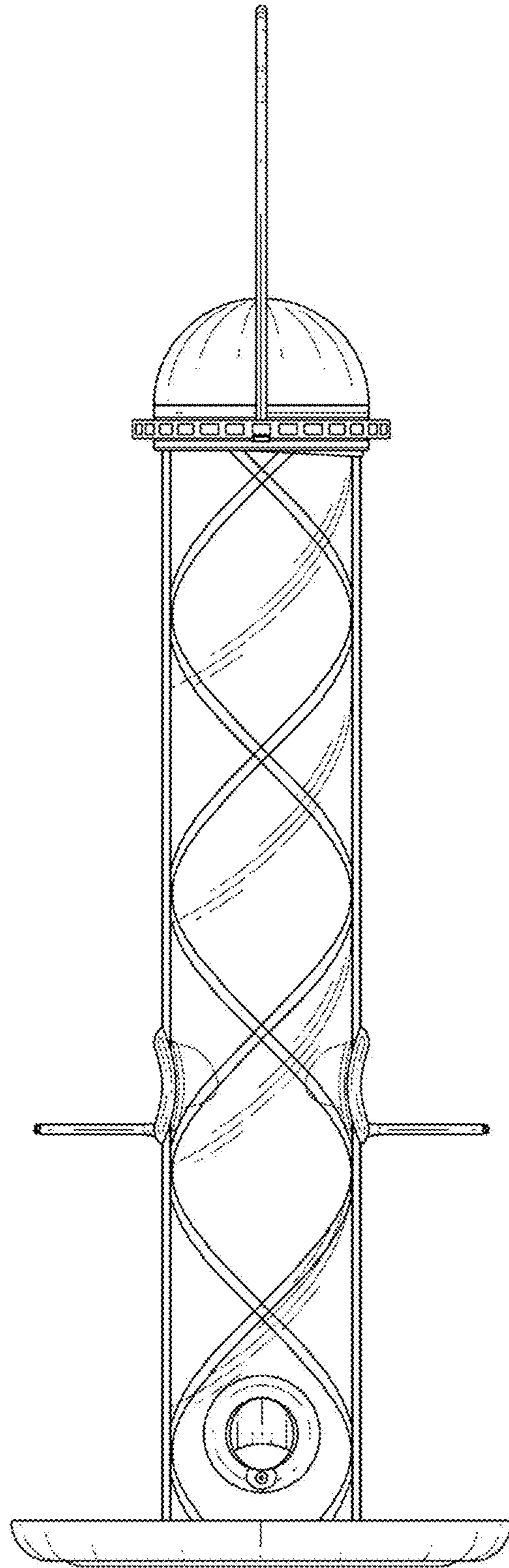


FIG. 2

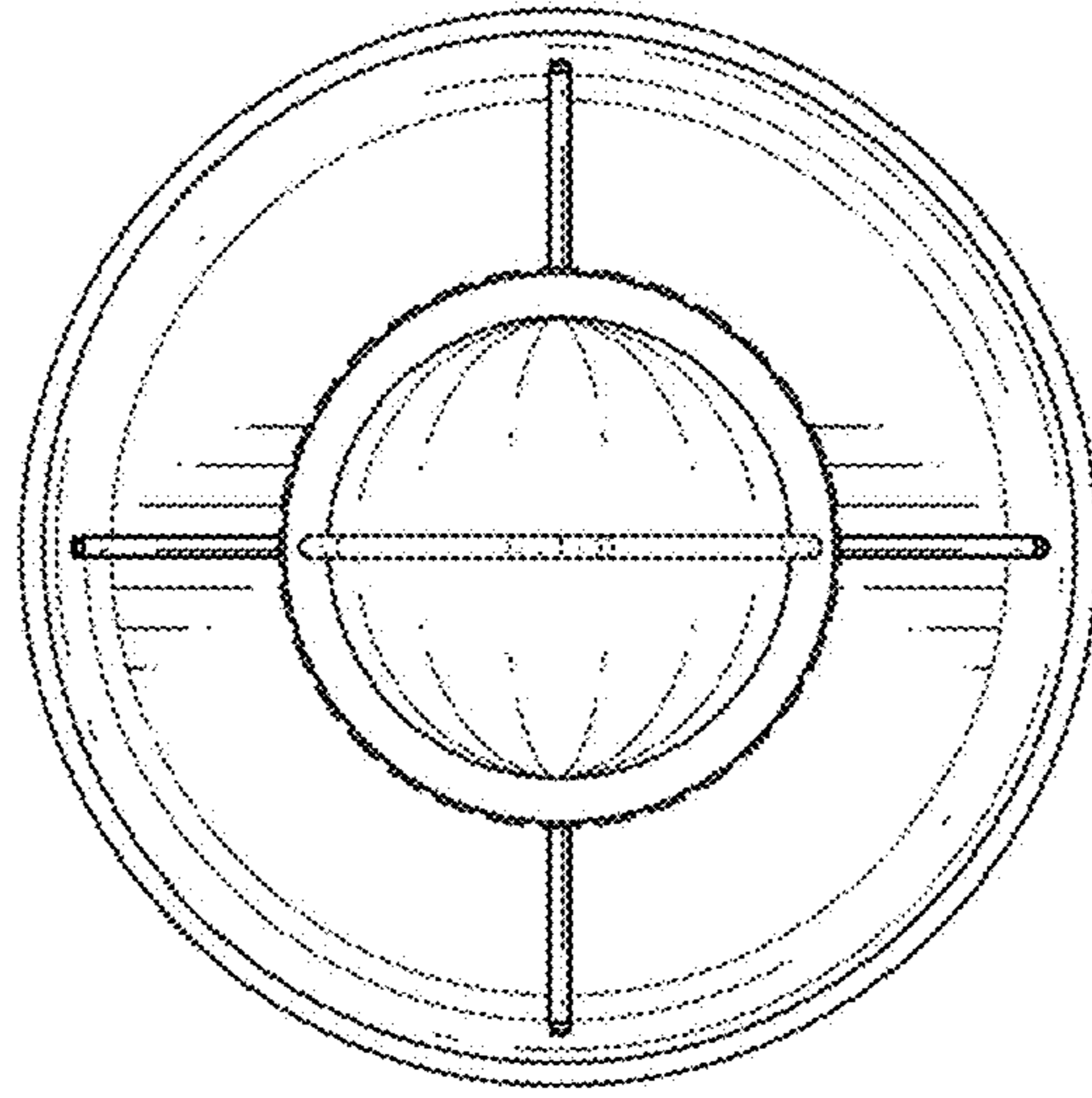


FIG. 3

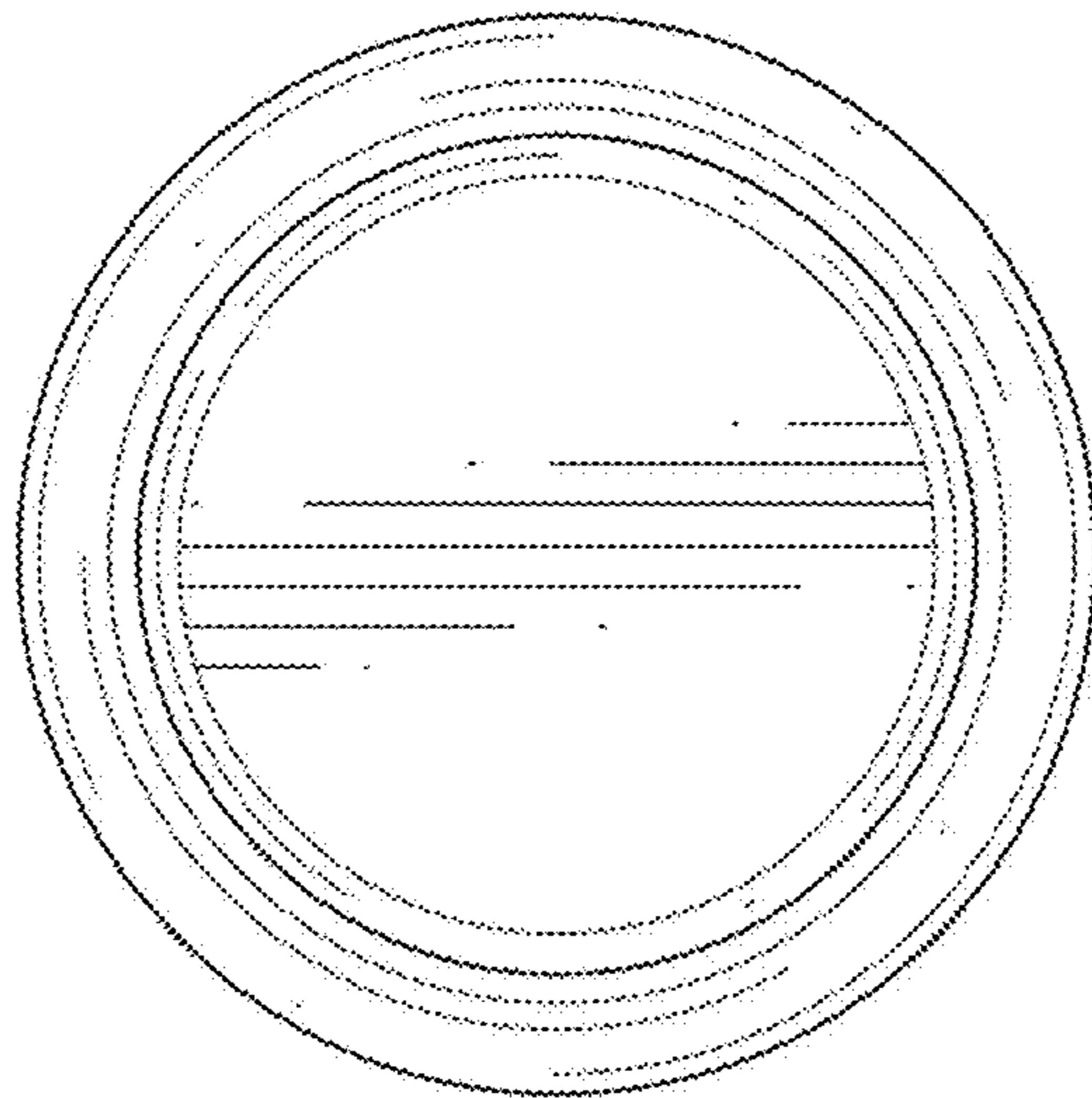


FIG. 4