



US00D975930S

(12) **United States Design Patent**
Lu

(10) **Patent No.:** **US D975,930 S**
(45) **Date of Patent:** **** Jan. 17, 2023**

(54) **BIRD FEEDER**

(71) Applicant: **Shenzhen Luji Technology Co., Ltd.**,
Shenzhen (CN)

(72) Inventor: **Tijun Lu**, Shenzhen (CN)

(**) Term: **15 Years**

(21) Appl. No.: **29/764,626**

(22) Filed: **Dec. 31, 2020**

(51) **LOC (14) Cl.** **30-03**

(52) **U.S. Cl.**
USPC **D30/124**

(58) **Field of Classification Search**
USPC D30/121, 124, 126–129, 133, 199,
D30/110–112, 123, 125; 119/52.2, 51.5,
119/61.5, 57.8, 57.9, 52.3, 61.1, 531, 63,
119/428–435, 52.4, 55, 61.3, 69.5, 75, 76;
47/67, 83; 248/318; D11/164, 152;
211/128.1; D27/123; D6/495, 460, 461,
D6/476, 405
CPC .. A01K 39/014; A01K 39/04; A01K 39/0206;
A01K 39/00; A01K 39/01; A01K
39/0113; A01K 39/012; A01K 39/06;
A01K 5/0225; A01K 5/00; A01K 31/14;
A47H 27/00; A47G 7/044; A47G 7/045;
A47G 7/047; E06B 7/28; G09F 7/18;
G09F 17/00; F16M 13/02; F16M 13/022
See application file for complete search history.

(56) **References Cited**
U.S. PATENT DOCUMENTS

2,156,746 A * 5/1939 Steinmetz A01G 9/16
47/40
2,430,541 A * 11/1947 Thatcher A01K 39/014
D30/124
2,532,726 A * 12/1950 Lajoie A01K 39/012
119/52.2
2,673,551 A * 3/1954 Mcanly A01K 39/012
119/52.1

2,709,838 A * 6/1955 Zausner A01G 9/24
52/274
2,858,801 A * 11/1958 Chance A01K 5/0225
D30/131
D187,135 S * 2/1960 McDonald D30/126
D191,518 S * 10/1961 Olson D30/124
3,002,236 A * 10/1961 Humphner E06B 3/28
264/554
D192,925 S * 5/1962 Kofsky et al. D30/124
3,076,433 A * 2/1963 Kofsky A01K 39/014
119/57.8
3,086,499 A * 4/1963 Dilley A01K 39/0113
119/431
3,114,376 A * 12/1963 Rexroat E04H 15/30
135/901
3,127,697 A * 4/1964 Romenko E06B 7/28
52/201

(Continued)

OTHER PUBLICATIONS

DY-SKTY Acrylic Transparent Wild Bird Feeder, Jun. 2022, https://www.amazon.com/Transparent-Suction-Drainage-Detachable-DY-SKTY/dp/B09ZL4WL7P/ref=sr_1_5 (Year: 2022).*

Primary Examiner — Susan Moon Lee
(74) *Attorney, Agent, or Firm* — Runit R. Kanakia

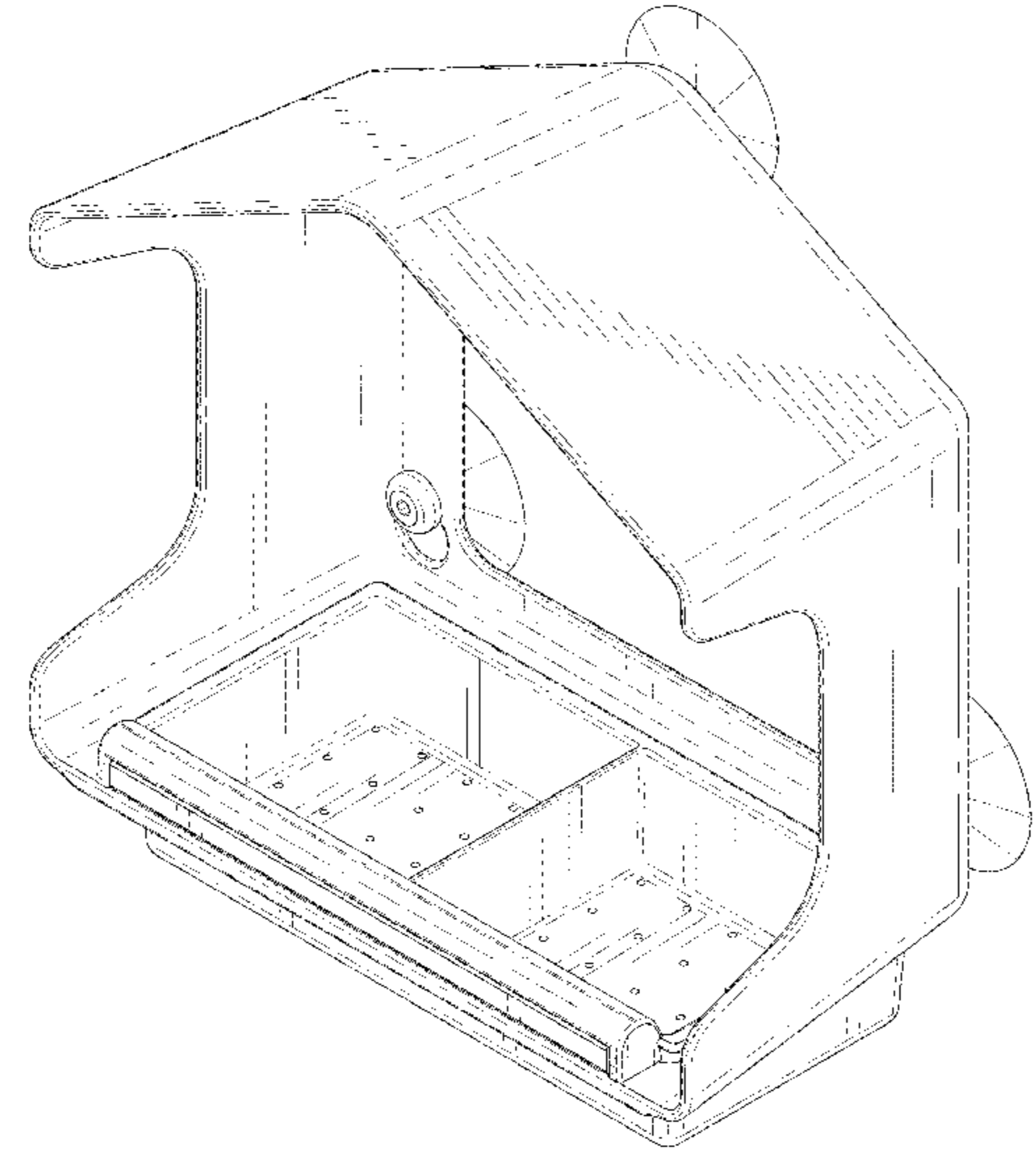
(57) **CLAIM**

The ornamental design for a bird feeder, as shown and described.

DESCRIPTION

FIG. 1 is a front elevational view of a bird feeder showing my new design;
FIG. 2 is a rear elevational view thereof;
FIG. 3 is a left side view thereof;
FIG. 4 is a right side view thereof;
FIG. 5 is a top plan view thereof;
FIG. 6 is a bottom plan view thereof; and,
FIG. 7 is a perspective view thereof.

1 Claim, 7 Drawing Sheets



US D975,930 S

(56)

References Cited

U.S. PATENT DOCUMENTS

3,148,479	A *	9/1964	Amato	A01G 9/14 52/63	5,890,455	A *	4/1999	Donchey	A01K 1/035 119/497
3,155,427	A *	11/1964	Necessary	A47C 1/16 135/900	5,904,330	A *	5/1999	Manico	G03B 29/00 119/51.01
3,291,100	A *	12/1966	Negaard	A01K 39/014 119/57.8	5,924,381	A *	7/1999	Bloedorn	A01K 39/012 119/462
3,593,470	A *	7/1971	Francis	E06B 7/28 52/37	D424,249	S *	5/2000	Banzaca	D30/119
D225,215	S *	11/1972	Francis	D99/43	D425,675	S *	5/2000	Bonder	D30/124
3,946,522	A *	3/1976	Schifman	A01G 9/02 D6/556	6,062,167	A *	5/2000	Soley	A01K 39/00 119/57.8
4,023,306	A *	5/1977	Ruggieri, Jr.	A01G 9/16 52/63	D448,298	S *	9/2001	Simkins	D9/455
D249,087	S *	8/1978	Simmons	D30/126	6,321,686	B2 *	11/2001	Geis	A01K 39/0113 119/429
4,261,294	A *	4/1981	Bescherer	A01K 39/014 D6/571	6,363,886	B1 *	4/2002	Statton	A01K 39/014 119/51.5
D265,939	S *	8/1982	Kilham	D30/124	6,560,937	B1 *	5/2003	Gardner	E06B 3/92 52/201
D268,996	S *	5/1983	Elleby, Jr.	D25/48.8	D487,660	S *	3/2004	Sayers	D6/513
4,425,873	A *	1/1984	Rinne, Jr.	A01K 39/012 119/53	D501,960	S *	2/2005	Oen	D30/112
D274,013	S *	5/1984	Sun	D30/124	7,229,056	B2 *	6/2007	Rosser	A47G 7/044 47/68
D277,704	S *	2/1985	Dehls	D30/124	D561,955	S *	2/2008	Mc Donough	D30/119
4,541,362	A *	9/1985	Dehls	A01K 39/0113 119/63	7,467,599	B2 *	12/2008	Jensen	A01K 5/01 119/51.01
D285,847	S *	9/1986	Read	D30/124	8,025,030	B1 *	9/2011	Litwin	A01K 39/012 119/52.2
4,753,195	A *	6/1988	Maggio	A01K 39/01 119/52.2	D658,338	S *	4/2012	Law	D30/124
4,865,066	A *	9/1989	Brooks	G09F 15/00 52/285.3	8,833,305	B2 *	9/2014	Macpherson	A01K 5/0142 119/61.5
4,881,491	A *	11/1989	Brown	A01K 39/00 119/51.01	9,137,974	B2 *	9/2015	Boehm	A01K 31/007
4,892,060	A *	1/1990	Lundquist	A01K 39/012 119/52.2	9,295,222	B2 *	3/2016	Martinez	E06B 7/28
5,016,571	A *	5/1991	Totaro	A01K 31/14 119/428	D762,016	S *	7/2016	Yates	D30/121
D329,723	S *	9/1992	Carpenter	D30/126	D780,581	S *	3/2017	Tulencik	D9/455
5,170,747	A *	12/1992	Strangio	A01K 45/00 119/428	D780,582	S *	3/2017	Tulencik	D9/455
D334,636	S *	4/1993	Honeycutt	D30/118	D791,414	S *	7/2017	Wilgus	D30/127
D342,589	S *	12/1993	Bransky	D30/124	9,702,502	B2 *	7/2017	Hudepohl	F16M 13/022
D342,590	S *	12/1993	Bransky	D30/124	D831,899	S *	10/2018	Ellis	D30/126
D350,627	S *	9/1994	Moniak	D30/124	10,194,642	B2 *	2/2019	Ellis	A01K 39/0206
D351,690	S *	10/1994	Honeycutt	D30/124	D863,693	S *	10/2019	Ellis	D30/124
5,400,557	A *	3/1995	Glover	E06B 1/363 52/201	D899,702	S *	10/2020	Thorn	D30/124
D359,146	S *	6/1995	Finch	D30/124	D907,864	S *	1/2021	Schwartz	D30/131
D392,777	S *	3/1998	Scribner	D30/131	D927,091	S *	8/2021	Aviv	D30/124
D396,331	S *	7/1998	Niemetz	D30/124	D935,704	S *	11/2021	Zhang	D30/124
5,842,438	A *	12/1998	Messmer	A01K 1/035 119/484	D954,355	S *	6/2022	Mihlbauer	D30/108
D405,634	S *	2/1999	Smith	D6/574	D957,745	S *	7/2022	Mihlbauer	D30/108
D407,863	S *	4/1999	Leal	D30/124	11,375,841	B2 *	7/2022	Ellis	A47H 27/00
					2006/0137618	A1 *	6/2006	Poirier	A01K 31/06 119/57.8
					2014/0182518	A1 *	7/2014	Boehm	A01K 31/007 119/429
					2015/0342153	A1 *	12/2015	Hudepohl	F16M 13/022 119/61.3
					2018/0035650	A1 *	2/2018	Ellis	A01K 39/04
					2019/0059626	A1 *	2/2019	Ellis	A01K 1/035

* cited by examiner

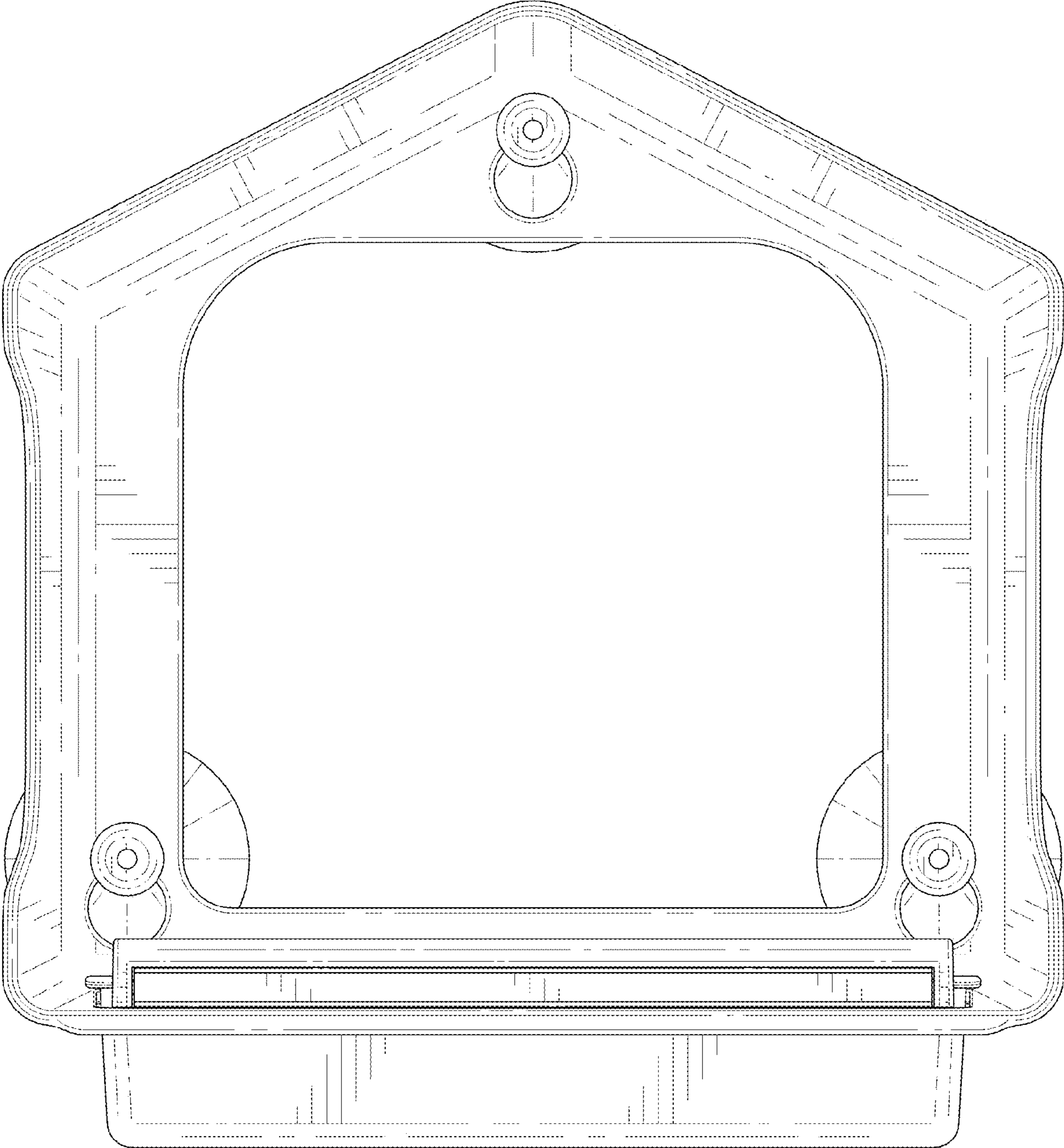


Fig. 1

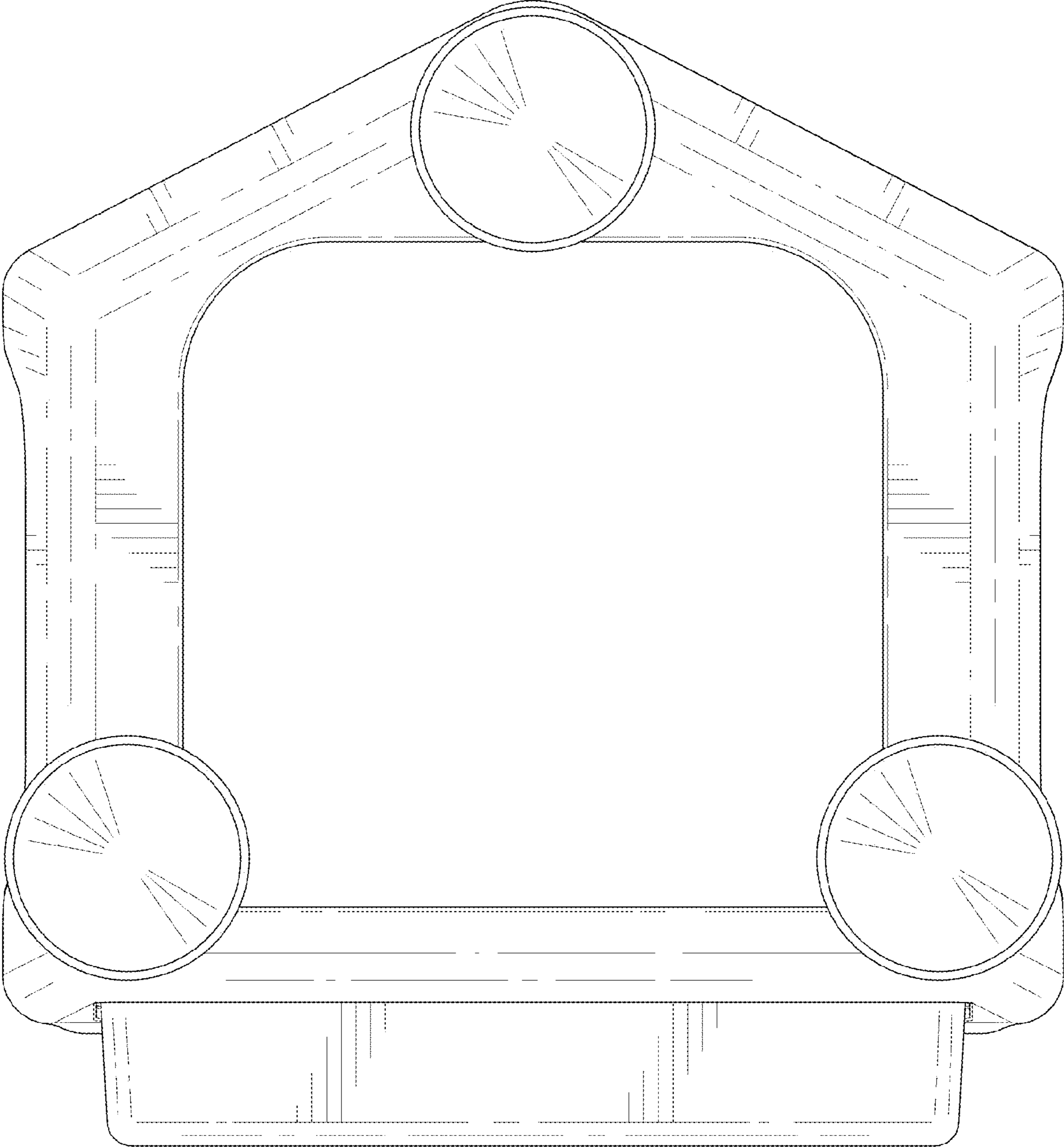


Fig.2

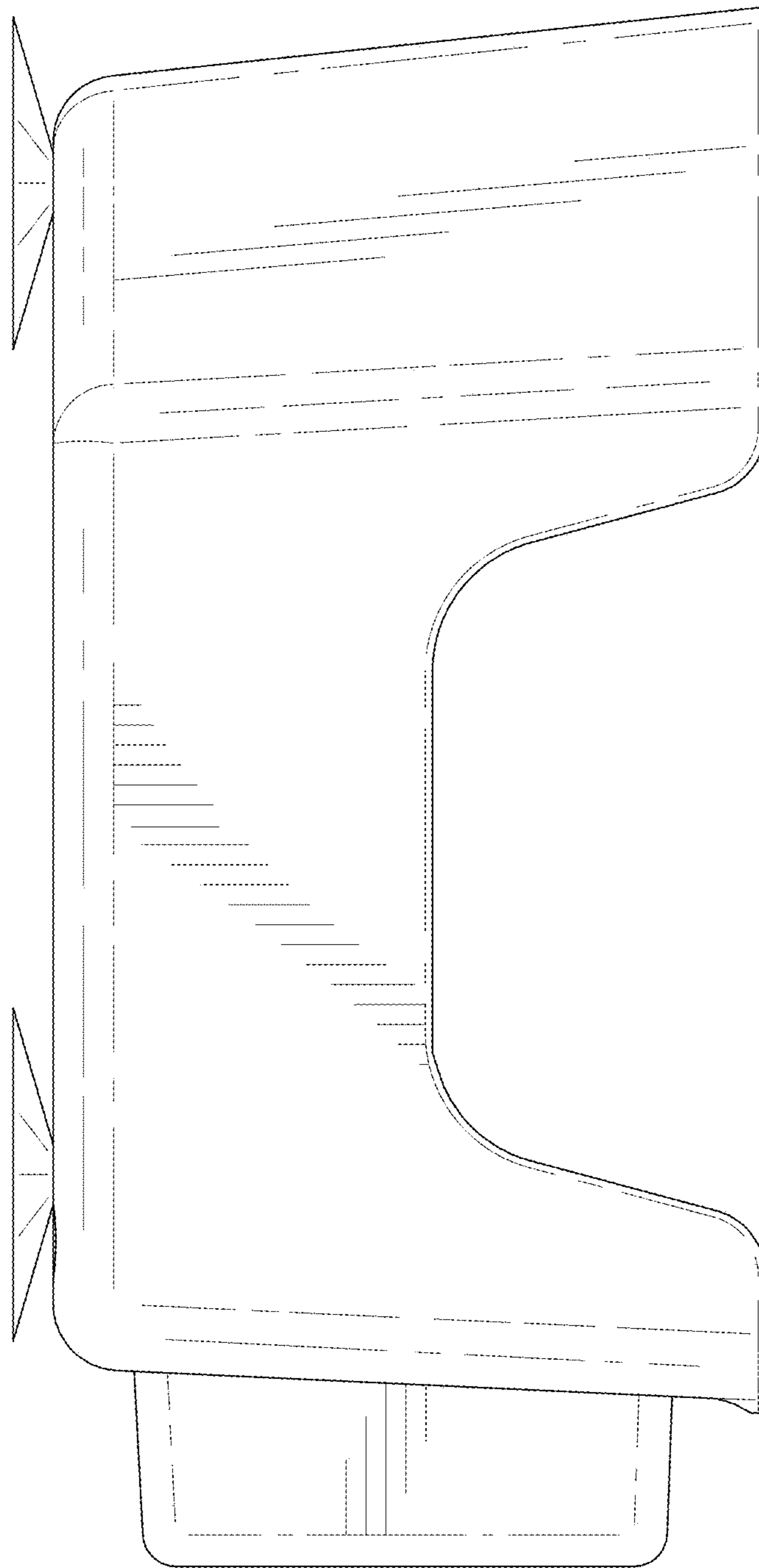


Fig.3

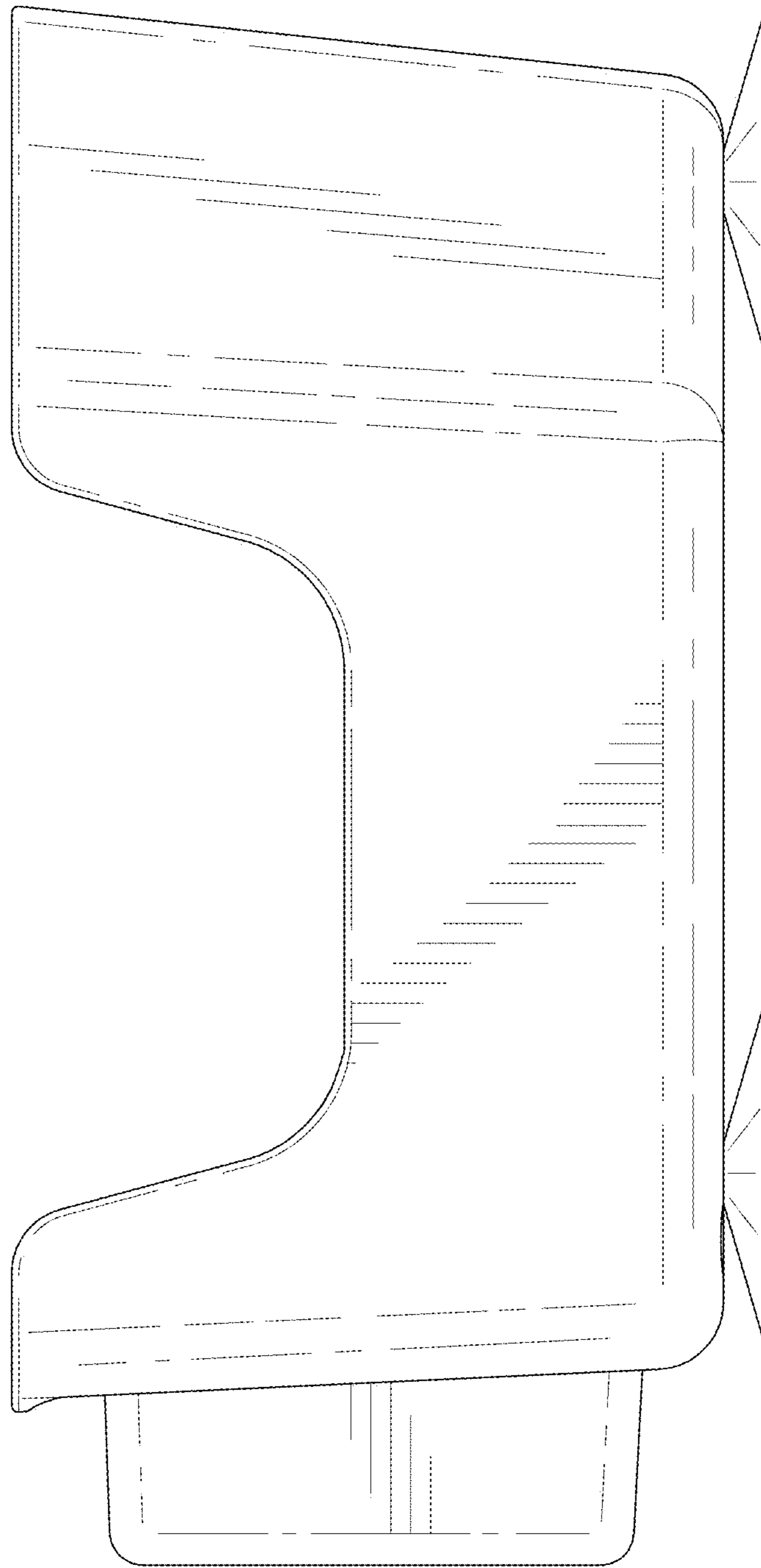


Fig.4

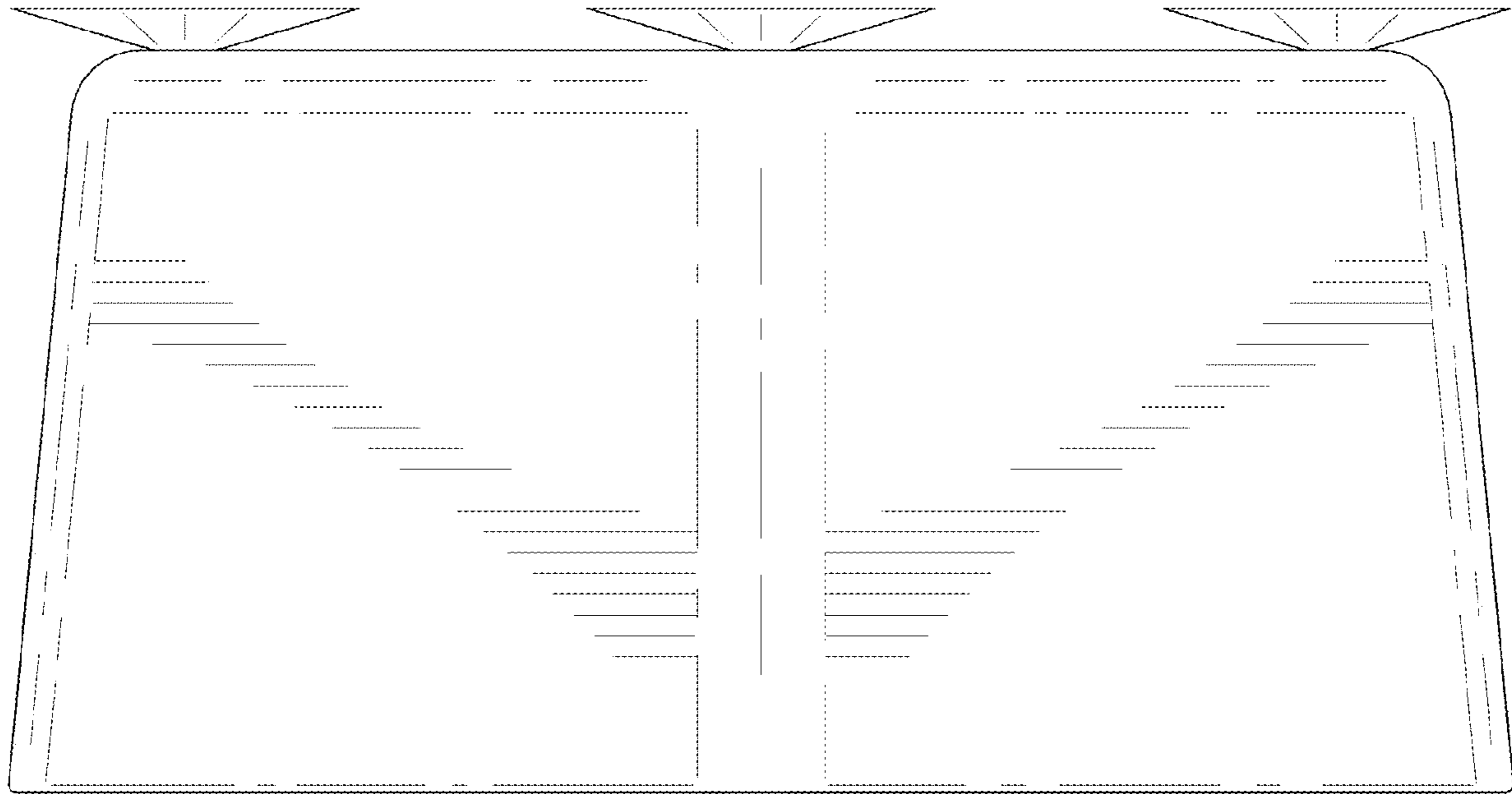


Fig.5

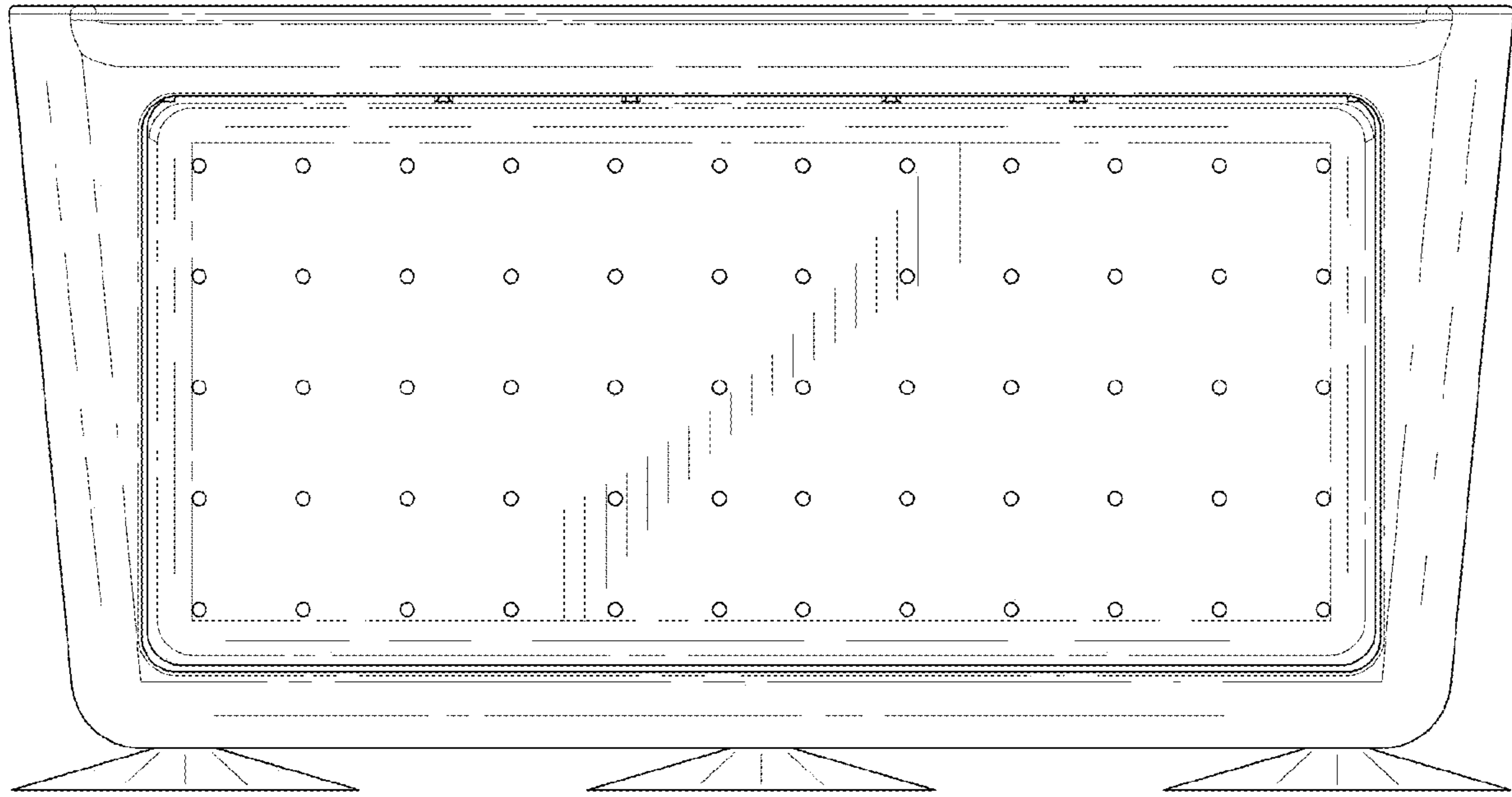


Fig.6

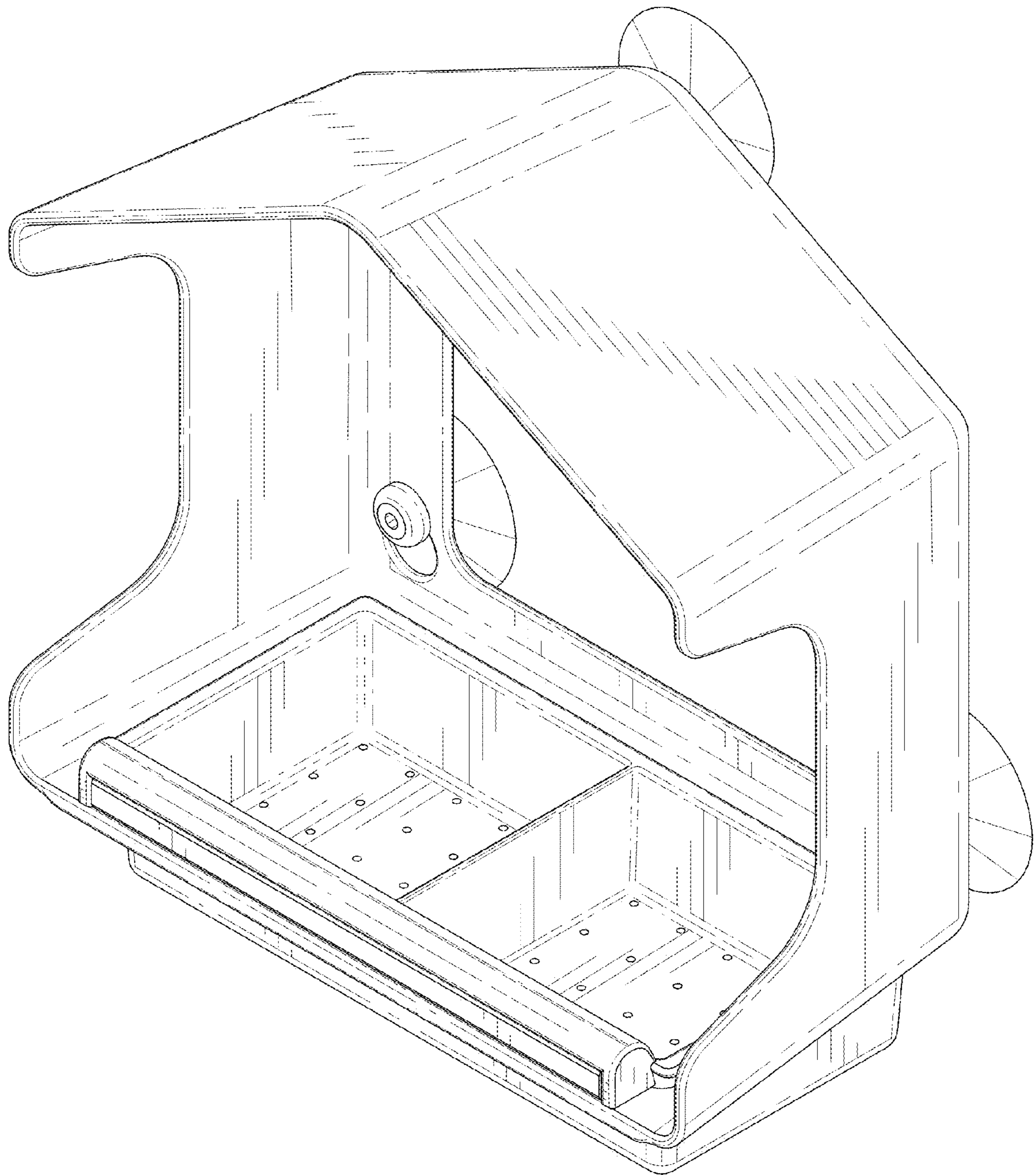


Fig.7