



US00D975927S

(12) **United States Design Patent**
Zhou

(10) **Patent No.:** **US D975,927 S**
(45) **Date of Patent:** **** Jan. 17, 2023**

(54) **BACK SCRATCHER**

(71) Applicant: **Axiao Zhou**, Yueqing (CN)

(72) Inventor: **Axiao Zhou**, Yueqing (CN)

(**) Term: **15 Years**

(21) Appl. No.: **29/811,097**

(22) Filed: **Oct. 12, 2021**

(51) **LOC (14) Cl.** **28-99**

(52) **U.S. Cl.**
USPC **D28/91.2**

(58) **Field of Classification Search**
USPC D28/91.2; D30/158-159; D4/132, 134;
D24/214-215

CPC A61H 7/00; A61H 7/002; A61H 7/003;
A61H 2205/081; A61H 2201/169-1692
See application file for complete search history.

(56) **References Cited**

U.S. PATENT DOCUMENTS

6,830,552	B1 *	12/2004	Gonzalez	A61H 7/003
					D28/91.2
D672,925	S *	12/2012	Hungerford	D30/158
D683,854	S *	6/2013	Lowe	D24/142
D688,009	S *	8/2013	Mahoney, Jr.	D8/13
D710,112	S *	8/2014	Dunn	D4/125
D817,572	S *	5/2018	Hall	D32/46
D890,435	S	7/2020	Livingston		
D902,504	S *	11/2020	Katopis	D30/158
D908,287	S *	1/2021	Zheng	D28/91.2
D917,798	S *	4/2021	Xue	D30/158
D925,128	S *	7/2021	Yang	D28/91.2
D927,383	S *	8/2021	Windle	D34/31
D942,694	S *	2/2022	Yang	D28/91.2

D943,219	S *	2/2022	Guo	D28/91.2
2017/0042755	A1 *	2/2017	Kelnhofer	A61H 7/003
2019/0373855	A1 *	12/2019	Tayhan	A01K 13/00

OTHER PUBLICATIONS

Nurender Cat Paw Back Scratcher, first available on Apr. 8, 2022 on amazon.com, retrieved from: https://www.amazon.com/Nurender-Scratcher-Extendable-Telescopic-scratchers/dp/B09XHVBWYQ/ref=sr_1_2_sspa?keywords=cat+paw+back+scratcher&qid=1665085913&qu=eyJxc2MiOilzLjAzliwicXNhljoiMi43NCIsInFzcCI6IjluMzAifQ%3D%3D&sref.*

* cited by examiner

Primary Examiner — Alison M Ofstun

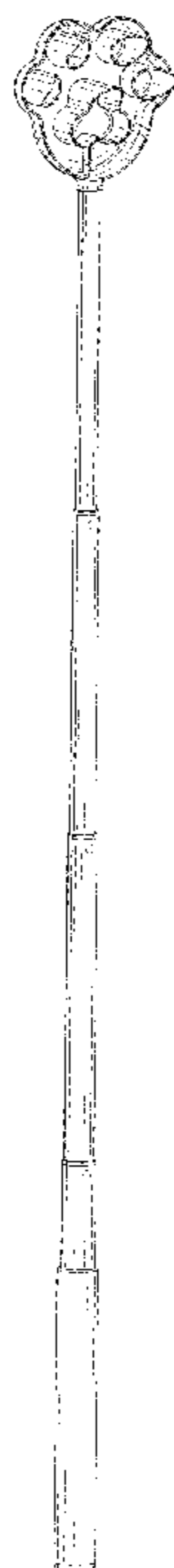
(57) **CLAIM**

The ornamental design for a back scratcher, as shown and described.

DESCRIPTION

FIG. 1 is a perspective view of a back scratcher showing my new design;
FIG. 2 is another perspective view thereof;
FIG. 3 is a front elevational view thereof;
FIG. 4 is a rear elevational view thereof;
FIG. 5 is a left side elevational view thereof;
FIG. 6 is a right side elevational view thereof;
FIG. 7 is a top plan view thereof;
FIG. 8 is a bottom plan view thereof; and,
FIG. 9 is a perspective view thereof, shown in a retracted position of use.
The broken lines in the drawings depict portions of the back scratcher that form no part of the claimed design.

1 Claim, 9 Drawing Sheets



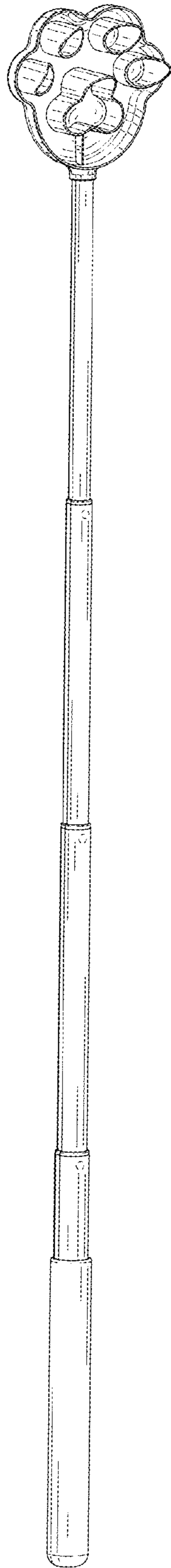


FIG. 1

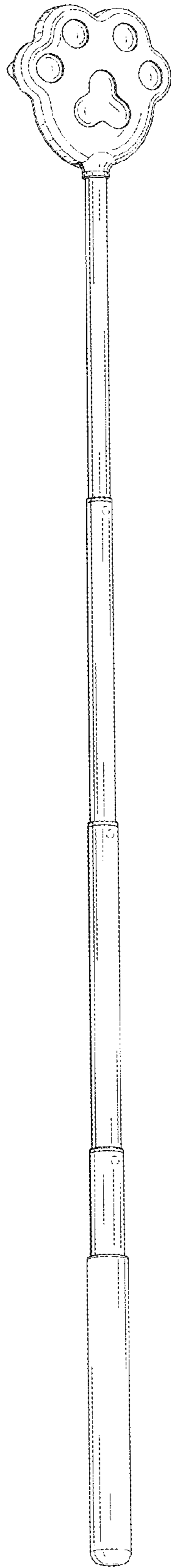


FIG. 2

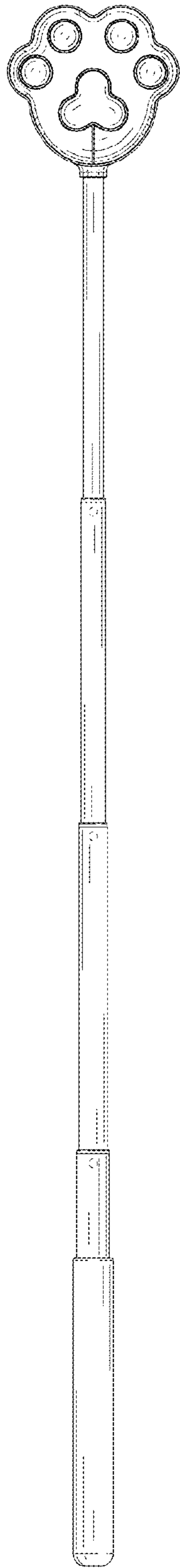


FIG. 3

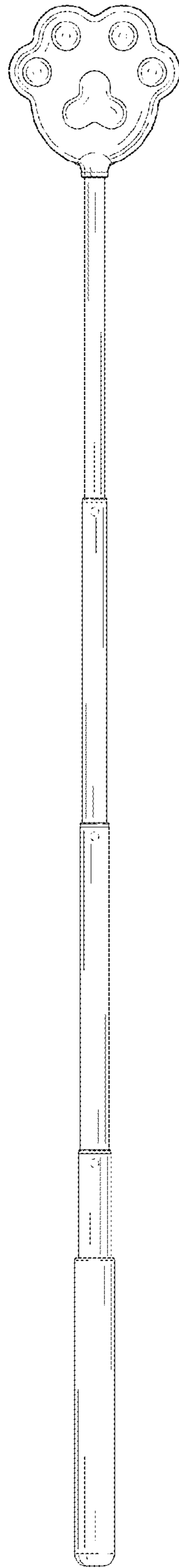


FIG. 4

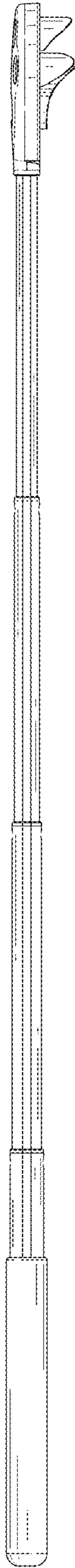


FIG. 5



FIG. 6

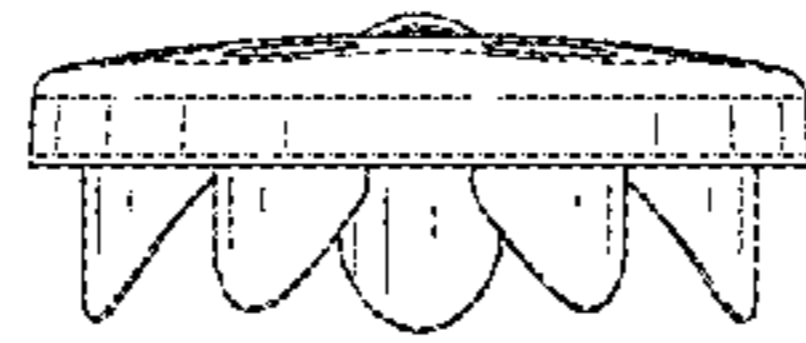


FIG. 7

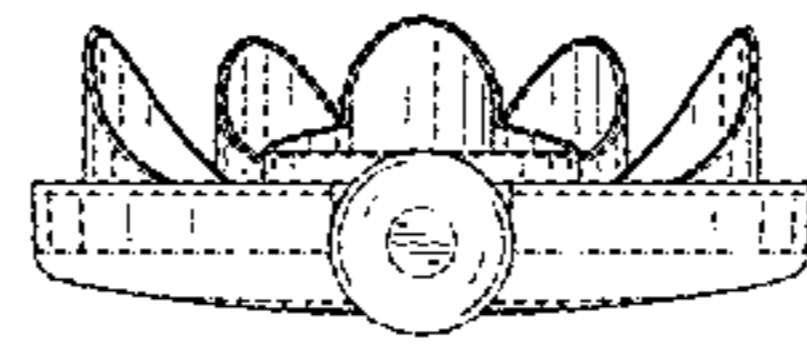


FIG. 8

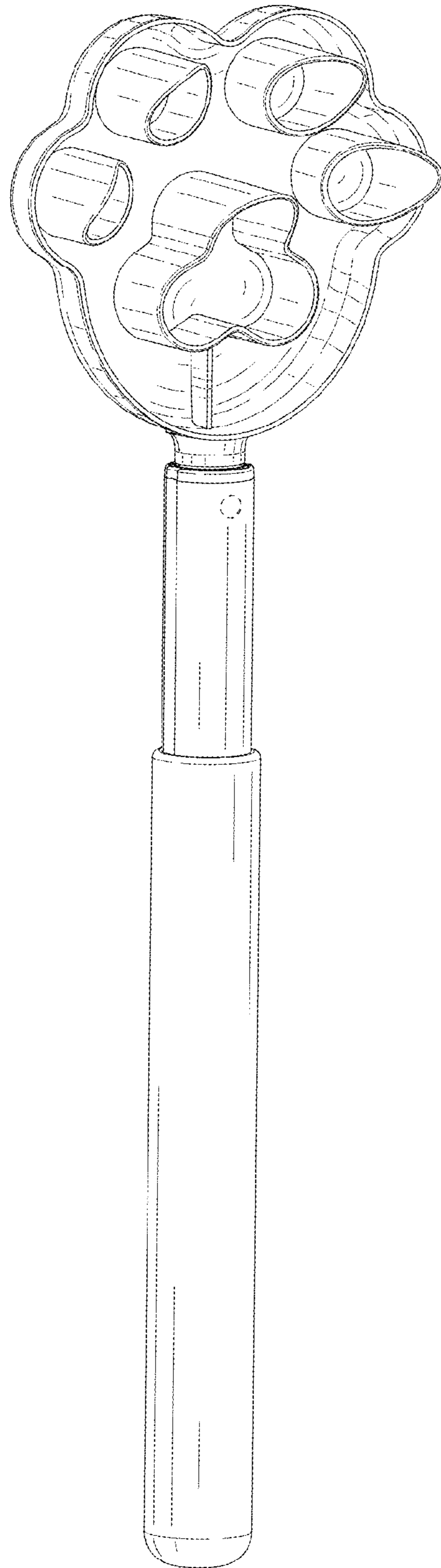


FIG. 9