



US00D975925S

(12) **United States Design Patent** (10) **Patent No.:** **US D975,925 S**
Kim (45) **Date of Patent:** **** Jan. 17, 2023**

(54) **HAIR DRIER HOLDER**

(71) Applicant: **Young-se Kim**, Seongnam-si (KR)

(72) Inventor: **Young-se Kim**, Seongnam-si (KR)

(**) Term: **15 Years**

(21) Appl. No.: **35/511,548**

(22) Filed: **Sep. 18, 2020**

(80) **Hague Agreement Data**

Int. Filing Date: **Sep. 18, 2020**

Int. Reg. No.: **DM/211725**

Int. Reg. Date: **Sep. 18, 2020**

Int. Reg. Pub. Date: **Mar. 19, 2021**

(30) **Foreign Application Priority Data**

Jun. 16, 2020 (KR) 30-2020-0027138

(51) **LOC (14) Cl.** **28-03**

(52) **U.S. Cl.**
USPC **D28/73**
CPC **A24F 9/16** (2013.01)

(58) **Field of Classification Search**

USPC D3/203.1, 203.2, 205, 206, 215, 219,
D3/226, 247, 250-252, 263-266, 273,
D3/293, 294, 298, 299, 301, 303, 315,
D3/901; D28/73, 76, 85, 86, 91, 103,
D28/108

CPC .. A24F 9/16; A24F 13/14; A24F 15/00; A24F
15/12; A24F 15/14; A24F 15/18; A24F
15/20; A24F 23/00; A24F 23/04; A24F
47/002; A24F 47/008; A45C 3/00; A45C
5/00; A45C 5/005; A45C 5/04; A45C
7/00; A45C 9/00; A45C 11/00; A45C
11/008; A45C 11/04; A45C 11/16; A45C
11/24; A45C 11/26; A45C 11/34; A45C
11/36; A45C 13/002; A45C 2011/007;
A45D 33/12; A45D 33/14; A45D 33/22;
A45D 33/24; A45D 33/26; A45D 33/28;
A45D 34/00; A45D 34/04; A45D 34/041;

A45D 34/06; A45D 40/00; A45D 40/18;
A45D 40/26; A45D 40/261; A45D
40/262; A45D 44/11; A45D 44/18; A47F
7/02; A47F 7/021; A61J 1/00; A61J 1/03;
A61J 7/04; A61J 7/0084; B65D 1/36;
B65D 43/16; B65D 50/04; B65D 83/04;
B65D 83/0445; B65D 83/0481; B65D
85/00; B65D 85/02; B65D 85/10

See application file for complete search history.

(56) **References Cited**

U.S. PATENT DOCUMENTS

D216,852	S	*	3/1970	Farwick	D28/9
D302,738	S	*	8/1989	Doyle	D28/38
D374,312	S	*	10/1996	Edgar	D6/567
5,743,415	A	*	4/1998	Smart	A45D 20/12 248/314
D467,390	S	*	12/2002	Lewis	D28/38
D497,688	S	*	10/2004	Issa	D6/558
D671,269	S	*	11/2012	Lang	D28/73
D819,268	S	*	5/2018	Goodman	D28/38
D838,411	S	*	1/2019	Floyd	D28/7
D845,550	S	*	4/2019	Yang	D28/73
D850,727	S	*	6/2019	Petruccelli	D28/38
D881,467	S	*	4/2020	Gonzalez	D28/38

(Continued)

Primary Examiner — Richard E Chilcot

(74) *Attorney, Agent, or Firm* — The PL Law Group, PLLC

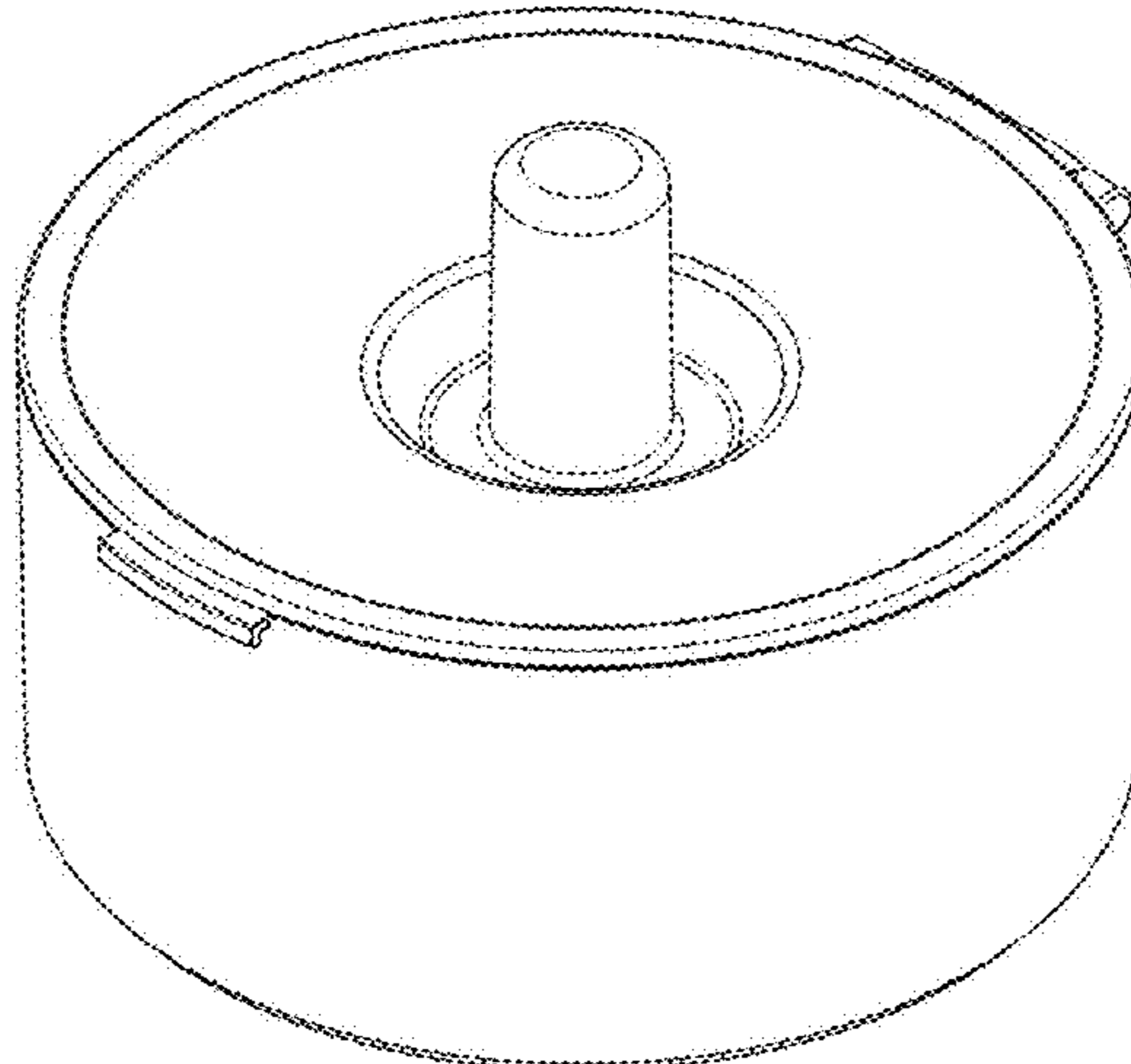
(57) **CLAIM**

The ornamental design for a hair drier holder, as shown and described.

DESCRIPTION

- 1. Hair drier holder
- 1.1 : Perspective
- 1.2 : Front
- 1.3 : Back
- 1.4 : Left
- 1.5 : Right

(Continued)



1.6 : Top
1.7 : Bottom

1 Claim, 7 Drawing Sheets

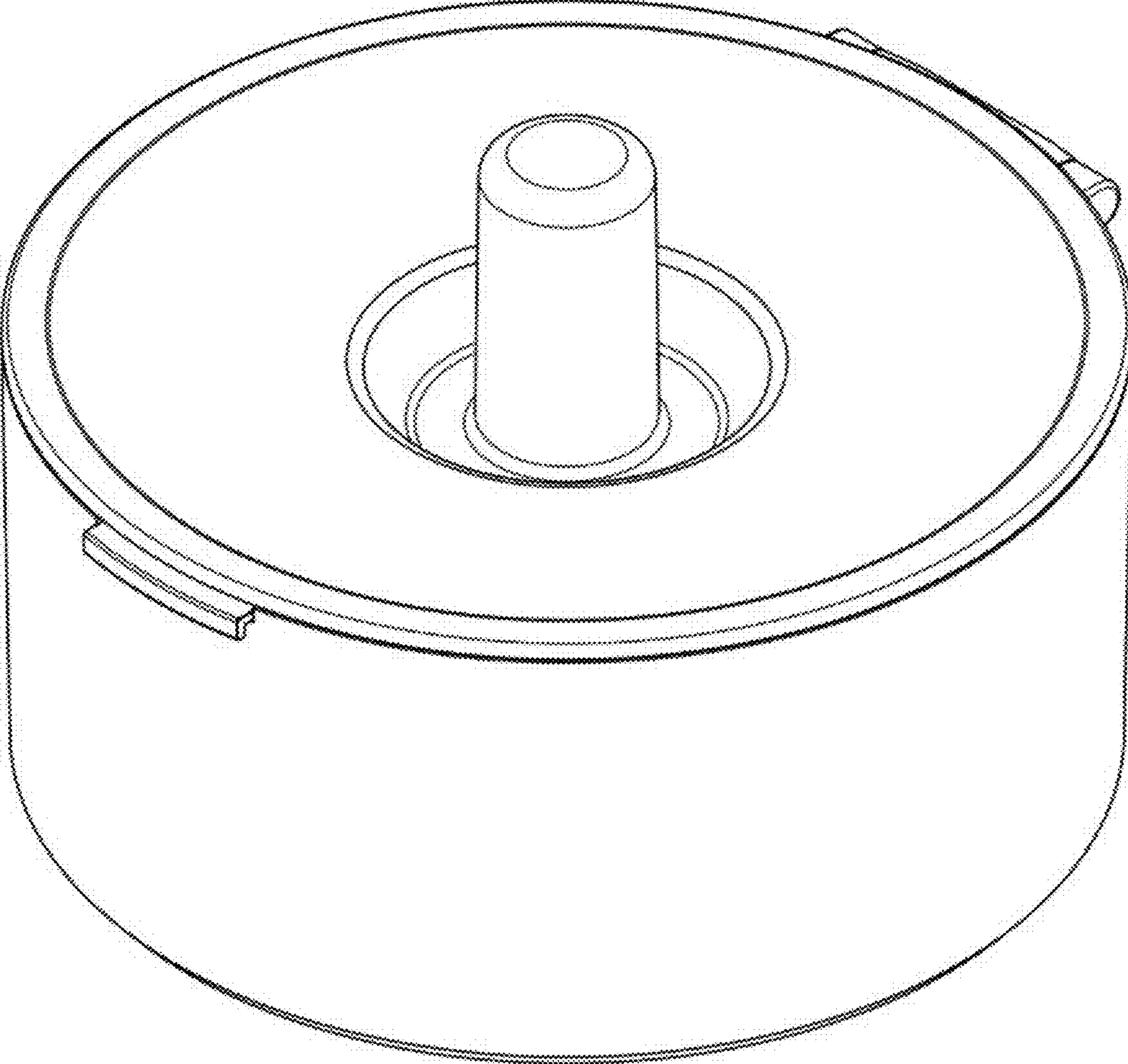
(56) **References Cited**

U.S. PATENT DOCUMENTS

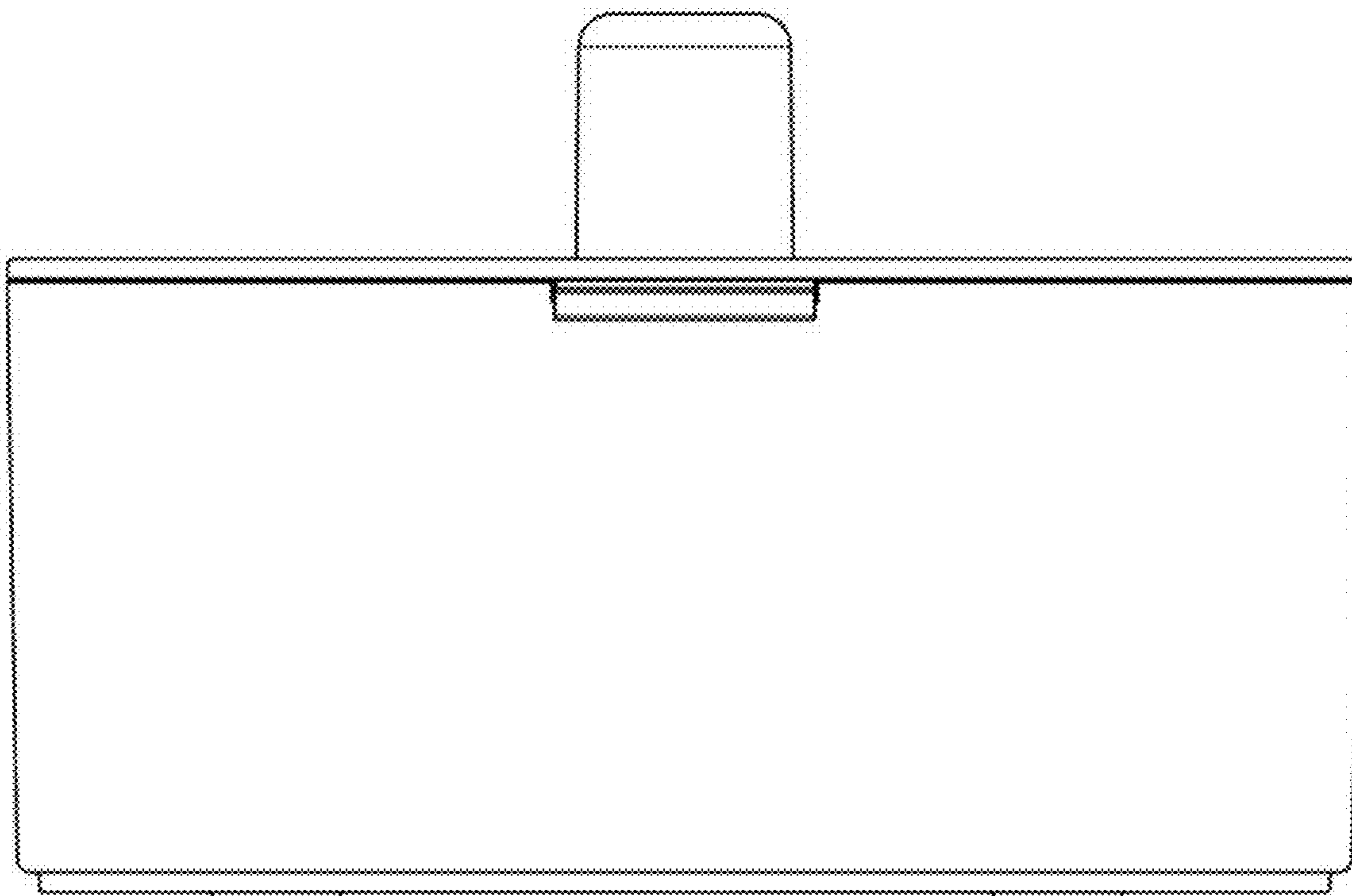
D927,067 S *	8/2021	Rienzo	D28/73
D939,204 S *	12/2021	Shin	D3/205
D940,399 S *	1/2022	Rienzo	D28/73
D941,647 S *	1/2022	Winter	D7/701

* cited by examiner

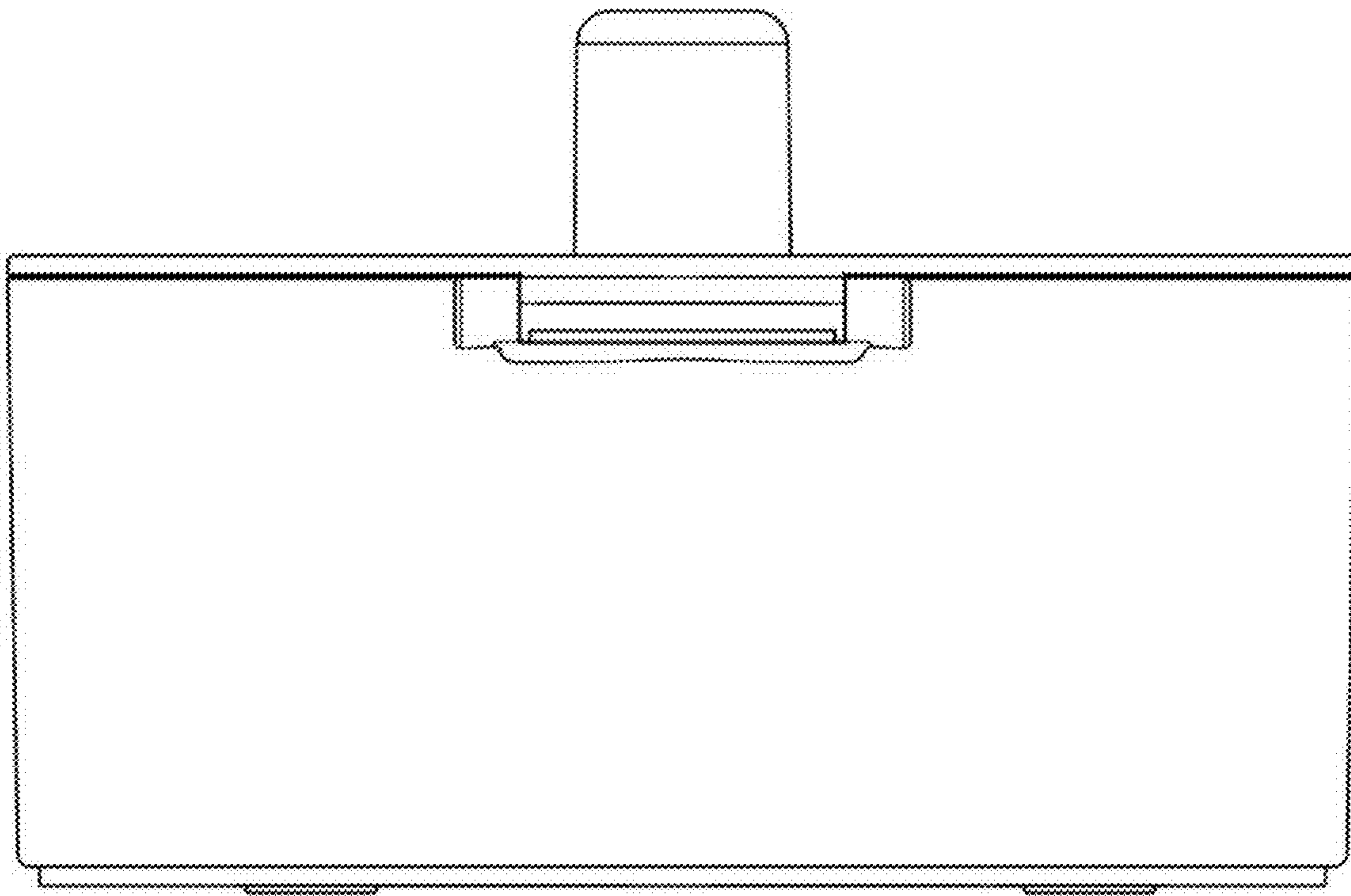
1.1



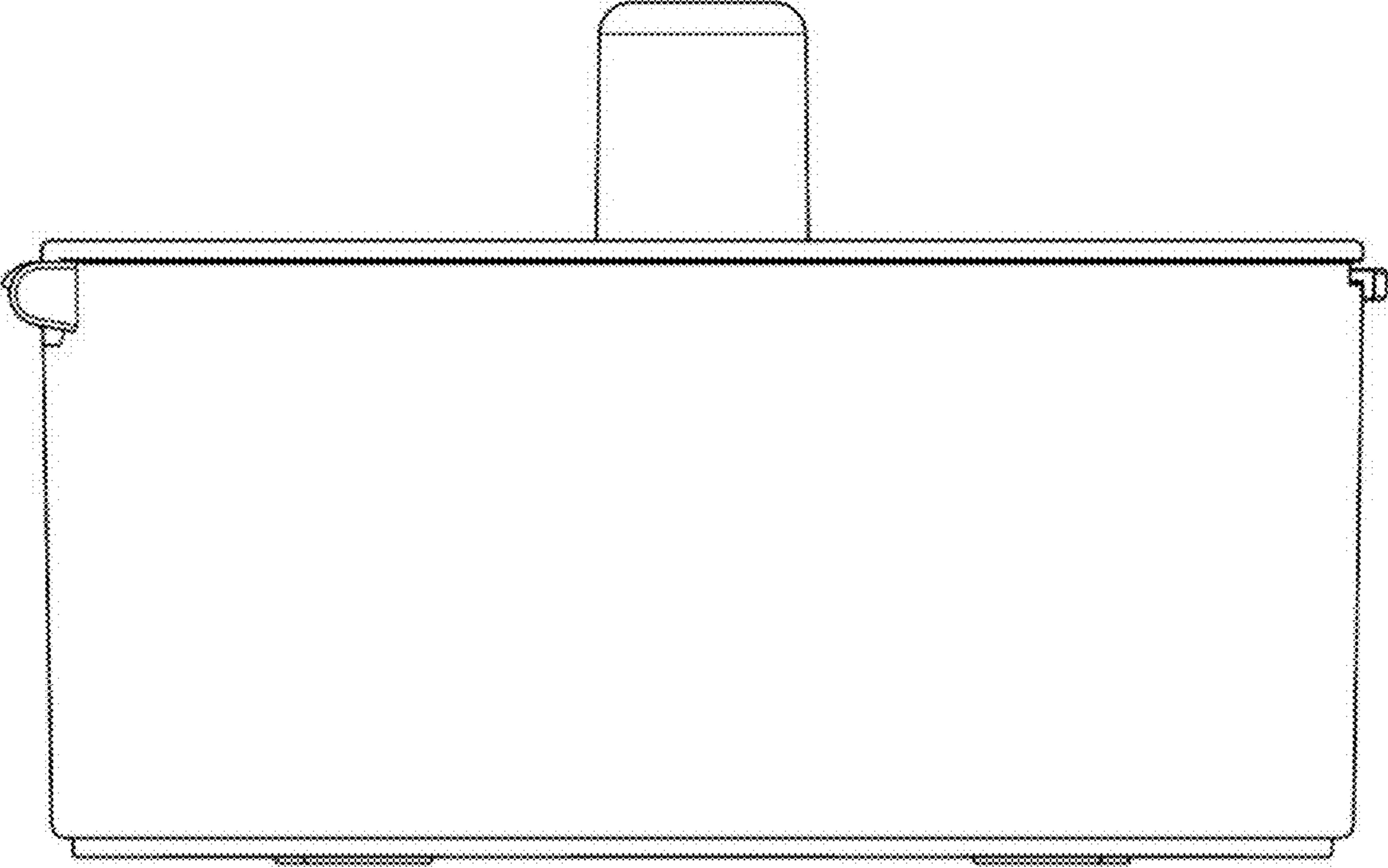
1.2



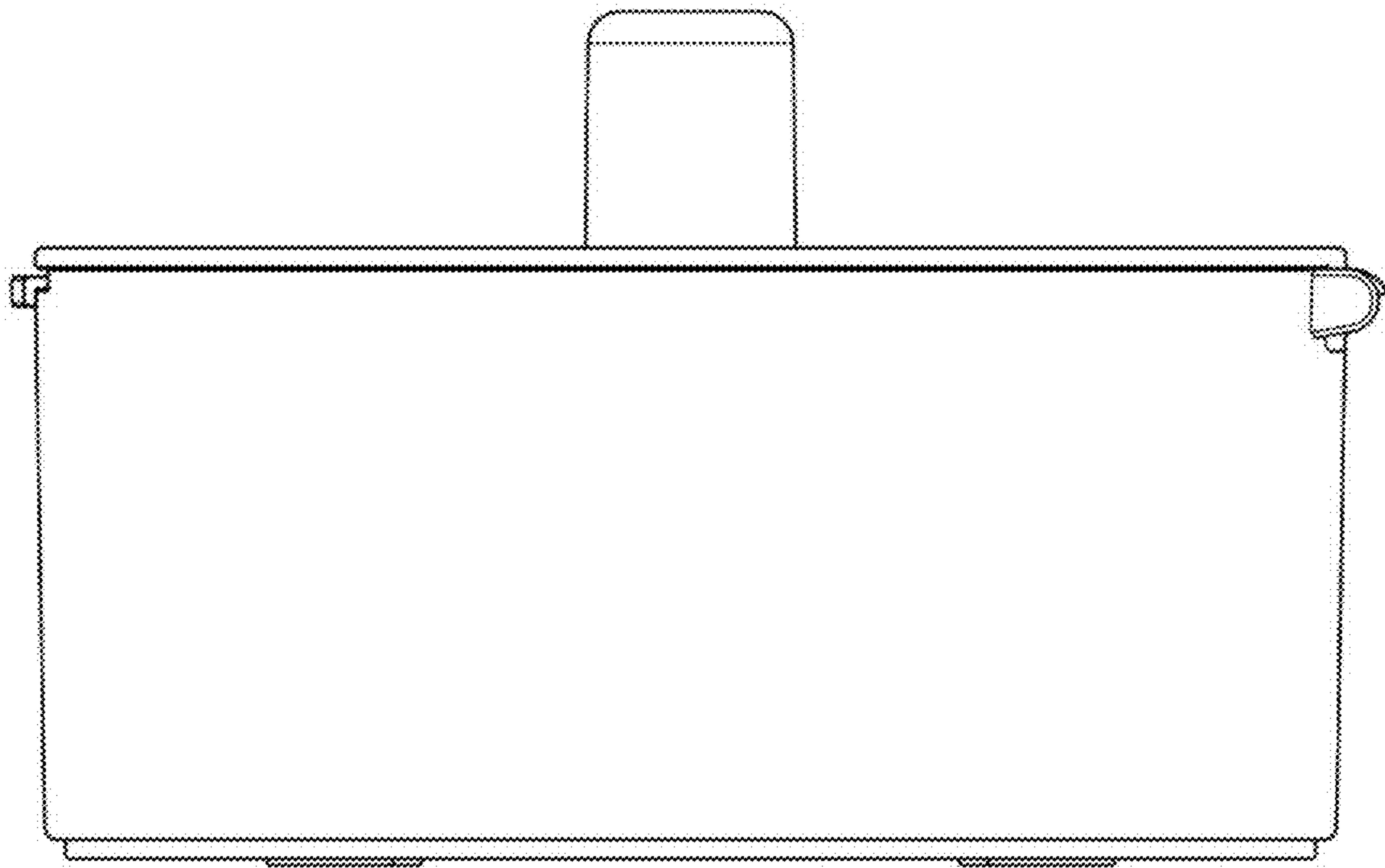
1.3



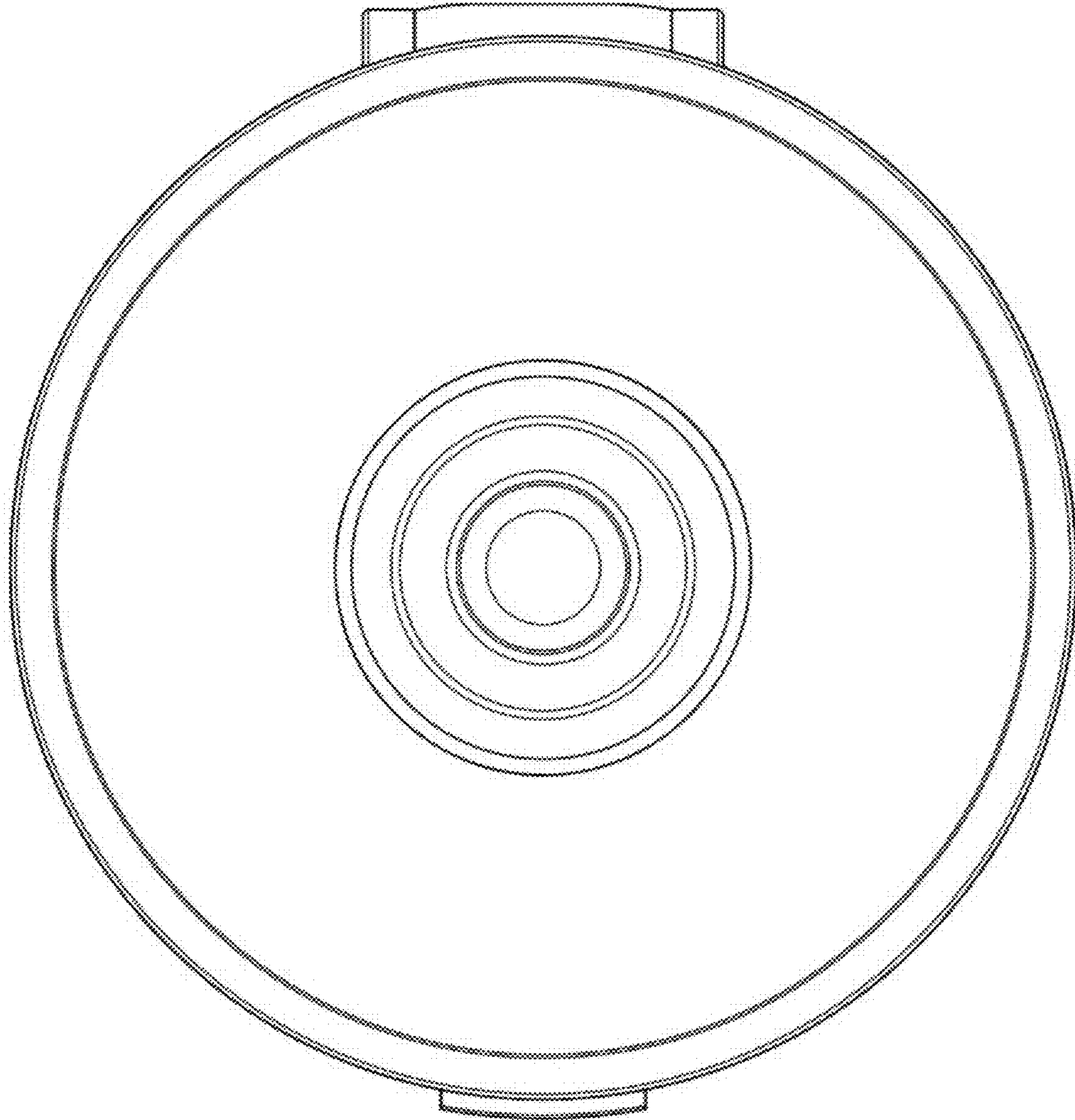
1.4



1.5



1.6



1.7

