



US00D975923S

(12) **United States Design Patent** (10) **Patent No.:** **US D975,923 S**
Fox (45) **Date of Patent:** **** Jan. 17, 2023**

(54) **MOBILE COLOR AND STYLE APPLICATION DEVICE**

(71) Applicant: **Alisha Fox**, Sidney, IA (US)

(72) Inventor: **Alisha Fox**, Sidney, IA (US)

(**) Term: **15 Years**

(21) Appl. No.: **29/730,520**

(22) Filed: **Apr. 6, 2020**

(51) **LOC (14) Cl.** **28-03**

(52) **U.S. Cl.**
USPC **D28/73**

(58) **Field of Classification Search**
USPC D28/9, 10, 20, 73; D6/511, 653.2,
D6/655.18, 655.2, 665, 681.1-681.3,
D6/682.1, 682.3
CPC . A47F 5/04; A47F 5/08; A47F 7/0021; A45D
29/18; A45D 29/20; A45D 44/00; A45D
44/02

See application file for complete search history.

5,564,661 A	10/1996	Gershon	
D395,182 S *	6/1998	Singleton D28/73
5,819,960 A *	10/1998	Bonazza A47F 5/04 211/133.4
D408,172 S *	4/1999	Nobili D6/682.2
6,889,950 B2	5/2005	Evanoff	
D734,541 S *	7/2015	Petruccelli D28/73
D815,463 S *	4/2018	Kobayashi D6/655.2
D898,291 S *	10/2020	Taylor D6/675.4
2003/0094123 A1	5/2003	Ulmer	
2007/0221813 A1*	9/2007	Blum A45D 44/02 248/520
2019/0344312 A1	11/2019	Palmer	
2020/0015453 A1	1/2020	Escalante et al.	
2020/0077788 A1	3/2020	Albers et al.	

* cited by examiner

Primary Examiner — Zenia I Bennett
(74) *Attorney, Agent, or Firm* — Suiter Swantz pc llo

(57) **CLAIM**

The ornamental design for a mobile color and style application device, as shown and described.

(56) **References Cited**

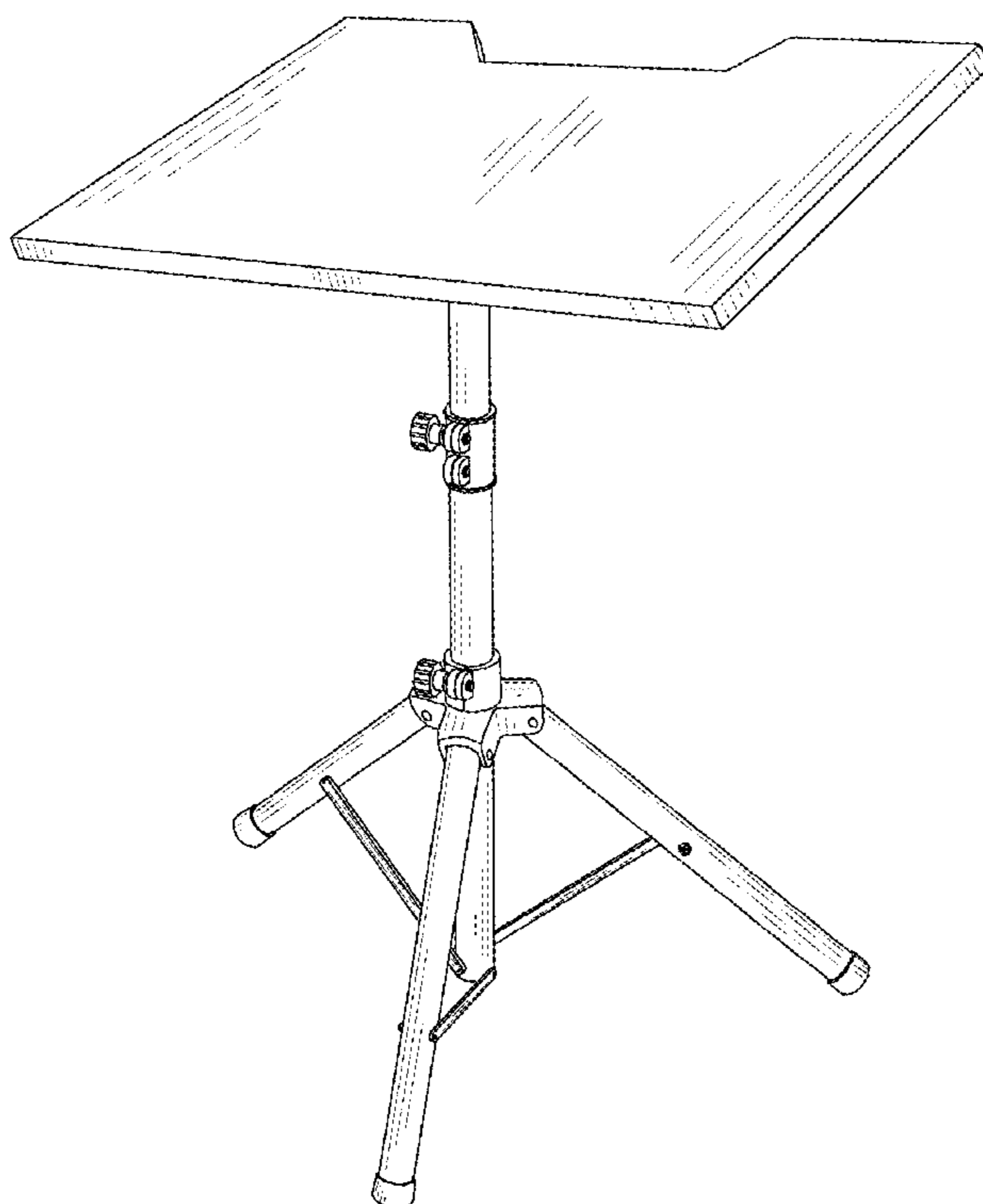
U.S. PATENT DOCUMENTS

2,112,669 A *	3/1938	Halas A47C 1/11 4/522
2,353,064 A	7/1944	Linthicum	
D216,852 S *	3/1970	Farwick D28/9
4,606,525 A	8/1986	Lombardi	
D301,414 S *	6/1989	Maltese D6/655.2
4,979,524 A *	12/1990	Anderson A45D 44/02 132/202
5,267,712 A	12/1993	Shen	

DESCRIPTION

FIG. 1 is a perspective view showing our new design;
FIG. 2 is a top plan view thereof;
FIG. 3 is a front elevation view thereof;
FIG. 4 is a first side elevation view thereof;
FIG. 5 is a rear elevation view thereof;
FIG. 6 is a second side elevation view thereof; and,
FIG. 7 is a bottom plan view thereof.

1 Claim, 7 Drawing Sheets



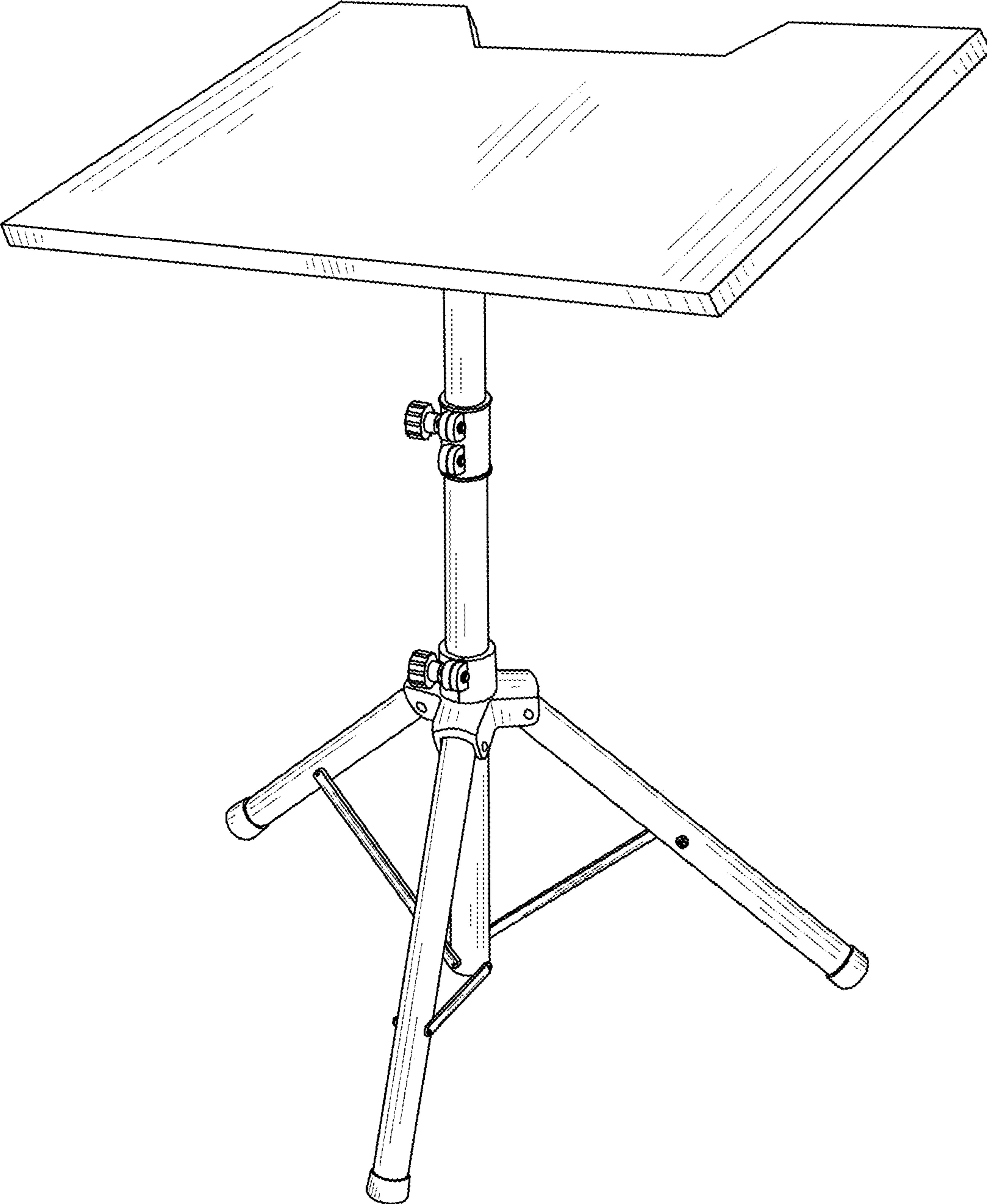


FIG. 1

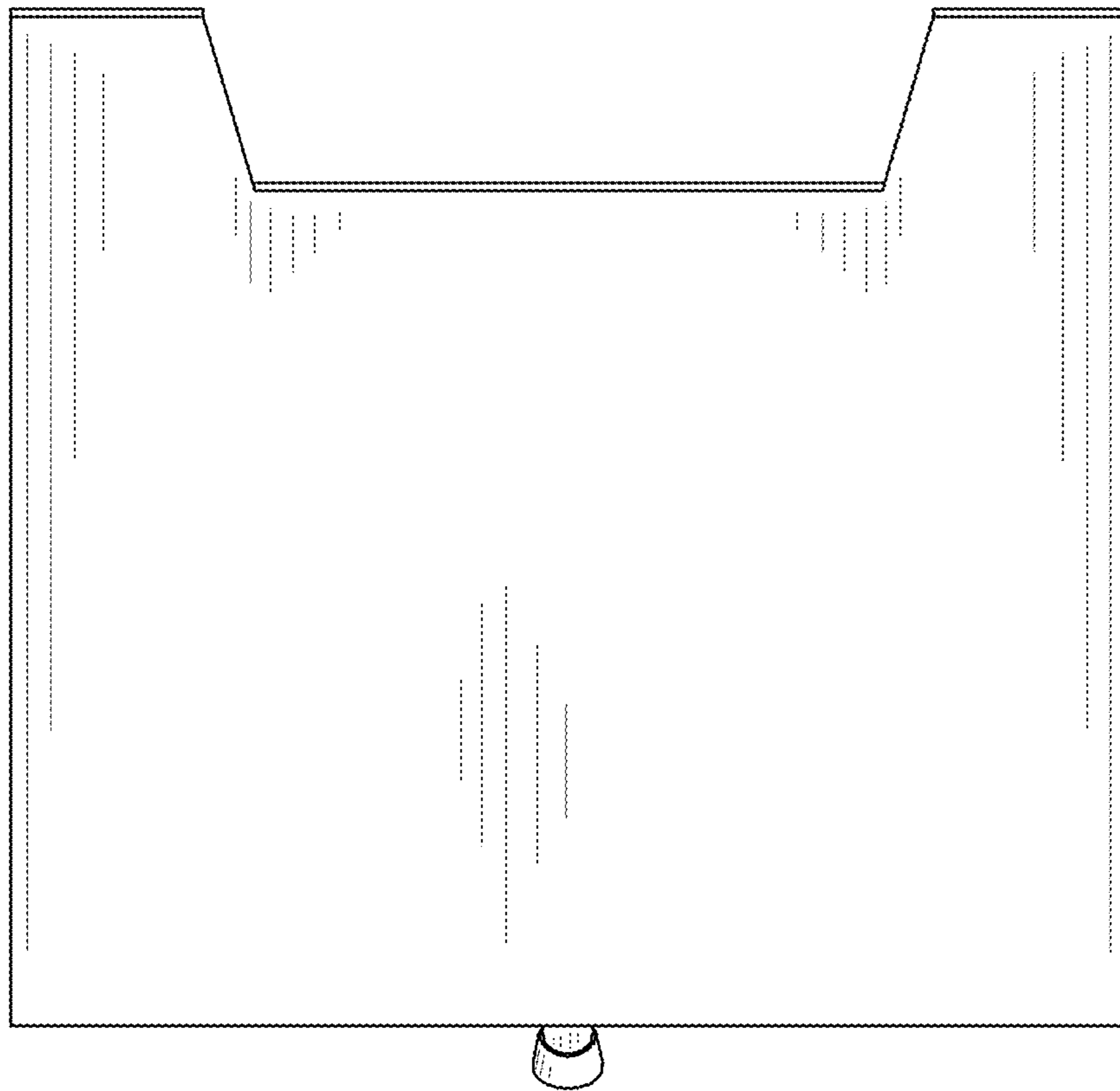


FIG. 2

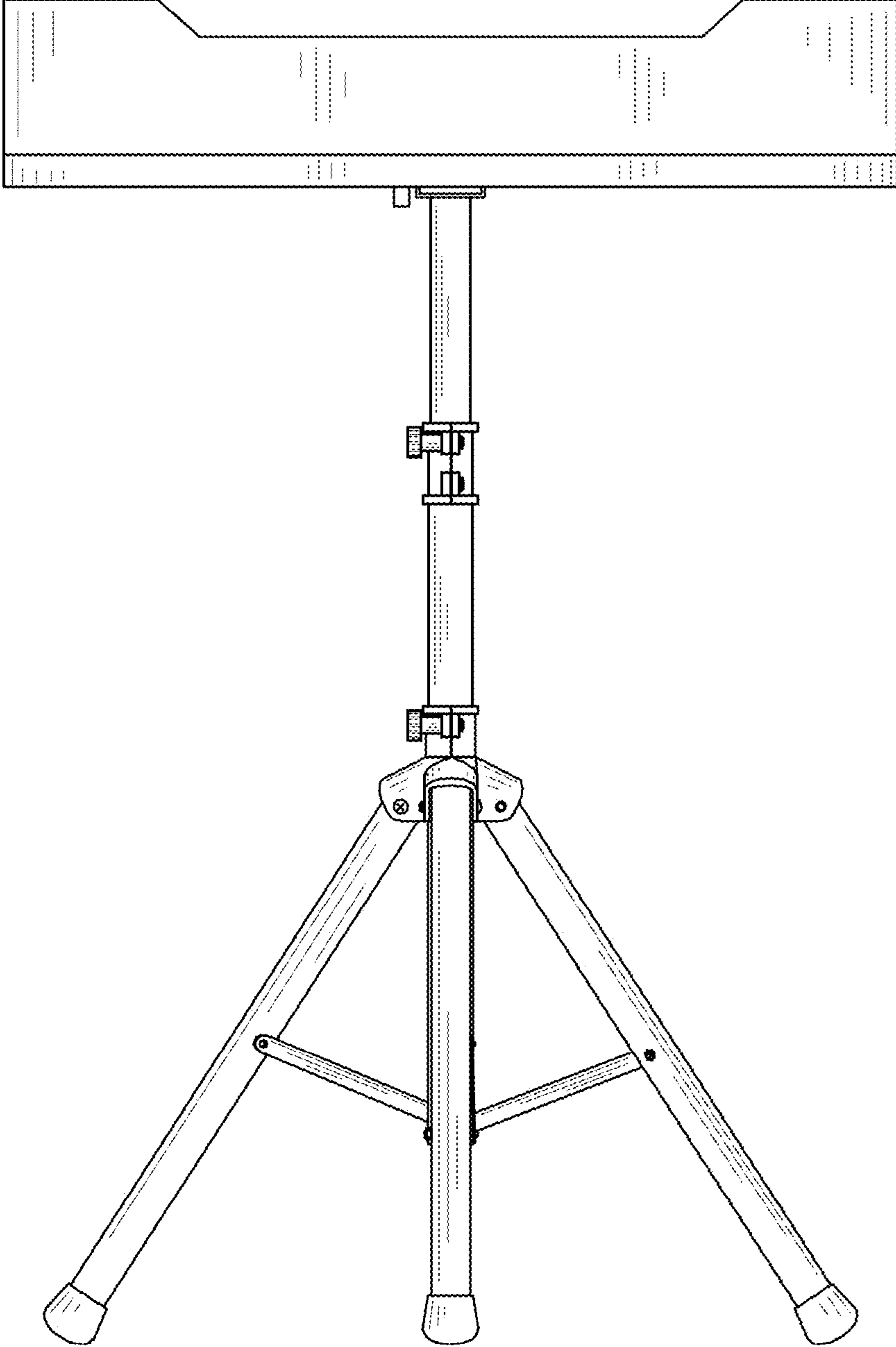


FIG. 3

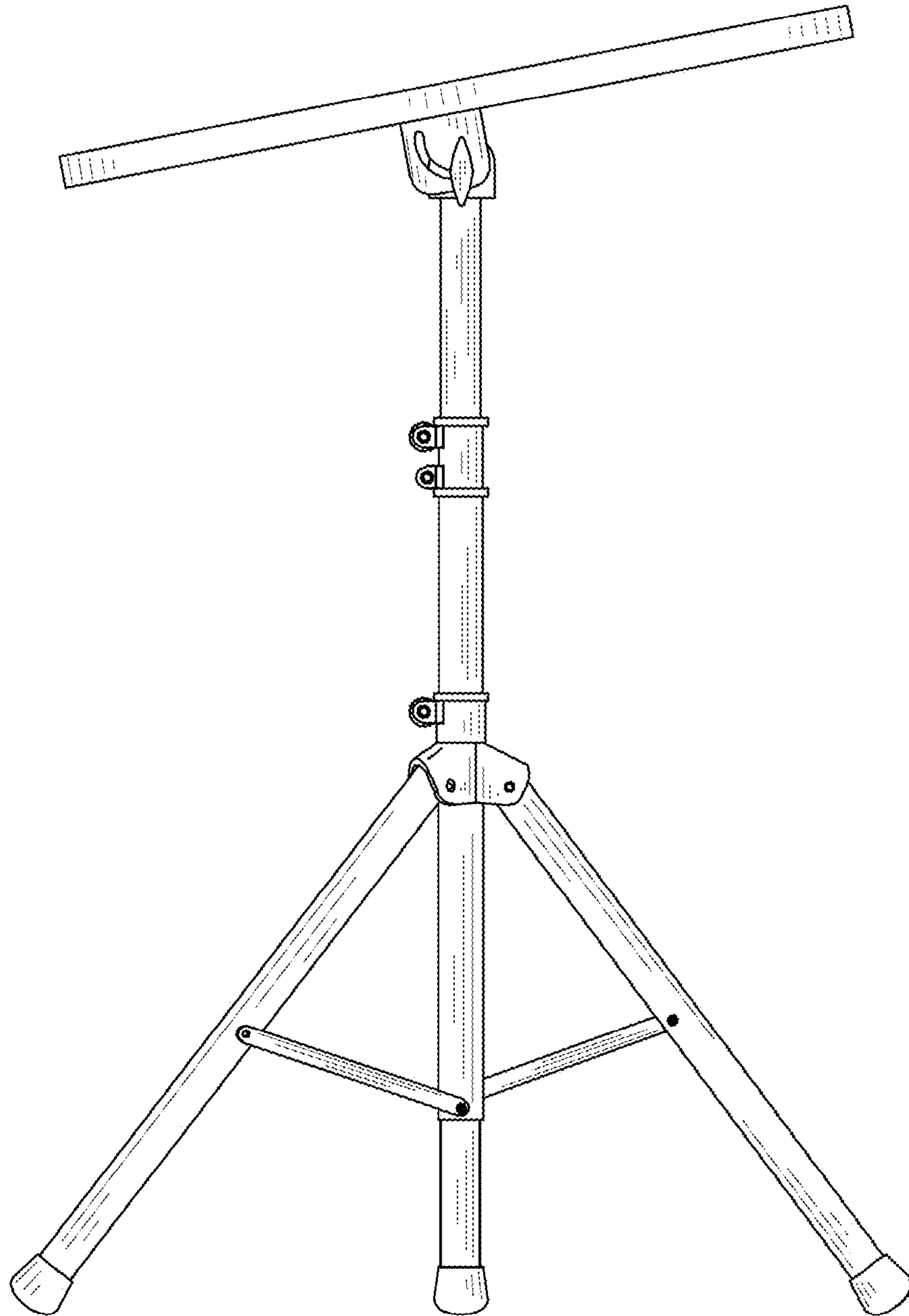


FIG. 4

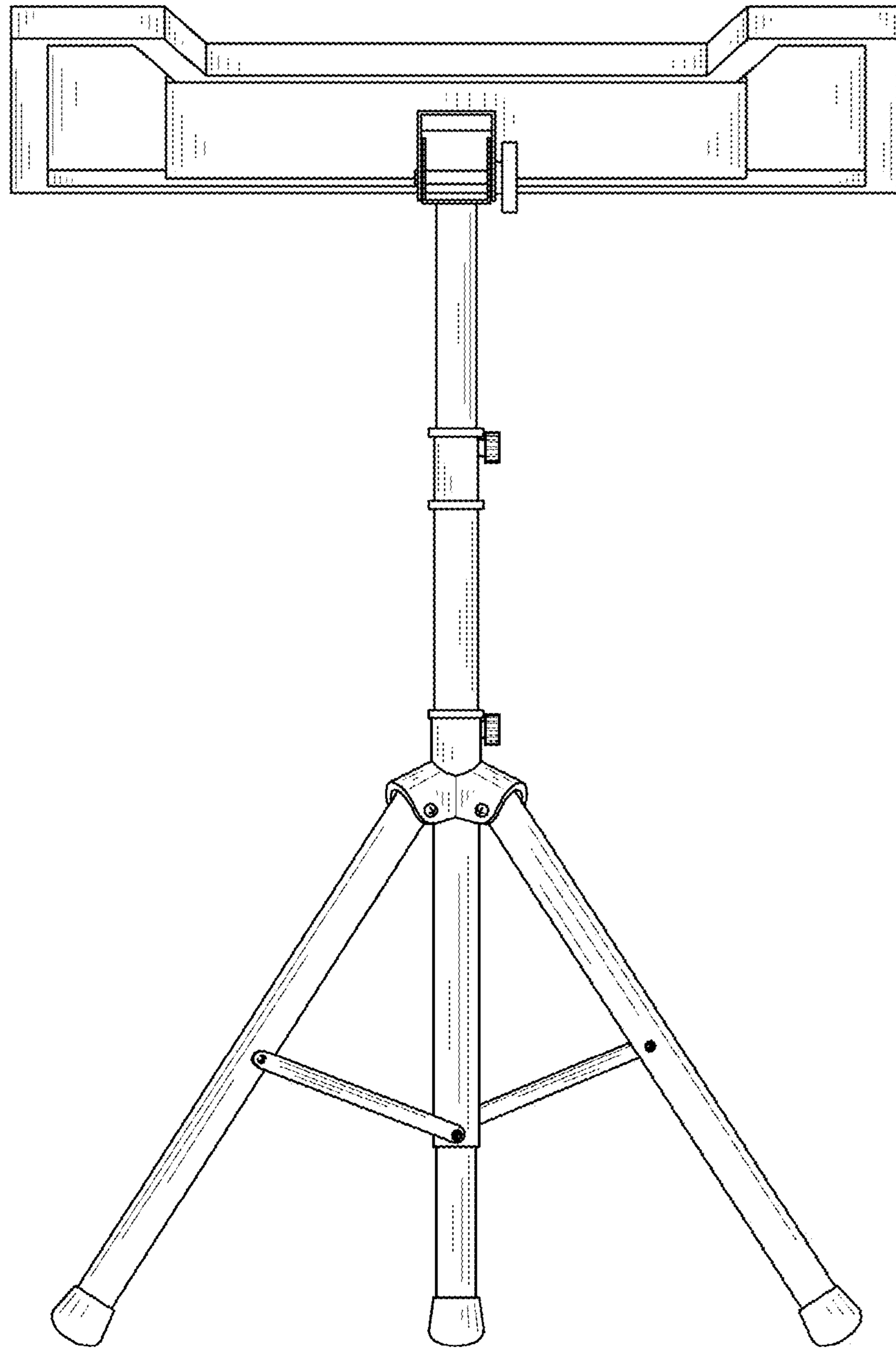


FIG. 5

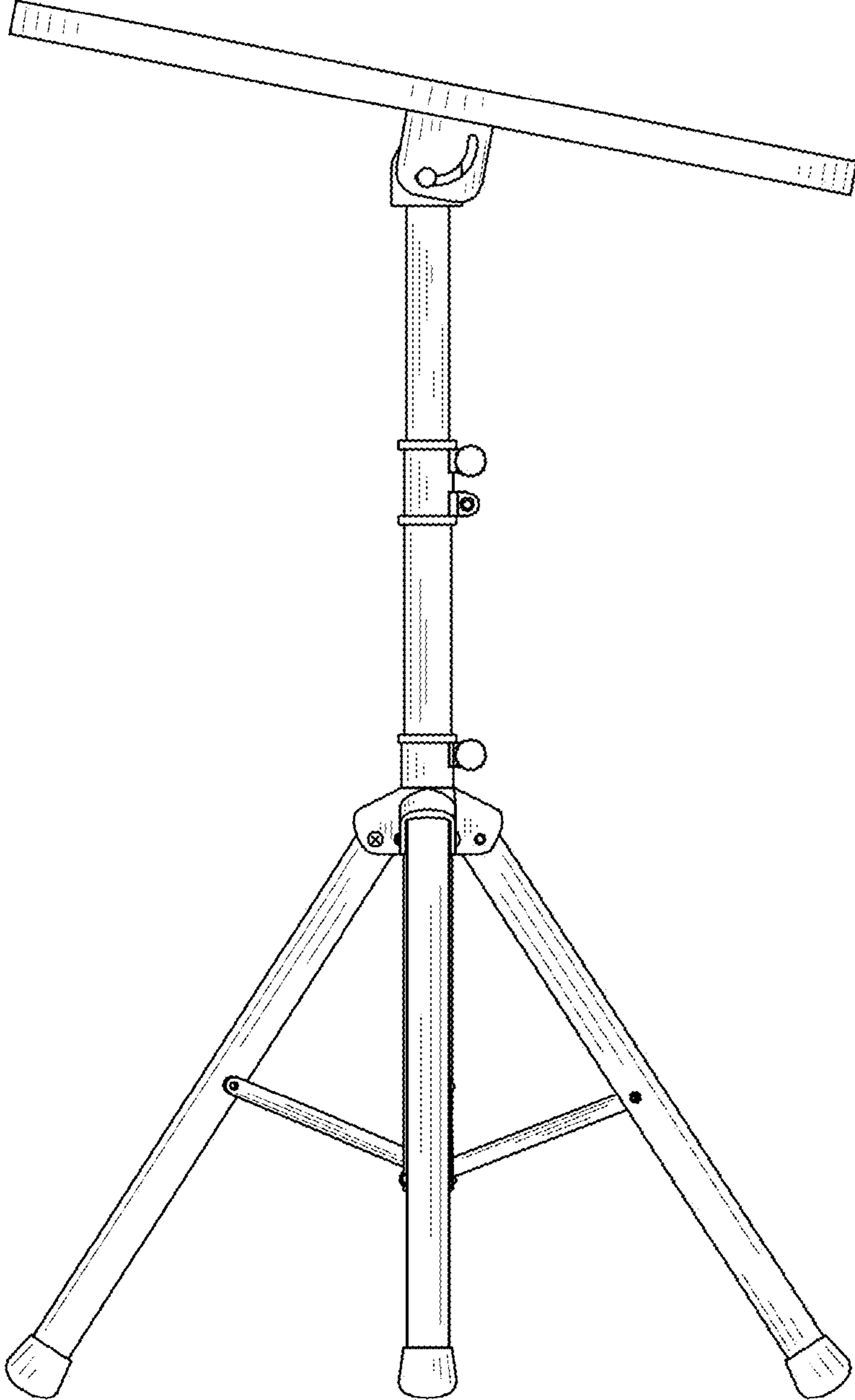


FIG. 6

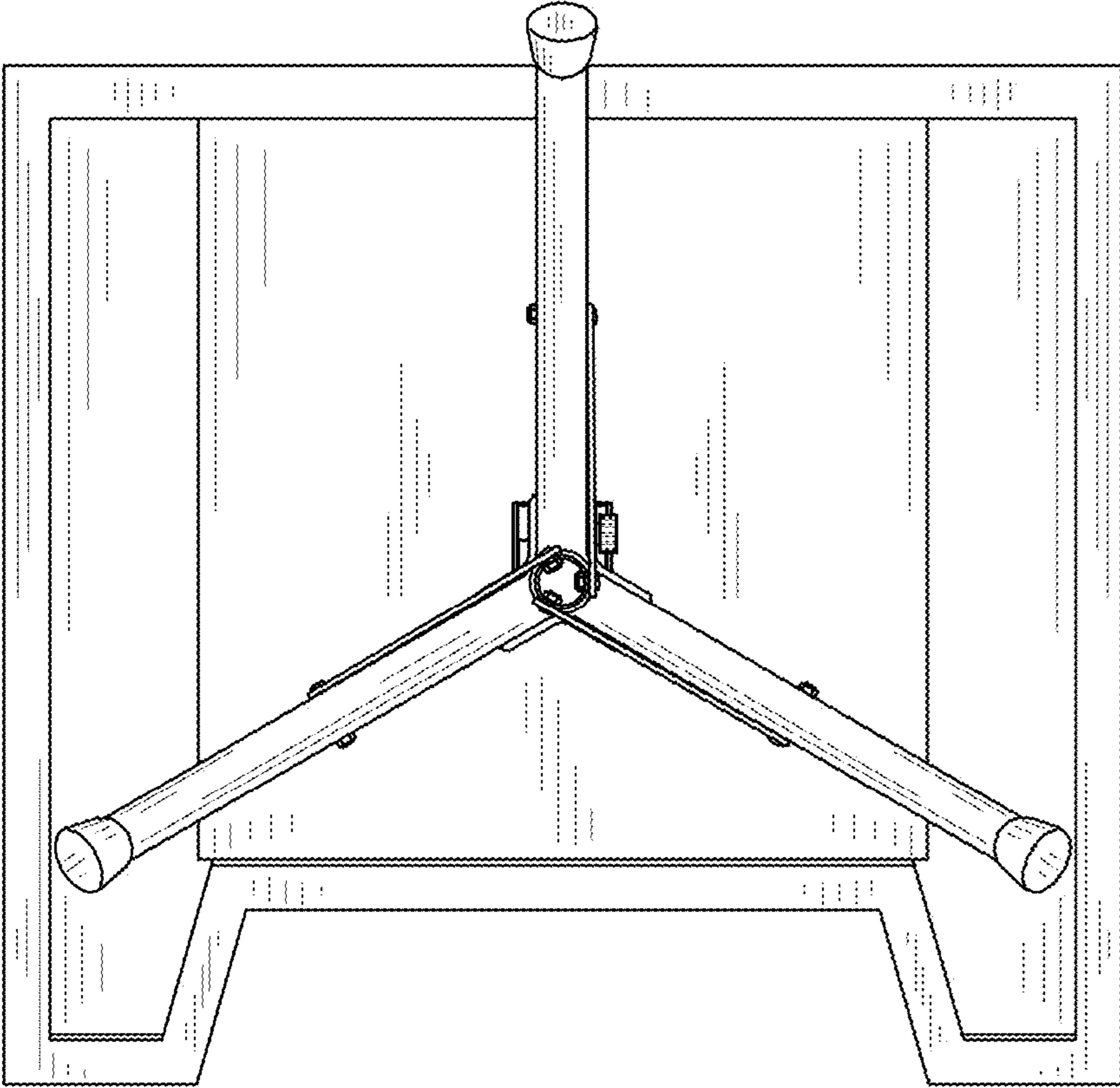


FIG. 7