



US00D975922S

(12) **United States Design Patent** (10) **Patent No.:** **US D975,922 S**
Zhang (45) **Date of Patent:** **** Jan. 17, 2023**

(54) **LINT REMOVER**

FOREIGN PATENT DOCUMENTS

(71) Applicant: **Shenzhen Lingshan Technology Co., Ltd**, Shenzhen (CN)

CN 112244734 A * 1/2021 A47L 25/00
CN 112497270 A * 3/2021 B26B 19/14

(72) Inventor: **Wei Zhang**, Shenzhen (CN)

OTHER PUBLICATIONS

(**) Term: **15 Years**

Vasson Fabric Shaver by Vasson, www.amazon.com, 1 page, first available Aug. 2021 (Year: 2021).*

(21) Appl. No.: **29/786,858**

* cited by examiner

(22) Filed: **Jun. 3, 2021**

Primary Examiner — Jennifer Rivard

(51) **LOC (14) Cl.** **28-03**

(52) **U.S. Cl.**
USPC **D28/50**

(57) **CLAIM**

(58) **Field of Classification Search**
USPC D4/137, 118; D28/50, 44
CPC B26B 19/14; B26B 19/48; B26B 19/3853;
B26B 19/44; D06C 11/00; A47L 25/08
See application file for complete search history.

The ornamental design for a lint remover, as shown and described.

DESCRIPTION

(56) **References Cited**

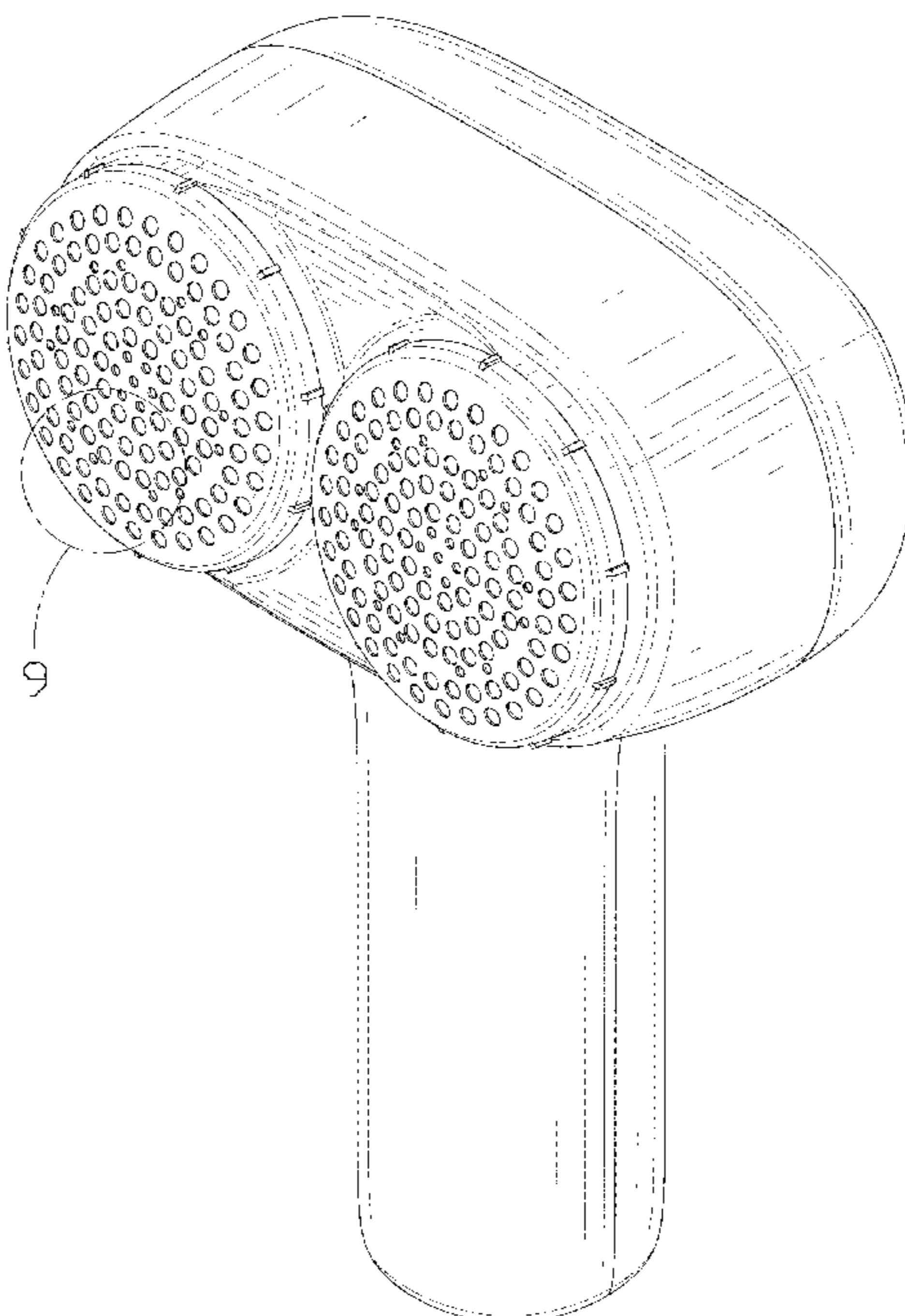
U.S. PATENT DOCUMENTS

4,417,397	A	*	11/1983	Kitamura	B26B 19/44
						30/34.2
D472,024	S	*	3/2003	Caldwell	B26B 19/44
						D32/32
D500,168	S	*	12/2004	Ho	D28/44
D510,138	S	*	9/2005	Kim	D24/146
D513,814	S	*	1/2006	Chen	D28/50
D620,643	S	*	7/2010	Teteak	D28/50
D671,267	S	*	11/2012	Hsu	D28/50
D841,243	S	*	2/2019	Hsu	D28/50
D841,244	S	*	2/2019	Hsu	D28/50
D845,544	S	*	4/2019	Hsu	D28/50
D908,961	S	*	1/2021	Yang	D28/50
D911,609	S	*	2/2021	Li	D28/50
D917,890	S	*	5/2021	Cai	D4/137
D936,288	S	*	11/2021	Zou	D28/50

FIG. 1 is a front and top perspective view of a lint remover showing my new design;
FIG. 2 is a rear and bottom perspective view thereof;
FIG. 3 is a front elevation view thereof;
FIG. 4 is a rear elevation view thereof;
FIG. 5 is a left side elevation view thereof;
FIG. 6 is a right side elevation view thereof;
FIG. 7 is a top plan view thereof;
FIG. 8 is a bottom plan view thereof; and,
FIG. 9 is an enlarged view of a portion indicated with numeric 9 in FIG. 1.

The broken lines in the figures illustrate portions of the lint remover that form no part of the claimed design. The dash dot dash lines in FIGS. 1 and 9 are for the purpose of depicting the cut line of the enlarged view and form no part of the claim.

1 Claim, 9 Drawing Sheets



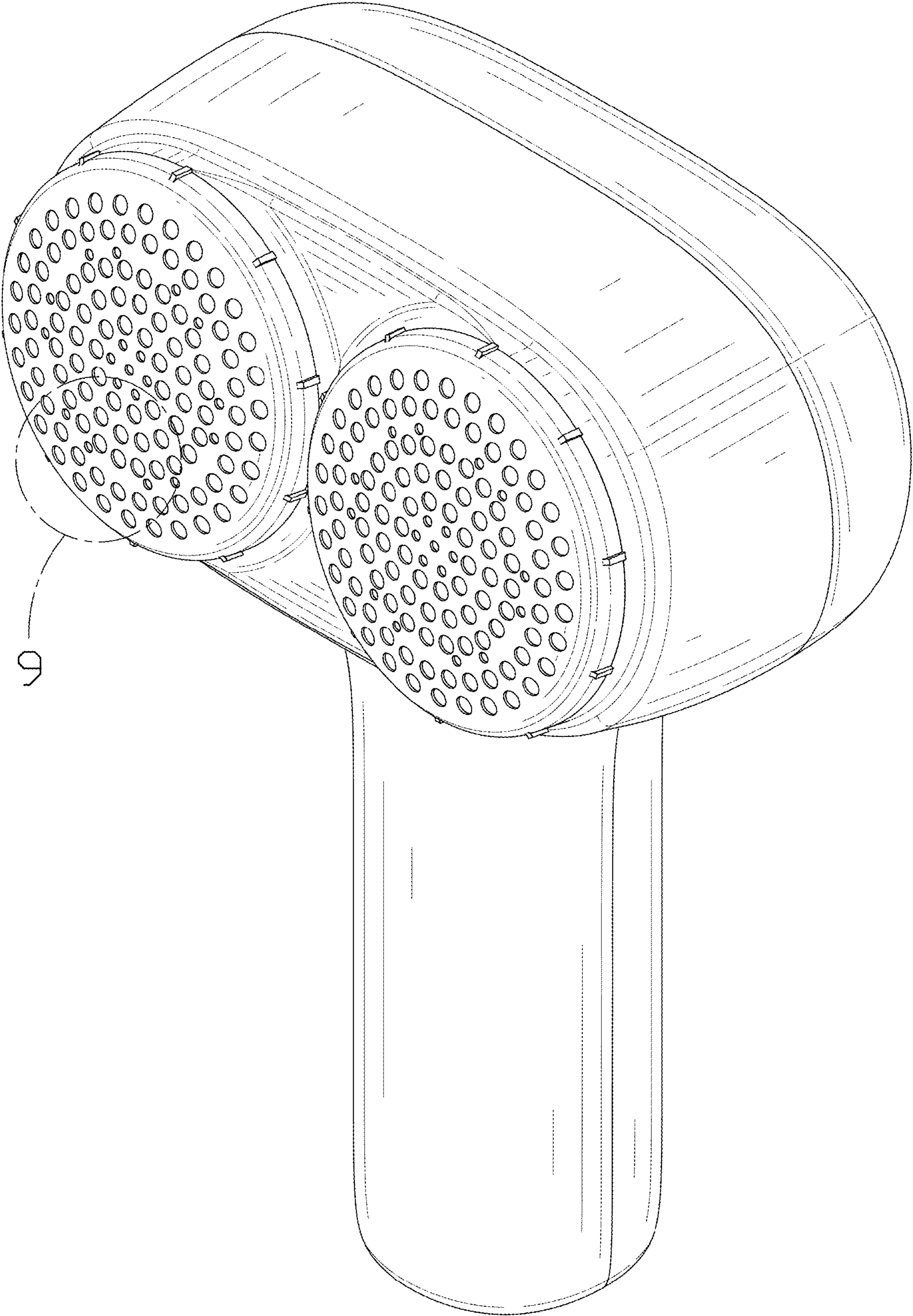


FIG. 1

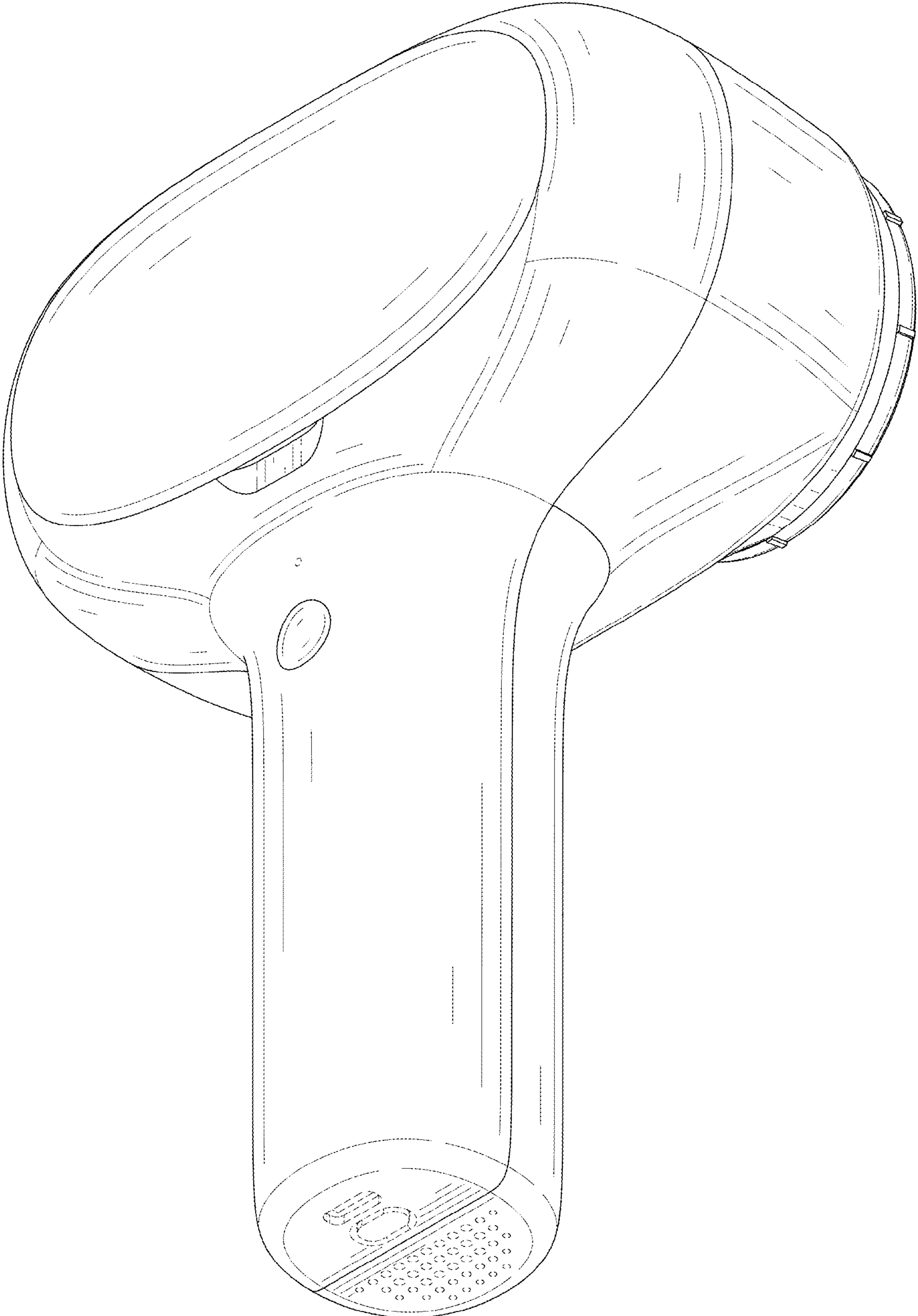


FIG. 2

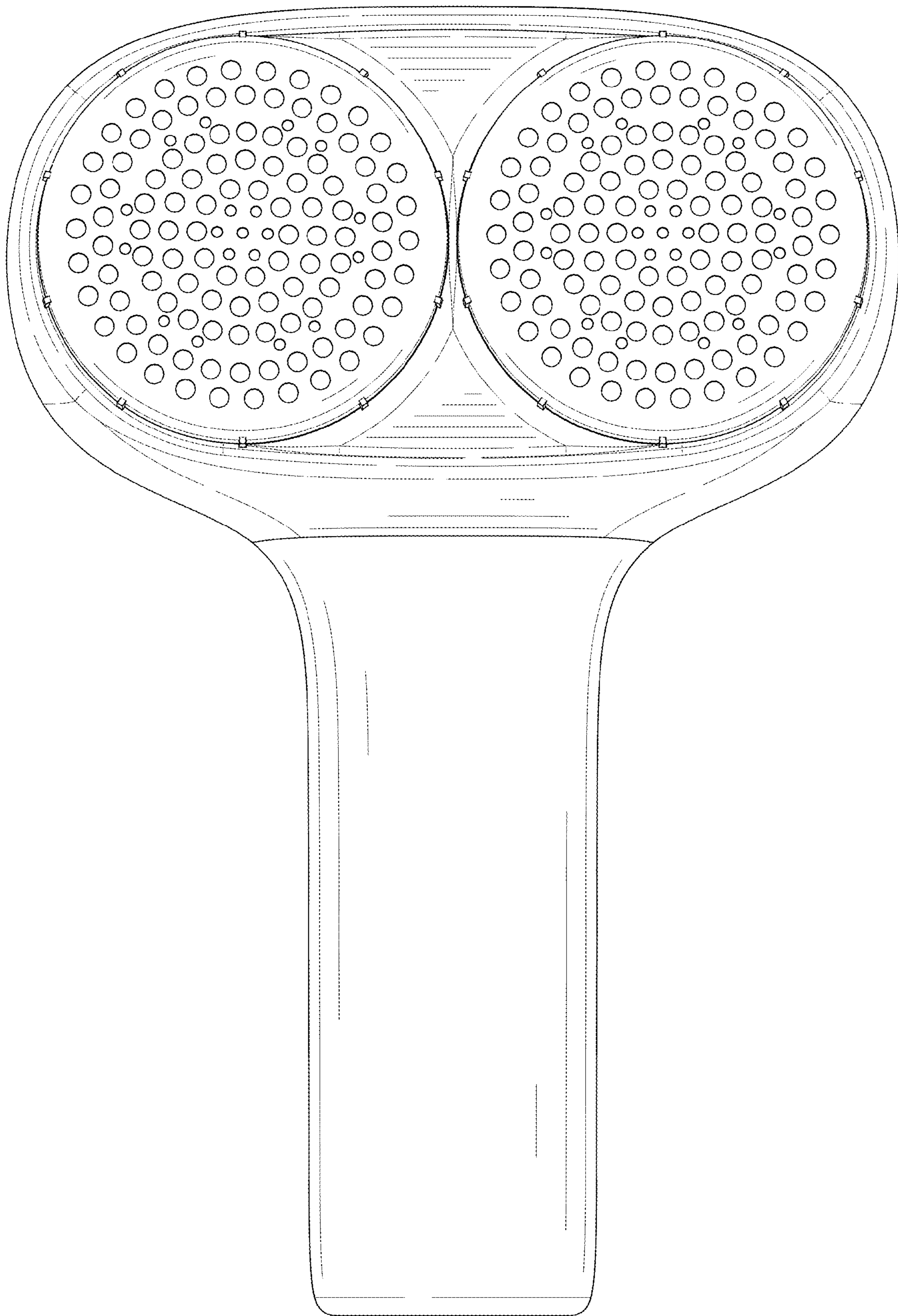


FIG. 3

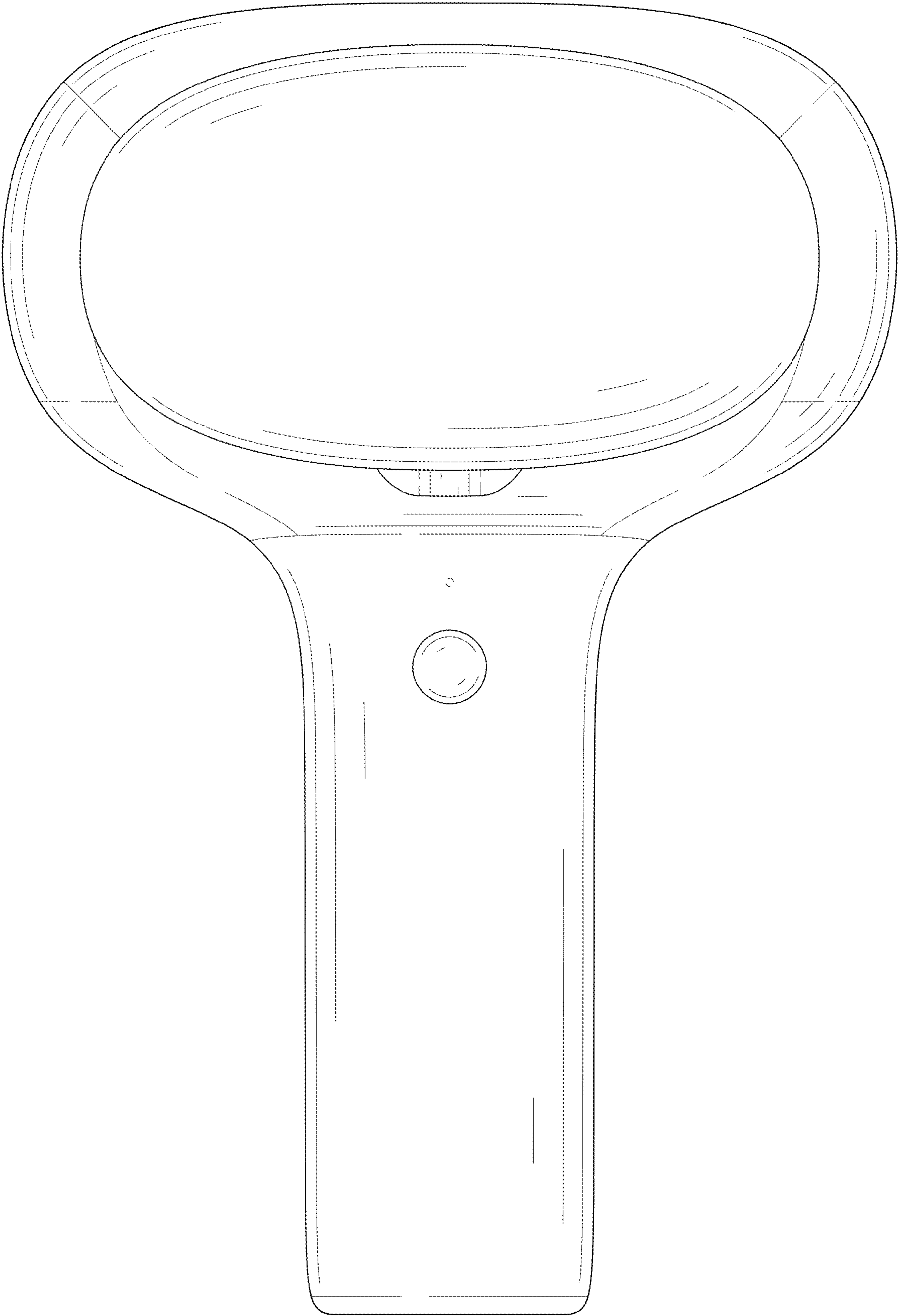


FIG. 4

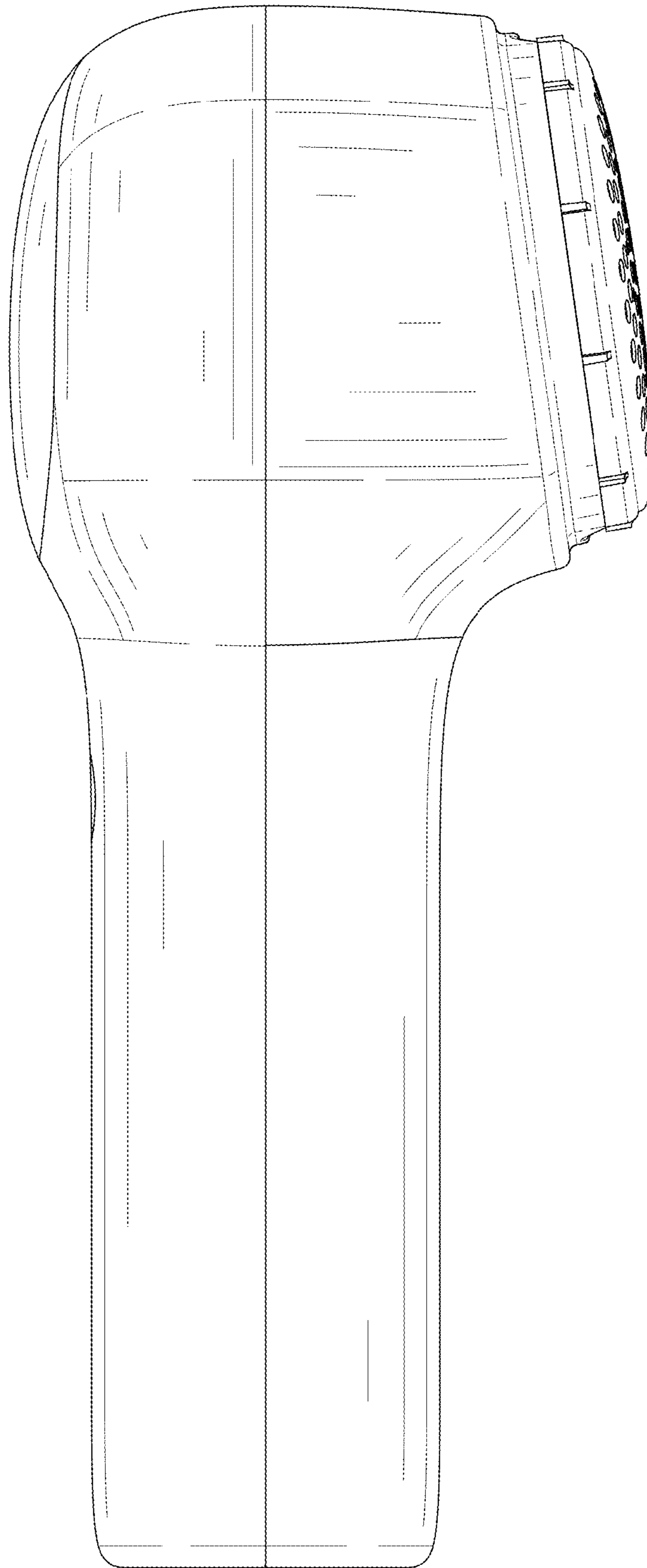


FIG. 5

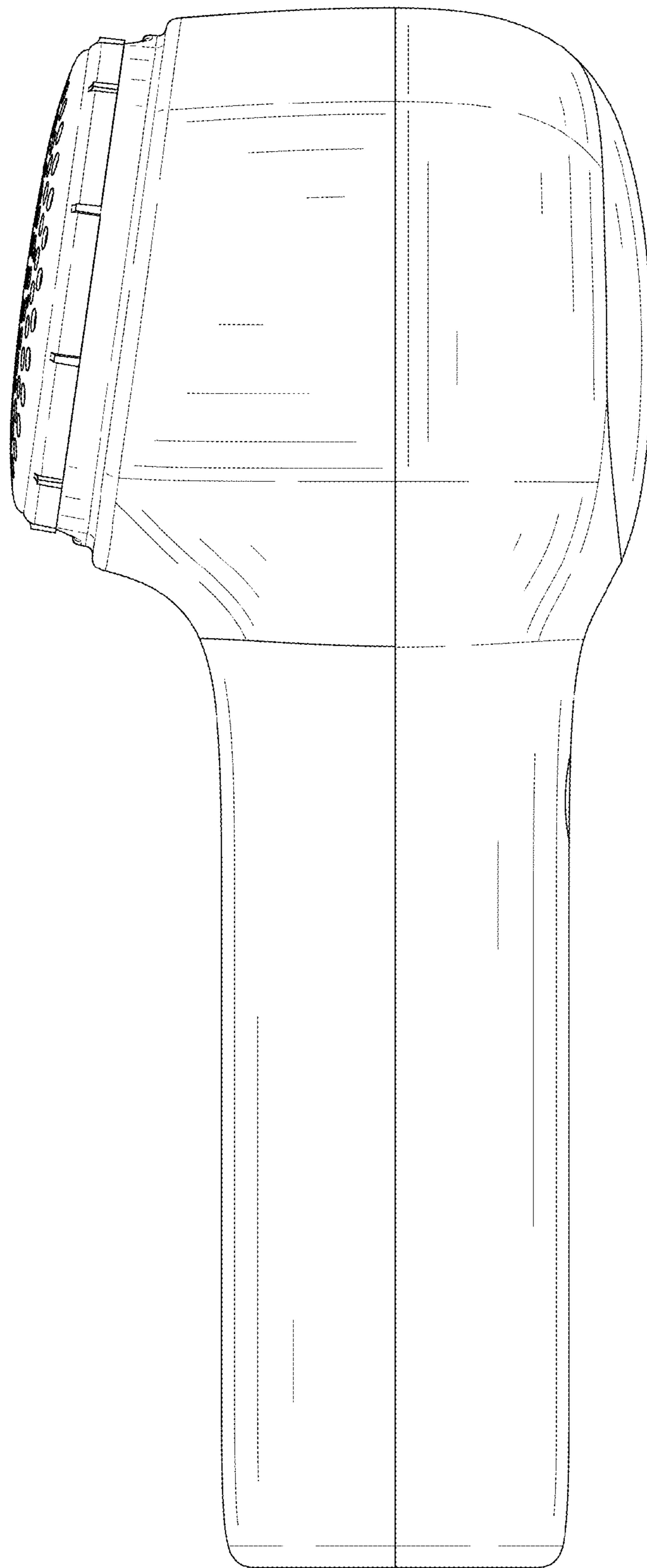


FIG. 6

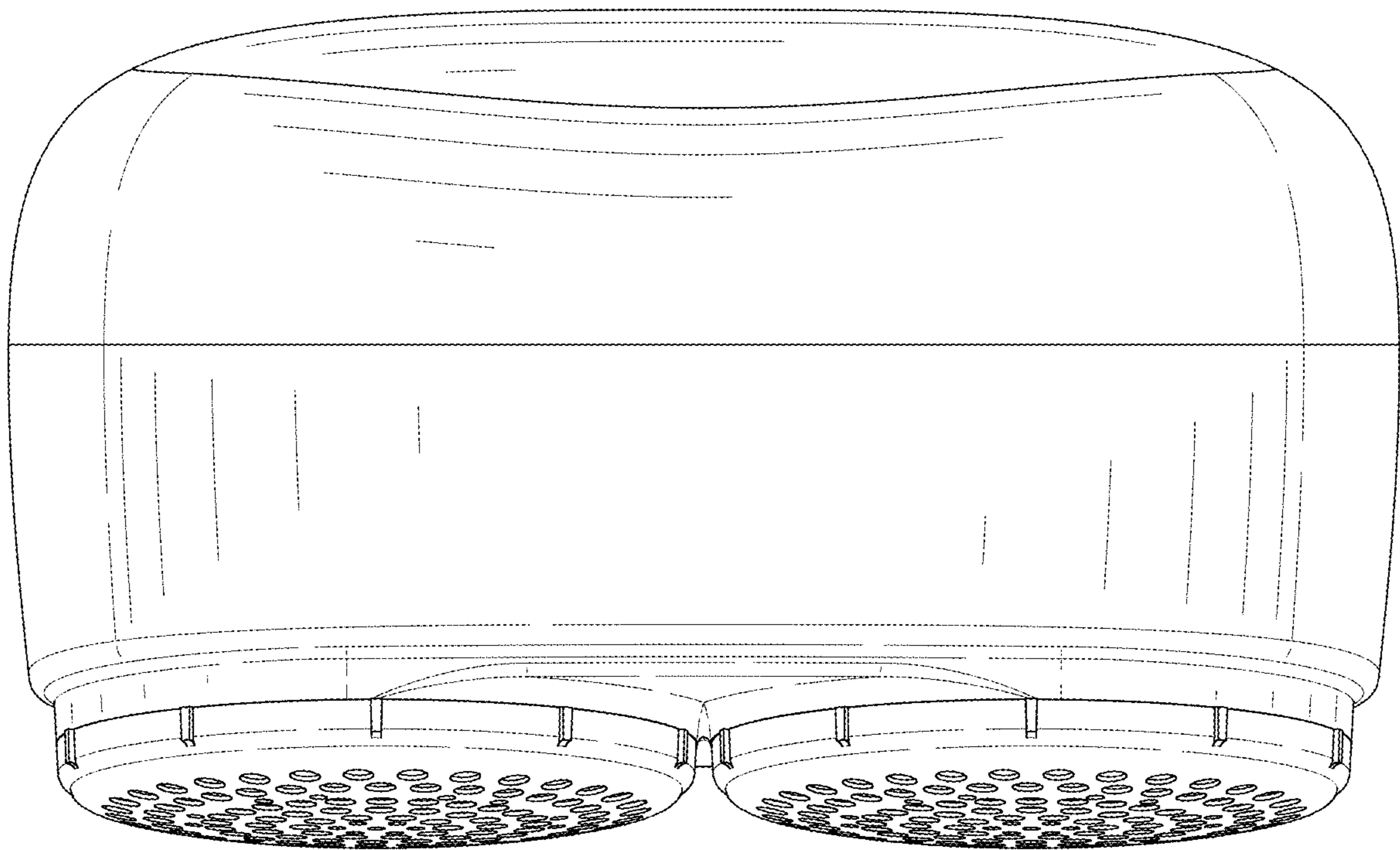


FIG. 7

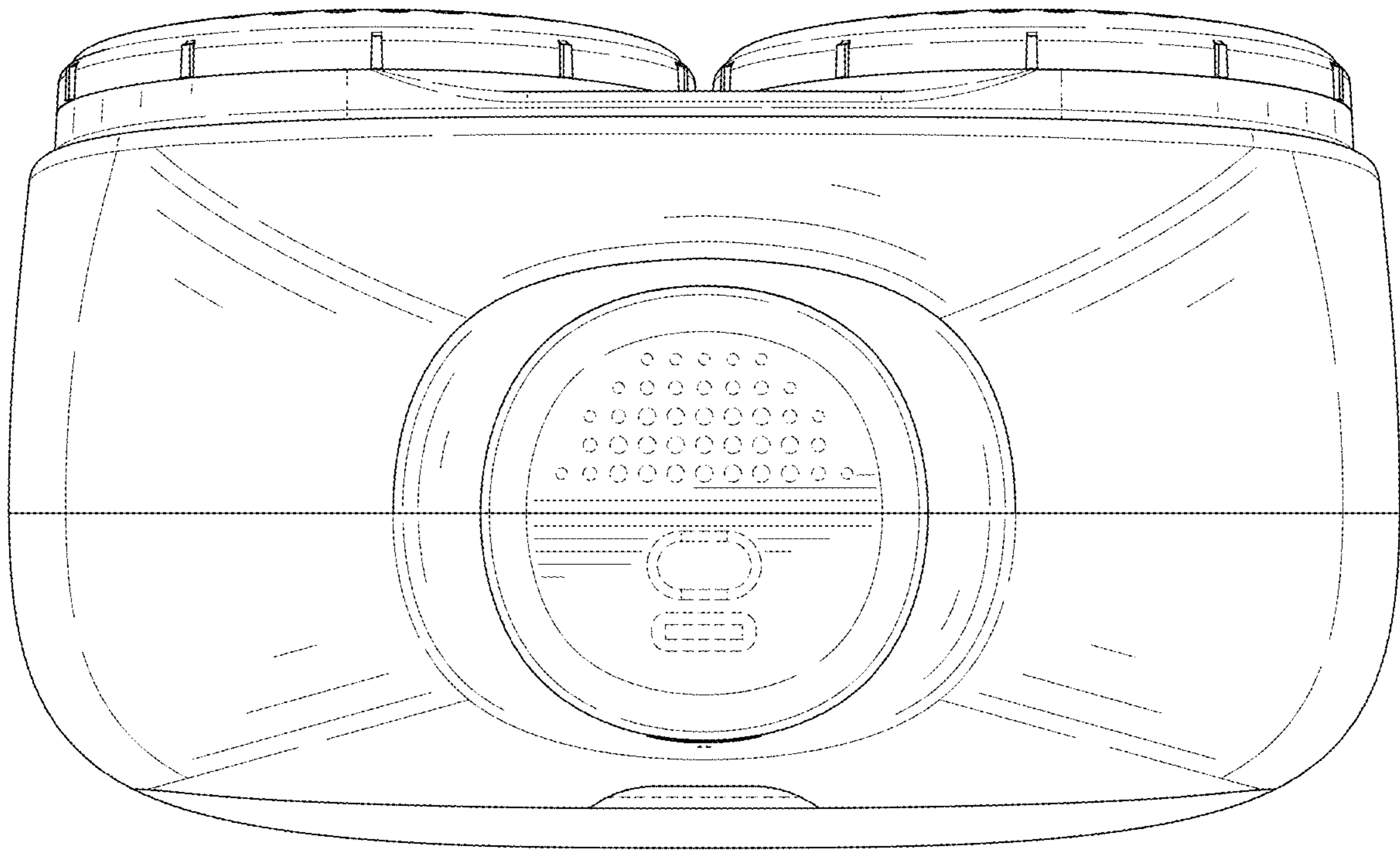


FIG. 8

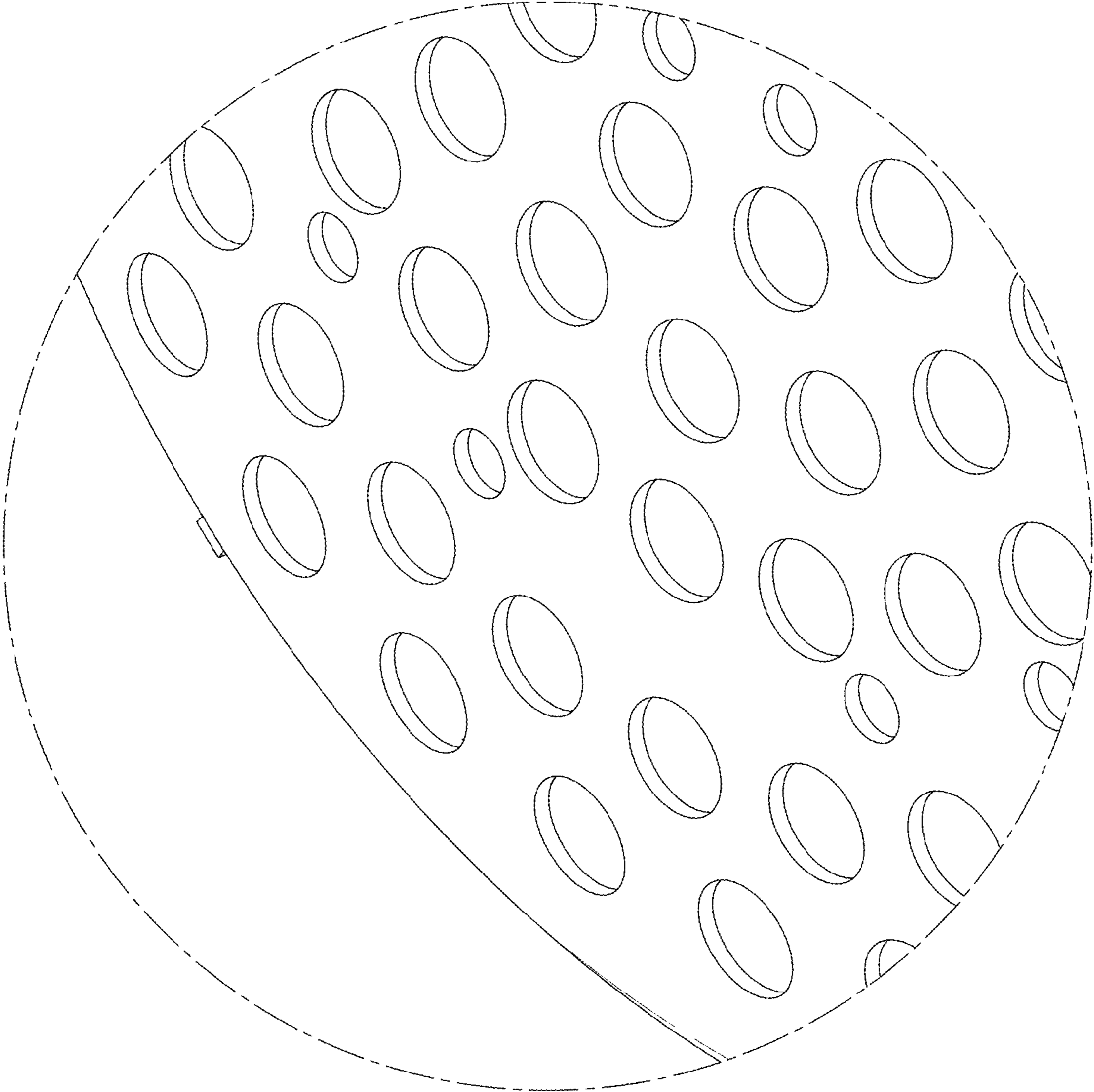


FIG. 9