



US00D975919S

(12) **United States Design Patent** (10) **Patent No.:** **US D975,919 S**
Huang (45) **Date of Patent:** **** Jan. 17, 2023**

- (54) **HAIR STRAIGHTENER**
- (71) Applicant: **GUANGDONG CONFU ELECTRICAL APPLIANCES CO., LTD., Jieyang (CN)**
- (72) Inventor: **Mincong Huang, Jieyang (CN)**
- (73) Assignee: **GUANGDONG CONFU ELECTRICAL APPLIANCES CO., LTD., Jieyang (CN)**
- (**) Term: **15 Years**
- (21) Appl. No.: **29/842,310**
- (22) Filed: **Jun. 13, 2022**
- (51) **LOC (14) Cl.** **28-03**
- (52) **U.S. Cl.**
USPC **D28/35**
- (58) **Field of Classification Search**
USPC D28/35, 10, 37, 38
CPC A45D 2/00; A45D 2/001; A45D 2/002;
A45D 2/02-10; A45D 2/38-42; A45D
2001/045; A45D 1/16; A45D 1/04; A45D
1/06-14; A45D 1/18; A45D 6/04; A45D
6/08; A45D 6/00
See application file for complete search history.

D870,967 S * 12/2019 Huang D28/35
D876,721 S * 2/2020 Lin D28/35
D904,689 S * 12/2020 Yang D28/35

(Continued)

OTHER PUBLICATIONS

Hair Straightener and Curler By: Ohjump found on Amazon (Sep. 10, 2022) https://www.amazon.com/OHJUMP-Straightener-Professional-230%C2%B0F-430%C2%B0F-Iron%E2%84%B7Green%E2%84%B9/dp/B09XR4JZ59/ref=sr_1_1?crid=3K63VT43V2455&keywords=hair+straightener&qid=1665283200 (Jun. 6, 2022).*

Primary Examiner — Rebecca Tsehaye

(57) **CLAIM**

The ornamental design for a hair straightener, as shown and described.

DESCRIPTION

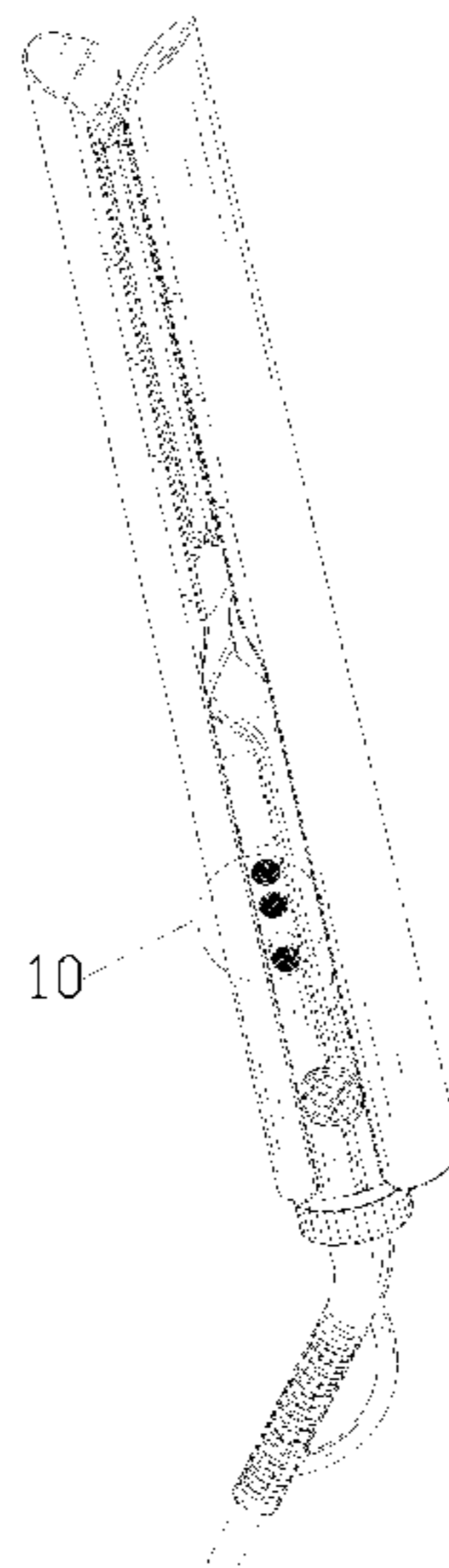
FIG. 1 is a perspective view of a hair straightener showing my new design;
FIG. 2 is another perspective view thereof;
FIG. 3 is a front elevational view thereof;
FIG. 4 is a rear elevational view thereof;
FIG. 5 is a left side elevational view thereof;
FIG. 6 is a right side elevational view thereof;
FIG. 7 is a top plan view thereof;
FIG. 8 is a bottom plan view thereof;
FIG. 9 is a perspective view of the hair straightener where the hair straightener is in an open state;
FIG. 10 is an enlarged view of portion 10 shown in FIG. 1; and,
FIG. 11 is an enlarged view of portion 11 shown in FIG. 3.
The broken lines consisting of evenly spaced dash lines in the drawing depict portions of the hair straightener that form no part of the claimed design; The broken lines consisting of short and long dash lines encircling the enlarged detail views are for annotative purposes that form no part of the claimed design.

(56) **References Cited**

U.S. PATENT DOCUMENTS

D627,925	S	*	11/2010	Nenadich	D28/35
D649,288	S	*	11/2011	Koehler	D28/35
D650,941	S	*	12/2011	Sidebotham	D28/35
D654,619	S	*	2/2012	Julemont	D28/10
D716,496	S	*	10/2014	Fung	D28/35
D716,497	S	*	10/2014	Renault	D28/35
D825,848	S	*	8/2018	Brady	D28/35
D838,039	S		1/2019	Zhou		
D838,907	S	*	1/2019	Bates	D28/35
10,258,132	B2	*	4/2019	Leung	A45D 1/04
D850,002	S	*	5/2019	Bates	D28/35
D865,287	S	*	10/2019	Feng	D28/35

1 Claim, 11 Drawing Sheets



(56)

References Cited

U.S. PATENT DOCUMENTS

D910,237 S *	2/2021	Russo	D28/35
D912,896 S *	3/2021	Zhao	D28/35
D913,589 S *	3/2021	Thalmann	D28/35
D942,682 S *	2/2022	Moon	D28/35
D952,942 S *	5/2022	de Belizal	D28/35
D953,639 S	5/2022	Wang	
D970,809 S *	11/2022	Huang	D28/35
D970,810 S *	11/2022	Huang	D28/35

* cited by examiner

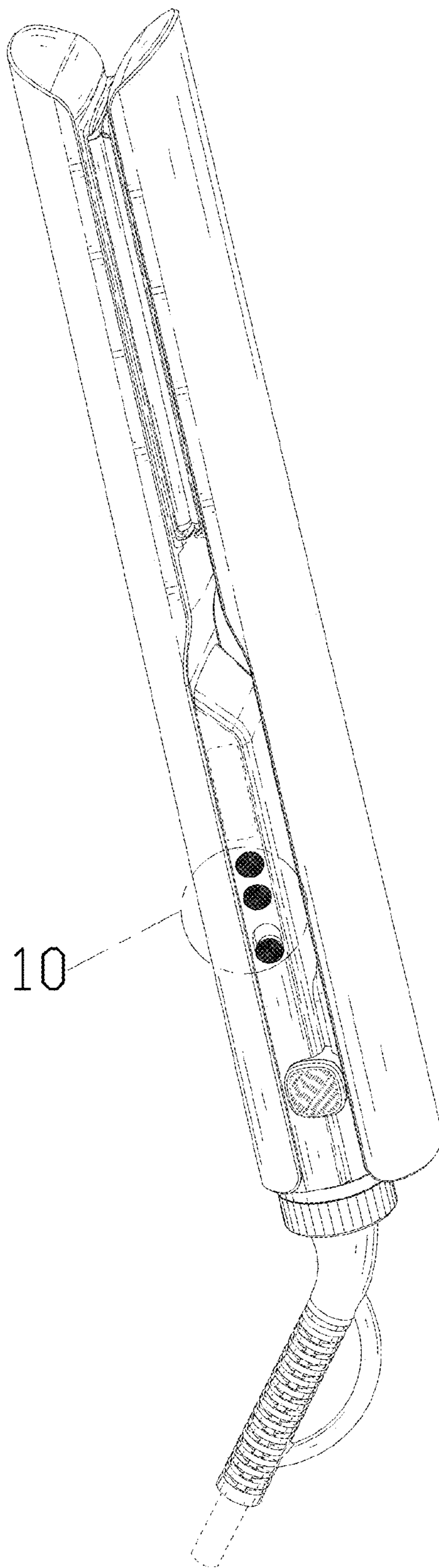


FIG. 1

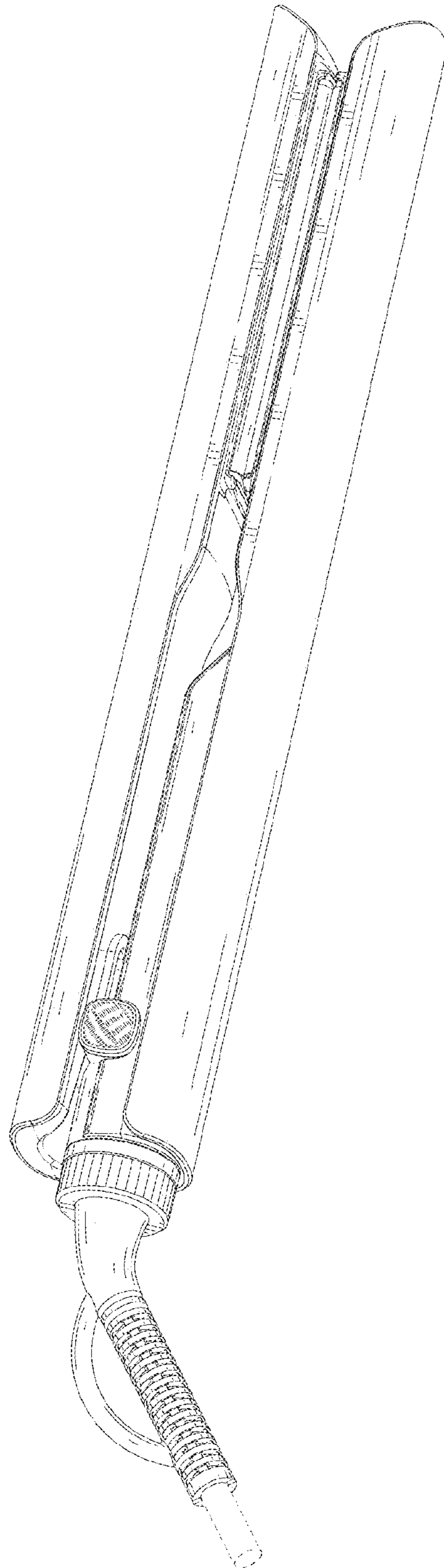


FIG. 2

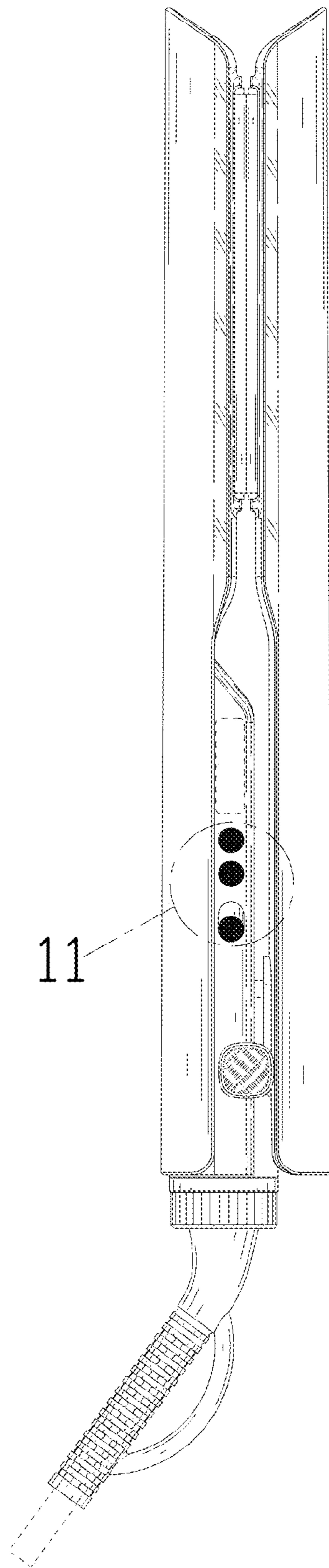


FIG. 3

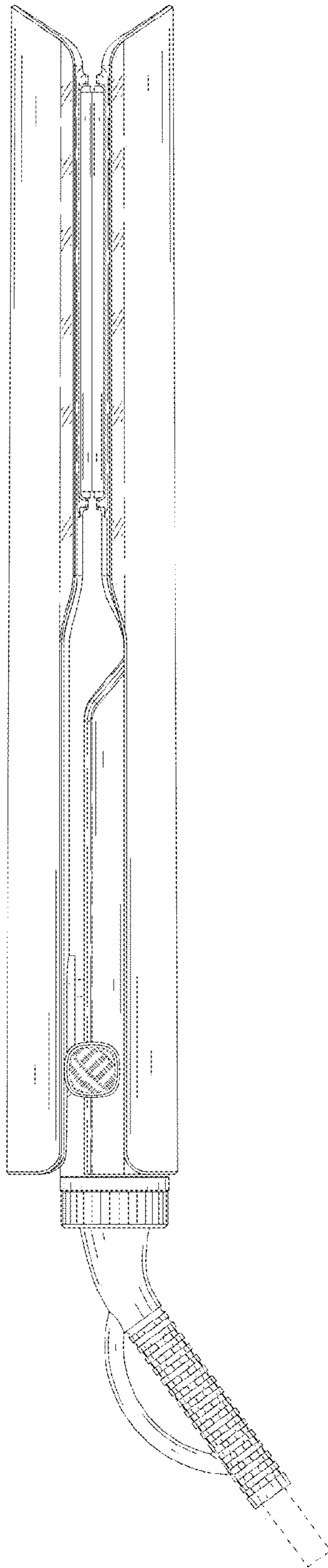


FIG. 4

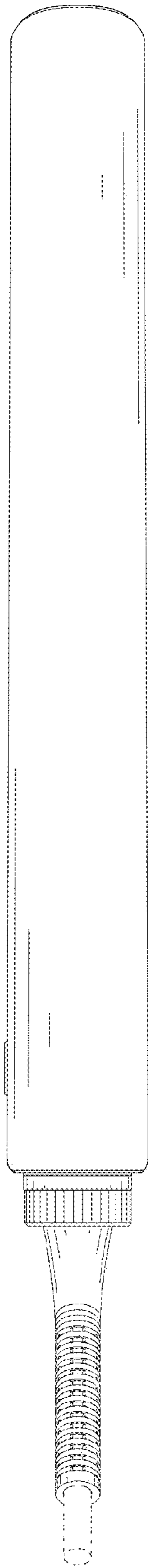


FIG. 5

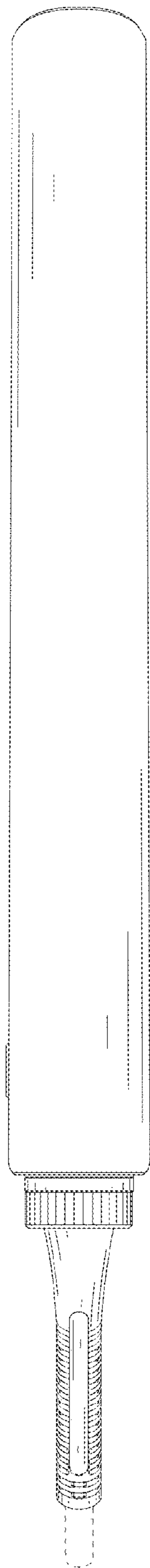


FIG. 6

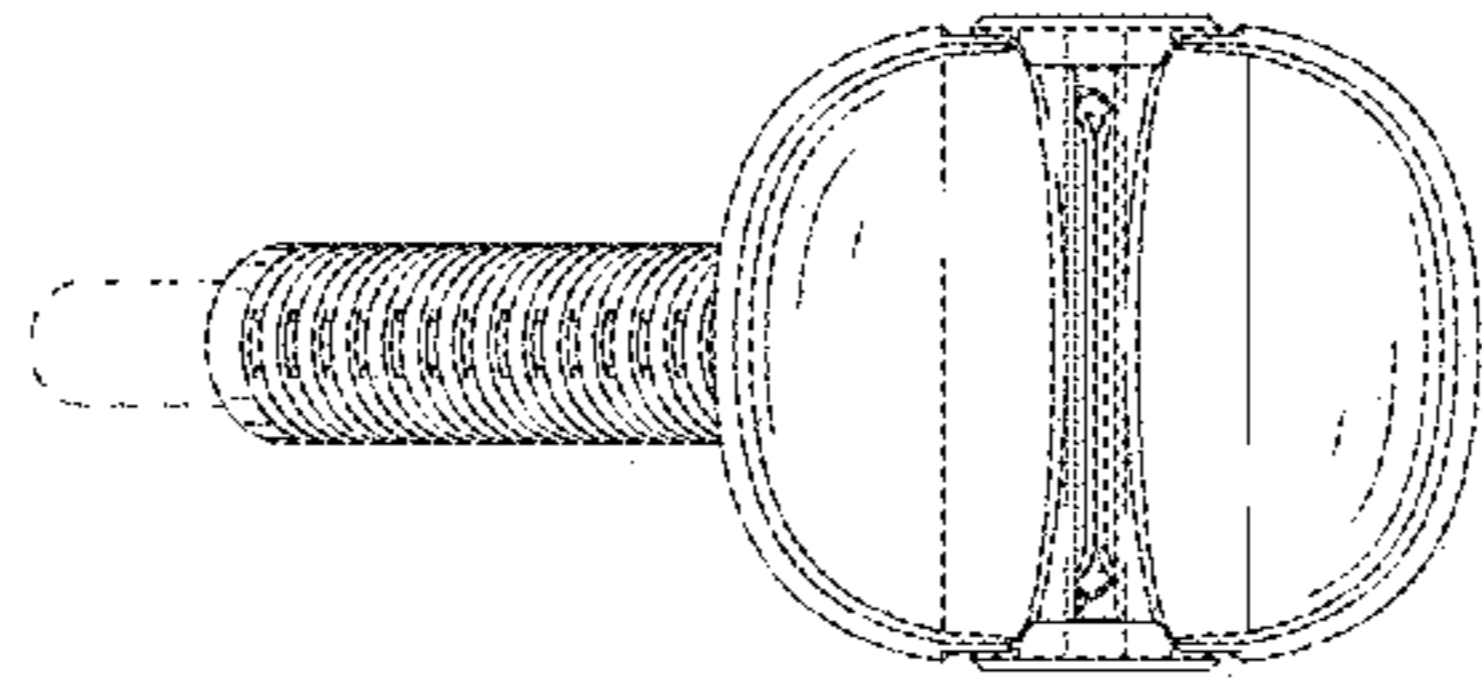


FIG. 7

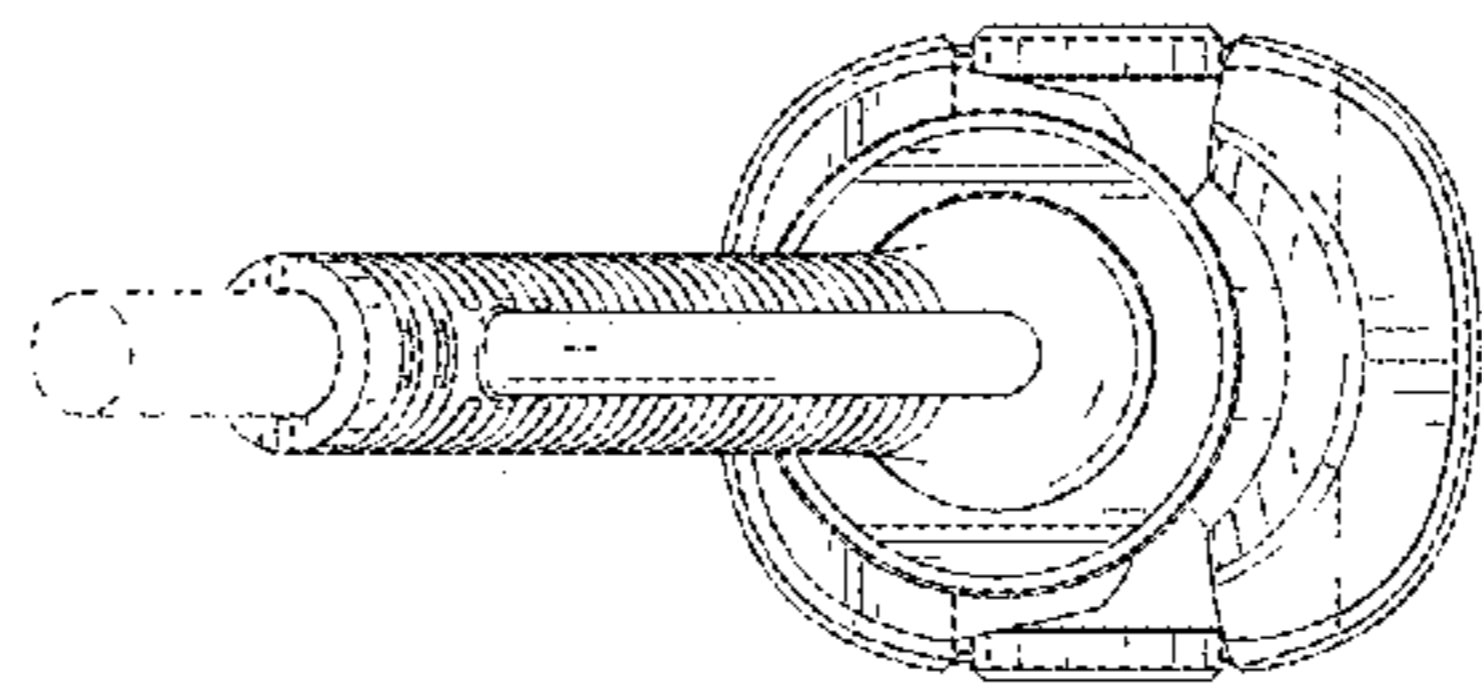


FIG. 8

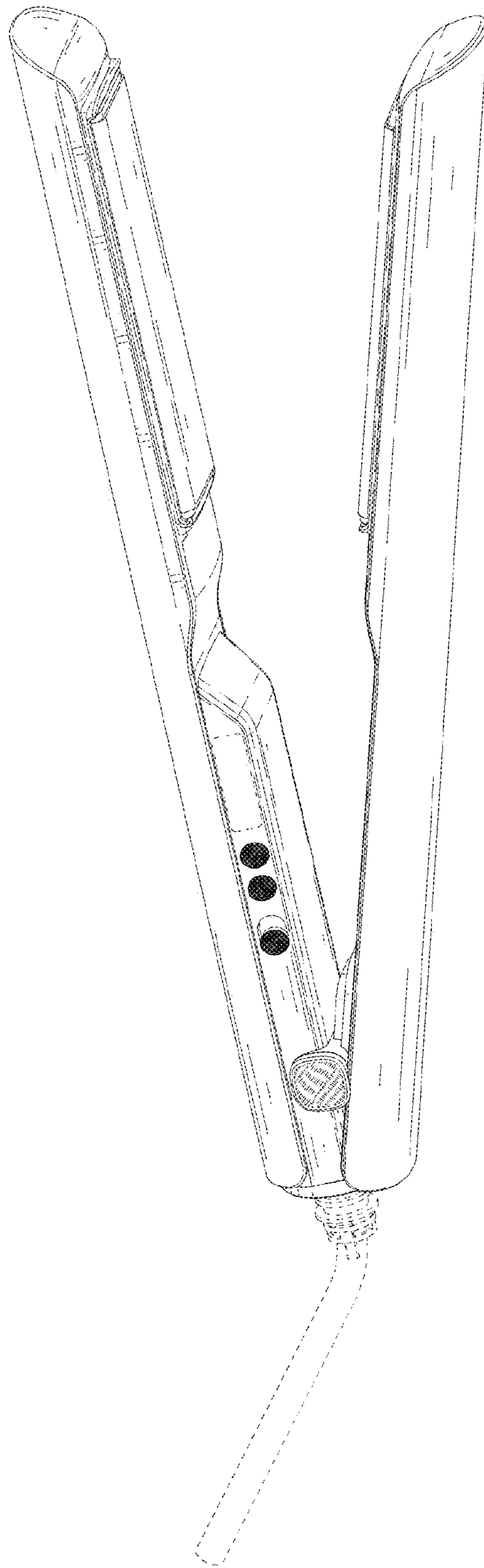


FIG. 9

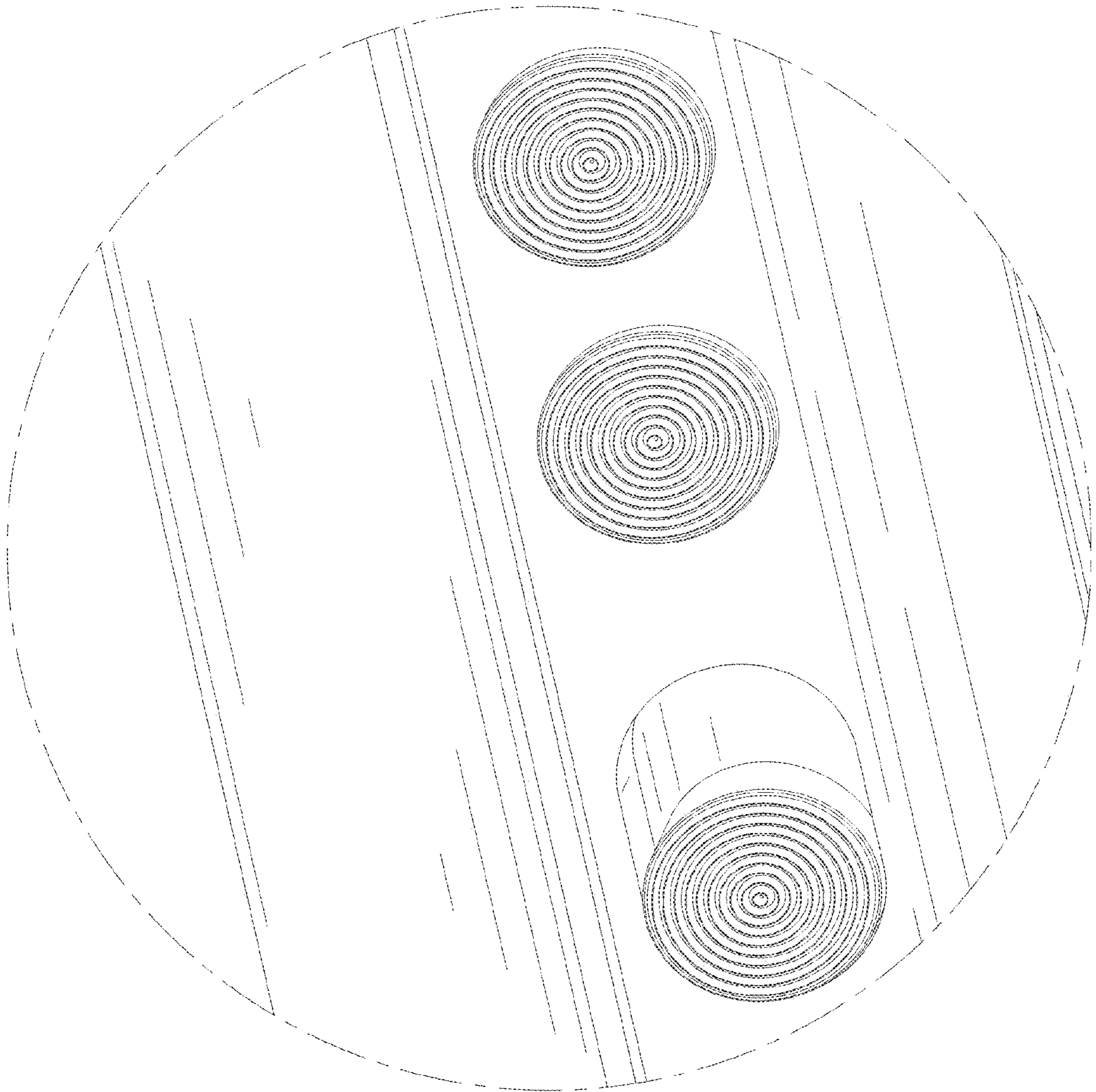


FIG. 10

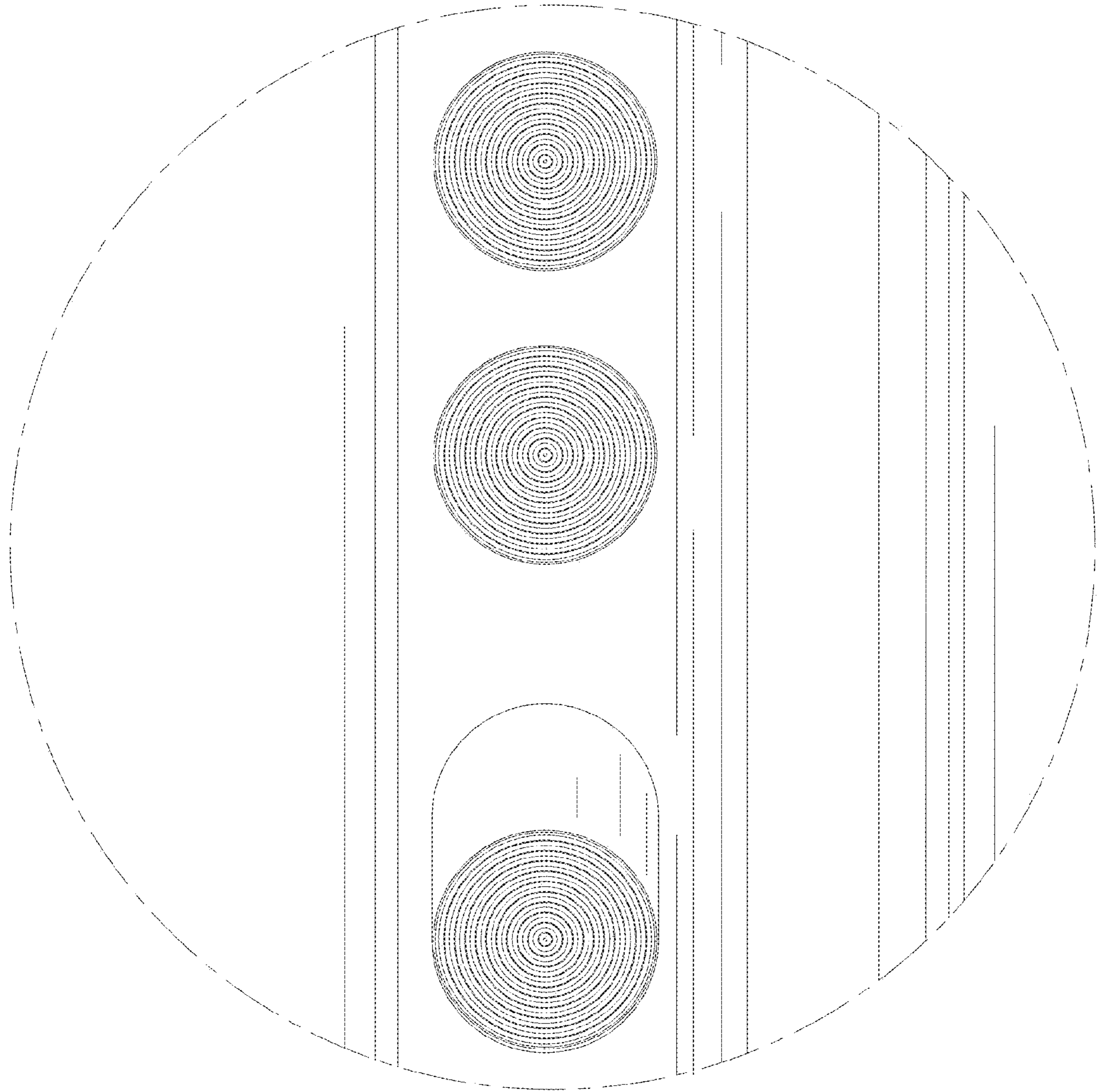


FIG. 11