



US00D975918S

(12) **United States Design Patent**  
**Yuan**

(10) **Patent No.:** **US D975,918 S**  
(45) **Date of Patent:** **\*\* Jan. 17, 2023**

(54) **HOT COMB HAIR STRAIGHTENER**

(71) Applicant: **Yufei Yuan**, Dongguan (CN)

(72) Inventor: **Yufei Yuan**, Dongguan (CN)

(\*\*) Term: **15 Years**

(21) Appl. No.: **29/773,462**

(22) Filed: **Mar. 9, 2021**

(30) **Foreign Application Priority Data**

Dec. 30, 2020 (CN) ..... 202030817774.X

(51) **LOC (14) Cl.** ..... **28-03**

(52) **U.S. Cl.**  
USPC ..... **D28/35; D4/100**

(58) **Field of Classification Search**  
USPC ..... D4/100, 127, 128, 130, 132, 133, 134,  
D4/135, 136, 137, 138, 199; D28/10, 13,  
D28/25, 28, 35, 15, 24  
CPC ..... A45D 20/00; A45D 20/08; A45D 20/50;  
A45D 20/52  
See application file for complete search history.

(56) **References Cited**

**U.S. PATENT DOCUMENTS**

D838,989 S \* 1/2019 Yan ..... D4/100  
D889,129 S \* 7/2020 Janowick ..... D28/35

D895,972 S \* 9/2020 Janowick ..... D28/35  
D901,772 S \* 11/2020 Huang ..... D28/35  
D912,404 S \* 3/2021 Delassus ..... D4/100  
D922,773 S \* 6/2021 Zhou ..... D28/35  
D934,567 S \* 11/2021 Liang ..... D4/134  
D935,186 S \* 11/2021 Wansooriya Mudiyansele .....  
D4/100  
D946,899 S \* 3/2022 Yang ..... D4/100  
D957,055 S \* 7/2022 Zheng ..... D28/35

\* cited by examiner

*Primary Examiner* — Karen E Eldridge Powers

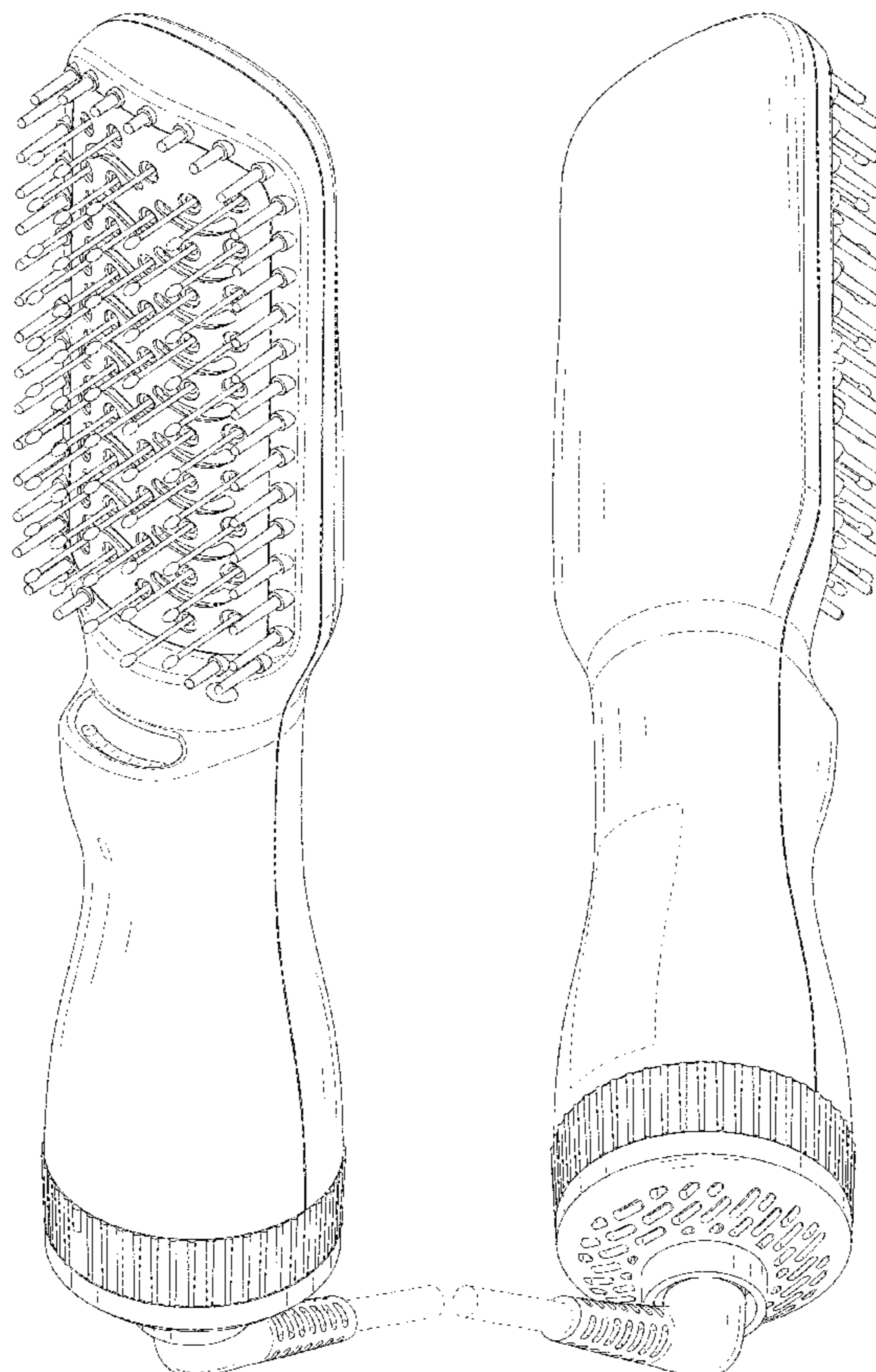
(57) **CLAIM**

The ornamental design for a hot comb hair straightener, as shown and described.

**DESCRIPTION**

FIG. 1 is a top, front and right side perspective view of a hot comb hair straightener showing my new design;  
FIG. 2 is a bottom, rear and left side perspective view thereof;  
FIG. 3 is a front elevational view thereof;  
FIG. 4 is a rear elevational view thereof;  
FIG. 5 is a left side elevational view thereof;  
FIG. 6 is a right side elevational view thereof;  
FIG. 7 is a top plan view thereof; and,  
FIG. 8 is a bottom plan view thereof.  
The broken lines in the drawings depict portions of the hot comb hair straightener that form no part of the claimed design.

**1 Claim, 8 Drawing Sheets**



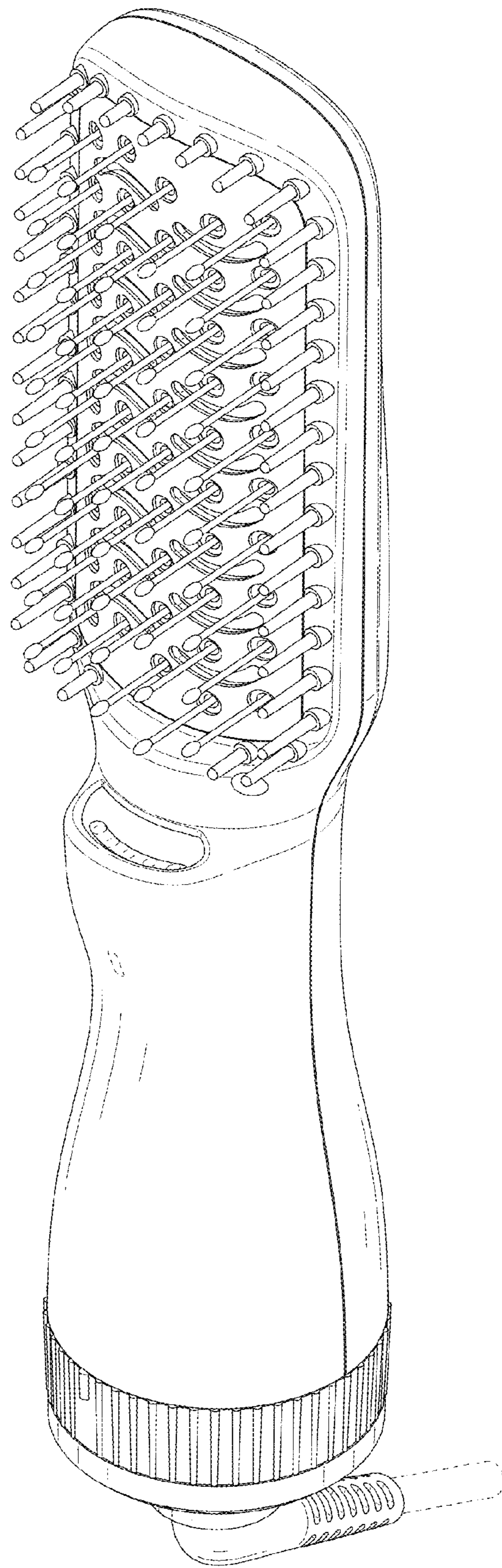


FIG. 1

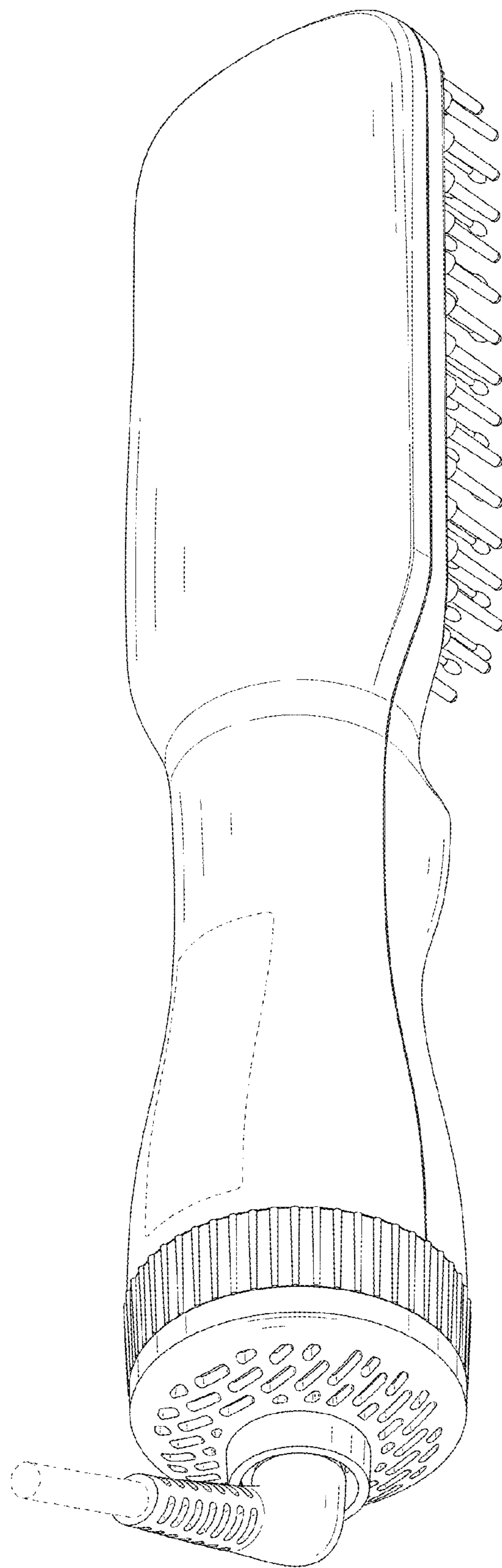


FIG. 2

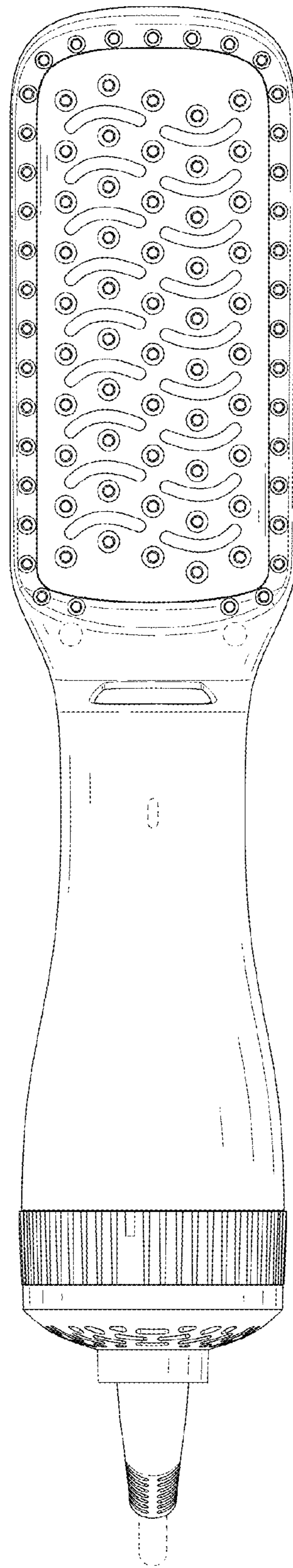


FIG. 3

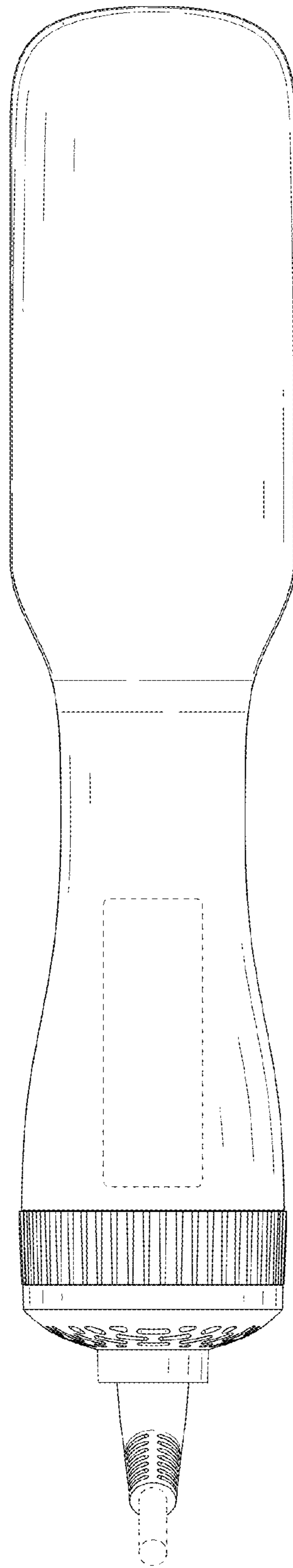


FIG. 4

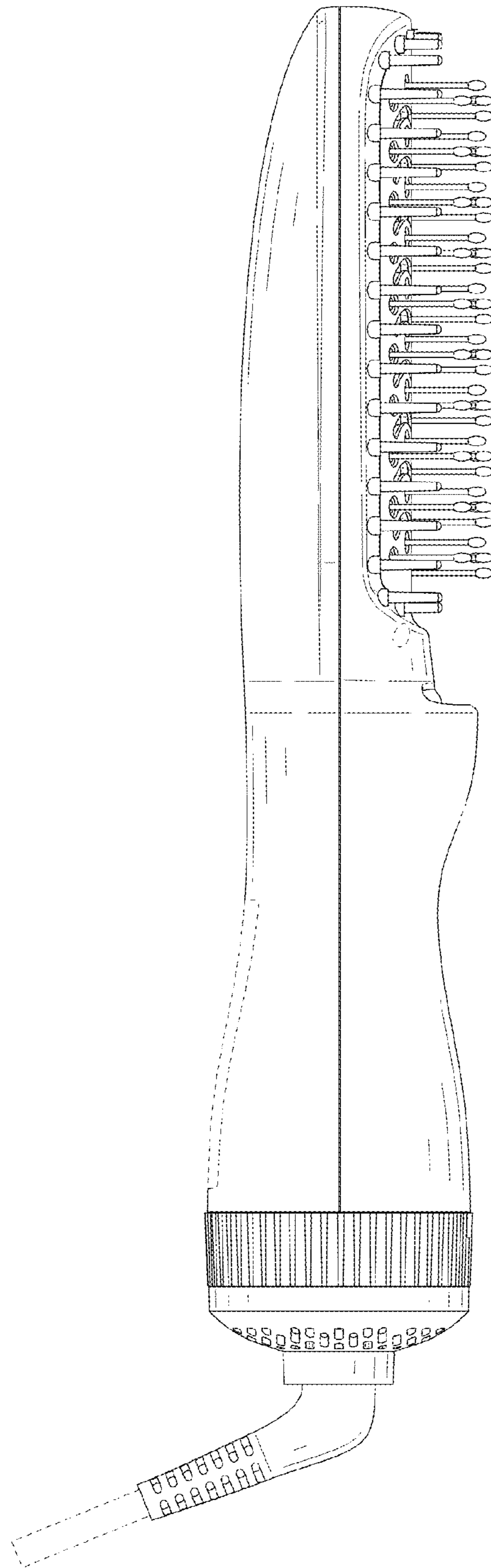


FIG. 5

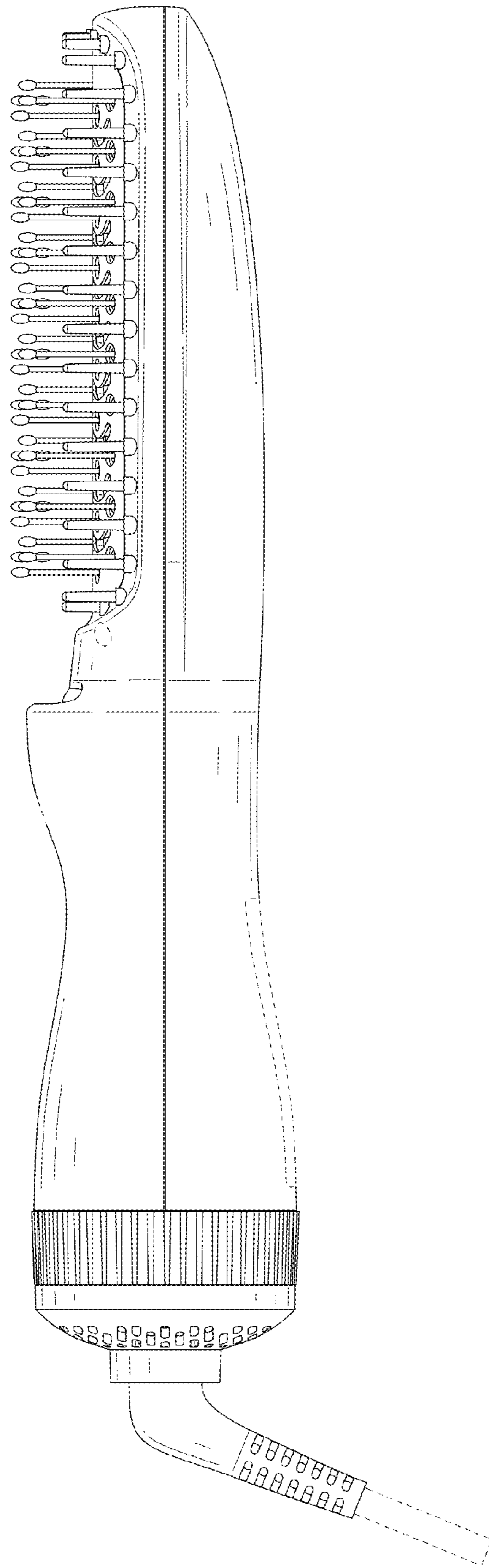


FIG. 6

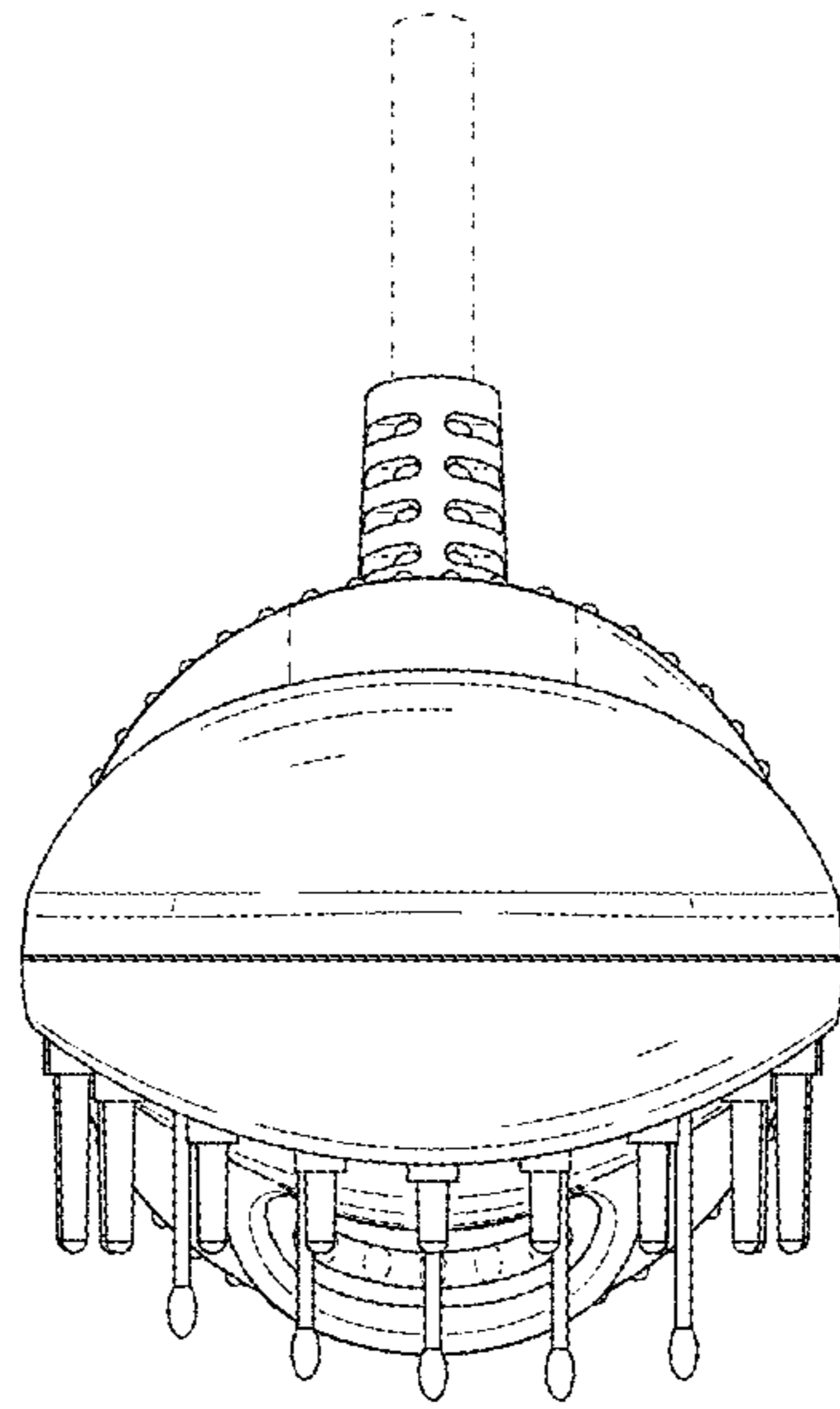


FIG. 7



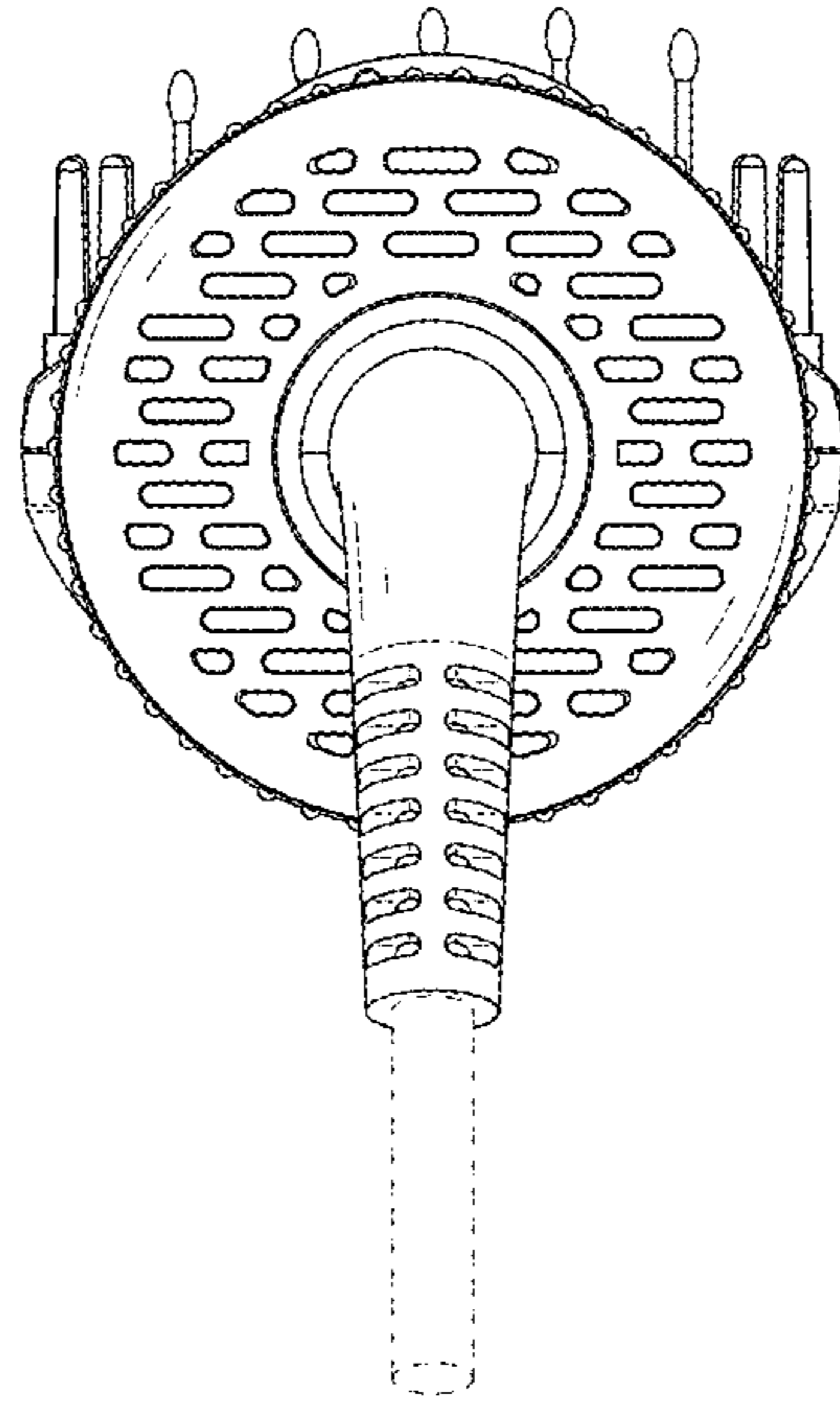


FIG. 8