



US00D975917S

(12) **United States Design Patent** (10) **Patent No.:** **US D975,917 S**  
**Whited et al.** (45) **Date of Patent:** **\*\* Jan. 17, 2023**

(54) **HAIRDRESSER PLATFORM**  
(71) Applicants: **Willis Whited**, Alpine, TN (US);  
**Deborah Sallemi**, Smyrna, TN (US)  
(72) Inventors: **Willis Whited**, Alpine, TN (US);  
**Deborah Sallemi**, Smyrna, TN (US)

D637,439 S \* 5/2011 Mettler ..... D6/601  
D703,454 S \* 4/2014 Lisowski ..... D6/349  
D764,189 S \* 8/2016 Edwards ..... D6/349  
10,060,185 B2 8/2018 Kinkade  
D846,293 S 4/2019 Love  
D873,040 S \* 1/2020 Gupta ..... D6/349  
D904,047 S \* 12/2020 Stroikov ..... D6/349  
D938,744 S \* 12/2021 Liu ..... D6/349

(\*\*) Term: **15 Years**

**OTHER PUBLICATIONS**

(21) Appl. No.: **29/722,290**

SSLIne 1" Thick Salon Mat Anti-Fatigue Barber Chair Mat [online],  
[site visited Jul. 11, 2022]. Available from internet, URL: <https://  
www.amazon.com/SSLIne-Anti-Fatigue-Barber-Comfort-Stylist/dp/  
B07VGVL66C> (Year: 2019).\*

(22) Filed: **Jan. 28, 2020**

(51) **LOC (14) Cl.** ..... **28-03**

(52) **U.S. Cl.**  
USPC ..... **D28/9**; D6/349

\* cited by examiner

(58) **Field of Classification Search**  
USPC ..... D28/9, 10, 44, 99; D6/329, 330, 336,  
D6/349, 384, 653, 653.1, 681.1, 573;  
D25/62-65, 68, 69  
CPC ..... A47C 9/00; A47C 11/00; A47C 12/00;  
A47C 13/00; A47C 16/00; A47C 16/02;  
A47K 17/02  
See application file for complete search history.

*Primary Examiner* — Cynthia Ramirez  
*Assistant Examiner* — Xavier Marti-Santos  
(74) *Attorney, Agent, or Firm* — Cramer Patent & Design,  
PLLC; Aaron R. Cramer

(57) **CLAIM**

The ornamental design for a hairdresser platform, as shown  
and described.

(56) **References Cited**

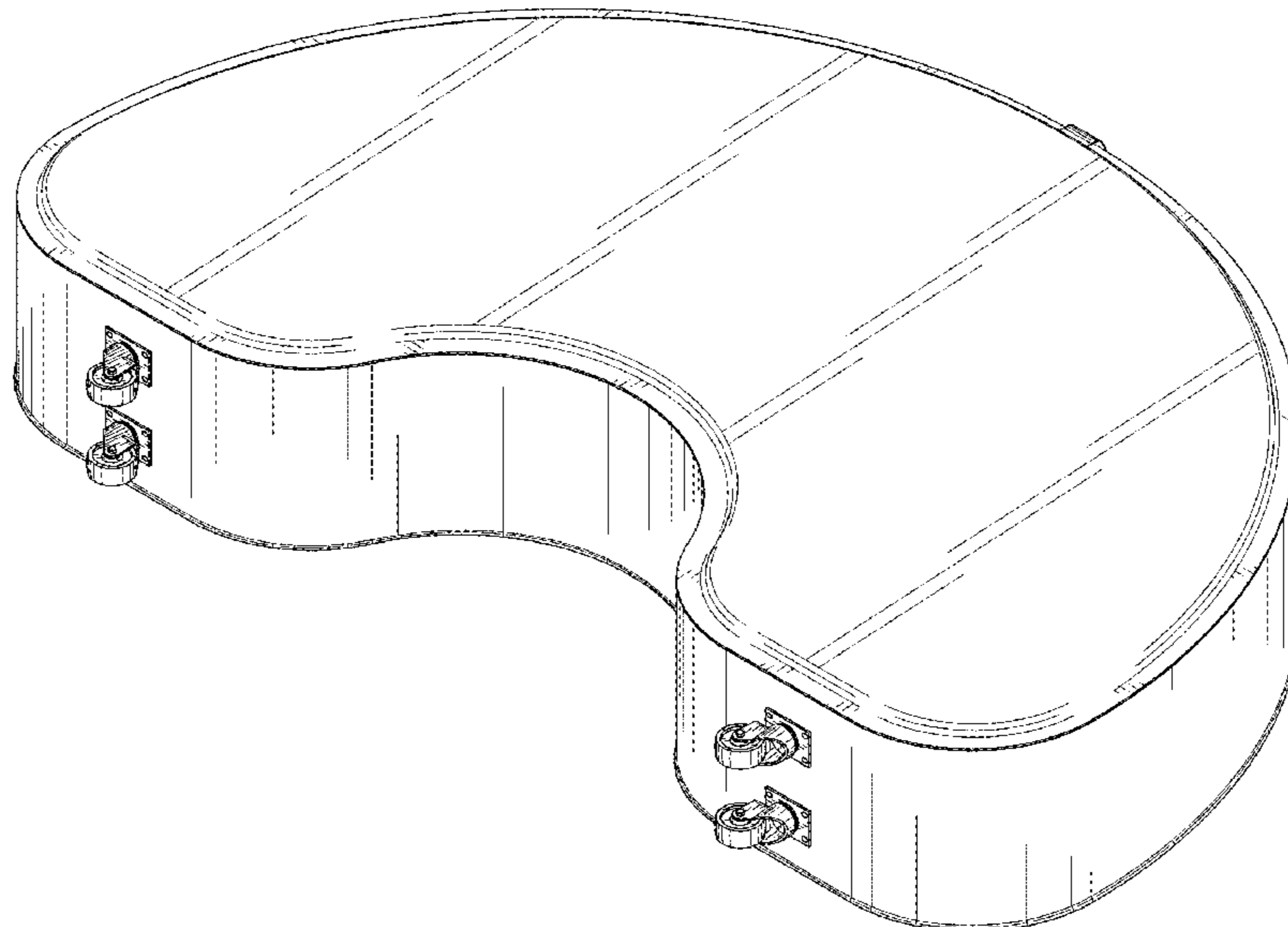
**DESCRIPTION**

**U.S. PATENT DOCUMENTS**

D30,552 S \* 4/1899 Gimbel ..... D6/330  
1,505,558 A 8/1924 Grabowski  
2,023,901 A 12/1935 Rhodes  
2,851,697 A 9/1958 Dubay et al.  
D198,076 S 4/1964 Sgroi  
D240,769 S \* 7/1976 Bowman ..... D28/9  
4,244,064 A 1/1981 Parr  
D268,796 S \* 5/1983 Kola ..... D6/349  
D273,915 S \* 5/1984 Pike ..... D6/601  
D297,789 S \* 9/1988 Stepien ..... D6/349  
D318,575 S 7/1991 Applebaum  
D327,718 S \* 7/1992 Kofler ..... D6/349  
5,529,374 A 6/1996 Winberly, Jr.  
D465,610 S 11/2002 Graham et al.  
D509,289 S \* 9/2005 Palazzolo ..... D6/349

FIG. 1 is a perspective top front right view of a hairdresser  
platform, showing our new design;  
FIG. 2 is a perspective top rear left view thereof;  
FIG. 3 is a front elevation view thereof;  
FIG. 4 is a rear elevation view thereof;  
FIG. 5 is a left elevation view thereof;  
FIG. 6 is a right elevation view thereof;  
FIG. 7 is a top plan view thereof; and,  
FIG. 8 is a bottom plan view thereof.  
The broken lines in the figures are for the purpose of  
illustrating portions of the hairdresser platform, which form  
no part of the claimed design.

**1 Claim, 6 Drawing Sheets**



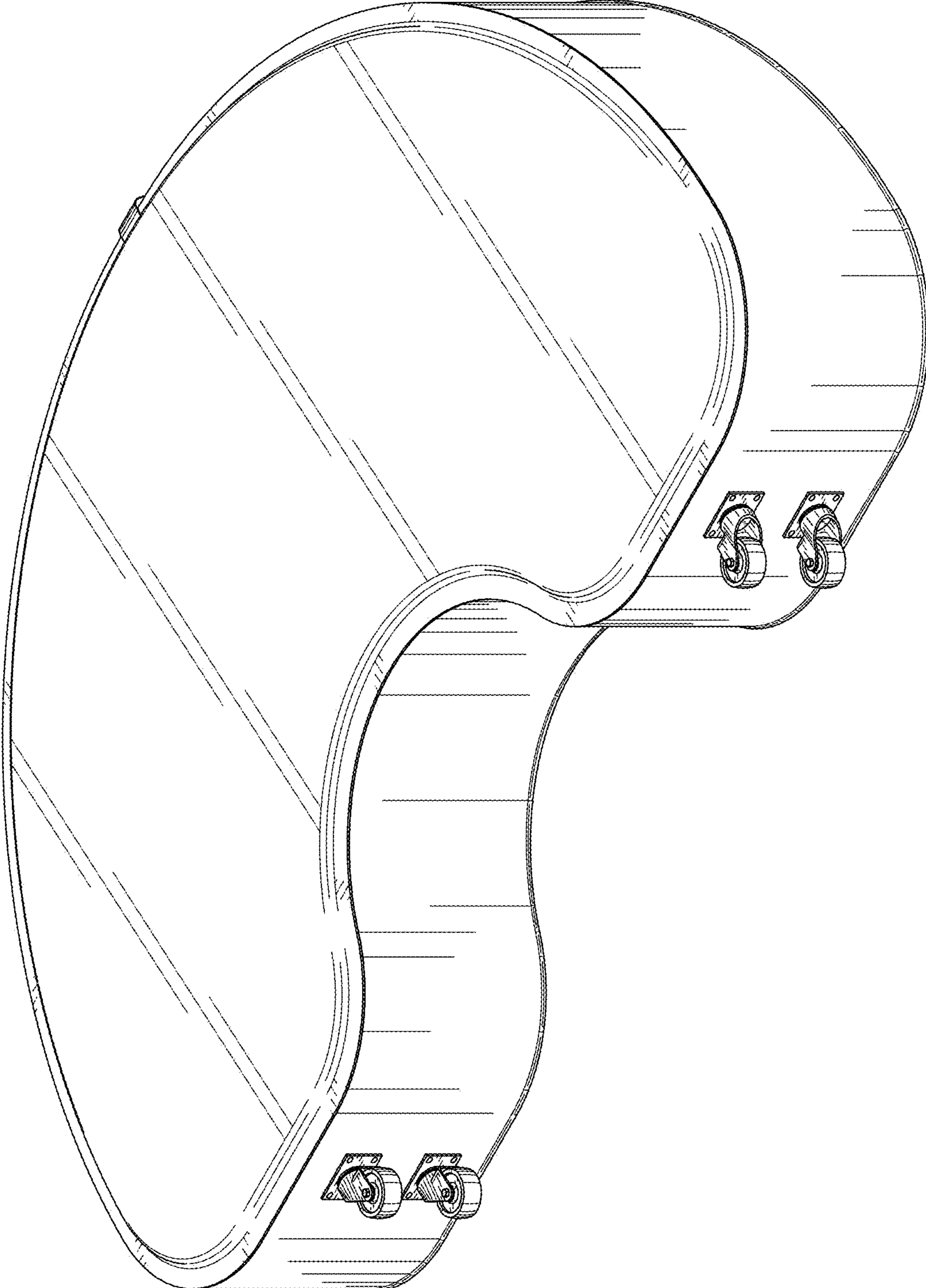


FIG. 1

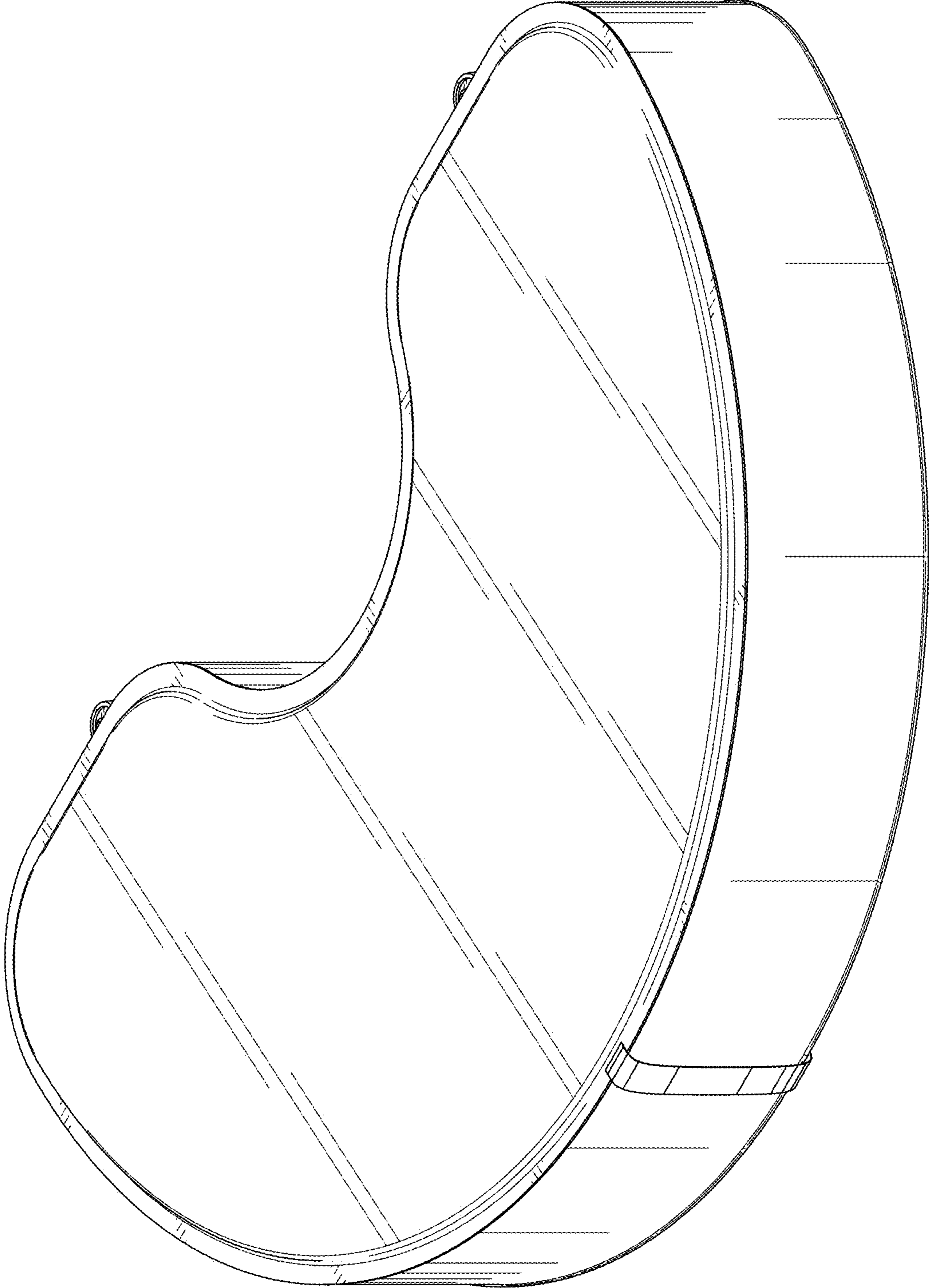


FIG. 2



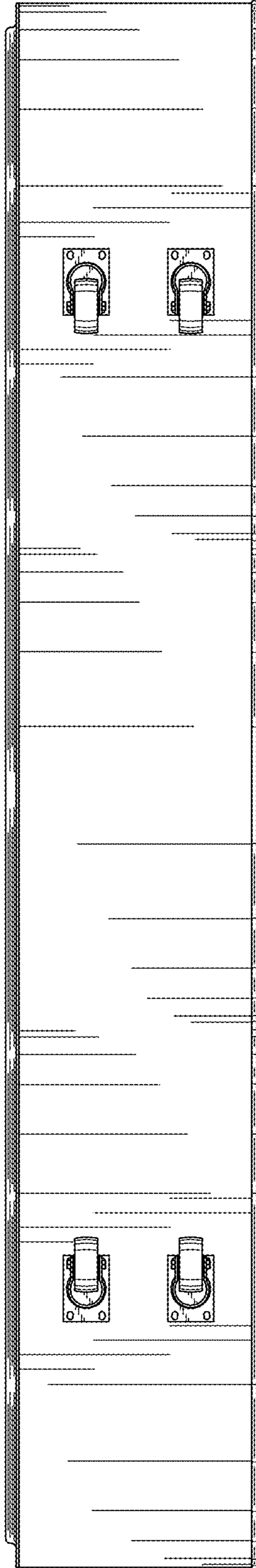


FIG. 3

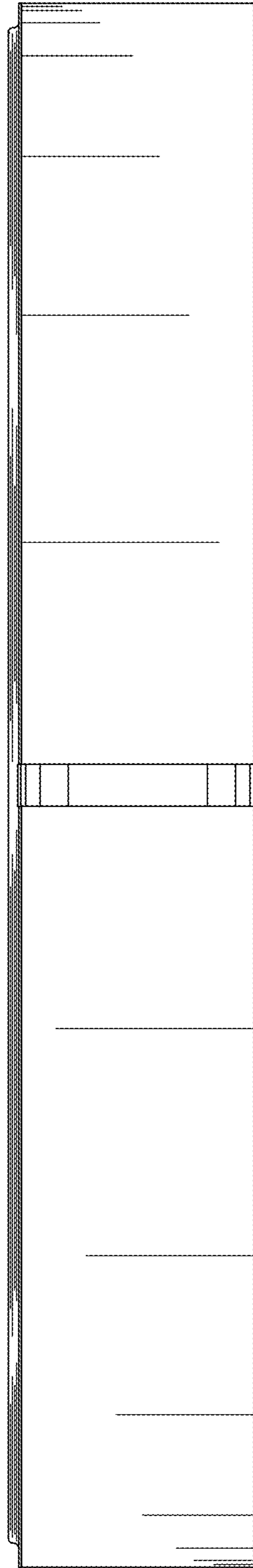


FIG. 4

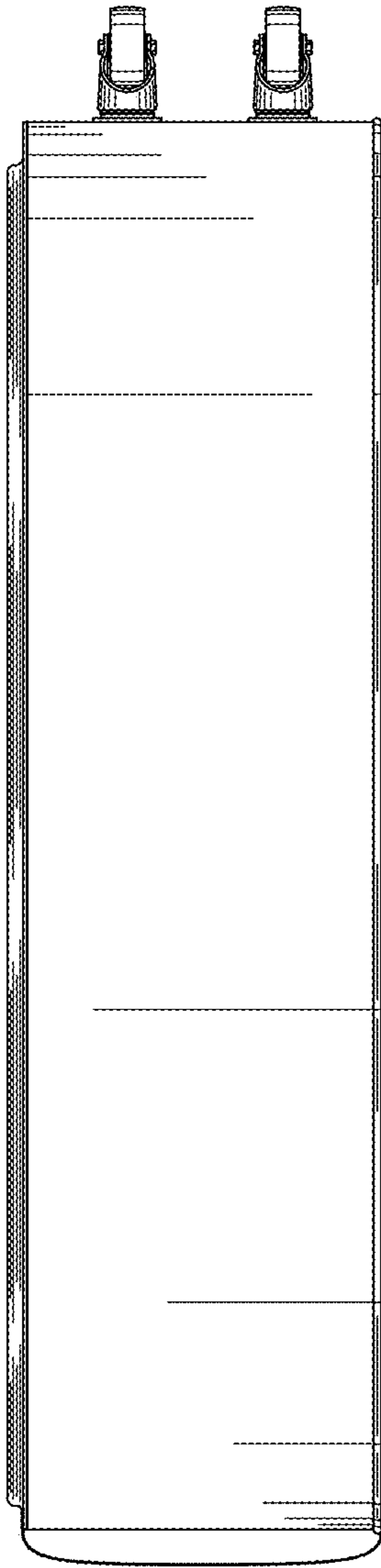


FIG. 5

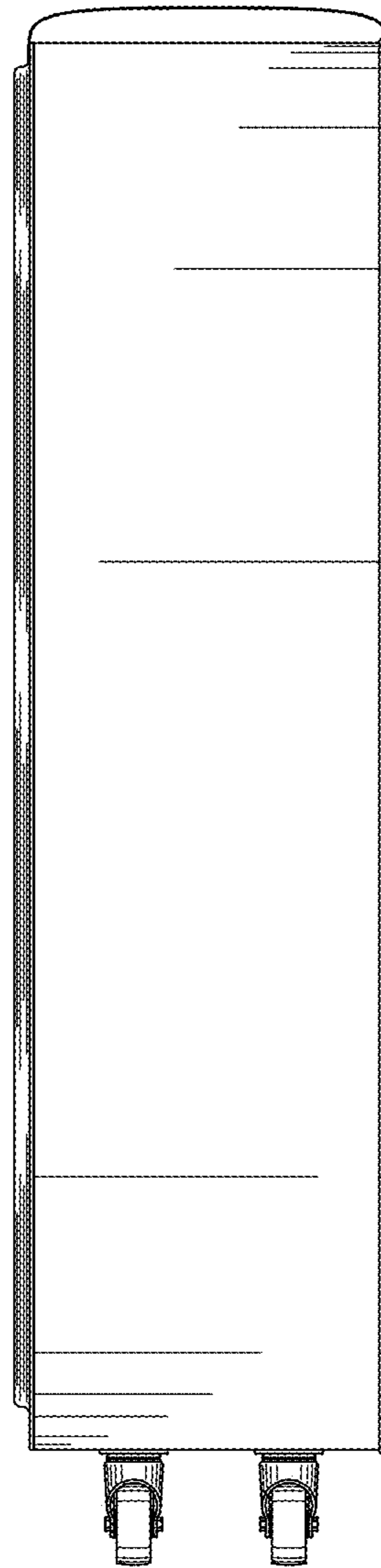


FIG. 6

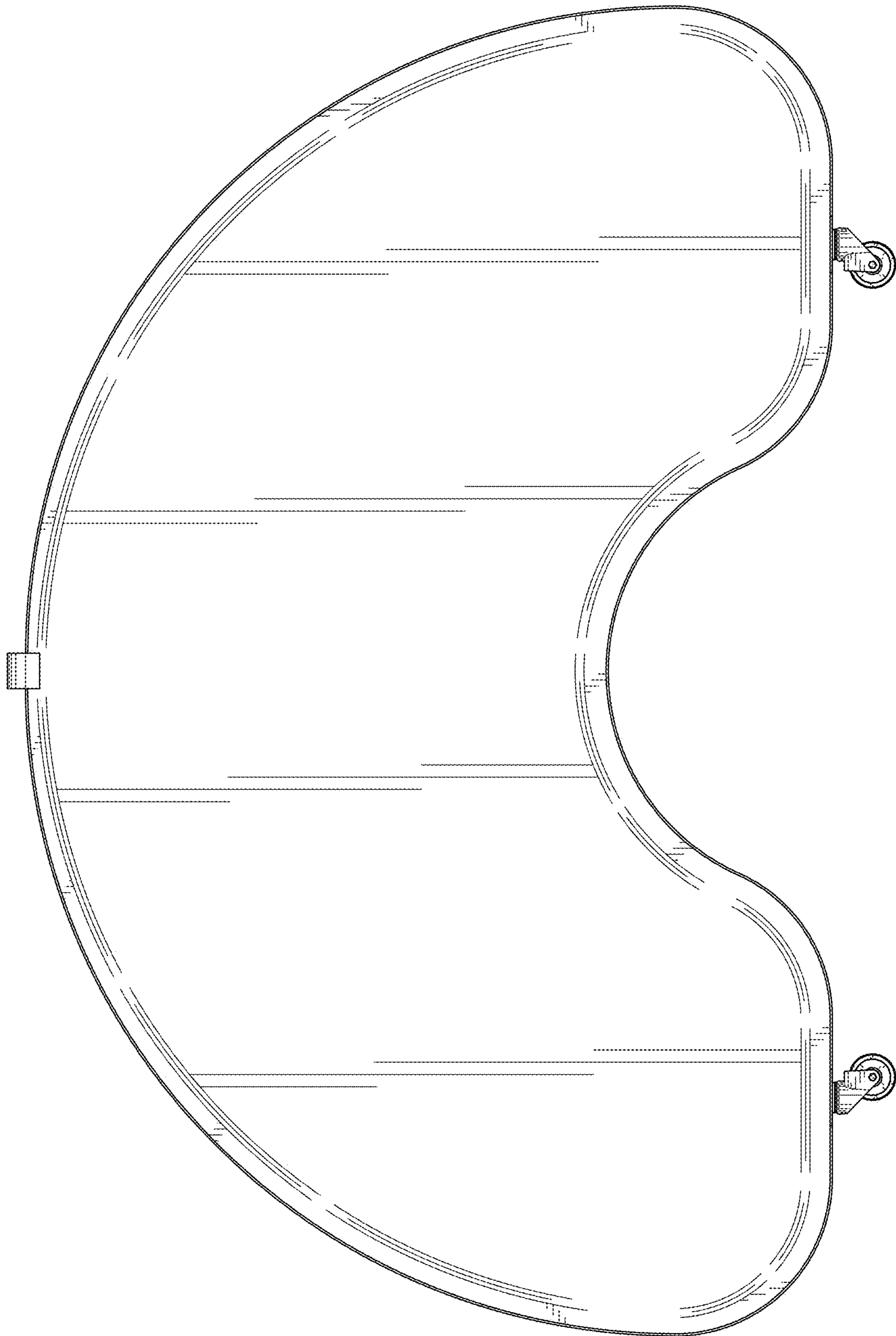


FIG. 7

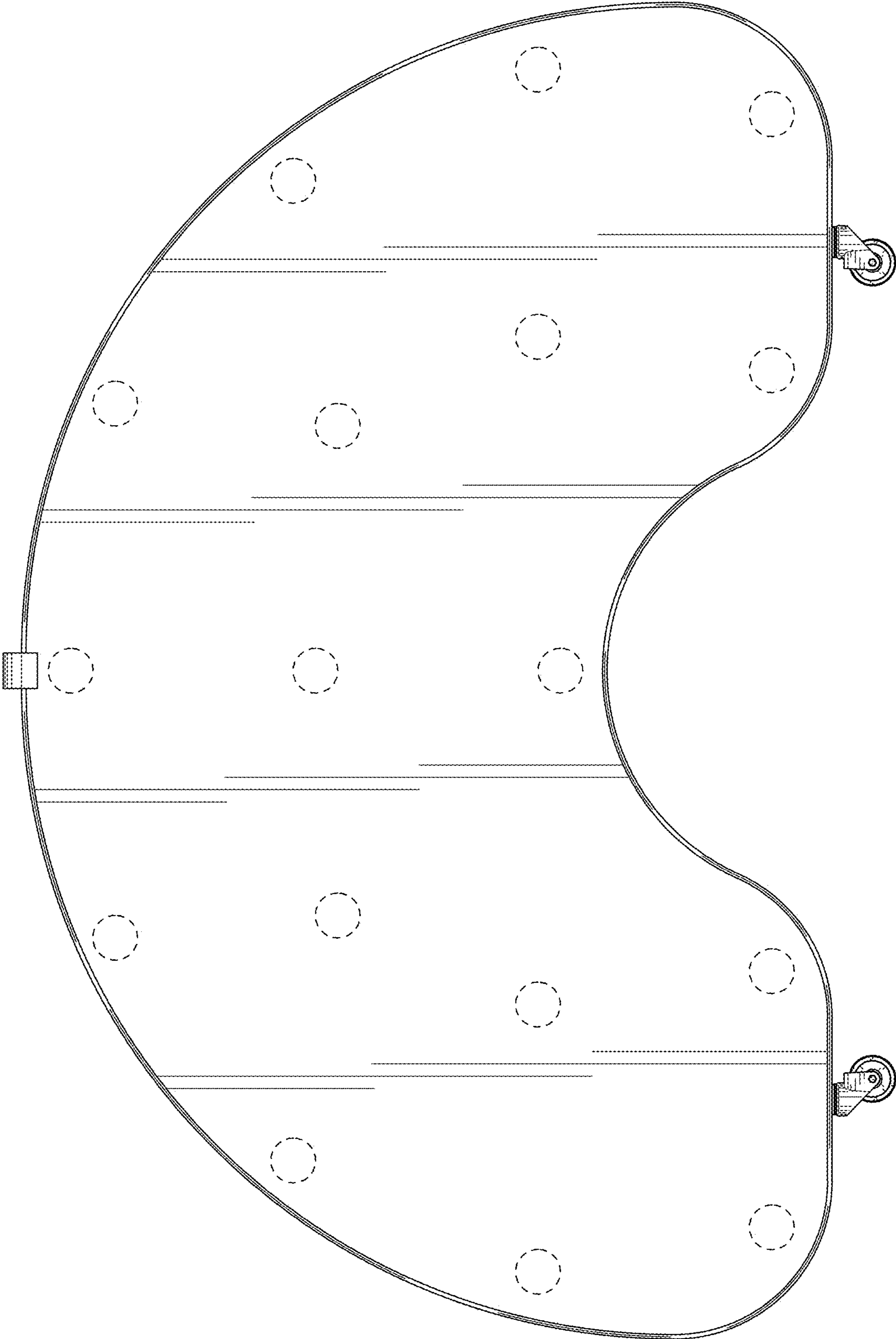


FIG. 8