



US00D975914S

(12) **United States Design Patent**  
**Lung**

(10) **Patent No.:** **US D975,914 S**  
(45) **Date of Patent:** **\*\* Jan. 17, 2023**

- (54) **ELECTRONIC CIGARETTE**
- (71) Applicant: **Rabbitvault Corp.**, Porter Ranch, CA (US)
- (72) Inventor: **Alex Lung**, Diamond Bar, CA (US)
- (\*\*) Term: **15 Years**
- (21) Appl. No.: **29/797,220**
- (22) Filed: **Jun. 29, 2021**
- (51) **LOC (14) Cl.** ..... **27-02**
- (52) **U.S. Cl.**  
USPC ..... **D27/162**
- (58) **Field of Classification Search**  
USPC ..... D27/101, 100, 162–169, 172, 180–183,  
D27/185–194; D24/110, 110.5;  
D13/107; D23/360  
CPC ..... A24F 1/30; A24F 1/02; A24F 1/00; A24F  
47/008; A24F 47/002  
See application file for complete search history.

- D949,465 S \* 4/2022 Hermiz ..... D27/162
- D949,468 S \* 4/2022 Michaud ..... D27/162
- D953,623 S \* 5/2022 Liu ..... D27/162
- D953,624 S \* 5/2022 Liao ..... D27/162
- D957,728 S \* 7/2022 Tang ..... D27/162
- D962,536 S \* 8/2022 Bowen ..... D27/162

**OTHER PUBLICATIONS**

Vape Device By: JUUL found on Amazon (Nov. 2, 2022) [https://www.amazon.com/Design-Skinz-Gemstone-Resistant-Compatible/dp/B08NMNH5TZ/ref=sr\\_1\\_1?crd=2RB00QL2GV02D&keywords=\(Jul. 6, 2021\).](https://www.amazon.com/Design-Skinz-Gemstone-Resistant-Compatible/dp/B08NMNH5TZ/ref=sr_1_1?crd=2RB00QL2GV02D&keywords=(Jul. 6, 2021).)\*

\* cited by examiner

*Primary Examiner* — Rebecca Tsehaye  
(74) *Attorney, Agent, or Firm* — Tommy S F Wang;  
Wang IP Law Group, P.C.

(57) **CLAIM**

The ornamental design for an electronic cigarette, as shown and described.

**DESCRIPTION**

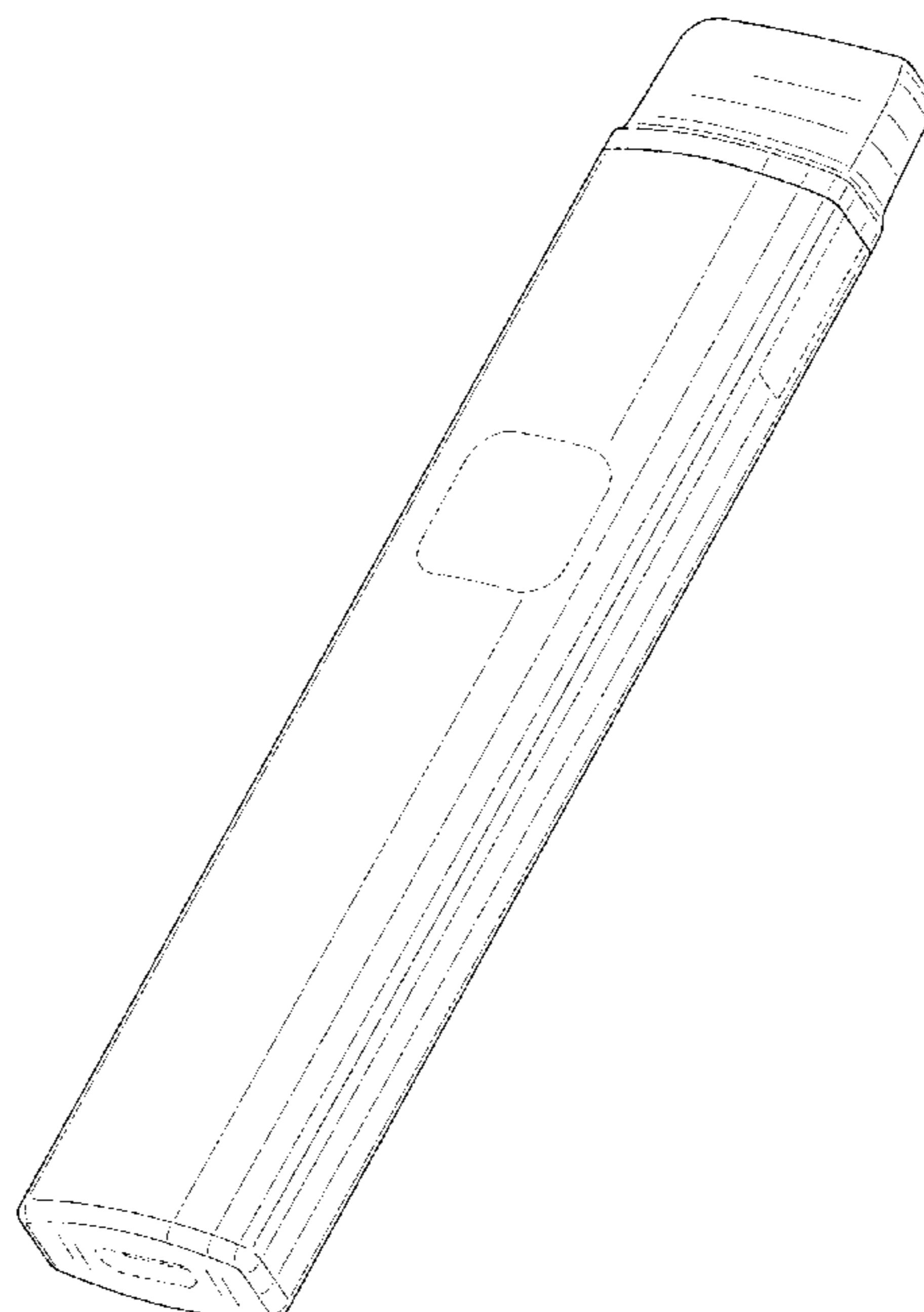
FIG. 1 is a perspective view of an electronic cigarette showing my new design;  
FIG. 2 is a front view thereof;  
FIG. 3 is a rear view thereof;  
FIG. 4 is a left side view thereof;  
FIG. 5 is a right side view thereof;  
FIG. 6 is a top view thereof; and,  
FIG. 7 is a bottom view thereof.  
The broken line portions of the electronic cigarette in FIGS. 1-7 represent unclaimed portions of the claimed design and form no part thereof.

**1 Claim, 4 Drawing Sheets**

(56) **References Cited**

**U.S. PATENT DOCUMENTS**

- D832,500 S \* 10/2018 Qiu ..... D27/162
- D870,372 S \* 12/2019 Zhu ..... D27/167
- D881,457 S \* 4/2020 Ouyang ..... D27/162
- D885,655 S \* 5/2020 Ding ..... D27/162
- D902,474 S \* 11/2020 Chen ..... D27/101
- D903,937 S \* 12/2020 Chimbuya ..... D27/162
- D903,938 S \* 12/2020 Chimbuya ..... D27/162
- D908,952 S \* 1/2021 Guo ..... D27/101
- D910,910 S \* 2/2021 Yang ..... D27/162
- D919,881 S \* 5/2021 Carlberg ..... D27/162
- D929,036 S \* 8/2021 Leon Duque ..... D27/194
- D937,474 S \* 11/2021 Qiu ..... D27/162
- D938,644 S \* 12/2021 Shin ..... D27/162
- D943,172 S \* 2/2022 Li ..... D27/162
- D948,782 S \* 4/2022 Zhang ..... D27/162



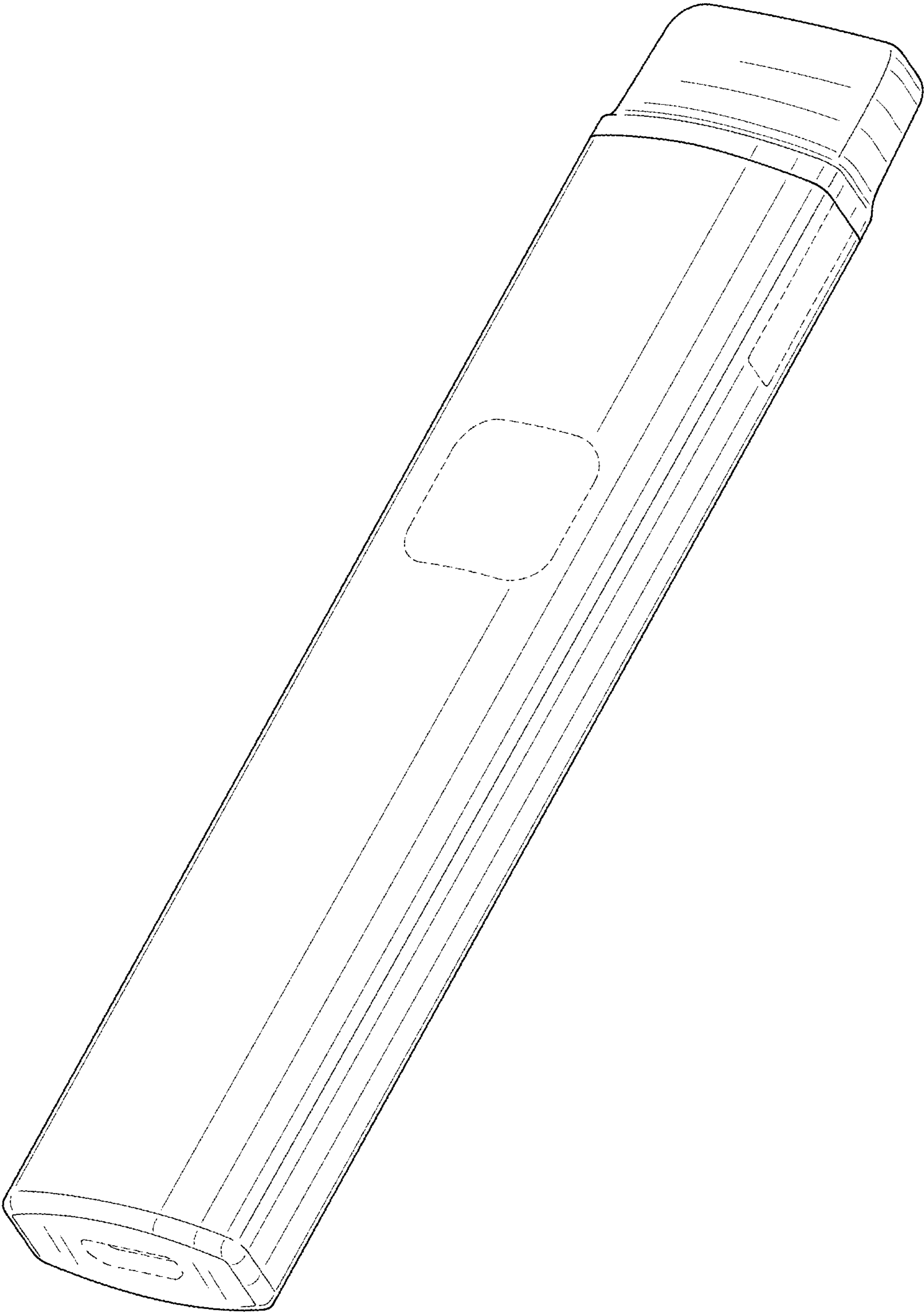


FIG. 1

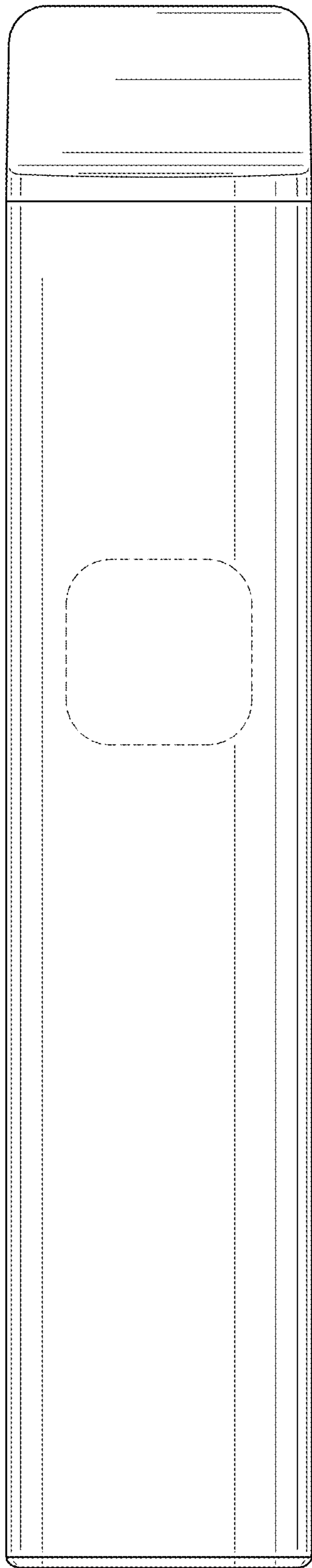


FIG. 2

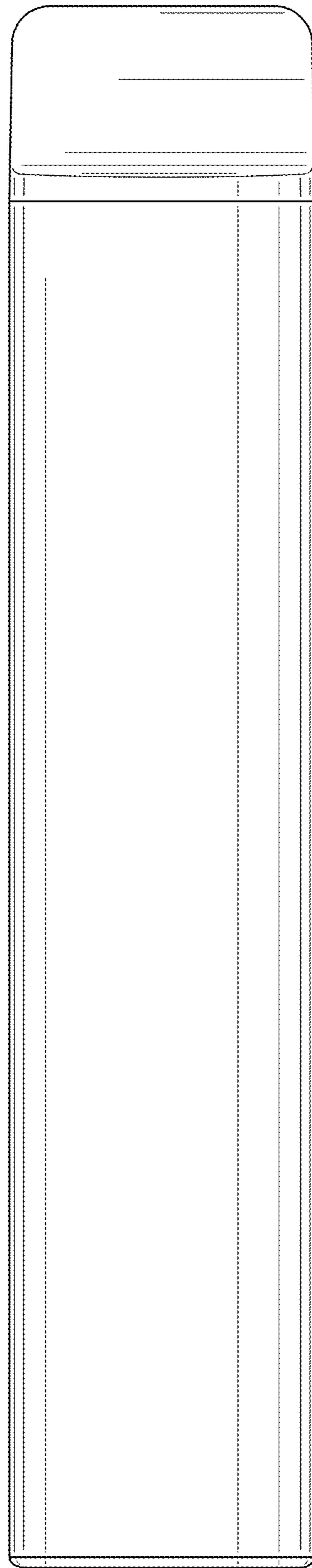


FIG. 3

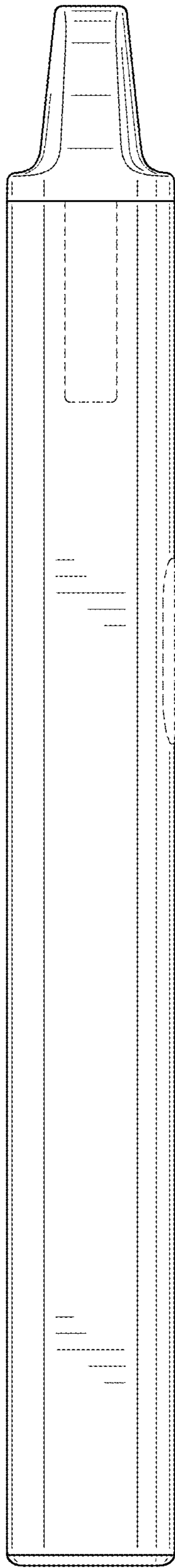


FIG. 4

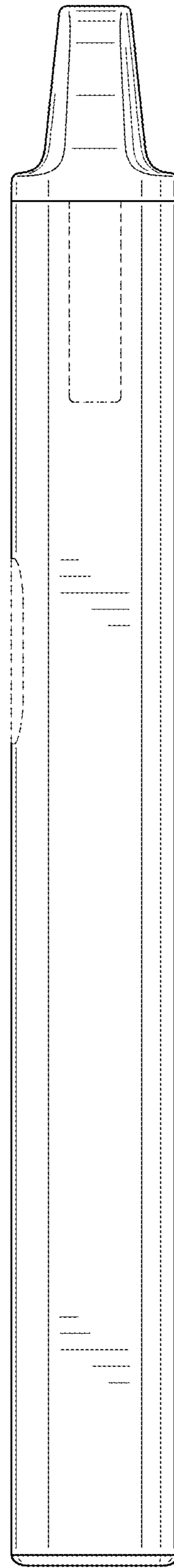


FIG. 5

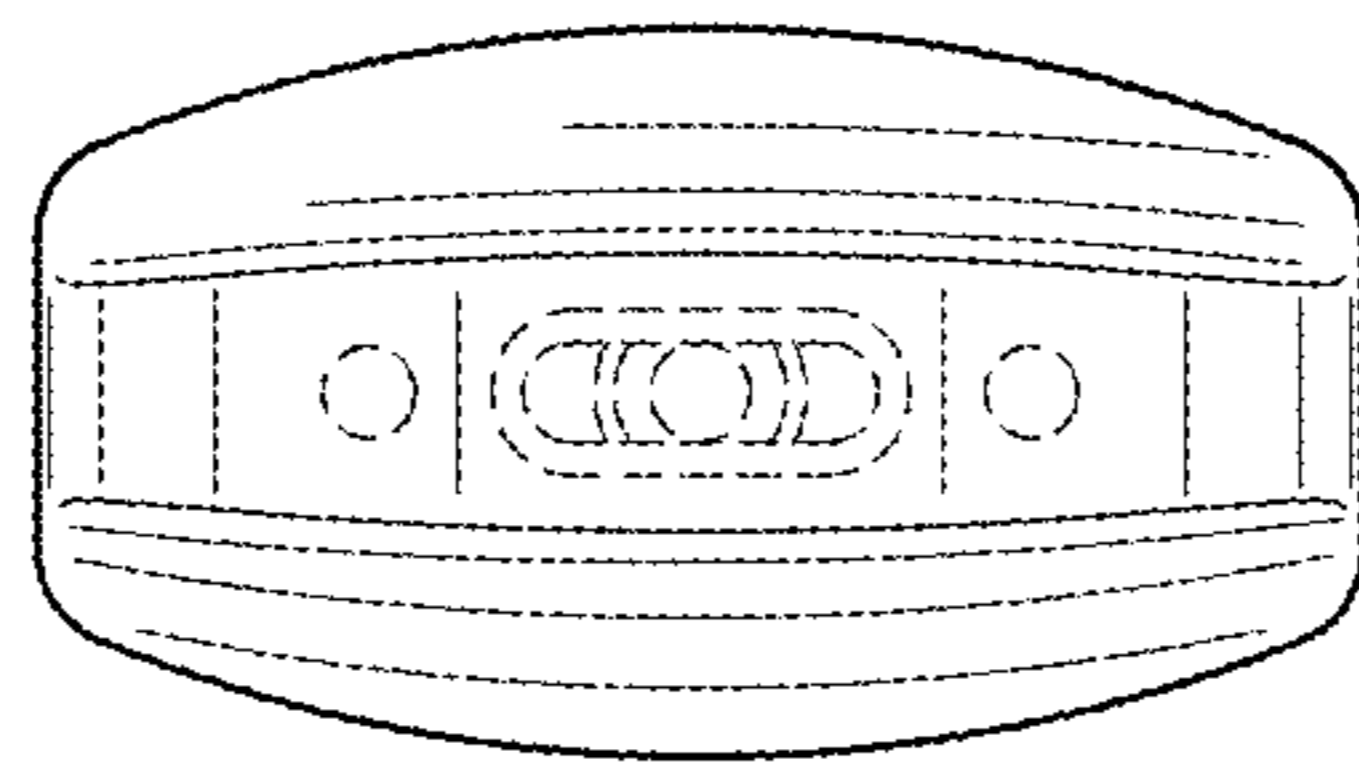


FIG. 6

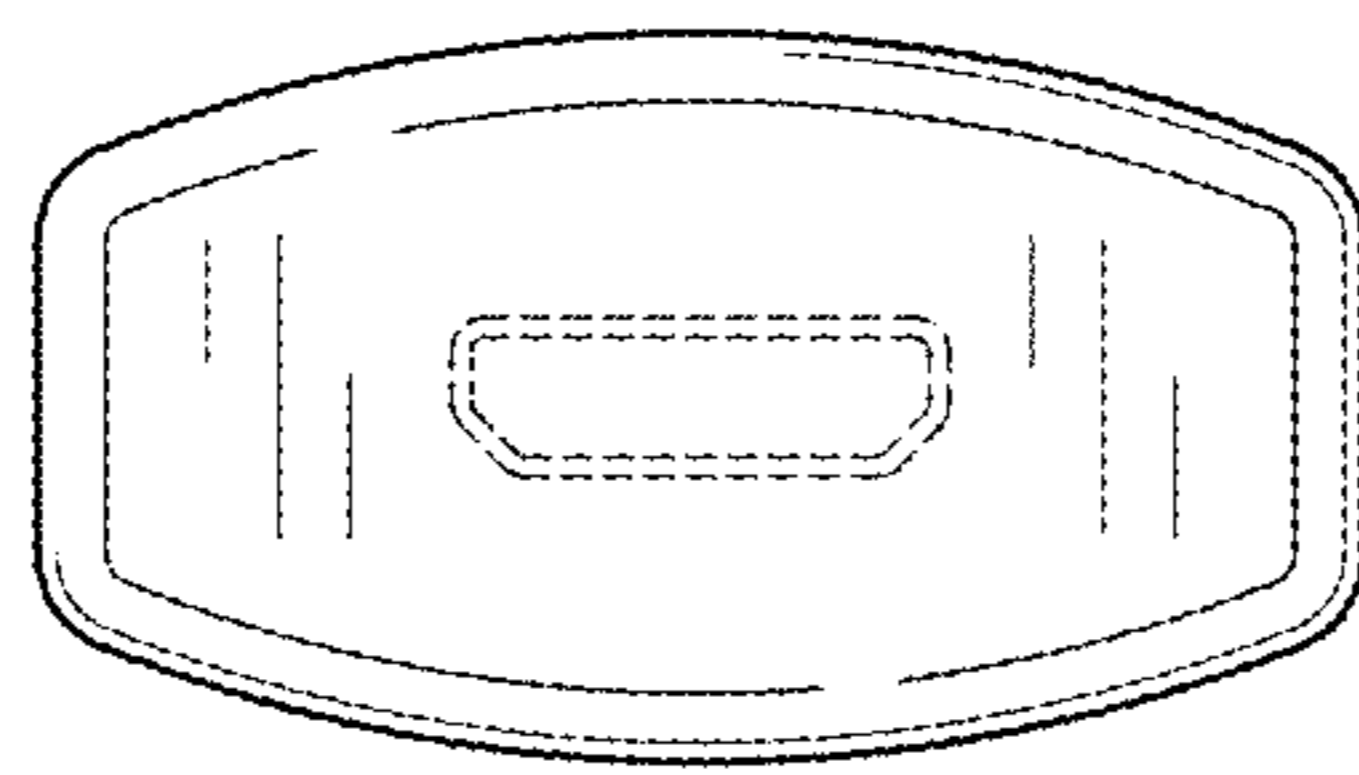


FIG. 7