

US00D975907S

(12) **United States Design Patent**
Huang

(10) **Patent No.:** **US D975,907 S**
(45) **Date of Patent:** **** Jan. 17, 2023**

(54) **LAMP**

(71) Applicant: **Wenjuan Huang**, Zhanjiang (CN)

(72) Inventor: **Wenjuan Huang**, Zhanjiang (CN)

(**) Term: **15 Years**

(21) Appl. No.: **29/805,065**

(22) Filed: **Aug. 24, 2021**

(51) **LOC (14) Cl.** **26-05**

(52) **U.S. Cl.**
USPC **D26/86; D26/80**

(58) **Field of Classification Search**
USPC D26/24, 60-65, 72-92
CPC F21S 6/003; F21S 6/002; F21S 6/00; F21S
8/00; F21S 10/00; F21S 6/004; F21S
6/006; F21S 6/008; F21V 21/26; F21V
21/14; F21Y 2115/10
See application file for complete search history.

(56) **References Cited**

U.S. PATENT DOCUMENTS

D473,000 S * 4/2003 Hoernig D26/80
D620,175 S * 7/2010 Sabernig D26/86
(Continued)

OTHER PUBLICATIONS

Modern Bathroom Vanity Lighting Fixtures. By Tipace. Dated Aug. 13, 2021. Found online [Oct. 4, 2022]. <https://www.amazon.com/Tipace-Bathroom-Industrial-Stainless-Farmhouse/dp/B09CKP722X> (Year: 2021).*

(Continued)

Primary Examiner — Marissa J Cash
Assistant Examiner — William B Melliar

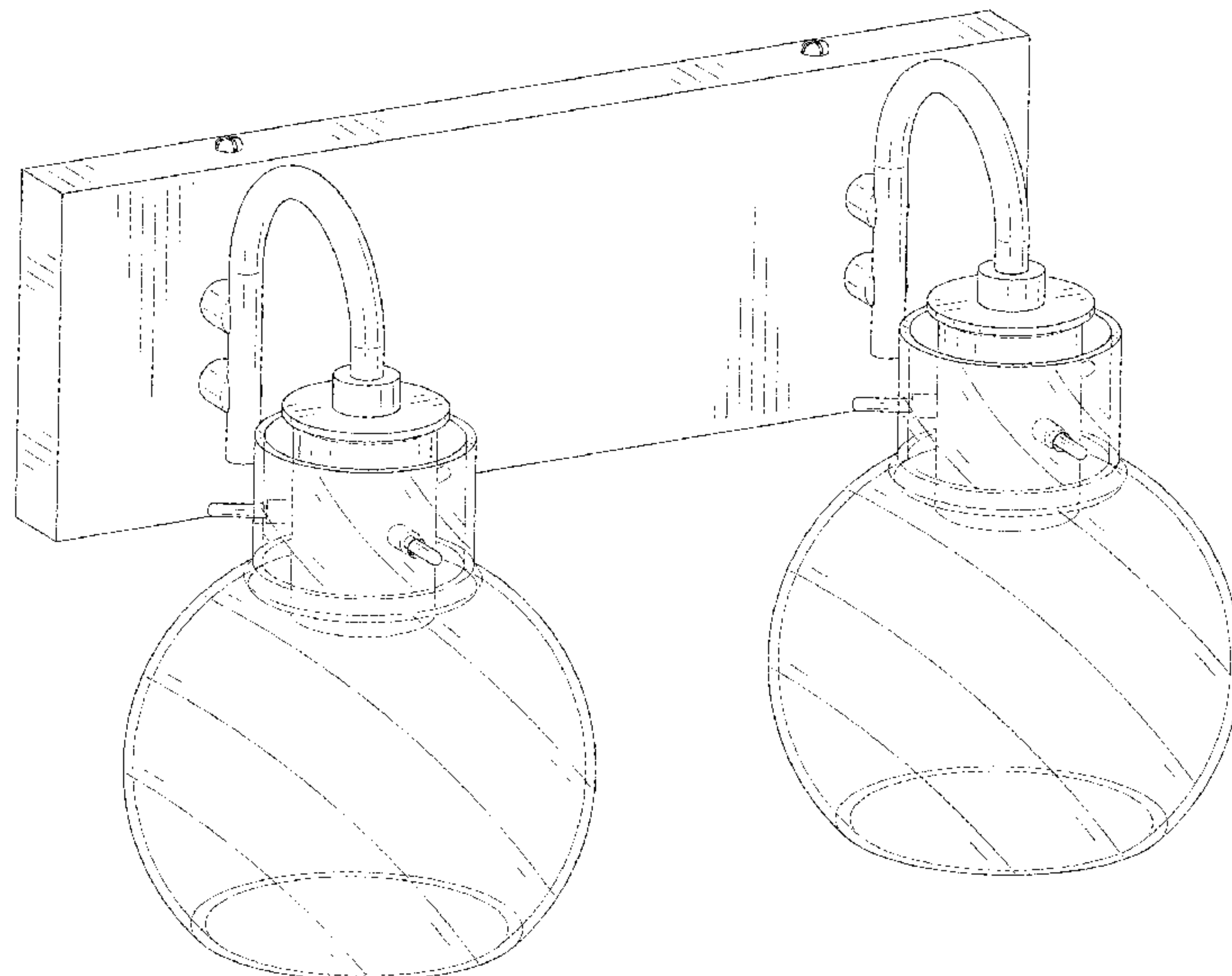
(57) **CLAIM**

The ornamental design for a lamp, as shown and described.

DESCRIPTION

FIG. 1 is a perspective view of a first embodiment of a lamp showing my new design;
FIG. 2 is another perspective view thereof;
FIG. 3 is a front elevational view thereof;
FIG. 4 is a rear elevational view thereof;
FIG. 5 is a left side elevational view thereof;
FIG. 6 is a right side elevational view thereof;
FIG. 7 is a top plan view thereof;
FIG. 8 is a bottom plan view thereof;
FIG. 9 is a perspective view of a second embodiment of the lamp;
FIG. 10 is another perspective view thereof;
FIG. 11 is a front elevational view thereof;
FIG. 12 is a rear elevational view thereof;
FIG. 13 is a left side elevational view thereof;
FIG. 14 is a right side elevational view thereof;
FIG. 15 is a top plan view thereof;
FIG. 16 is a bottom plan view thereof;
FIG. 17 is a perspective view of a third embodiment of the lamp;
FIG. 18 is another perspective view thereof;
FIG. 19 is a front elevational view thereof;
FIG. 20 is a rear elevational view thereof;
FIG. 21 is a left side elevational view thereof;
FIG. 22 is a right side elevational view thereof;
FIG. 23 is a top plan view thereof;
FIG. 24 is a bottom plan view thereof;
FIG. 25 is a perspective view of a fourth embodiment of the lamp;
FIG. 26 is another perspective view thereof;
FIG. 27 is a front elevational view thereof;
FIG. 28 is a rear elevational view thereof;
FIG. 29 is a left side elevational view thereof;
FIG. 30 is a right side elevational view thereof;
FIG. 31 is a top plan view thereof; and,
FIG. 32 is a bottom plan view thereof.
The broken lines in the drawings depict portions of the lamp that form no part of the claimed design.

1 Claim, 32 Drawing Sheets



(56)

References Cited

U.S. PATENT DOCUMENTS

D770,664 S	*	11/2016	Orozco	D26/86
D831,875 S	*	10/2018	Sperling	D26/92
D892,385 S		8/2020	Browning	
D892,386 S		8/2020	Browning	
D922,657 S	*	6/2021	Zheng	D26/86
D923,235 S	*	6/2021	Hu	D26/86
D926,349 S	*	7/2021	Lin	D26/86
D934,484 S	*	10/2021	Ou	D26/80
D950,132 S	*	4/2022	Lin	D26/86
D962,525 S	*	8/2022	Lin	D26/86

OTHER PUBLICATIONS

5 Light Black Vanity Light for Bathroom. By VINLUZ. Dated Feb. 28, 2022. Found online [Oct. 4, 2022]. <https://www.amazon.com/VINLUZ-Bathroom-Farmhouse-Lighting-Fixture/dp/B09Q5KJ1FV> (Year: 2022).*

Gold Vanity Light. By LNC. Dated Nov. 25, 2020. Found online [Oct. 4, 2022]. <https://www.homedepot.com/p/LNC-Gold-Vanity-Light-Bell-3-Light-Brass-Mirror-Wall-Sconce-Powder-Room-Wall-Light-with-Bell-Clear-Glass-Shades-LLMFEEHL13592AU/315954875#overlay> (Year: 2020).*

Golden 3 Globe Glass Vanity Light. By SOLFART. Dated Jan. 22, 2021. Found online [Oct. 4, 2022]. <https://www.amazon.com/SOLFART-Bathroom-Lighting-Fixtures-exclude/dp/B08TQ6M9N7> (Year: 2021).*

Marais 5.88 1 Light Iron Glass Rustic. By Jonathan Y. Dated May 14, 2020. Found online [Oct. 4, 2022]. <https://www.amazon.com/JONATHAN-JYL3526A-Industrial-Livingroom-Bathroom/dp/B0892Q466F> (Year: 2020).*

* cited by examiner

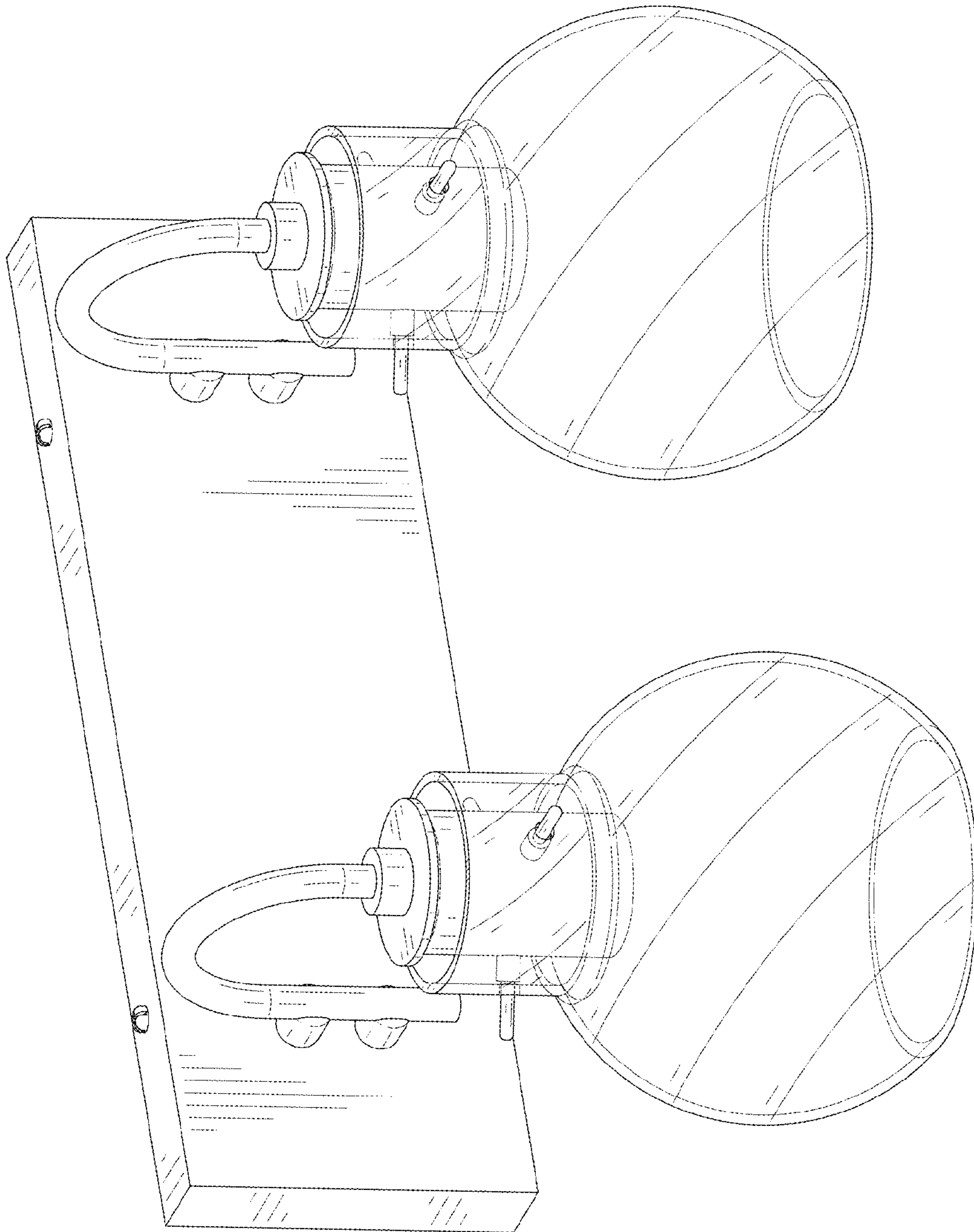


FIG. 1

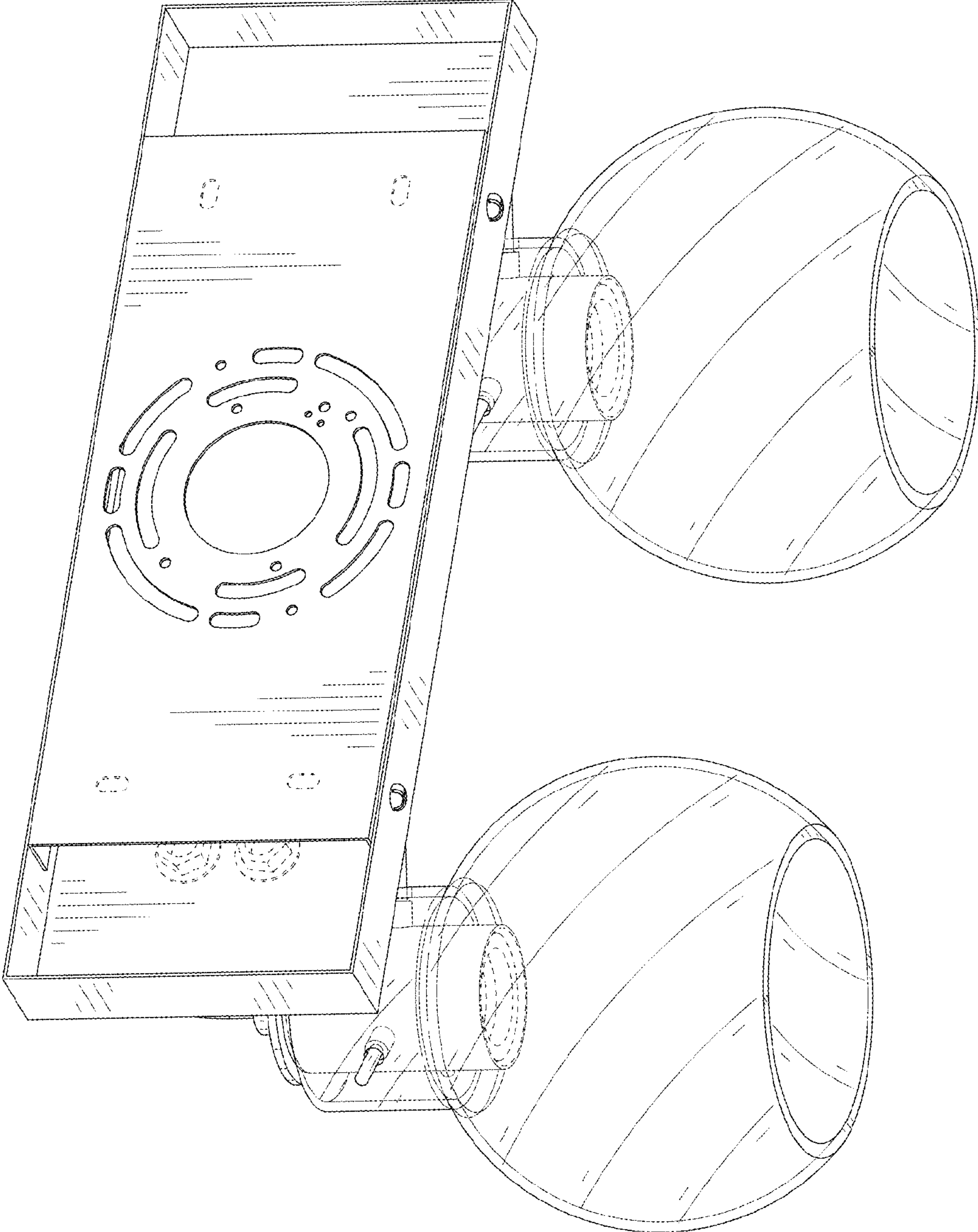


FIG. 2

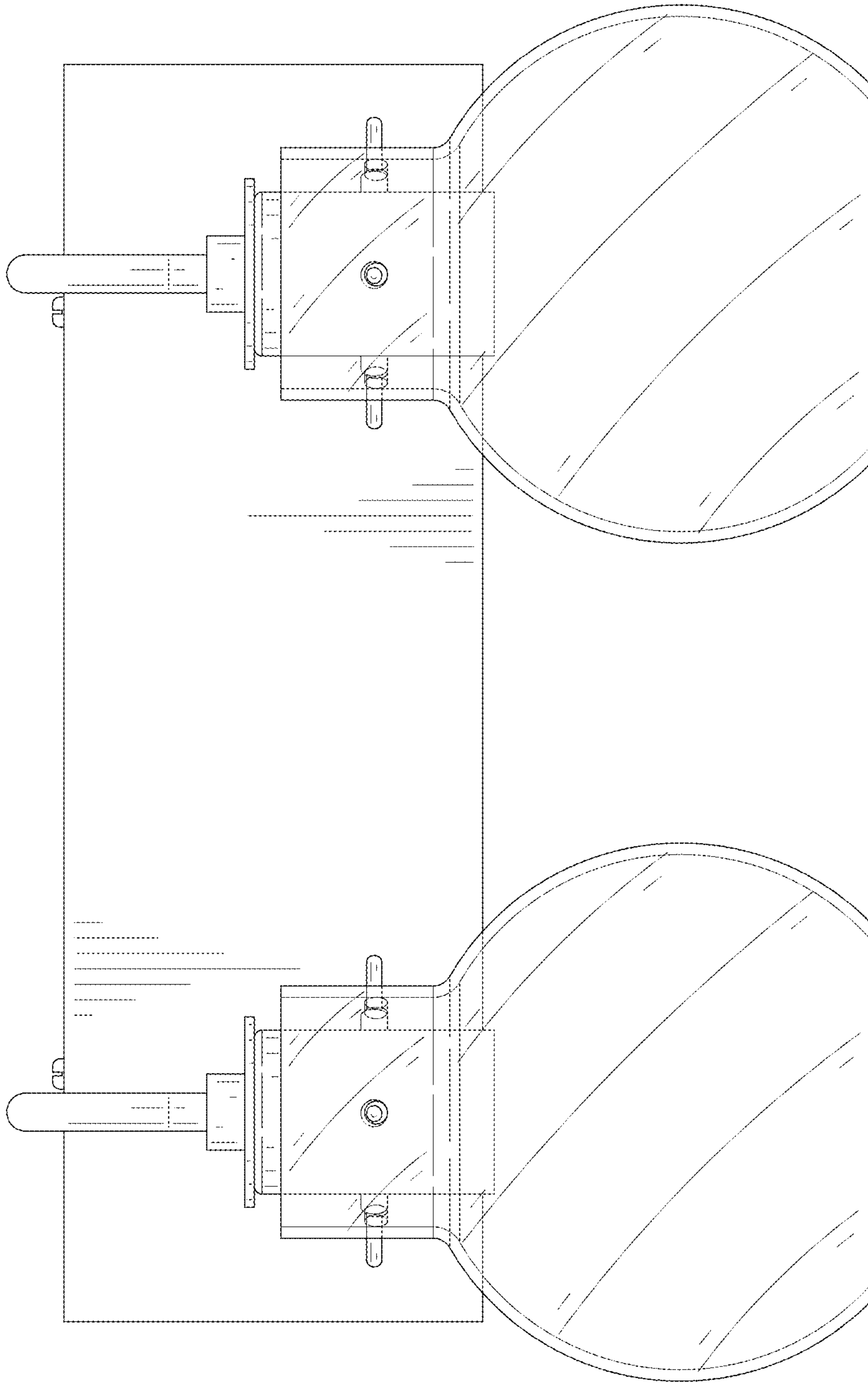


FIG. 3

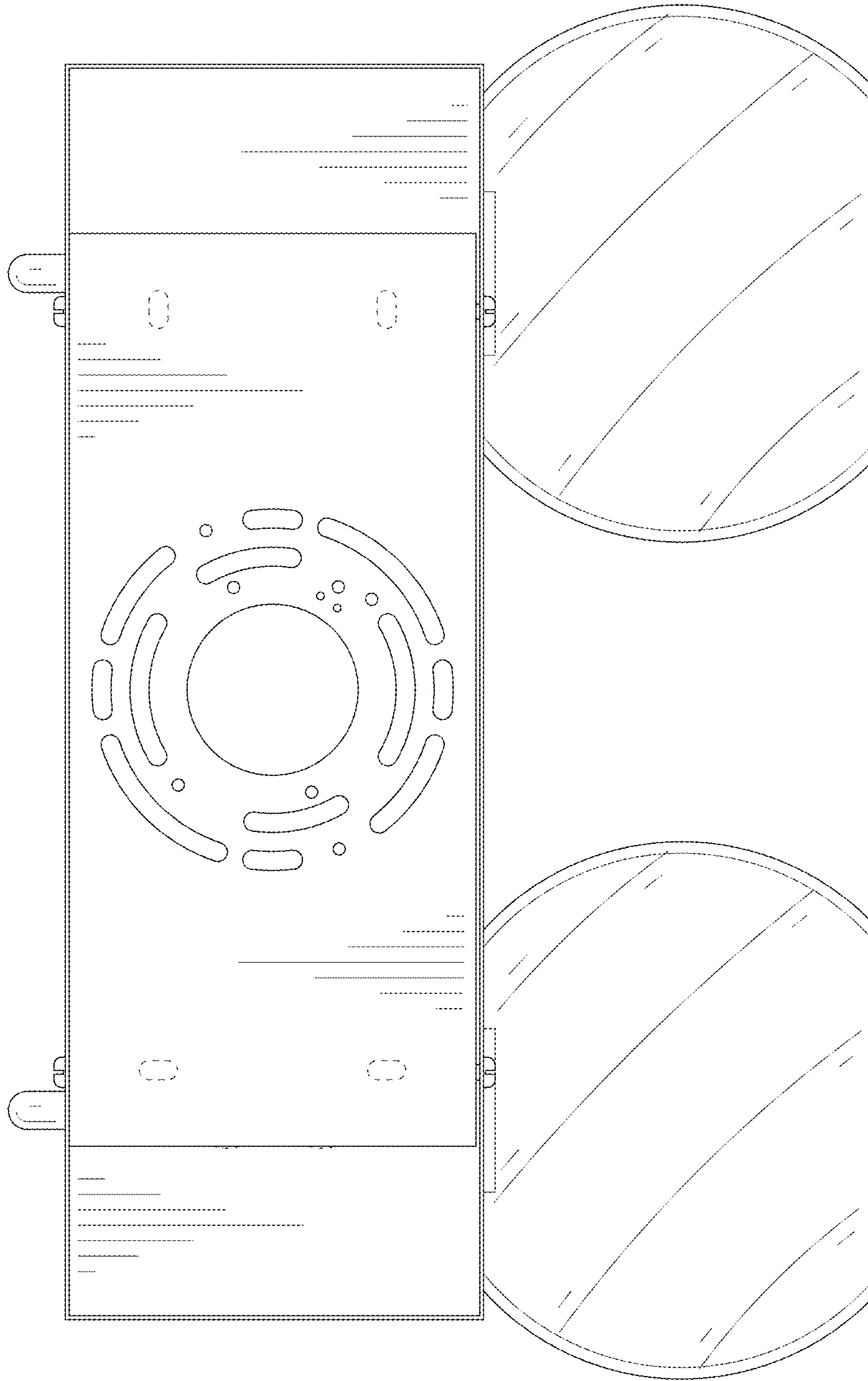


FIG. 4

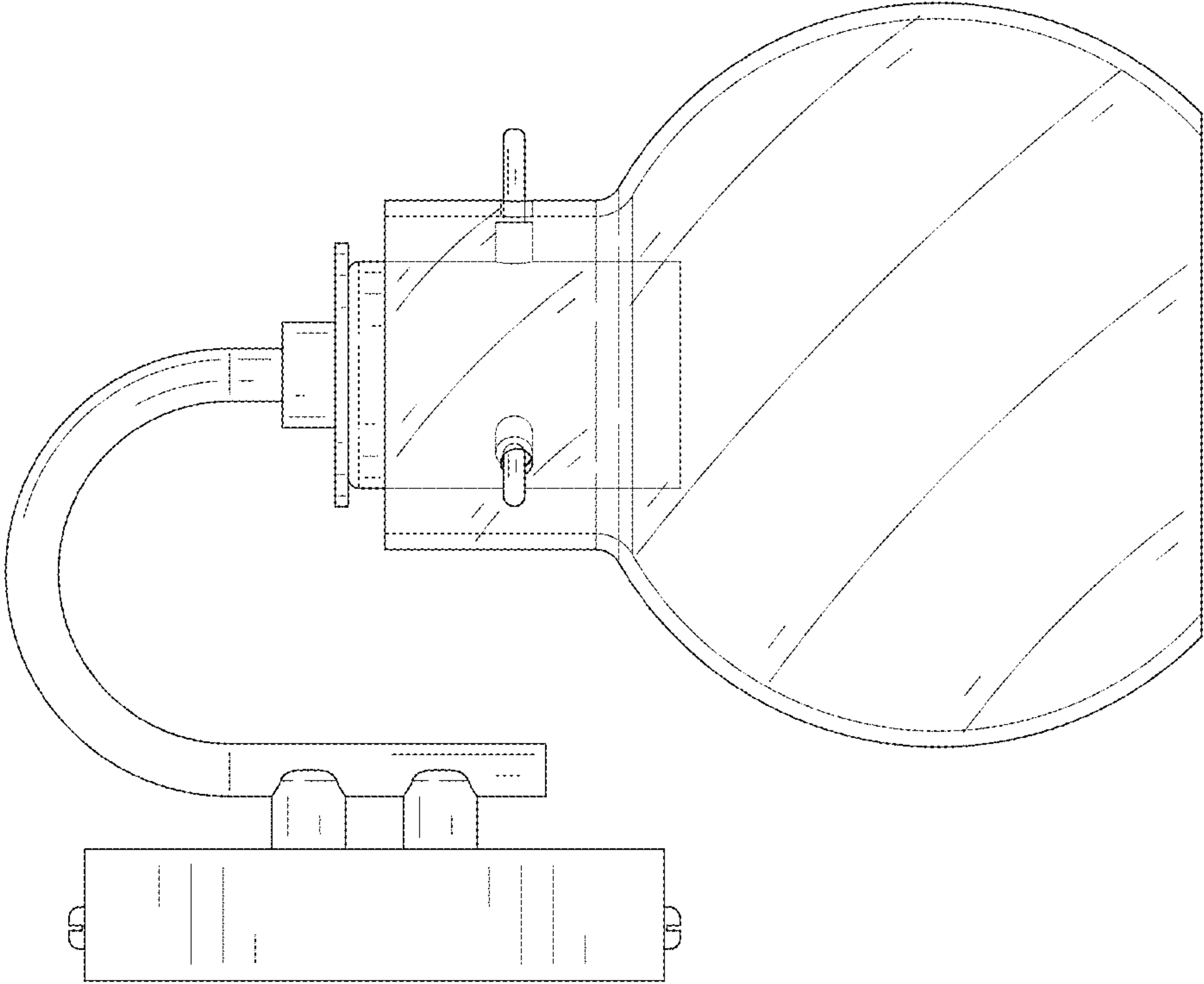


FIG. 5

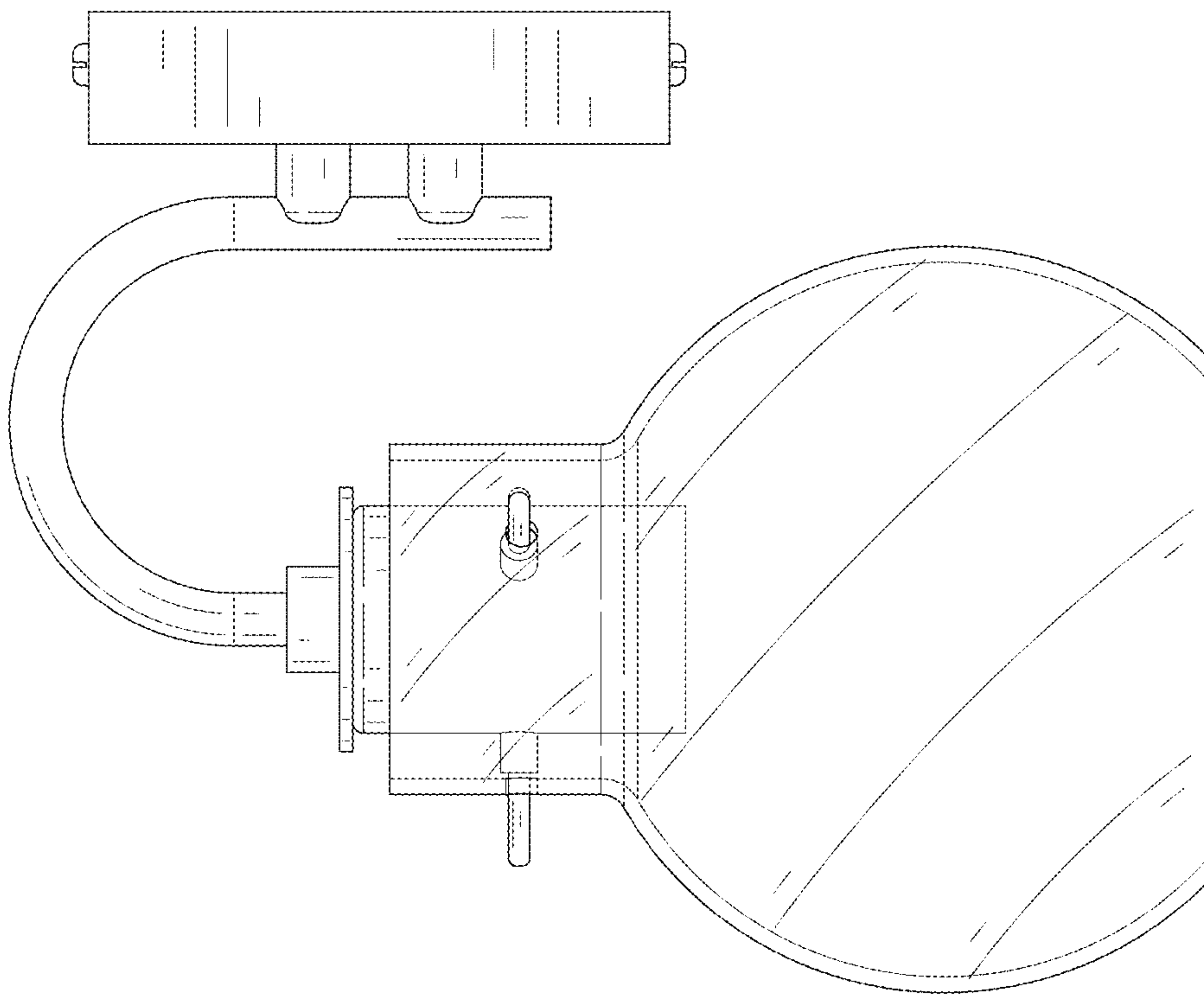


FIG. 6

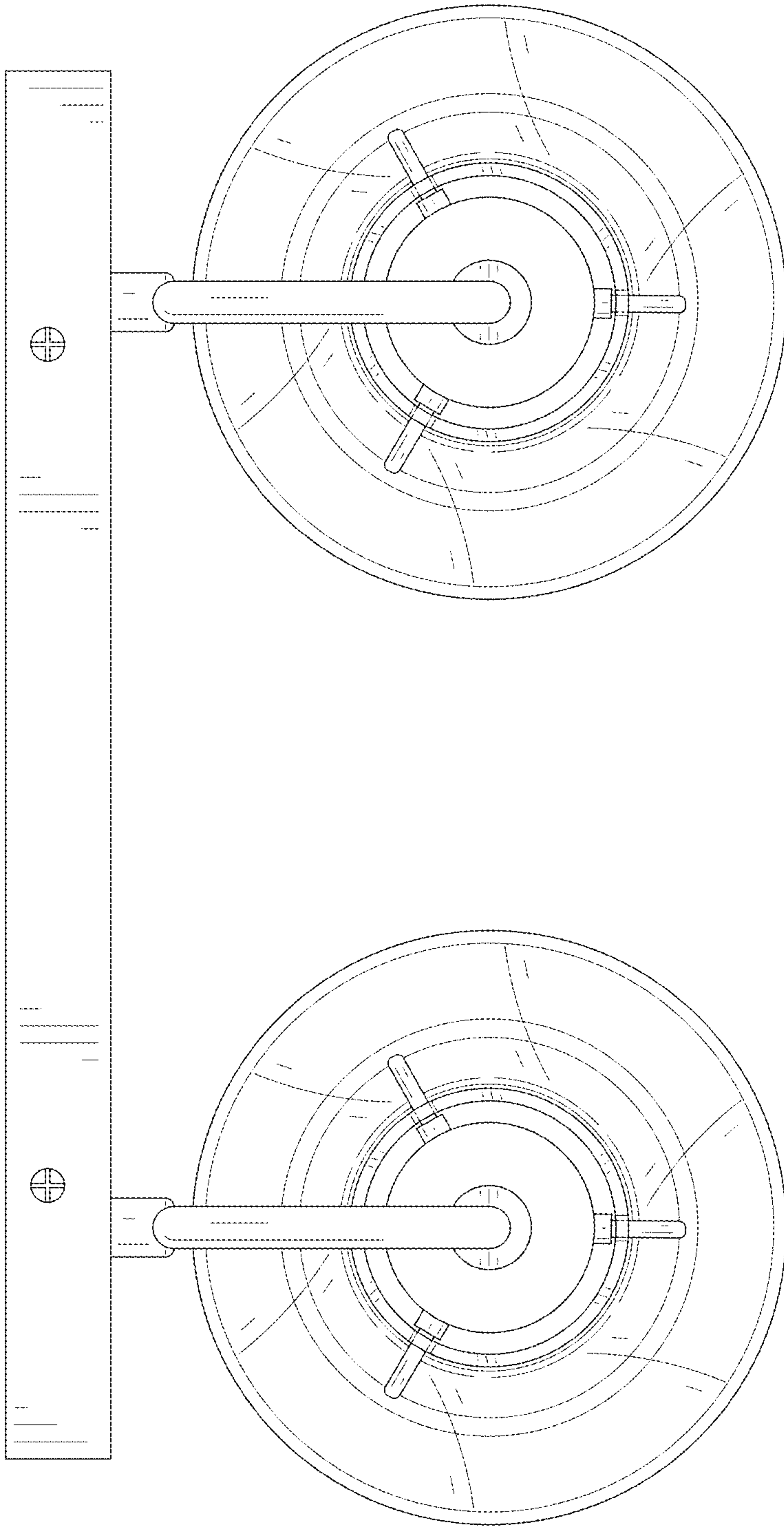


FIG. 7

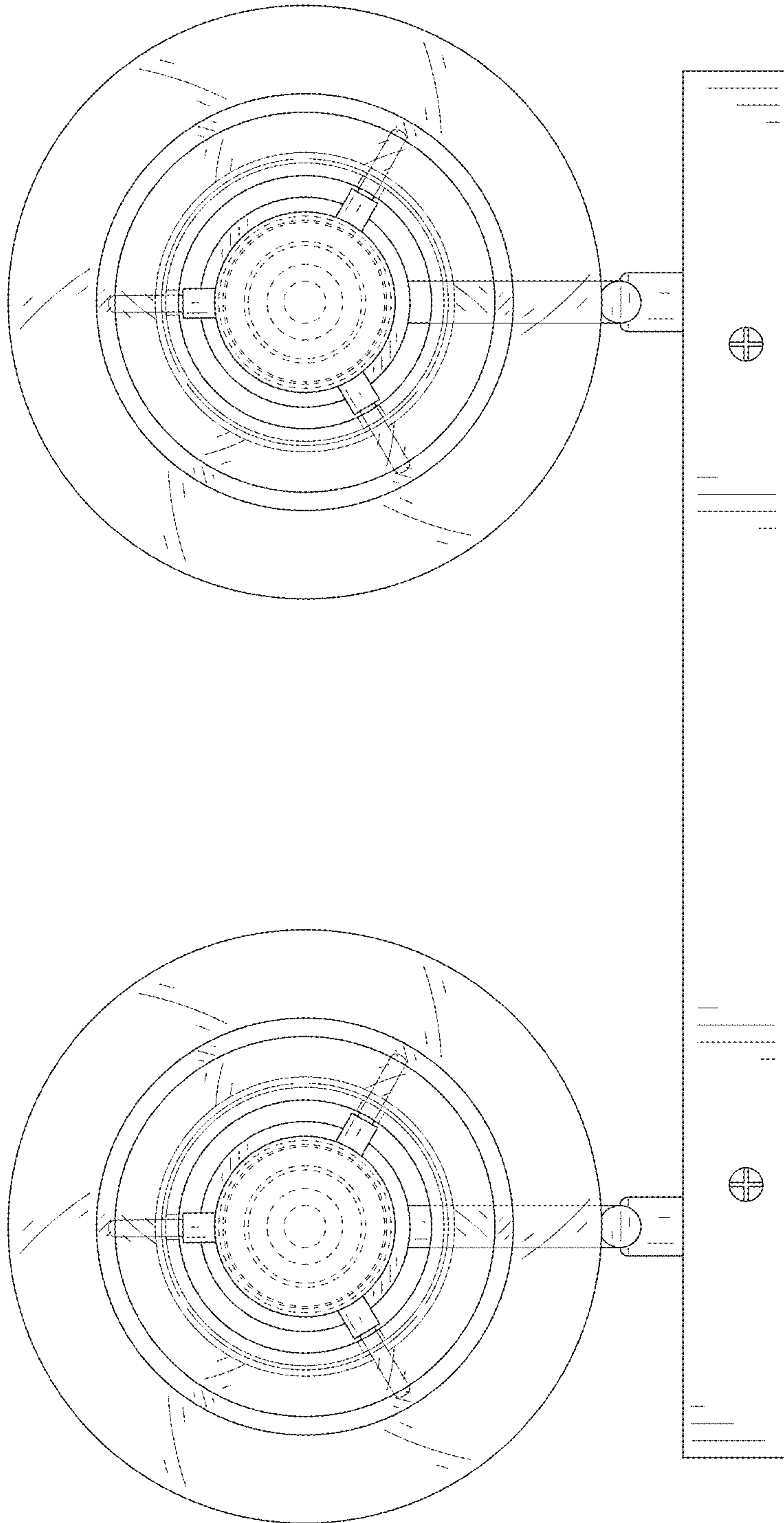


FIG. 8

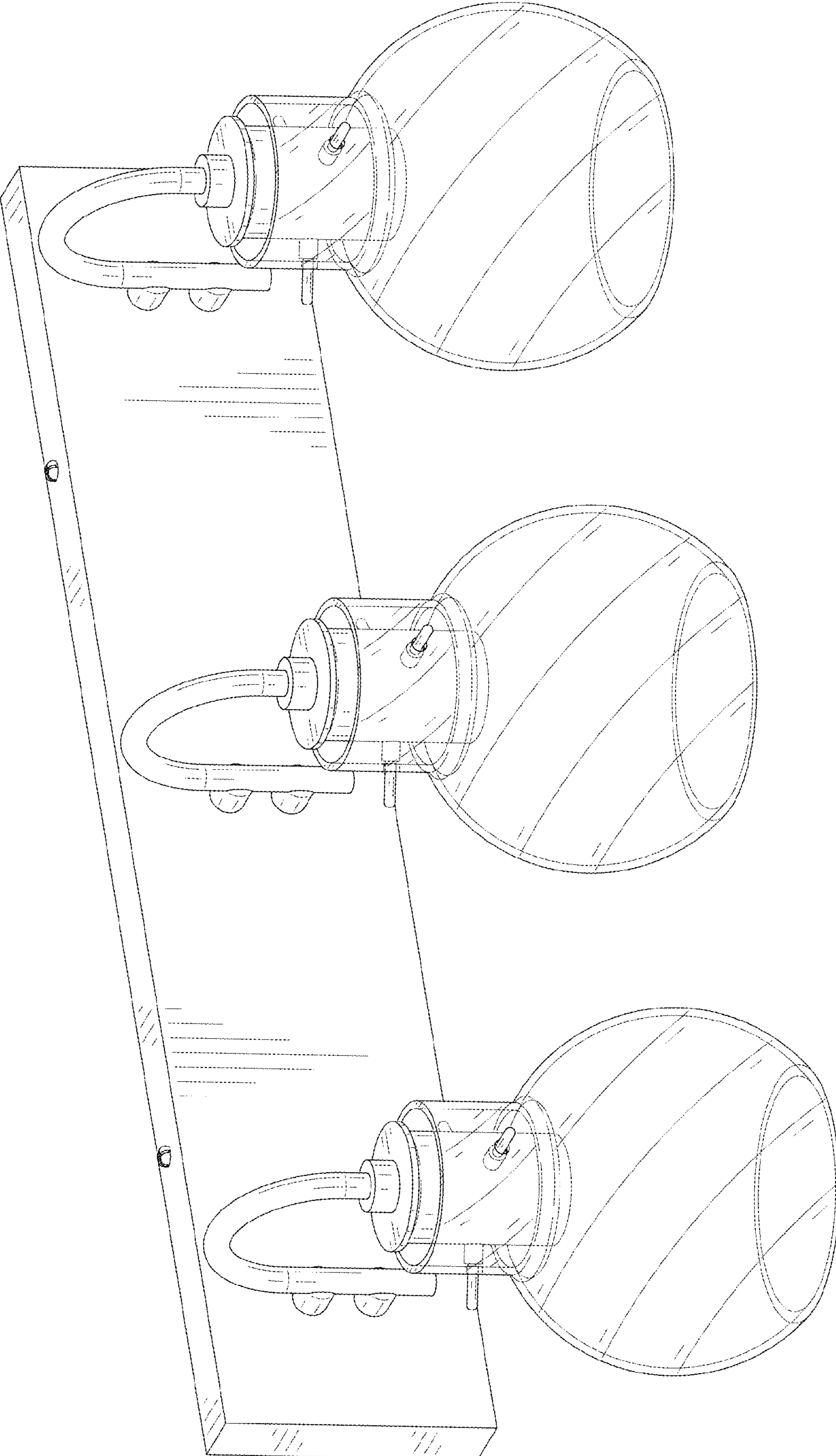


FIG. 9

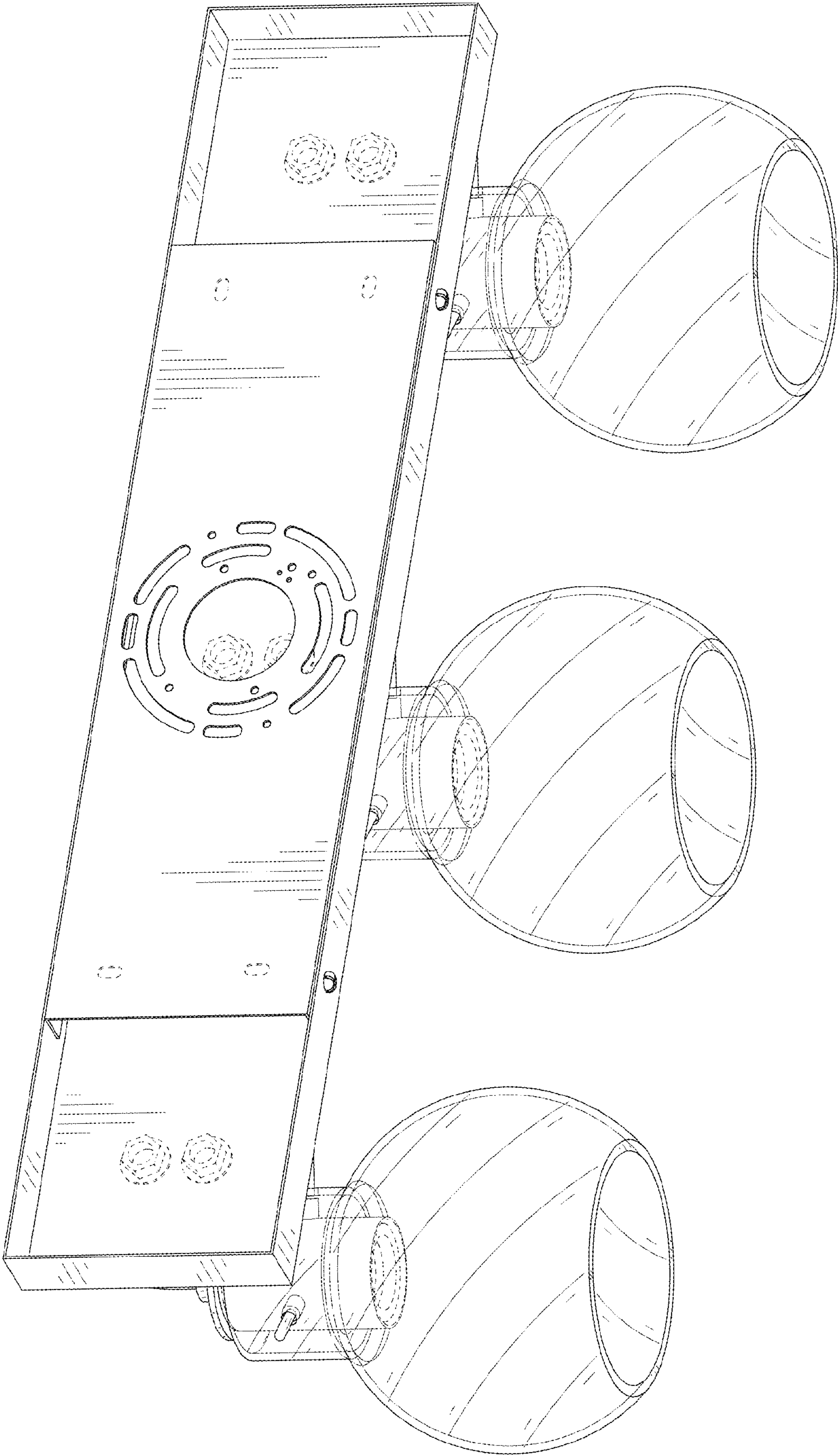


FIG. 10

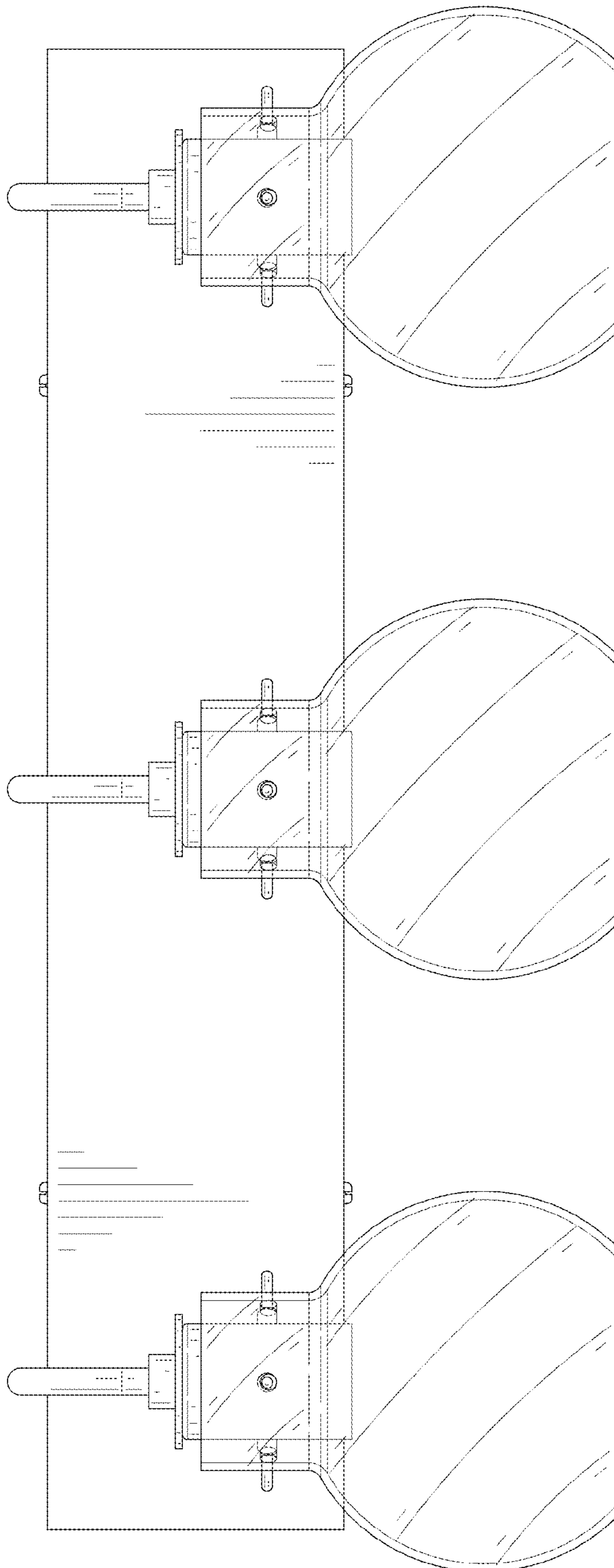


FIG. 11

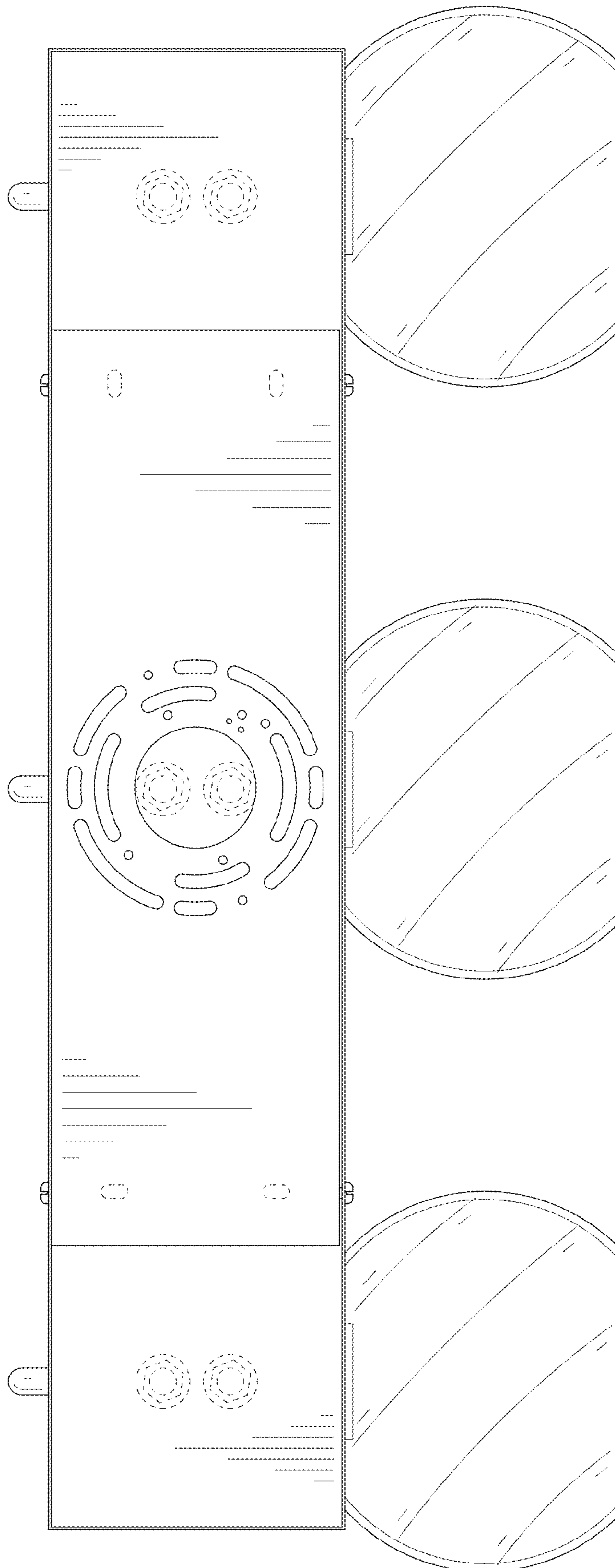


FIG. 12

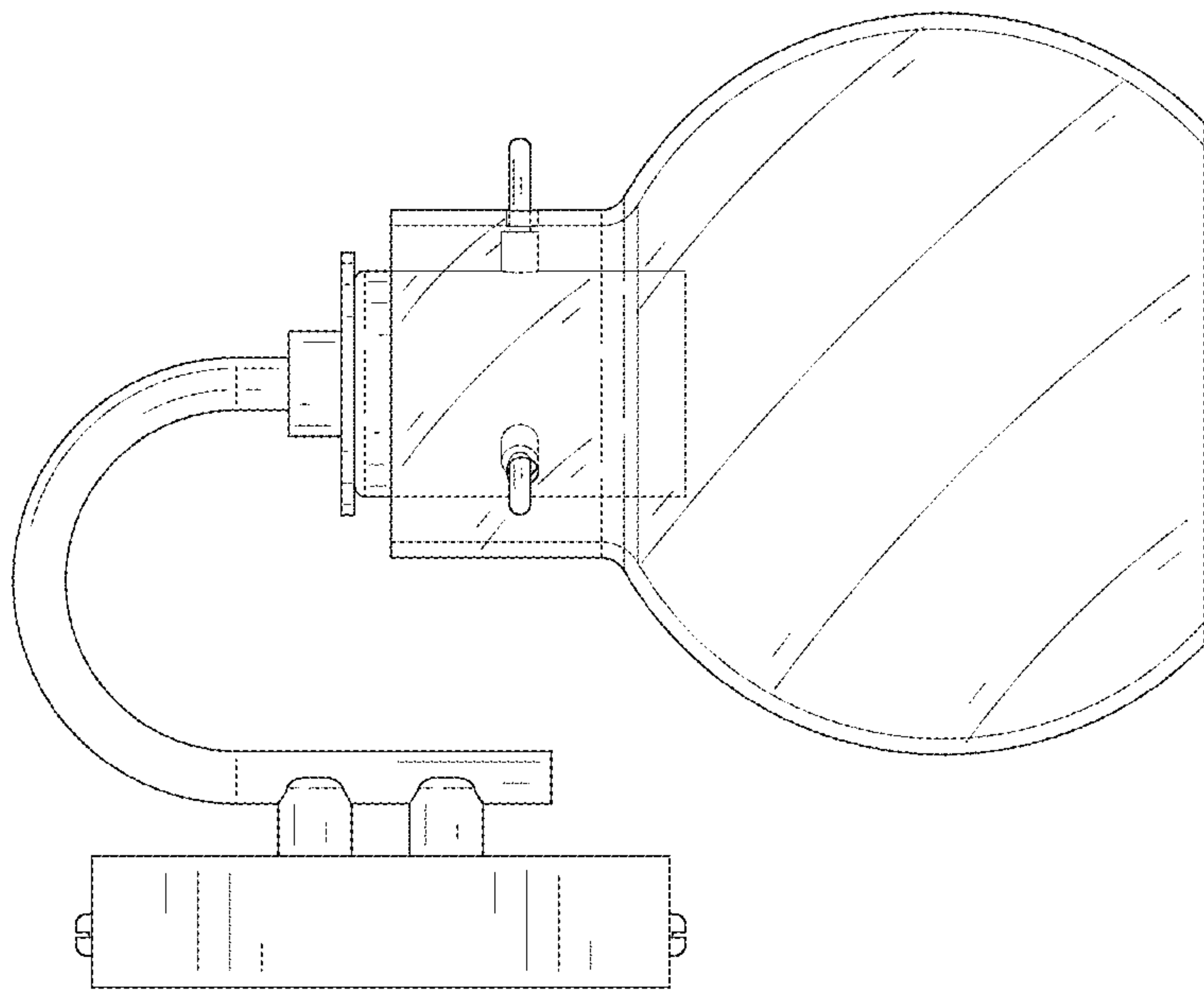


FIG. 13

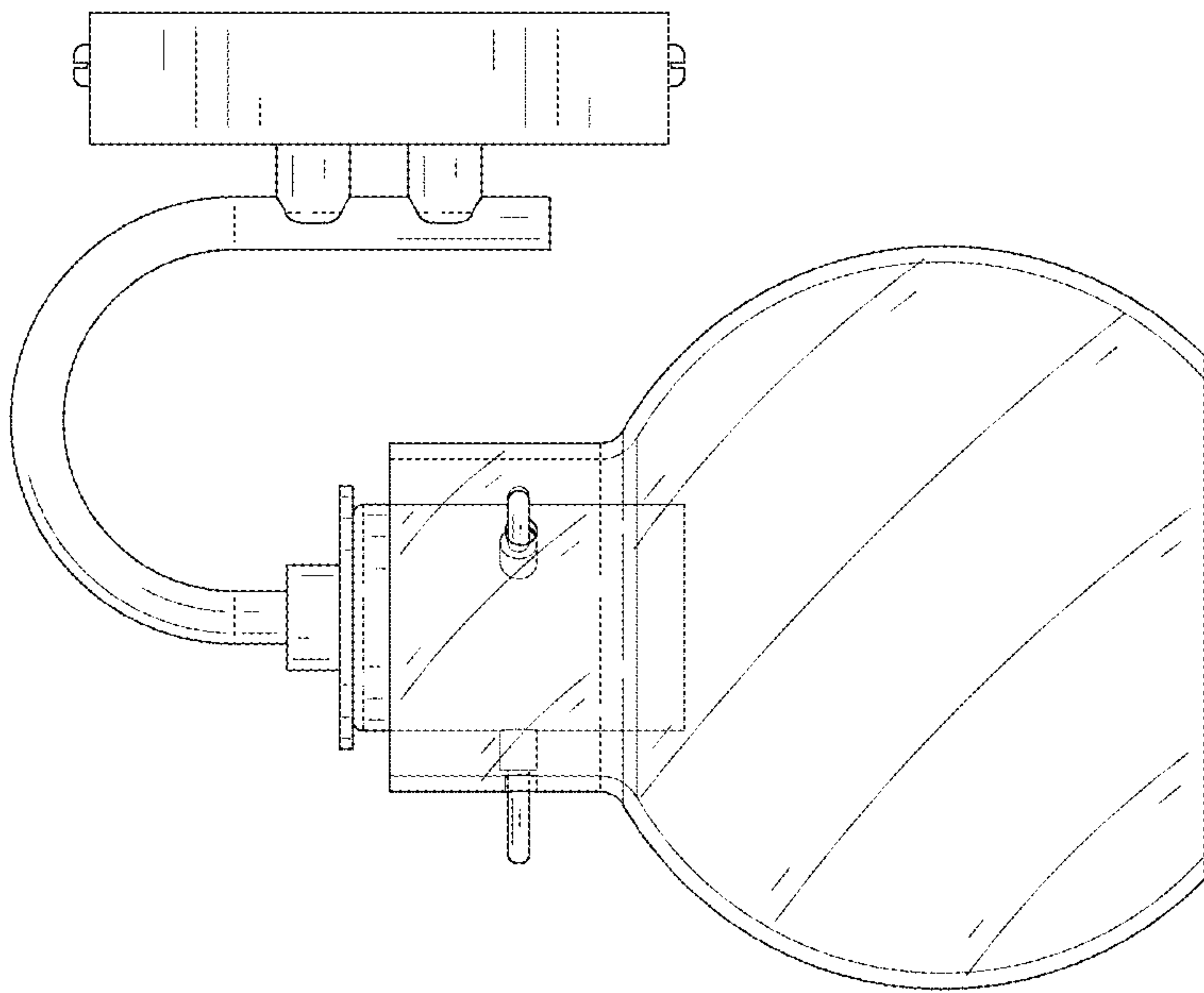


FIG. 14

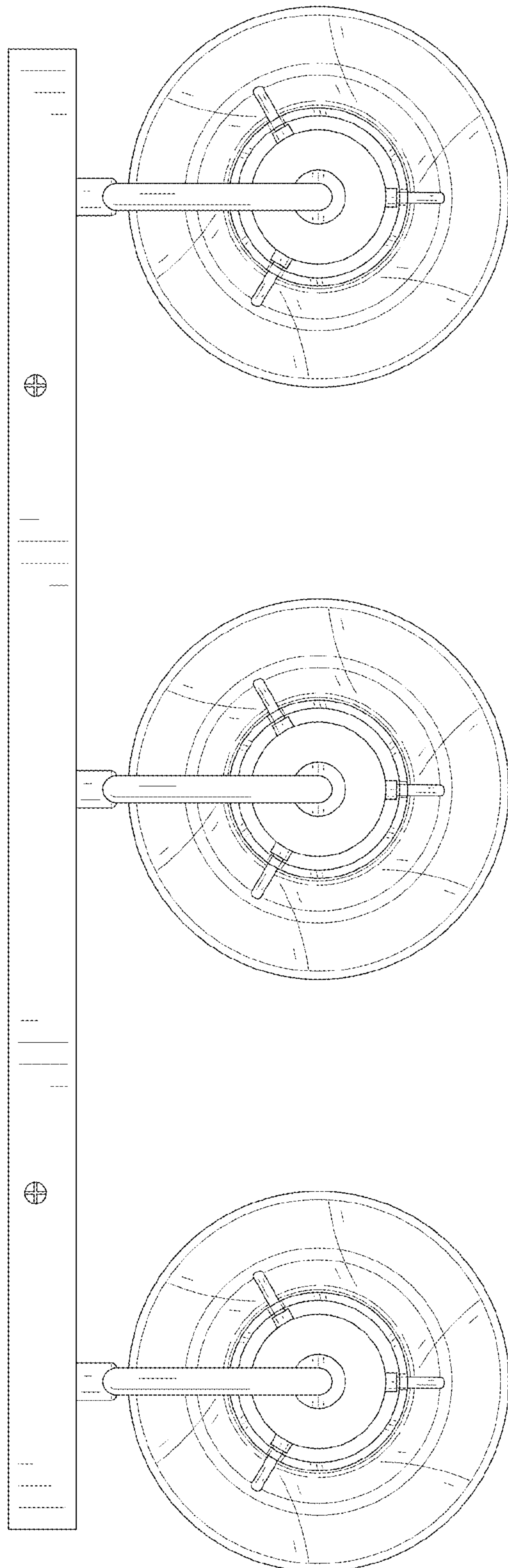


FIG. 15

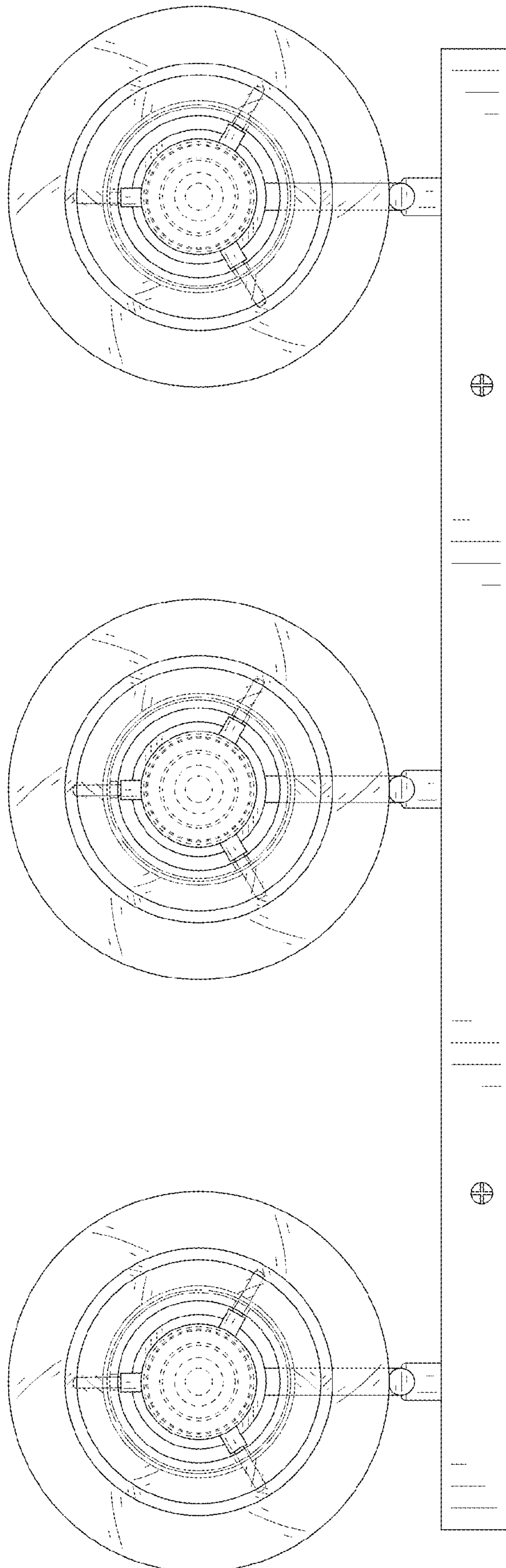


FIG. 16

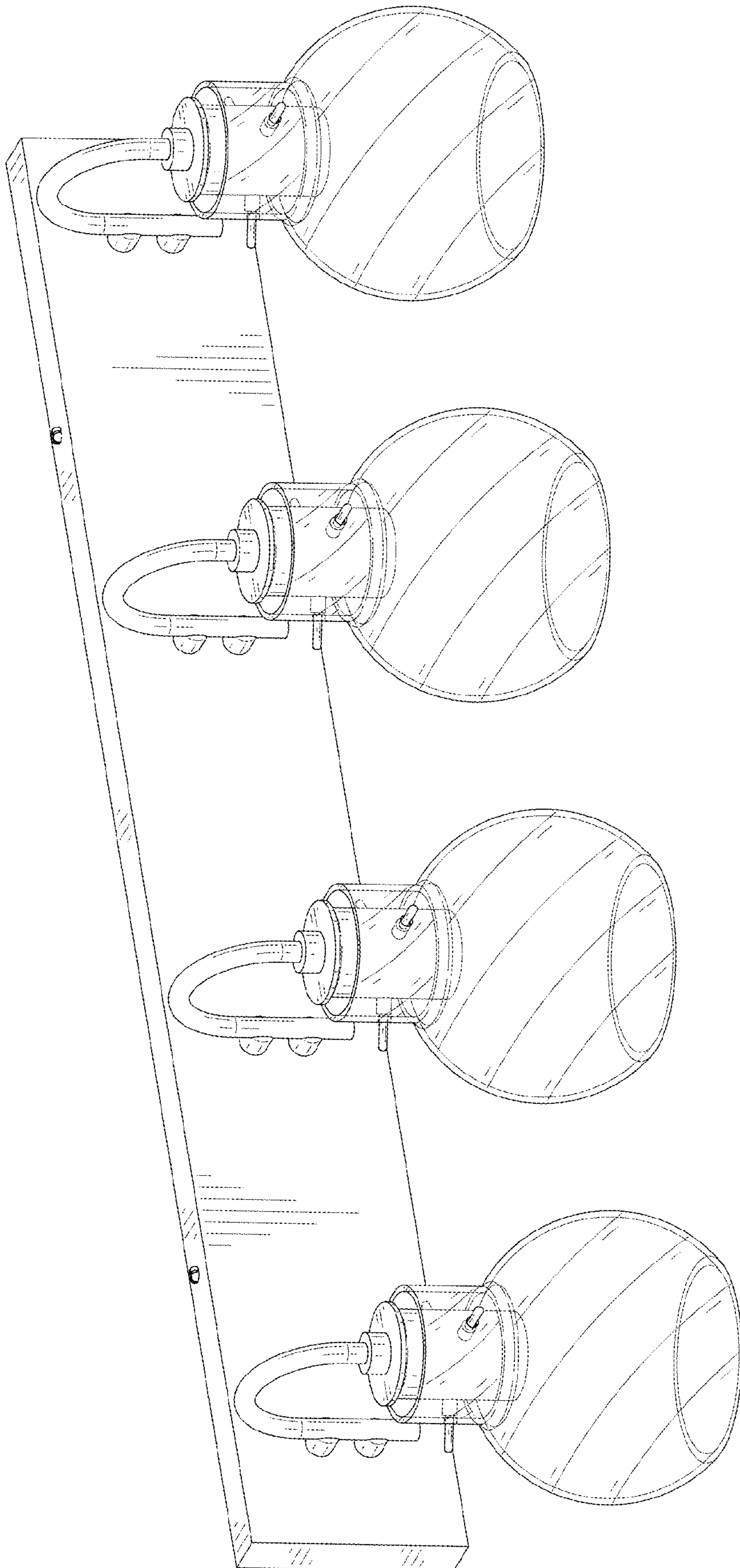


FIG. 17

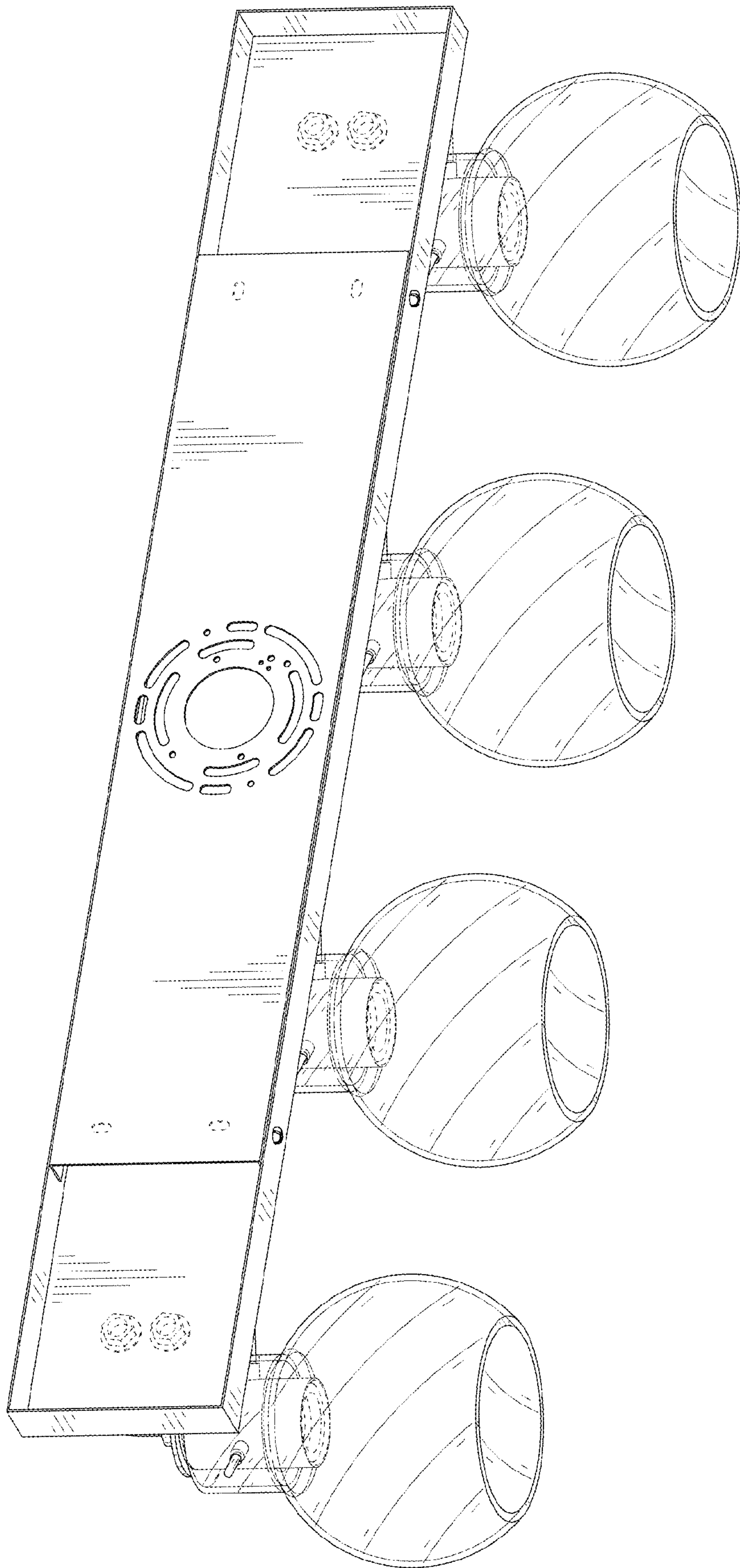


FIG. 18

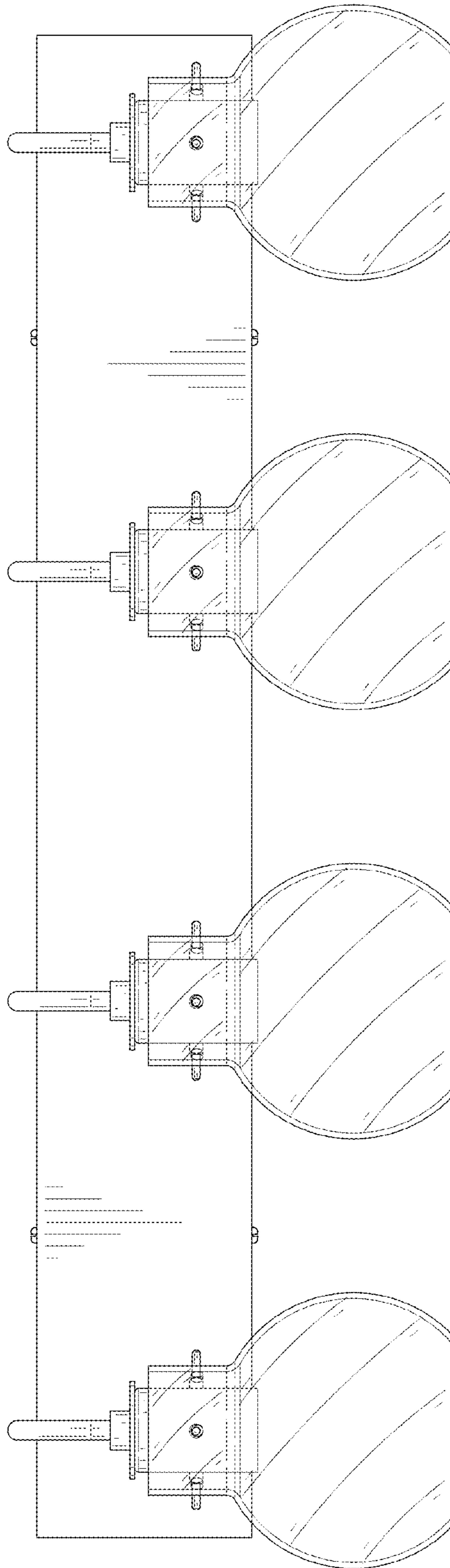


FIG. 19

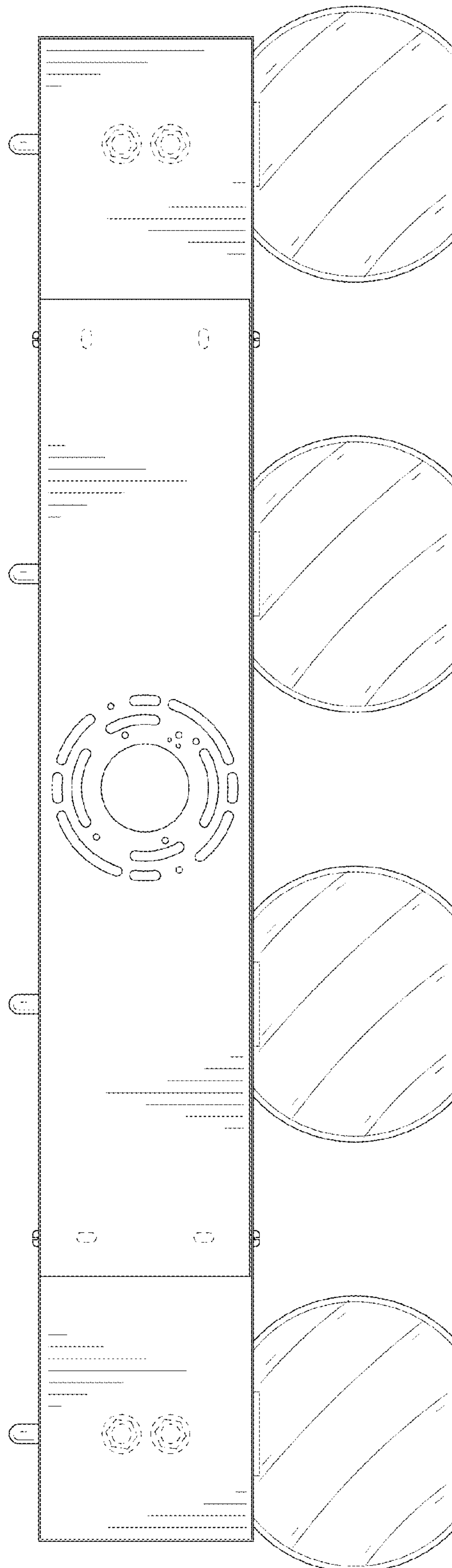


FIG. 20

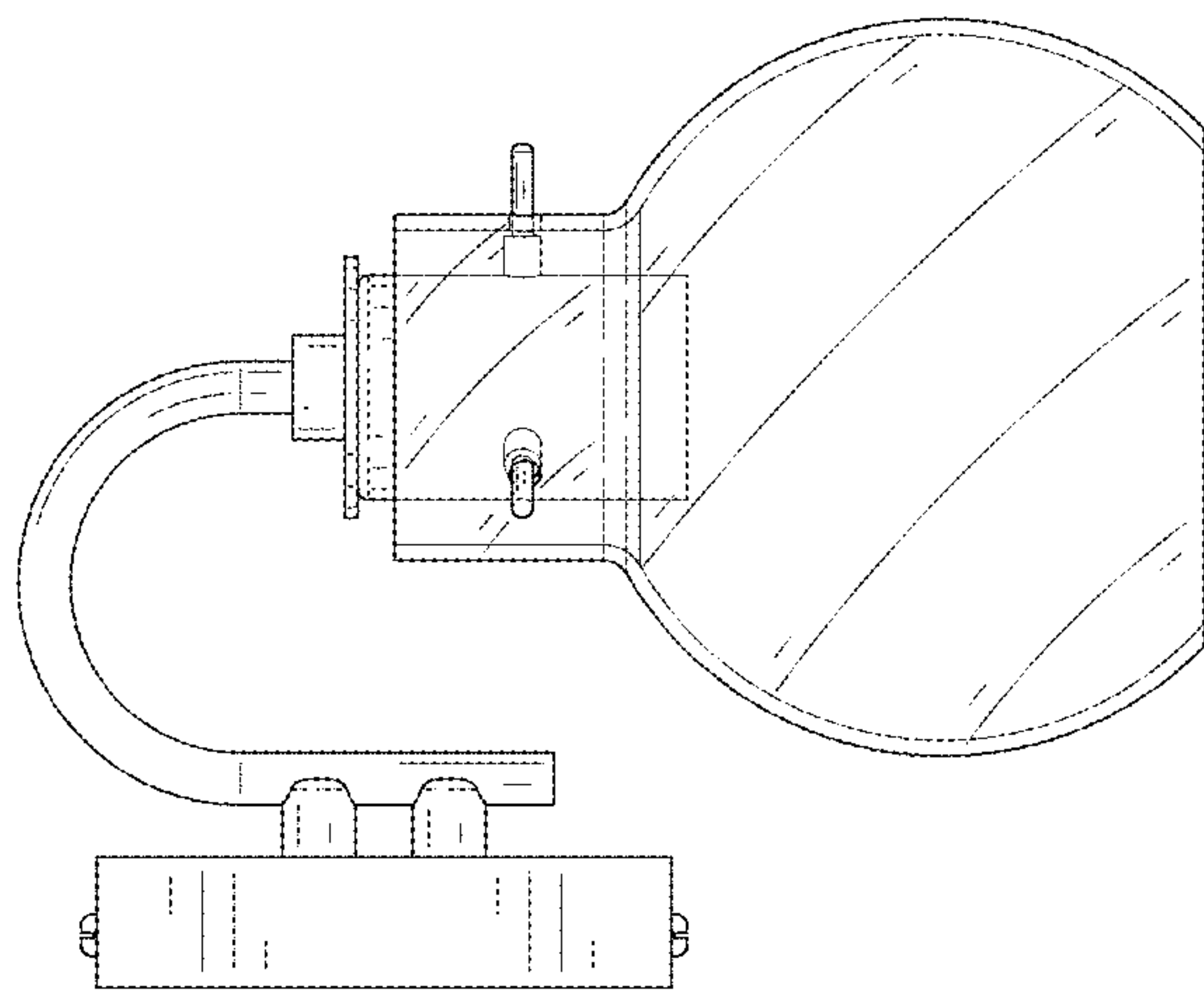


FIG. 21

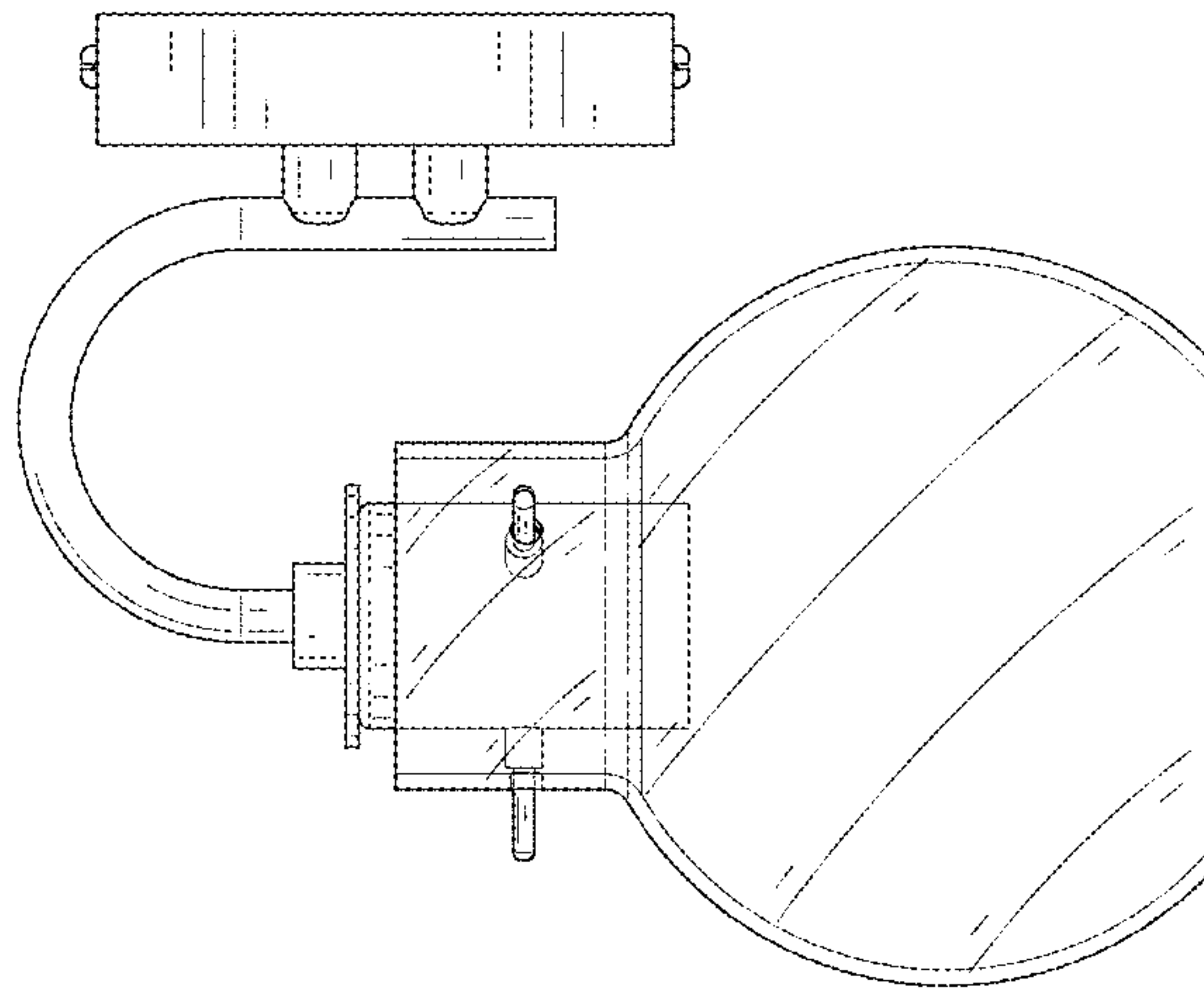


FIG. 22

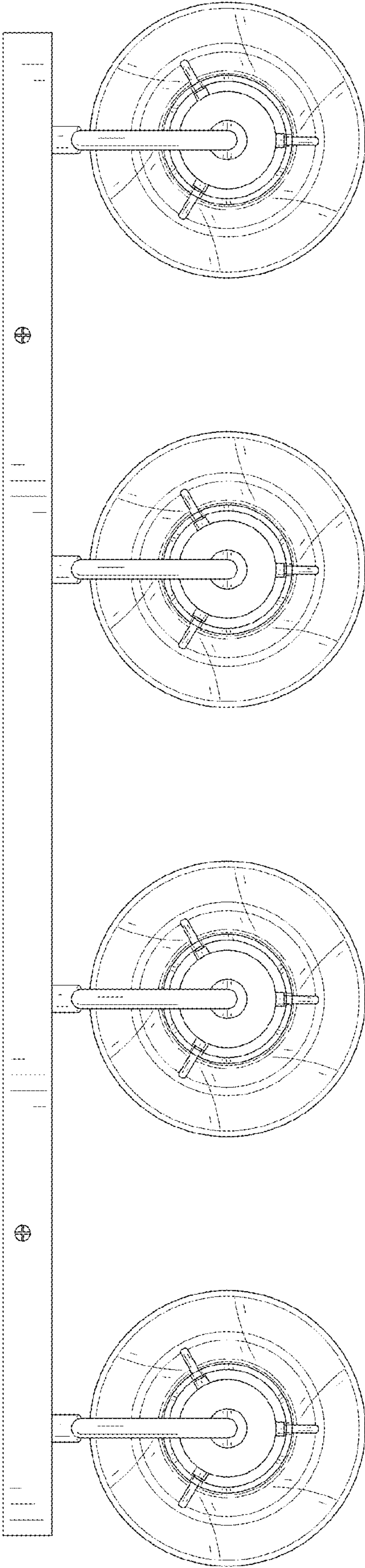


FIG. 23

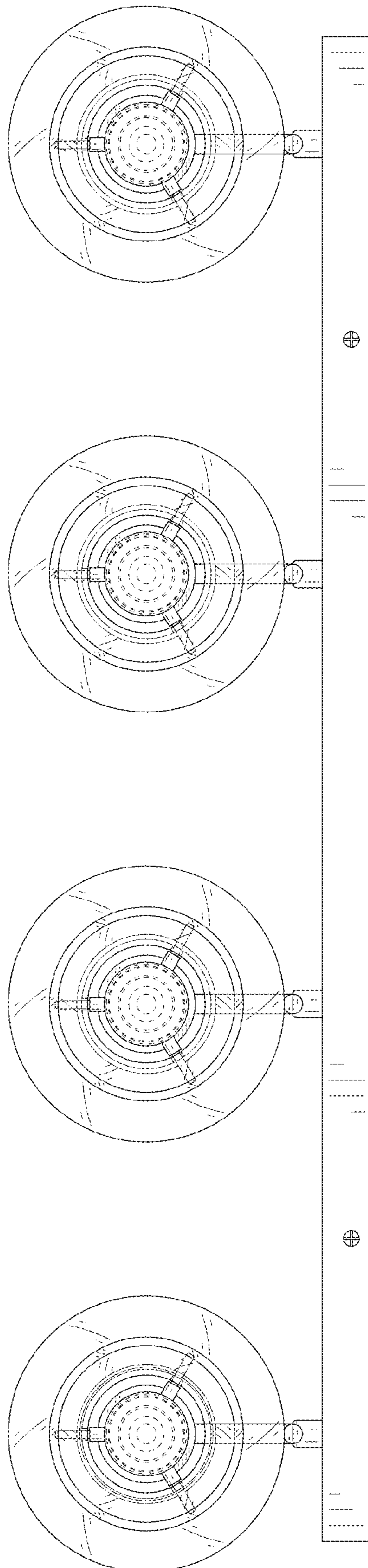


FIG. 24

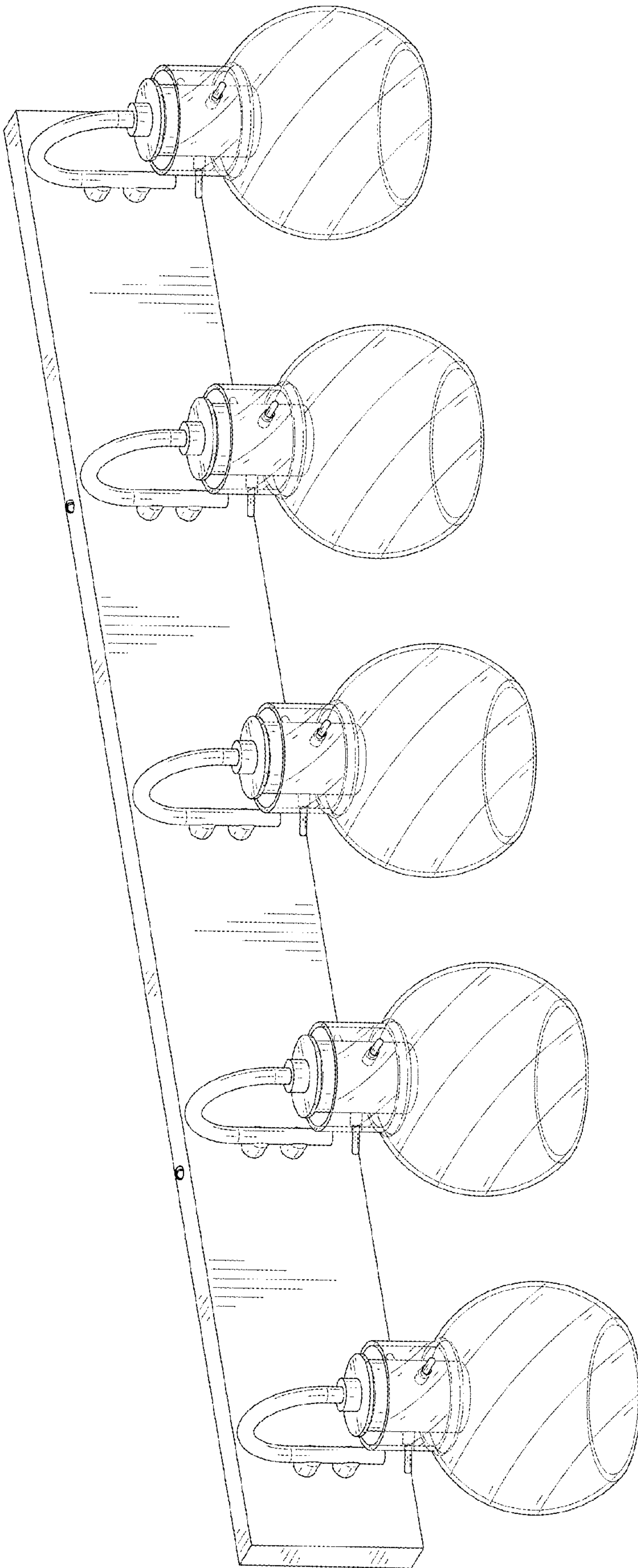


FIG. 25

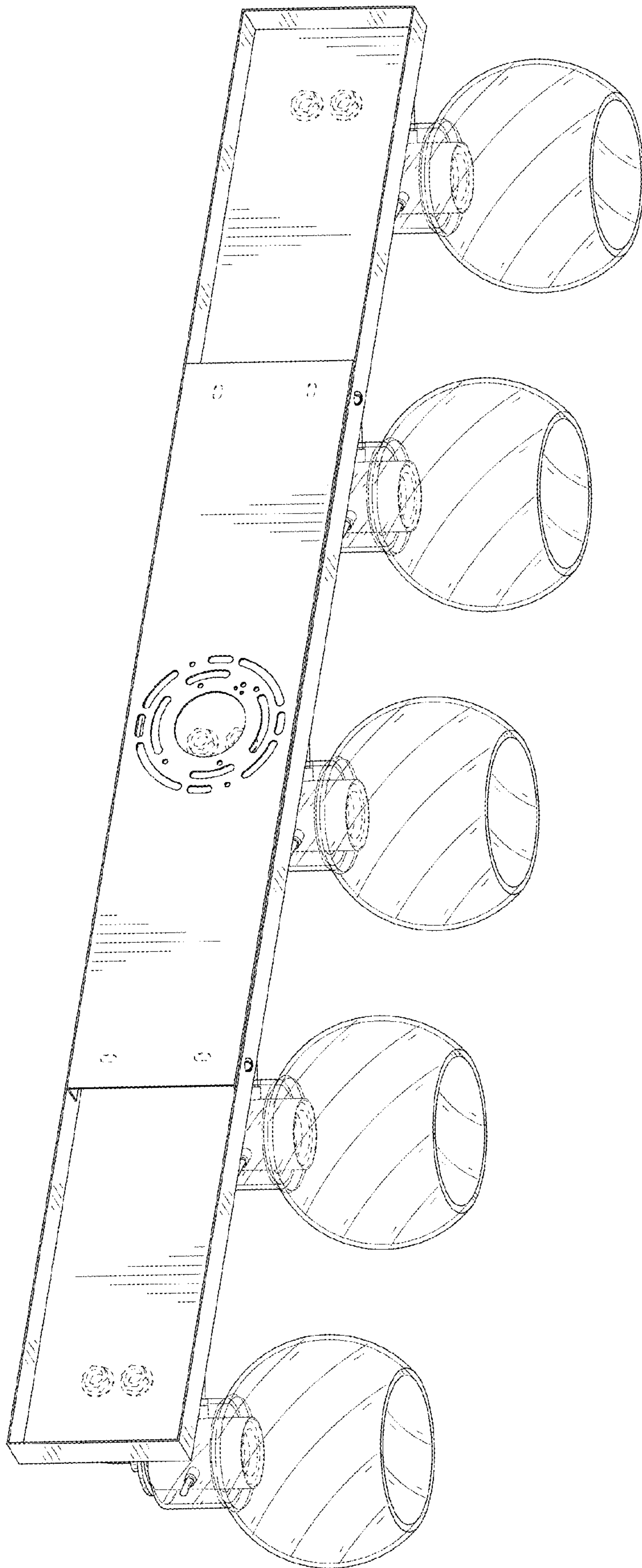


FIG. 26

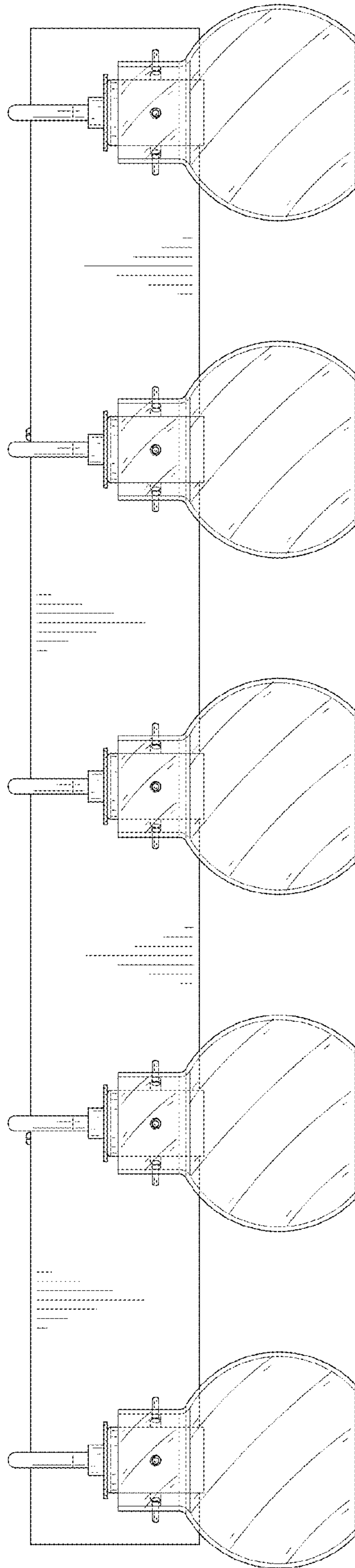


FIG. 27

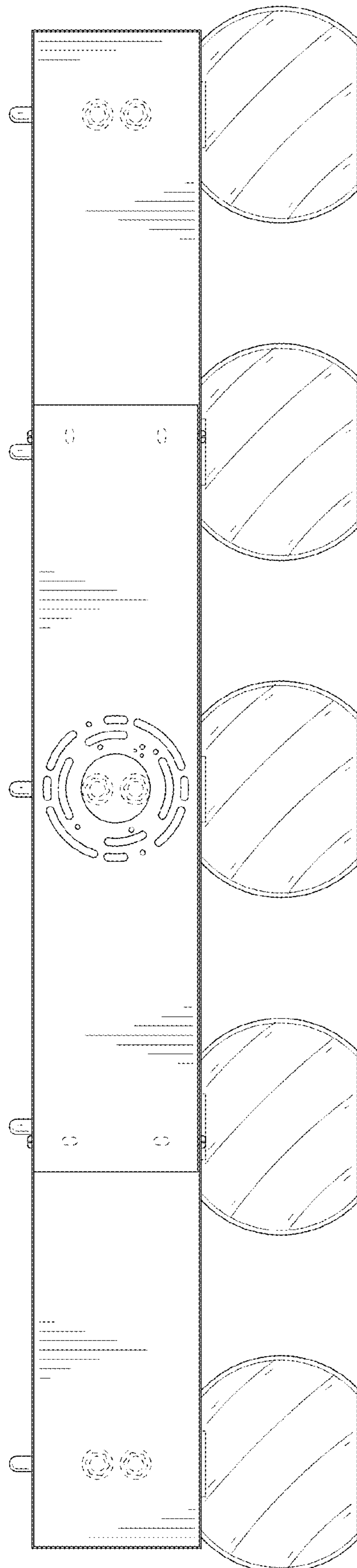


FIG. 28

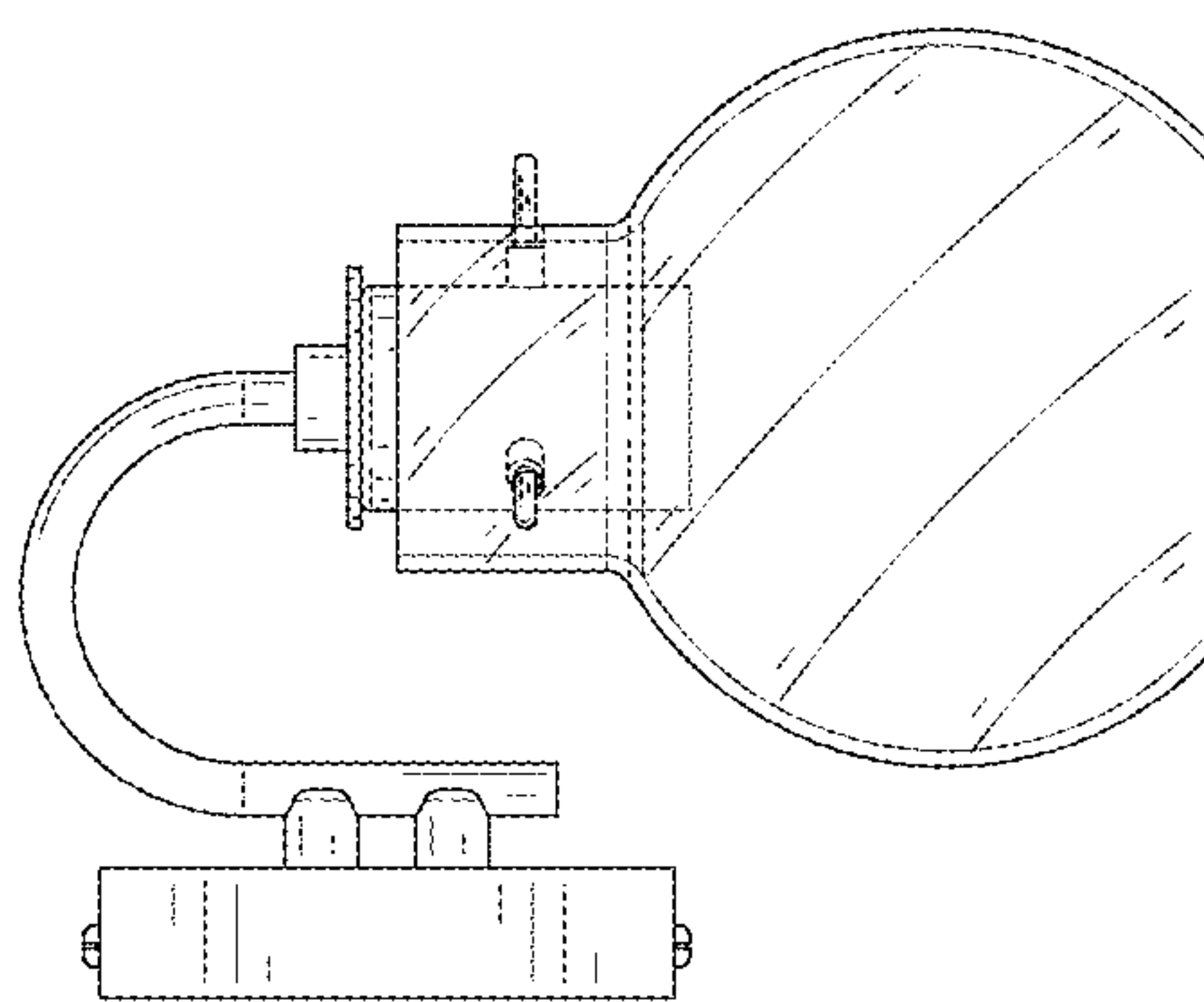


FIG. 29

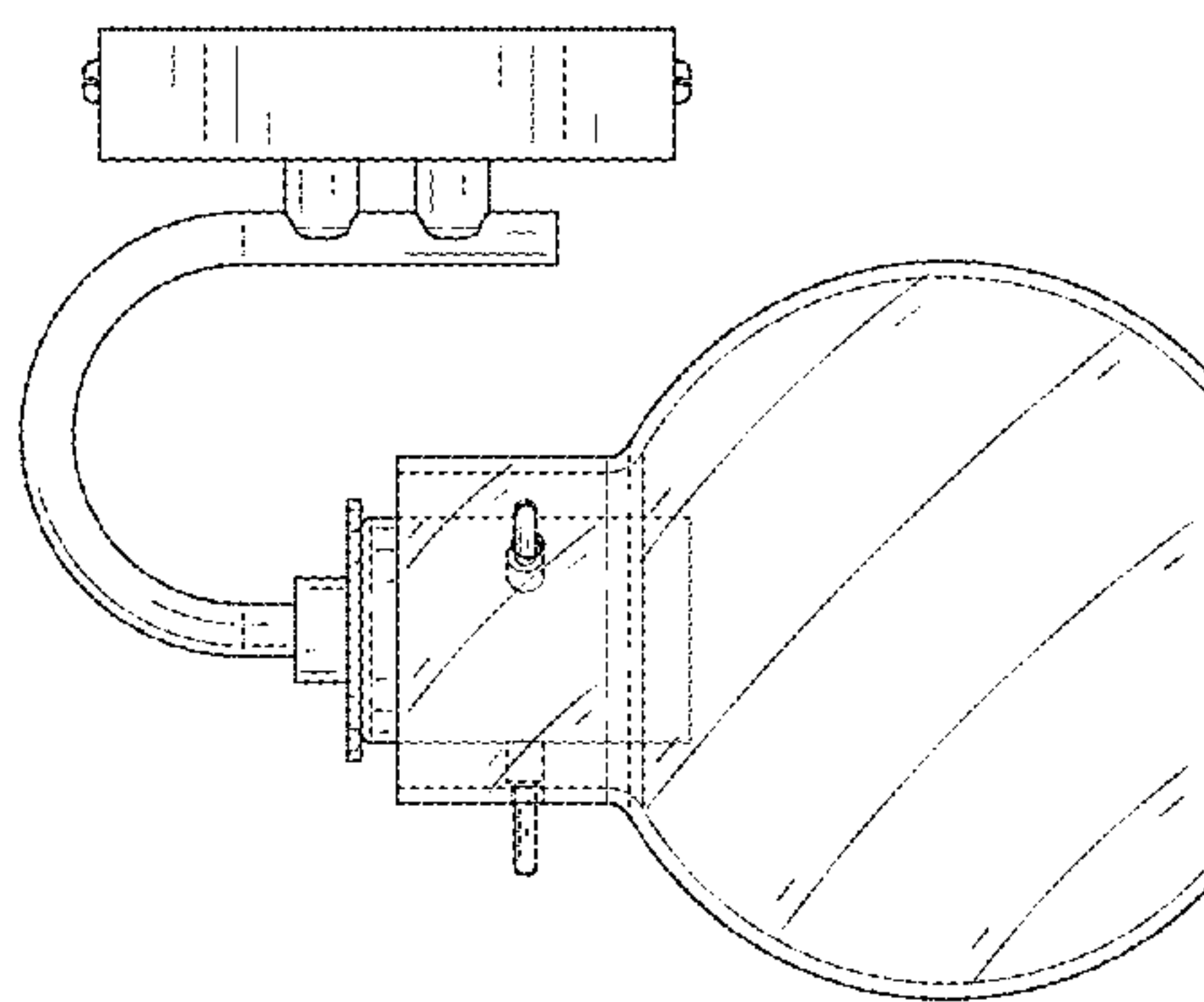


FIG. 30

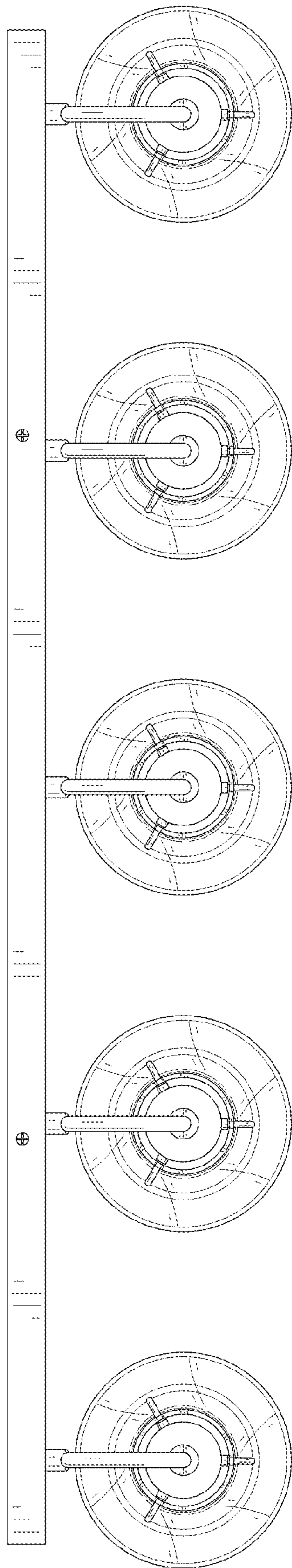


FIG. 31

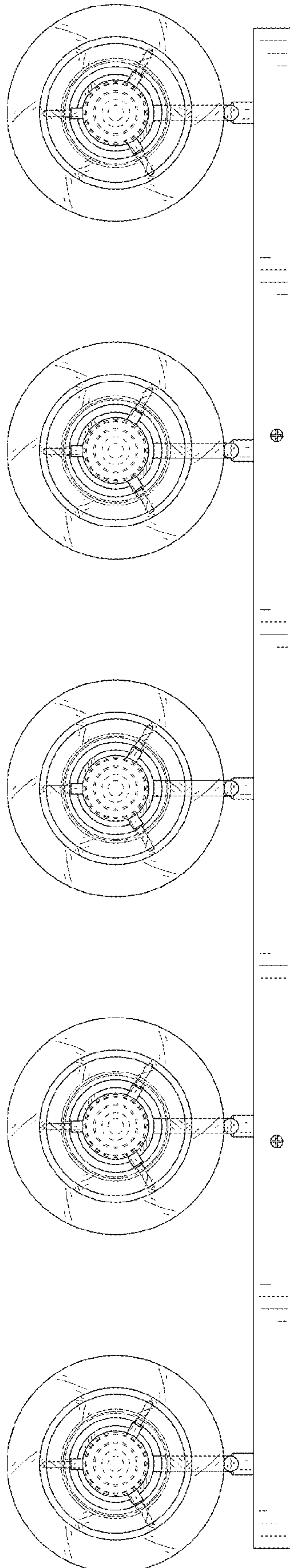


FIG. 32