



US00D975906S

(12) **United States Design Patent** (10) **Patent No.:** **US D975,906 S**
Li (45) **Date of Patent:** **** Jan. 17, 2023**

(54) **LED LIGHT CEILING FIXTURE**

(71) Applicant: **Xiaojun Li**, Guangdong (CN)

(72) Inventor: **Xiaojun Li**, Guangdong (CN)

(**) Term: **15 Years**

(21) Appl. No.: **29/794,387**

(22) Filed: **Jun. 11, 2021**

(51) **LOC (14) Cl.** **26-04**

(52) **U.S. Cl.**
USPC **D26/76**

(58) **Field of Classification Search**
USPC D26/24, 51, 72-80, 89, 118, 120, 138;
362/223, 217.01
CPC F21Y 2103/00; F21S 8/04; F21S 8/033;
F21S 8/03
See application file for complete search history.

(56) **References Cited**

U.S. PATENT DOCUMENTS

D496,123	S	*	9/2004	Blackman	D26/76
D636,108	S	*	4/2011	Nguyen	D26/89
D663,882	S	*	7/2012	Muraishi	D26/76
D675,365	S	*	1/2013	Beghelli	D26/78
D690,844	S	*	10/2013	Wang	D26/51
D690,845	S	*	10/2013	Wang	D26/51
D706,485	S	*	6/2014	Waldmann	D26/138
D728,140	S	*	4/2015	Lay	D26/80
D771,858	S	*	11/2016	Wu	D26/76
D897,022	S	*	9/2020	Guo	D26/76
D899,662	S	*	10/2020	Chami	D26/76
D917,091	S	*	4/2021	Ma	D26/76

FOREIGN PATENT DOCUMENTS

CN 303607290 * 3/2016

OTHER PUBLICATIONS

Airand Waterproof Linkable LED Tube Light, available in Amazon.com, date first available Aug. 12, 2019 [online], [site visited Oct. 17,

2022], Available from the internet URL: <https://www.amazon.com/Airand-Waterproof-Linkable-Lighting-Electric/dp/B07W9LPHR47th=1> (Year: 2019).*
AntLux 8ft LED Shop Lights, available in ubuy.co.id, customer review oldest date May 13, 2020 [online], [site visited Oct. 17, 2022], Available from the internet URL: <https://tinyurl.com/2rmrwufz> (Year: 2020).*
Super Bright Workshop Lights with US Plug Cable, available in Amazon.com, date first available Feb. 28, 2021 [online], [site visited date], Available from the internet URL: <https://www.amazon.com/Linkable-Workshop-Workshops-Basements-FlushMount/dp/B08P5KW664?th=1> (Year: 2021).*

(Continued)

Primary Examiner — Brett Miller

Assistant Examiner — Jasmine L. Comedy

(74) *Attorney, Agent, or Firm* — ScienBiziP, P.C.

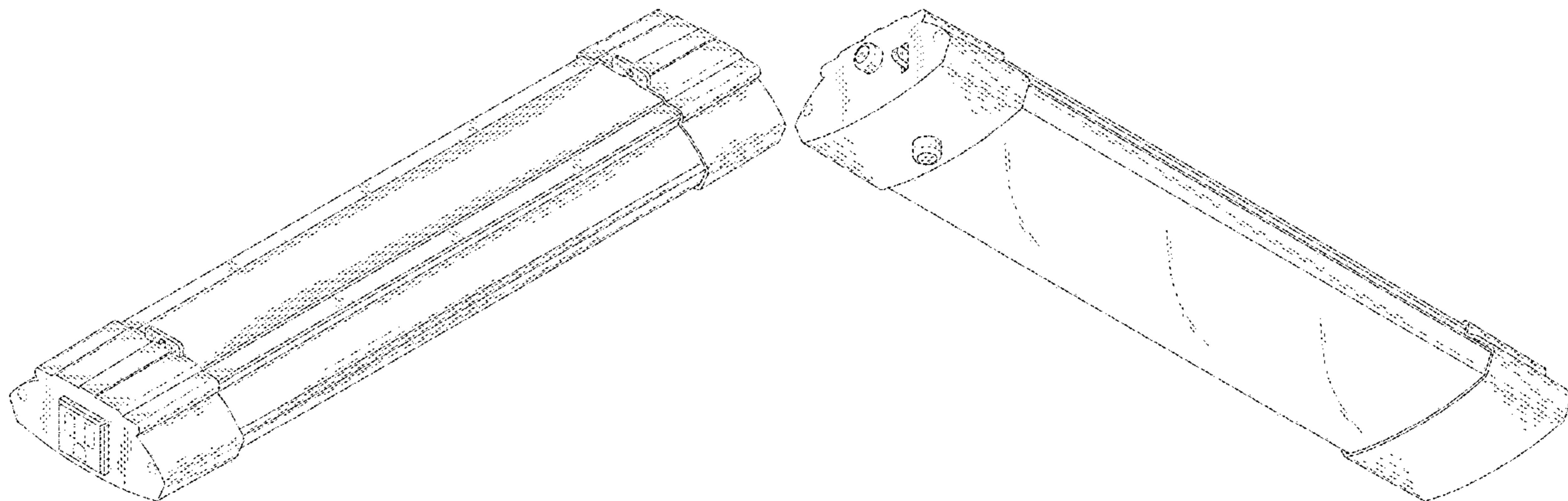
(57) **CLAIM**

The ornamental design for a LED light ceiling fixture, as shown and described.

DESCRIPTION

FIG. 1 is a front, left, and top perspective view of a LED light ceiling fixture, showing my design.
FIG. 2 is a rear, right, and bottom perspective view thereof.
FIG. 3 is a front elevation view thereof.
FIG. 4 is a rear elevation view thereof.
FIG. 5 is a left side elevation view thereof.
FIG. 6 is a right side elevation view thereof.
FIG. 7 is a top plan view thereof; and,
FIG. 8 is a bottom plan view thereof.
The broken lines shown in the drawings are included for the purpose of illustrating portions of the LED light ceiling fixture that form no part of the claimed design.

1 Claim, 8 Drawing Sheets



(56)

References Cited

OTHER PUBLICATIONS

Honeywell, Hanging Chain LED 4-Ft Linkable Shop Garage | Plug-In Light, available in ebay.com, customer review oldest date Mar. 9, 2016 [online], [site visited Oct. 17, 2022], Available from the internet URL: <https://www.ebay.com/itm/193519276173> (Year: 2016).*

* cited by examiner

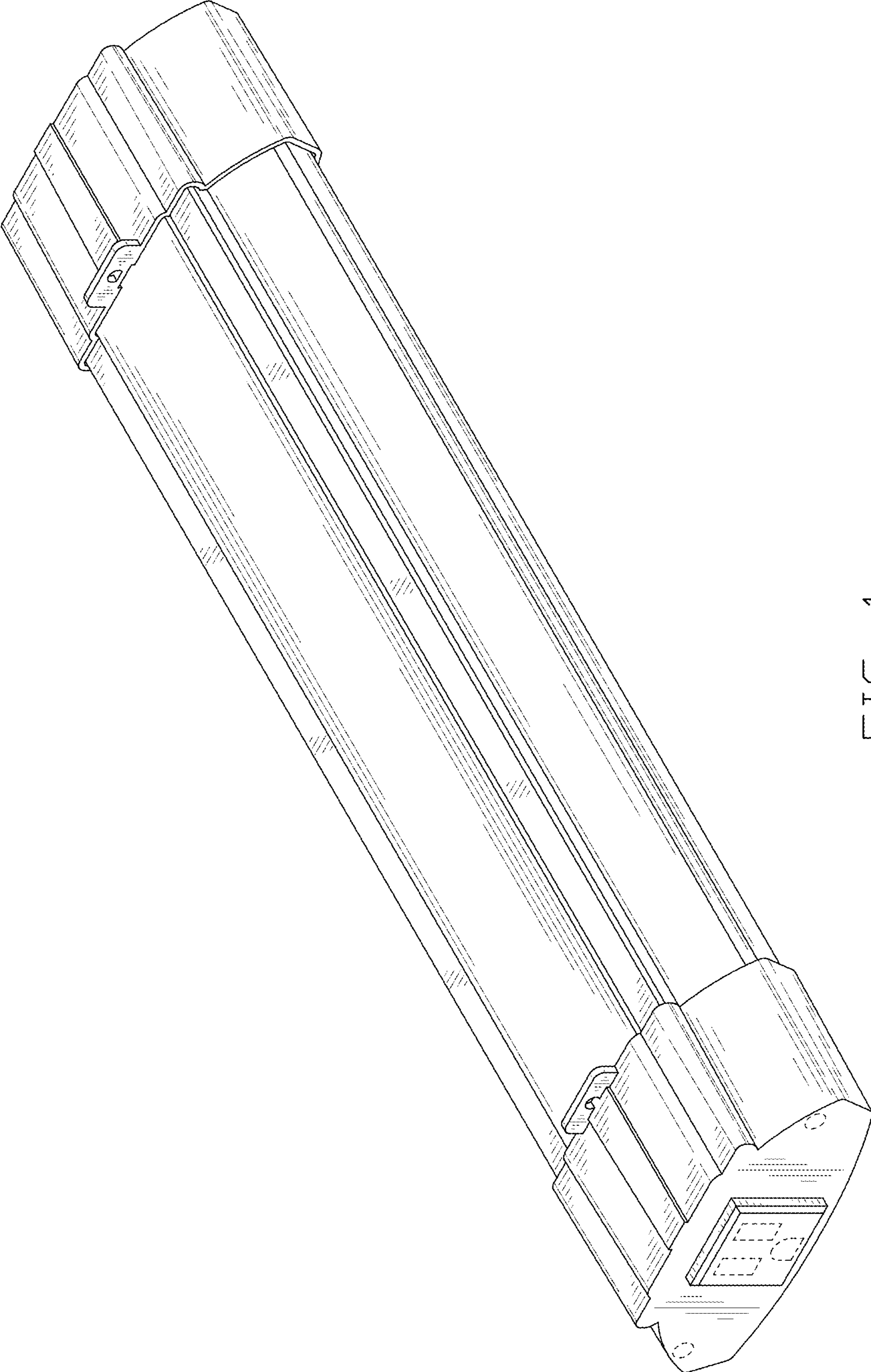


FIG. 1

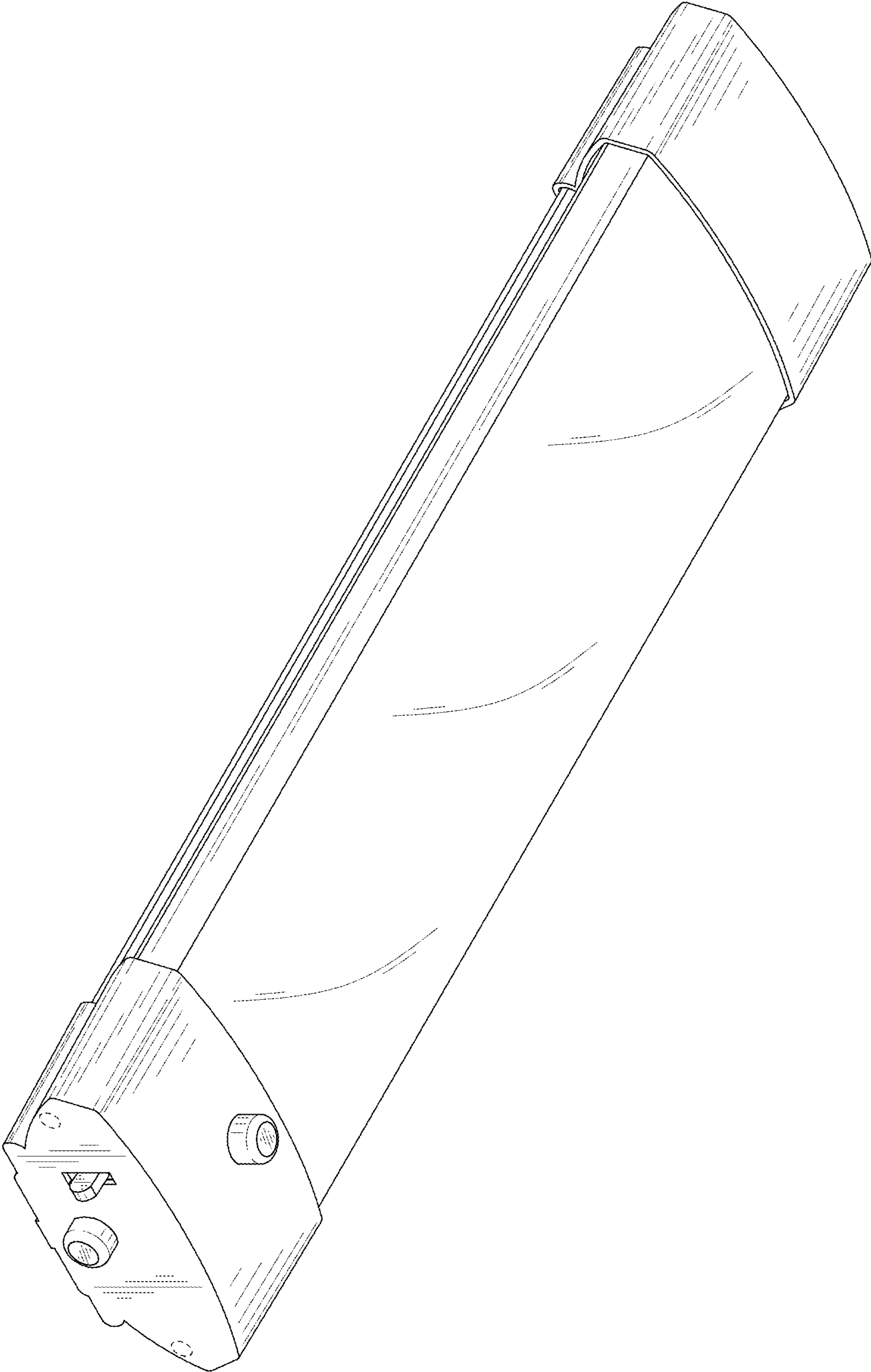


FIG. 2

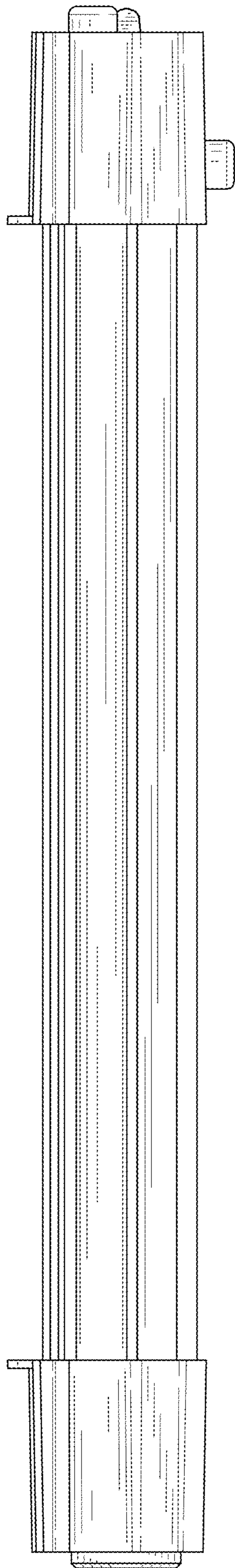


FIG. 3

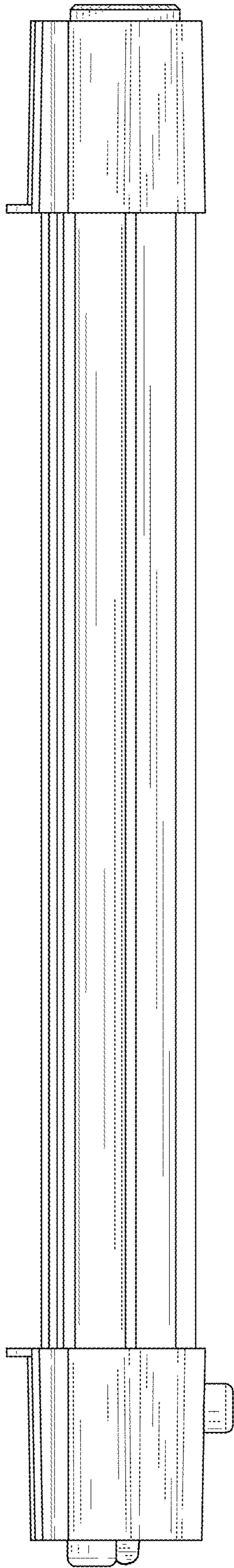


FIG. 4

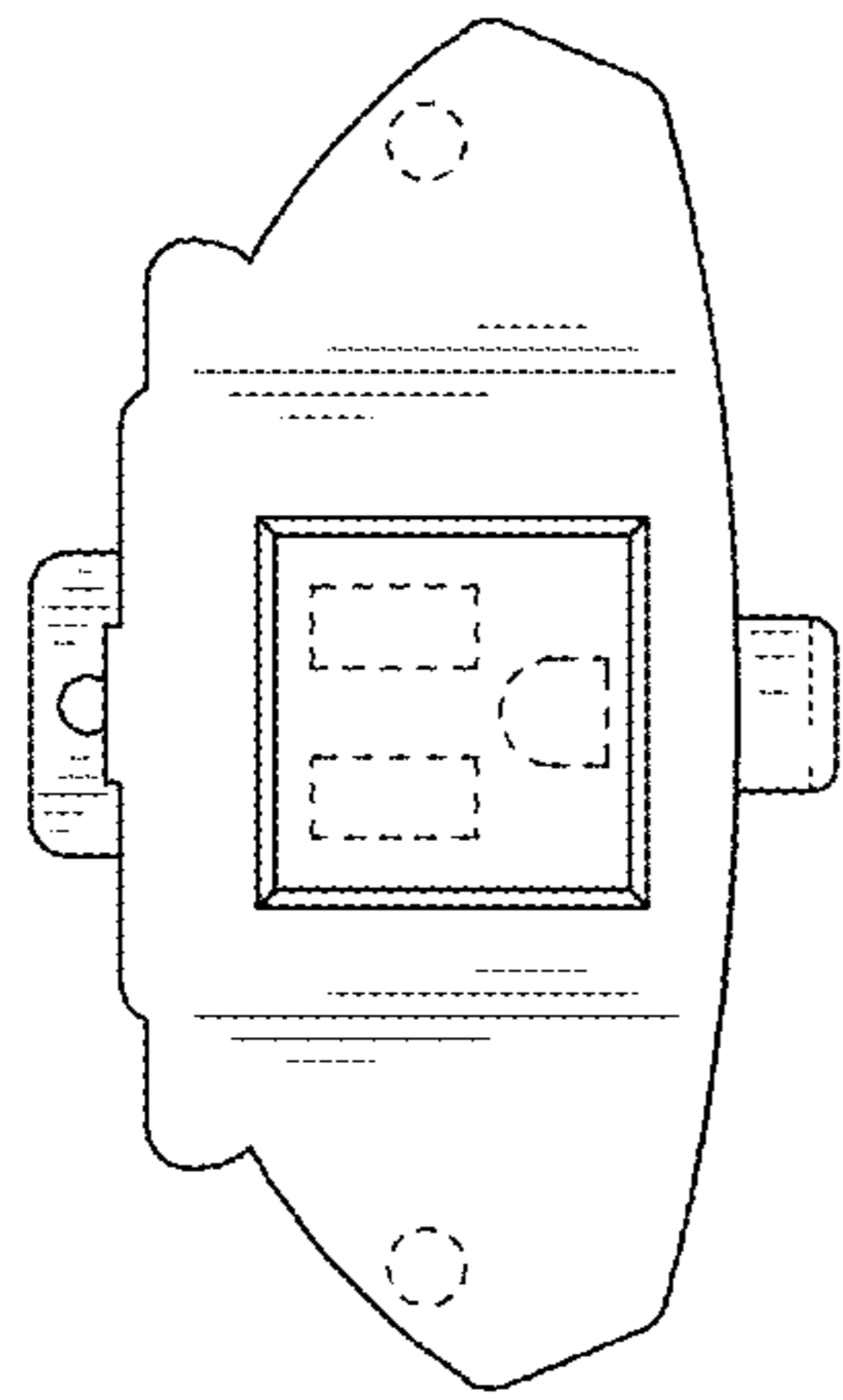


FIG. 5

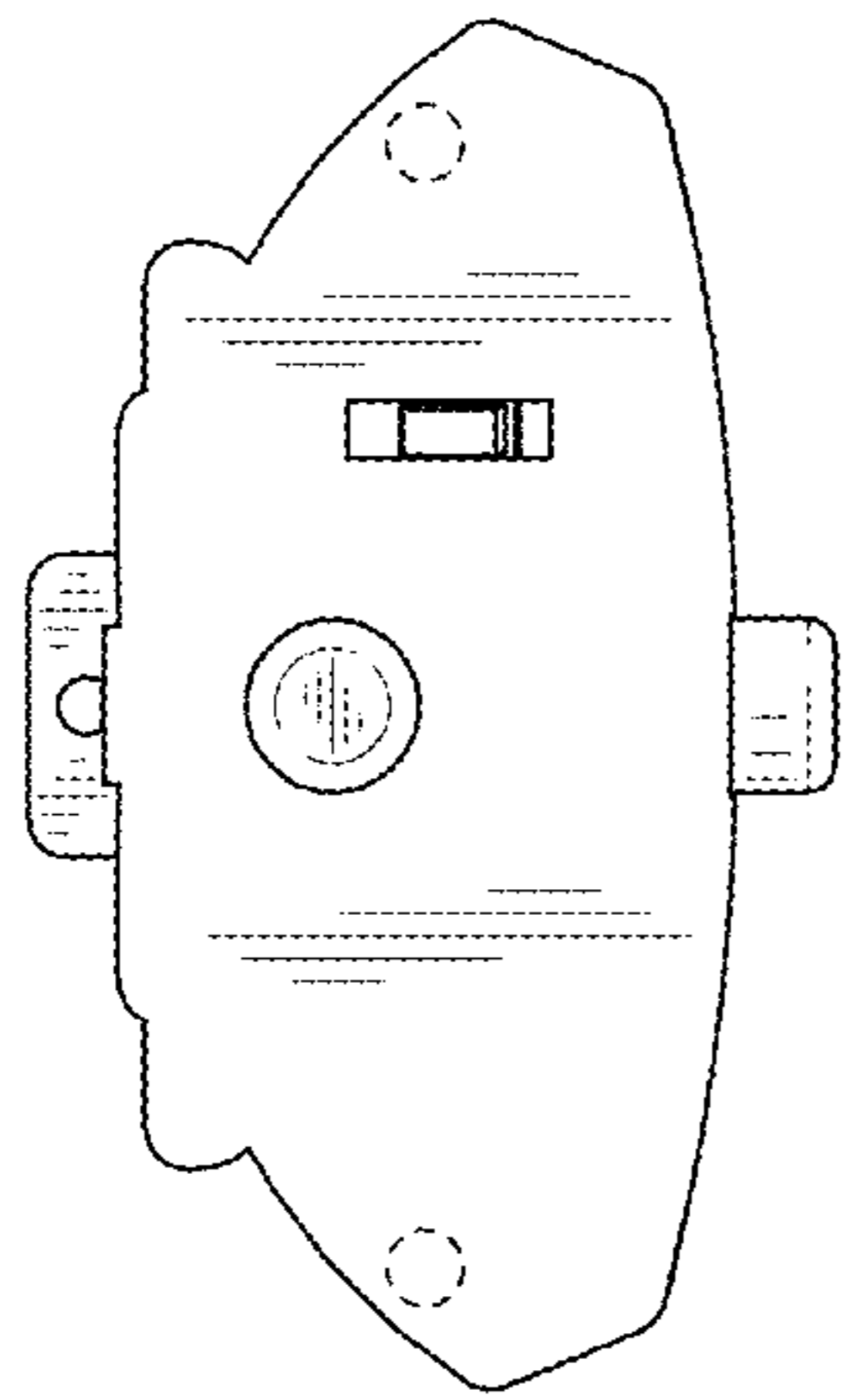


FIG. 6

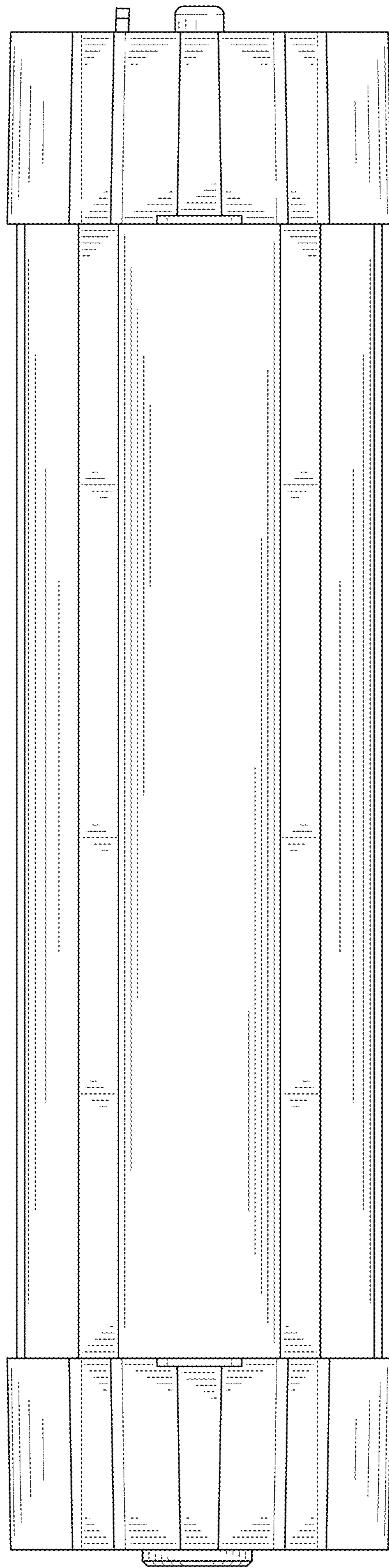


FIG. 7

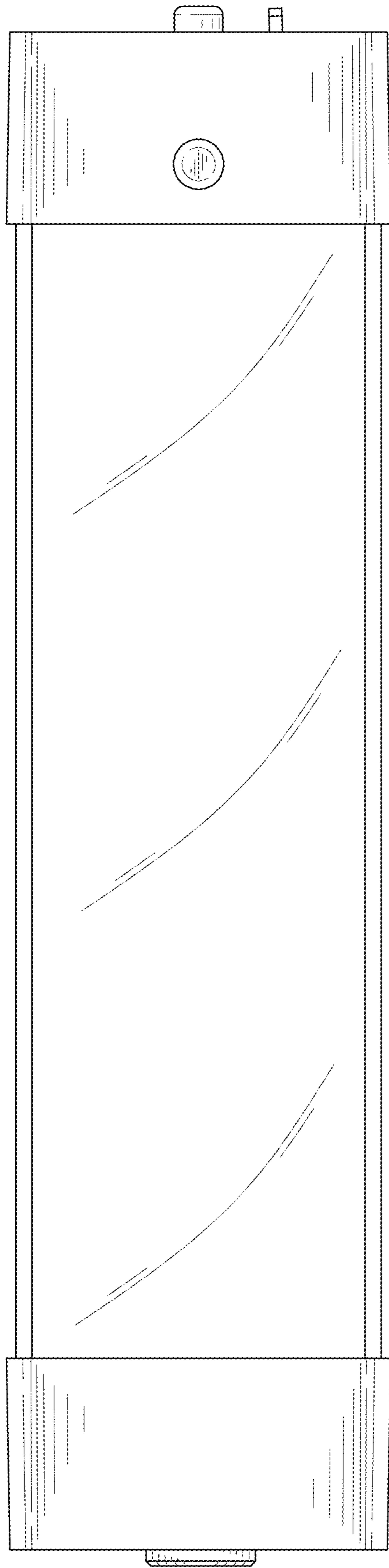


FIG. 8