



US00D975905S

(12) **United States Design Patent**  
**Zhou**

(10) **Patent No.:** **US D975,905 S**  
(45) **Date of Patent:** **\*\* Jan. 17, 2023**

(54) **SOLAR LIGHT**

(71) Applicant: **Xinsheng Zhou**, Zhumadian (CN)

(72) Inventor: **Xinsheng Zhou**, Zhumadian (CN)

(\*\*) Term: **15 Years**

(21) Appl. No.: **29/842,239**

(22) Filed: **Jun. 10, 2022**

(51) **LOC (14) Cl.** ..... **26-05**

(52) **U.S. Cl.**  
USPC ..... **D26/72; D26/85**

(58) **Field of Classification Search**  
USPC ..... D26/29, 51, 52, 61, 67, 72, 73, 76,  
D26/85-93, 118, 120, 142; D10/106.8;  
D16/203  
CPC .... F21S 8/03; F21S 8/033; F21S 8/036; F21S  
8/037; F21S 9/022; F21S 9/024; F21S  
9/03; F21S 9/037; F21V 33/0076; F21W  
2121/004; F21W 2131/107; G08B 13/193  
See application file for complete search history.

(56) **References Cited**

U.S. PATENT DOCUMENTS

D304,091 S	*	10/1989	Fuller	.....	D26/72
D339,079 S	*	9/1993	Behlke	.....	D10/106.6
D782,720 S	*	3/2017	Moghal	.....	D26/72
D788,625 S	*	6/2017	Hsieh	.....	D10/70
D803,456 S	*	11/2017	Yang	.....	D26/85
D805,236 S	*	12/2017	Exley	.....	D26/85
D829,956 S		10/2018	Liu	.....	
D870,952 S	*	12/2019	Tan	.....	D26/85
D917,759 S	*	4/2021	Zhou	.....	D26/72
D938,638 S	*	12/2021	Chen	.....	D26/85
D939,753 S		12/2021	Chen	.....	
D940,941 S	*	1/2022	Wu	.....	D26/72
D940,946 S	*	1/2022	Xu	.....	D26/72
D950,828 S	*	5/2022	Kong	.....	D26/85

FOREIGN PATENT DOCUMENTS

GB 6216159 \* 6/2022

OTHER PUBLICATIONS

Lightess Solar Stair Lights. Jul. 2, 2015. Site visited Sep. 30, 2022. [https://www.amazon.com/Lightess-Lights-Outdoor-Lighting-Stainless/dp/B0153413K6/ref=sr\_1\_49\_sspa?crd=2WU2XMWYJZQUL&keywords=solar%2Bwall%2Bor%2Bstep%2Blight%2Brectangular%2BRounded%2Btop&qid=1664579099&sprefix=solar%2Bwall%2Bor%2BsTep%2Blight%2Brectangular%2BRounded%2Btop%2Caps%2C101&sr=8-49-spons&spLa=ZW5jcmlwdGVkUXVhbGlmaWVyPUEzR0pUN0dUUzVDQU5VJmVuY3J5cHRIZEikPUEwNDIxOTMyMzFDWFU2SVI4VVIEQiZlbnNyeXB0ZWZlbnRZEikPUEwMjU2MjgyVUUhYRzY5SUw2QUwxJndpZGdldE5hbWU9c3BfYnRmJmFjdGlvbj1jbGlja1JIZGIyZWNoJmRvTm90TG9nQ2xpY2s9dHJIZQ&th=1] (Year: 2015).\*

Jhbox Solar LED Wall Lights. Oct. 19, 2021. Site visited Sep. 30, 2022. [https://www.amazon.com/JHBOX-Decorative-Backyard-Lighting-Decorations/dp/B09JSSWKQR/ref=sr\_1\_11?crd=2ONHR2MU9QOB&keywords=solar%2Bwall%2Bbracket%2Blight%2Brectangular%2BRounded%2Btop&qid=1664584168&sprefix=solar%2Bwall%2Bbracket%2Blight%2Brectangular%2BRounded%2Btop%2Caps%2C86&sr=8-11&th=1] (Year: 2021).\*

Jhbox Solar Wall Lights. Aug. 29, 2021. Site visited Sep. 30, 2022. [https://www.amazon.com/JHBOX-Waterproof-Outdoor-Exterior-Fixture/dp/B099DRN76P/ref=sr\_1\_3?crd=2ONHR2MU9QOB&keywords=solar%2Bwall%2Bbracket%2Blight%2Brectangular%2BRounded%2Btop&qid=1664584168&sprefix=solar%2Bwall%2Bbracket%2Blight%2Brectangular%2BRounded%2Btop%2Caps%2C86&sr=8-3&th=1] (Year: 2021).\*

\* cited by examiner

*Primary Examiner* — Wendy L Arminio  
*Assistant Examiner* — Maheen Khurshid  
(74) *Attorney, Agent, or Firm* — Jeenam Park

(57) **CLAIM**

The ornamental design for a solar light, as shown and described.

**DESCRIPTION**

FIG. 1 is a perspective view of a solar light, showing my new design;  
FIG. 2 is a front view thereof;  
FIG. 3 is a rear view thereof;  
FIG. 4 is a left side view thereof;

(Continued)

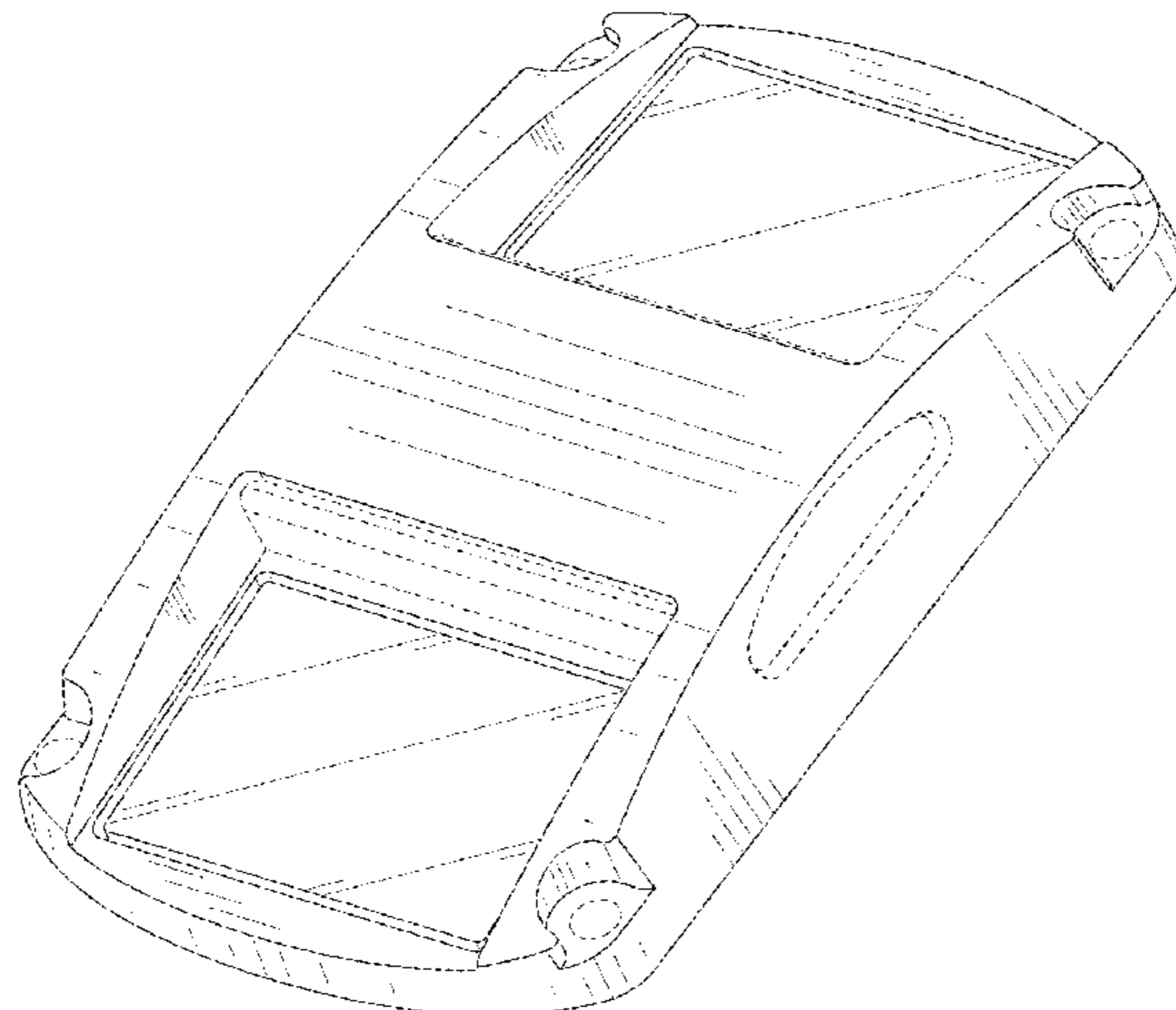


FIG. 5 is a right side view thereof;  
FIG. 6 is a top plan view thereof; and,  
FIG. 7 is a bottom plan view thereof.  
The broken lines depict portions of the solar light that form  
no part of the claimed design.

**1 Claim, 7 Drawing Sheets**

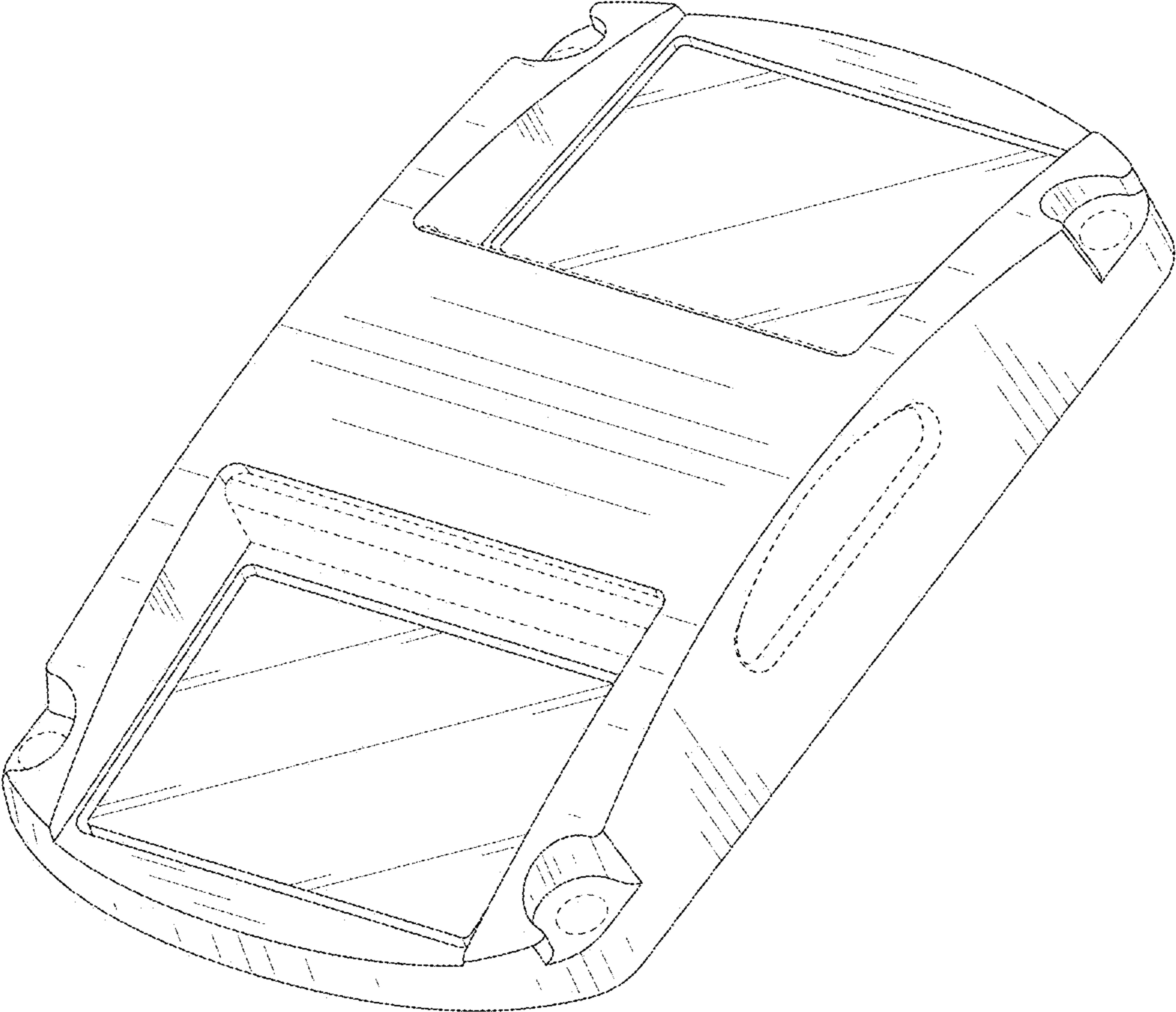


FIG. 1

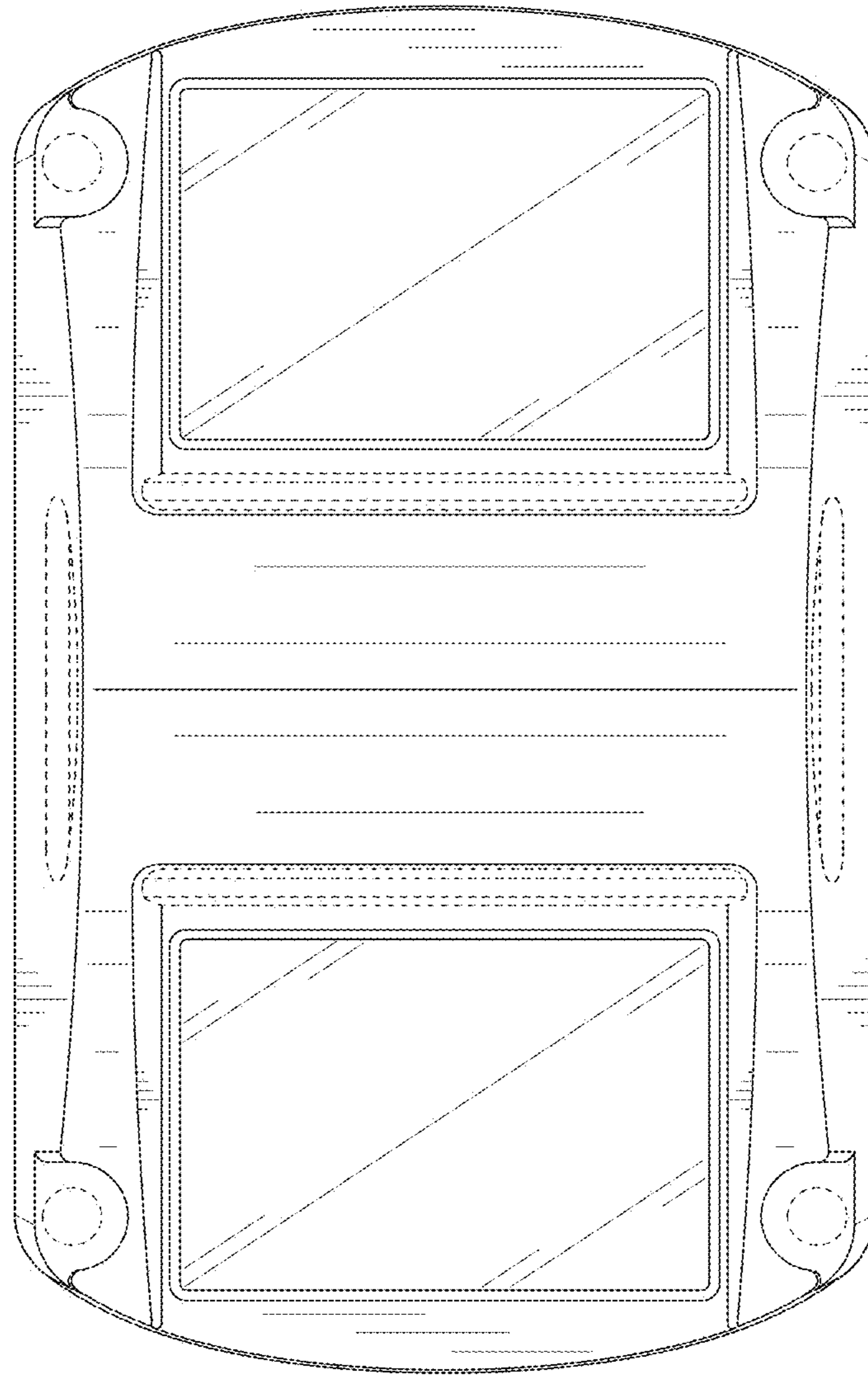


FIG. 2

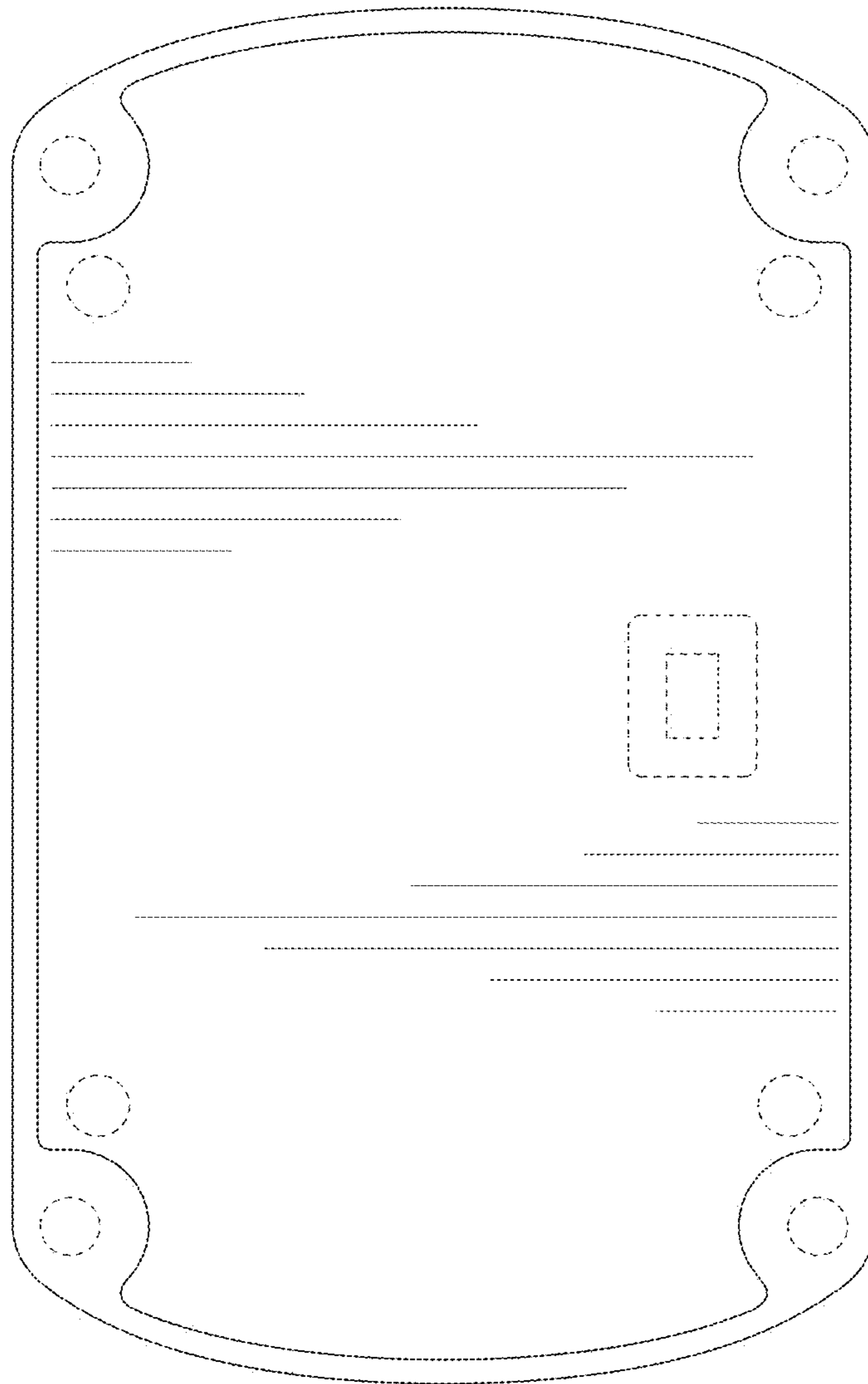


FIG. 3

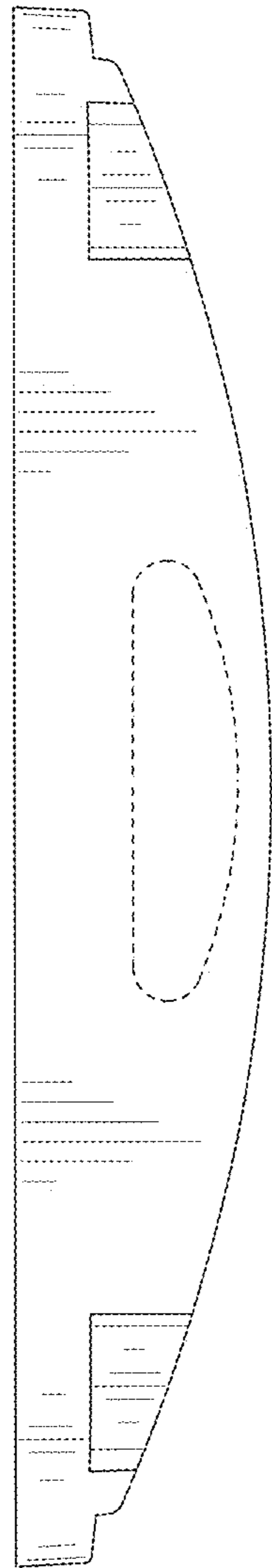


FIG. 4

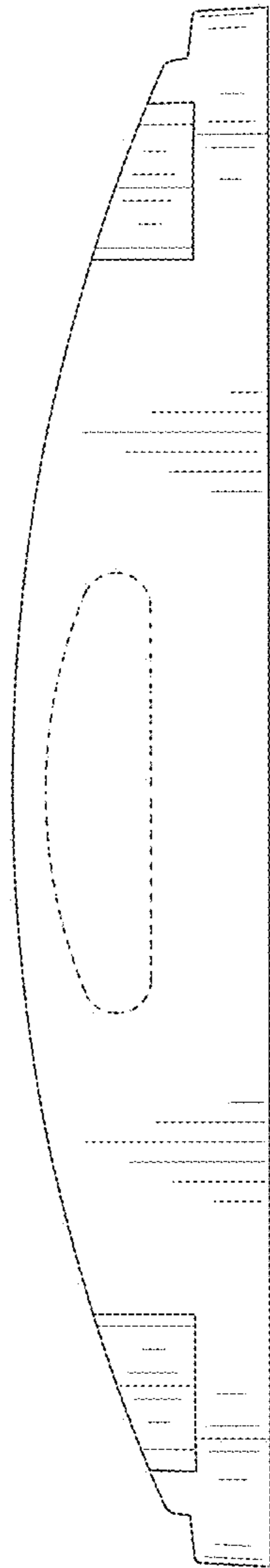


FIG. 5

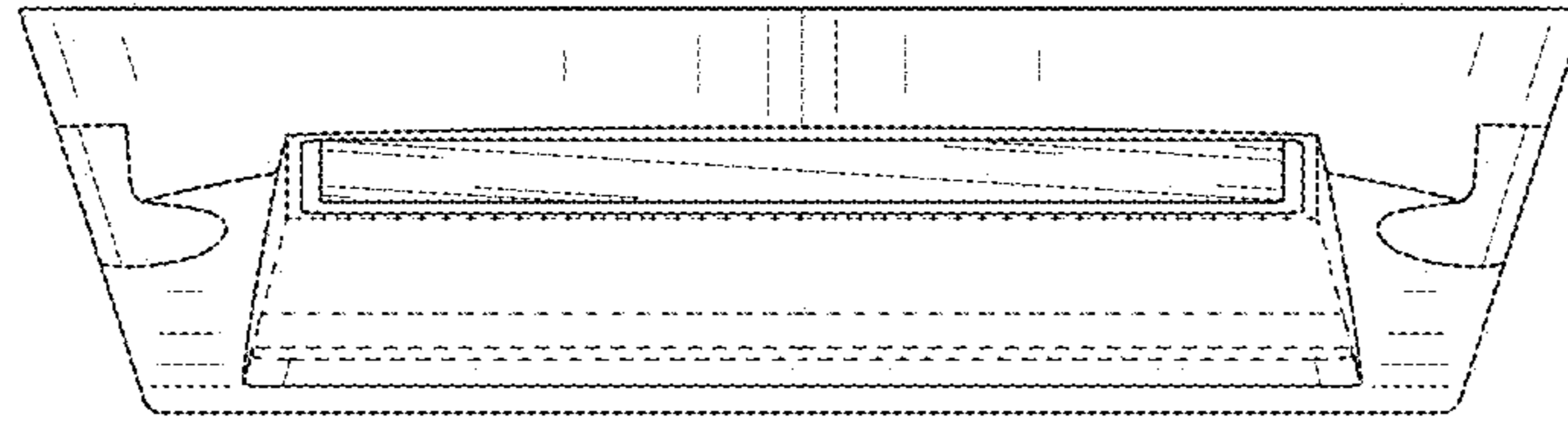


FIG. 6



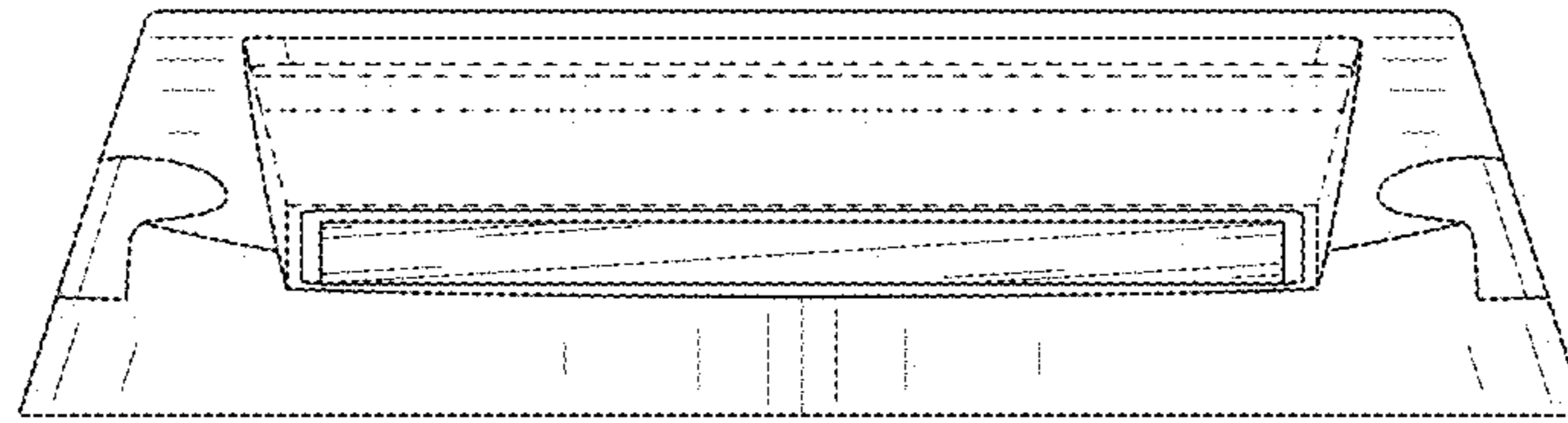


FIG. 7