



US00D975902S

(12) **United States Design Patent**
Li

(10) **Patent No.:** **US D975,902 S**
(45) **Date of Patent:** **** Jan. 17, 2023**

(54) **LANDSCAPE SPOT LIGHT**

(71) Applicant: **Qiangwu Li**, Hunan (CN)

(72) Inventor: **Qiangwu Li**, Hunan (CN)

(**) Term: **15 Years**

(21) Appl. No.: **29/794,692**

(22) Filed: **Jun. 15, 2021**

(51) **LOC (14) Cl.** **26-03**

(52) **U.S. Cl.**
USPC **D26/67**

(58) **Field of Classification Search**
USPC D26/61, 63, 67, 68, 113, 118
CPC .. F21S 8/081; F21S 8/083; F21S 8/088; F21S
9/03; F21S 9/035; F21S 9/037; F21V
21/0824; F21W 2111/023; F21W
2131/109

See application file for complete search history.

(56) **References Cited**

U.S. PATENT DOCUMENTS

D370,070 S *	5/1996	Kay	D26/63
D574,532 S *	8/2008	Lee	D26/63
D723,726 S *	3/2015	Reed	D26/63
D818,171 S *	5/2018	Brynjolfsson	D26/63
10,823,377 B1 *	11/2020	Hsu	F21V 19/02
D913,555 S *	3/2021	Harders	D26/63
D915,653 S *	4/2021	Hsu	F21V 19/02
				D26/63
D915,654 S *	4/2021	Hsu	D26/63

OTHER PUBLICATIONS

Hampton Bay | Low-Voltage 10-Watt Equivalent Black Outdoor Integrated LED Landscape Telescoping Spot Light, posted in 2017, © 2000-2022 Home Depot [online], [site visited Aug. 26, 2022]. Available from Internet, <URL: https://www.homedepot.com (See attached NPL Document for full URL address)> (Year: 2017).*
Volt Lighting | Volt® Max All-Star 120V Lamp-Ready Spotlight, posted on Sep. 14, 2018, © 2022 Volt® Lighting [online], [site visited Aug. 26, 2022]. Available from Internet, <URL: https://www.voltlighting.com/max-all-star-120v-lamp-ready-aluminum-spotlight-black?> (Year: 2018).*

* cited by examiner

Primary Examiner — Cary M Robinson
Assistant Examiner — Julie Marie Bailey

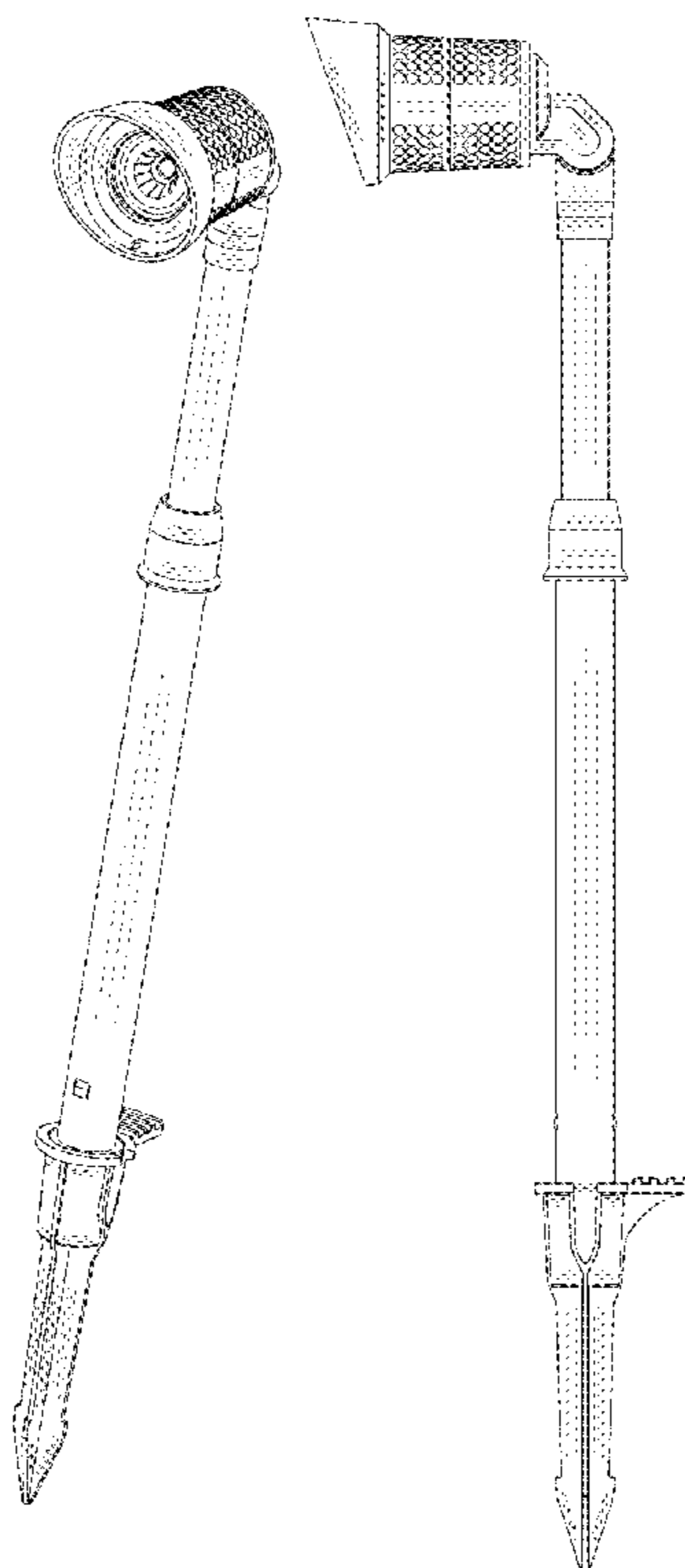
(57) **CLAIM**

The ornamental design for a landscape spot light, as shown and described.

DESCRIPTION

FIG. 1 is a perspective view of a landscape spot light showing my new design;
FIG. 2 is a front elevation view thereof;
FIG. 3 is a rear elevation view thereof;
FIG. 4 is a left side elevation view thereof;
FIG. 5 is a right side elevation view thereof;
FIG. 6 is a top plan view thereof, shown enlarged in scale; and,
FIG. 7 is a bottom plan view thereof, shown enlarged in scale.

1 Claim, 7 Drawing Sheets



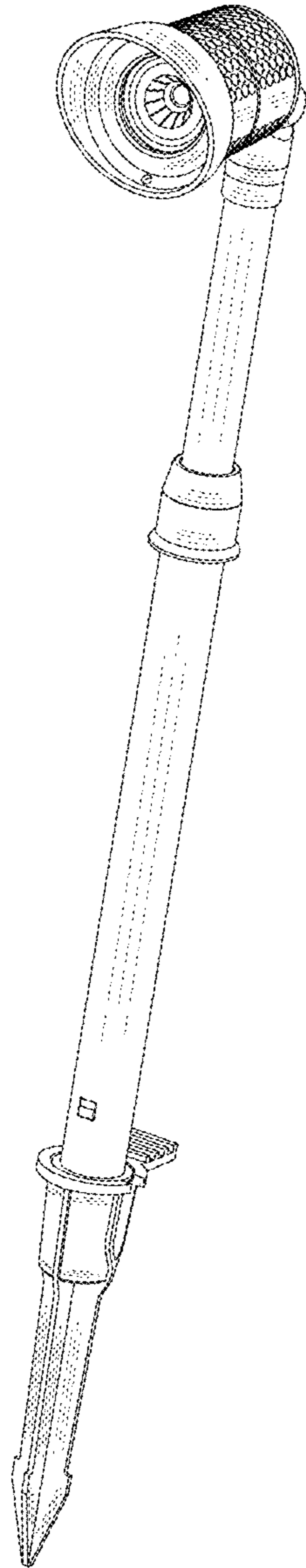


FIG. 1

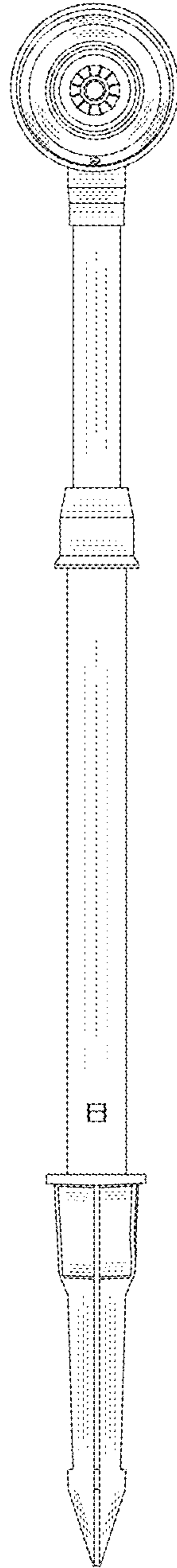


FIG.2

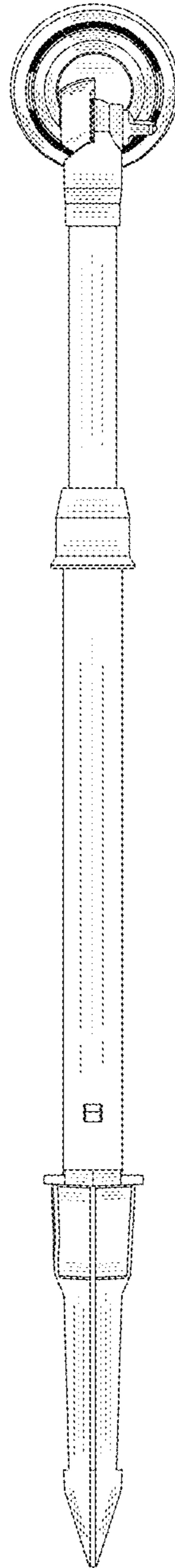


FIG.3

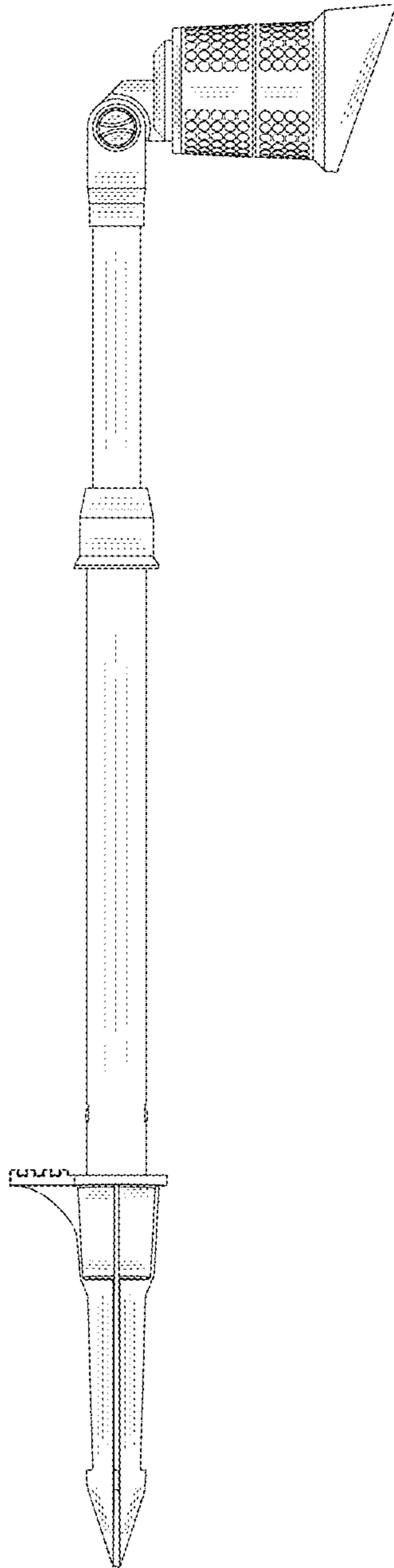


FIG.4

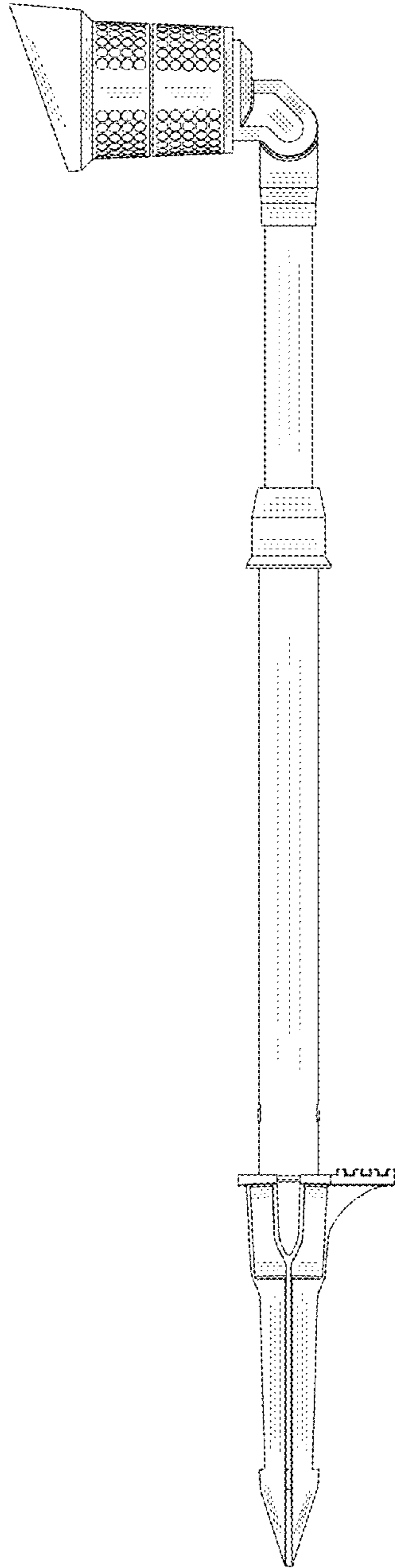


FIG.5

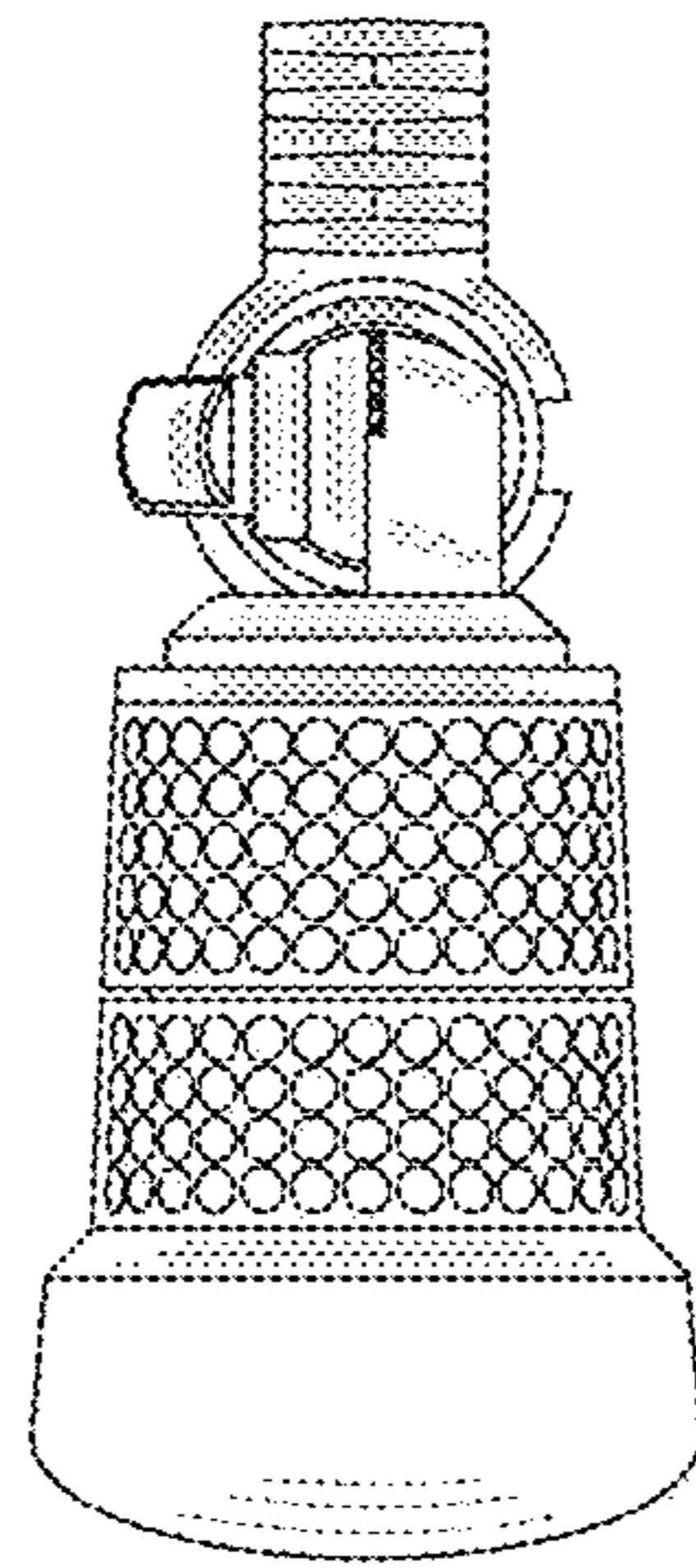


FIG.6

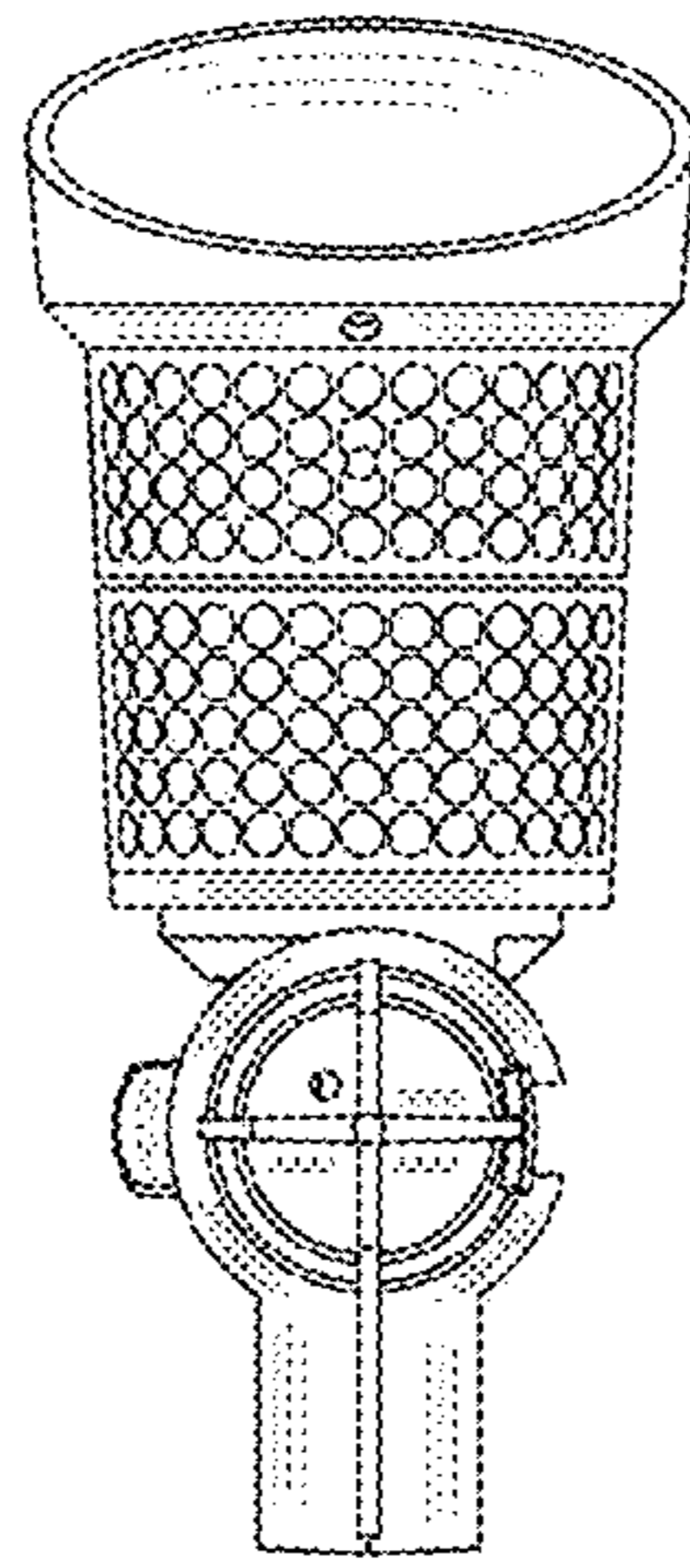


FIG. 7