

US00D975901S

(12) **United States Design Patent**
Tang

(10) **Patent No.:** **US D975,901 S**

(45) **Date of Patent:** **** Jan. 17, 2023**

(54) **GROUND INSERTED POLE SUPPORT**

(71) Applicant: **Housheng Tang**, Siping (CN)

(72) Inventor: **Housheng Tang**, Siping (CN)

(**) Term: **15 Years**

(21) Appl. No.: **29/766,186**

(22) Filed: **Jan. 14, 2021**

(51) **LOC (14) Cl.** **25-03**

(52) **U.S. Cl.**

USPC **D26/67**; D21/840

(58) **Field of Classification Search**

USPC D21/837, 839, 840; D8/349, 385, 387,
D8/388, 391, 392, 393; D26/67, 68, 93,
D26/138, 140, 142, 113

CPC E04H 15/32; E04H 15/34; E04H 15/005;
E04H 15/26; E04H 15/28; E04H 15/60;
E04H 15/62; E04H 2015/203; E04H
15/64; E04C 2002/047; F21V 21/0824;
F21V 21/26; F21W 2131/109

See application file for complete search history.

(56) **References Cited**

U.S. PATENT DOCUMENTS

- 839,822 A * 1/1907 Dunnington E02D 5/801
52/157
- D52,511 S * 10/1918 Groth D8/392
- 2,817,346 A * 12/1957 Whitney E04H 15/62
D30/154
- D235,849 S * 7/1975 Hagelberg D8/392
- D284,785 S * 7/1986 Lemkin D23/221
- D380,947 S * 7/1997 Adams D21/840
- 5,687,909 A * 11/1997 Dean B05B 15/622
239/276
- D481,444 S * 10/2003 Guo D23/221
- D574,532 S * 8/2008 Lee D26/63
- D777,965 S * 1/2017 Mirchandani D26/67
- D797,975 S * 9/2017 Lentine D26/67
- D798,484 S * 9/2017 Lentine D26/67
- D827,175 S * 8/2018 Yang D26/67

- D827,176 S * 8/2018 Mirchandani D26/67
- D836,233 S * 12/2018 Yang D26/67
- D837,430 S * 1/2019 Yang D26/67
- D837,431 S * 1/2019 Peng D26/63
- 10,168,010 B1 * 1/2019 Hsu F21S 6/005
- D848,046 S * 5/2019 Zhuo D26/67

(Continued)

FOREIGN PATENT DOCUMENTS

CN 214948735 U * 11/2021

OTHER PUBLICATIONS

Coleman 10-In. Steel Tent Stakes. Date First Available: Jul. 16, 2009. Retrieved from internet: <<https://www.amazon.com/Coleman-Steel-Nail-Tent-Count/dp/B002HU086C?th=1>> [site visited Sep. 12, 2022] (Year: 2009).*

(Continued)

Primary Examiner — Katherine Glennon
Assistant Examiner — Yuan Yuan
(74) *Attorney, Agent, or Firm* — Rumit Ranjit Kanakia

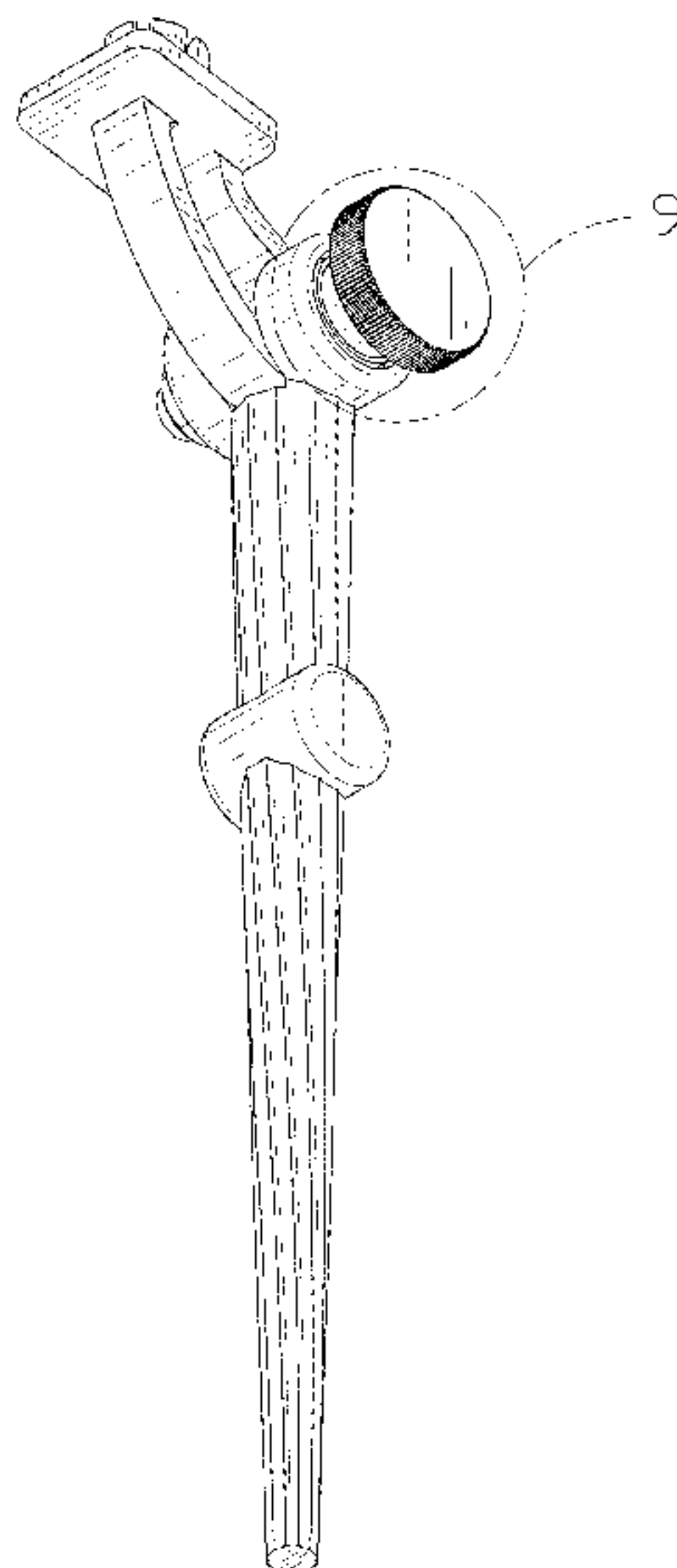
(57) **CLAIM**

The ornamental design for a ground inserted pole support, as shown and described.

DESCRIPTION

FIG. 1 is a first perspective view of a ground inserted pole support showing my new design;
FIG. 2 is a second perspective view thereof;
FIG. 3 is a front view thereof;
FIG. 4 is a back view thereof;
FIG. 5 is a left side view thereof;
FIG. 6 is a right side view thereof;
FIG. 7 is a top view thereof;
FIG. 8 is a bottom view thereof; and,
FIG. 9 is an enlarged view of the selected portion in FIG. 1.

1 Claim, 9 Drawing Sheets



(56)

References Cited

U.S. PATENT DOCUMENTS

D874,703	S *	2/2020	Wu	D26/63
D881,433	S *	4/2020	Chen	D26/67
D887,059	S *	6/2020	Liu	D26/67
D909,652	S *	2/2021	Wu	D26/63
11,019,710	B1 *	5/2021	Hsu	H05B 45/10
11,035,553	B1 *	6/2021	Hsu	F21V 21/30
D957,929	S *	7/2022	Kennedy	D8/395
2005/0099802	A1 *	5/2005	Lai	F21V 21/30
					362/153
2005/0103378	A1 *	5/2005	Pu	F21V 21/0824
					136/291
2016/0032612	A1 *	2/2016	Huang	E04H 15/62
					362/120
2017/0227200	A1 *	8/2017	Zhang	F21V 21/30
2018/0283663	A1 *	10/2018	Zhang	F21V 14/06
2022/0018506	A1 *	1/2022	Xiong	F21V 17/101

OTHER PUBLICATIONS

Solar Garden Stake Lights. Date First Available: May 27, 2021.
 Retrieved from internet: <<https://www.amazon.com/Outdoor-Decorative-Sunflower-Waterproof-Landscape/dp/B095YSS72J>> [site visited Sep. 16, 2022] (Year: 2021).*

* cited by examiner

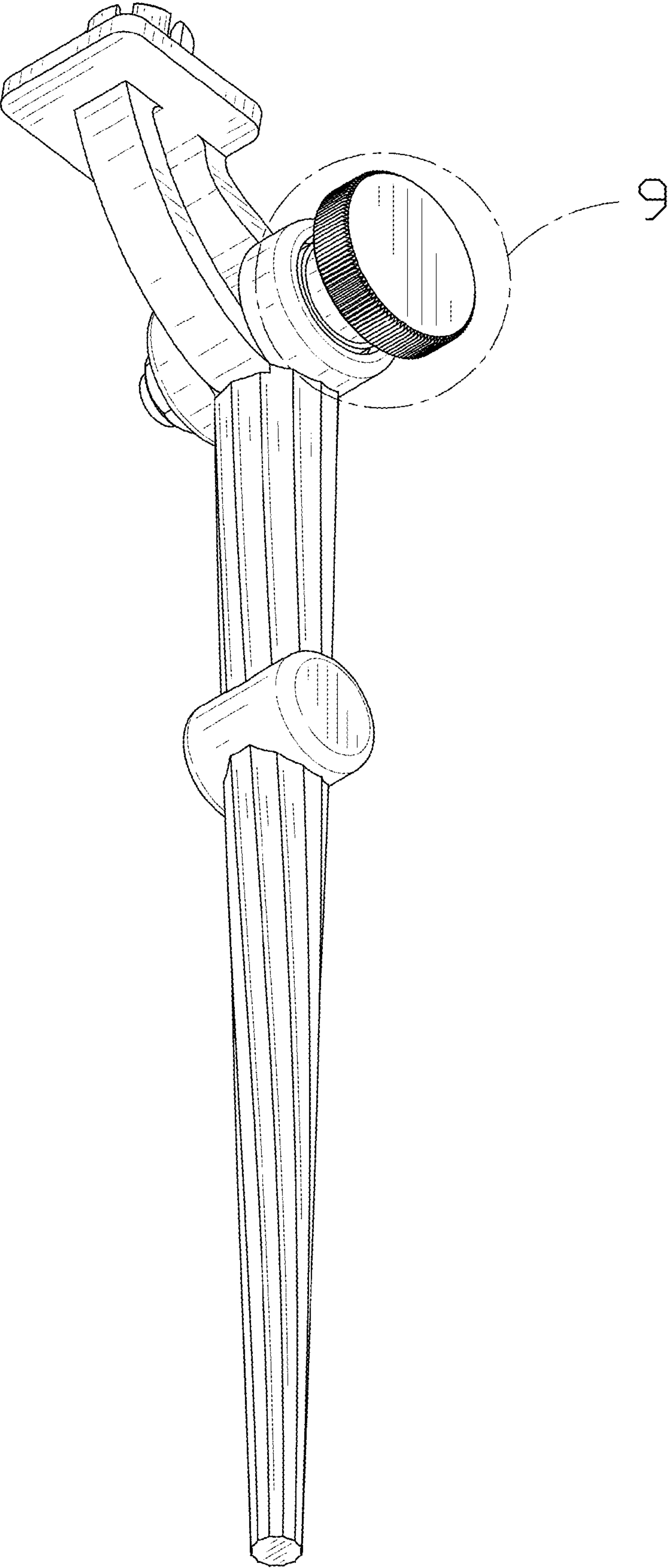


FIG. 1

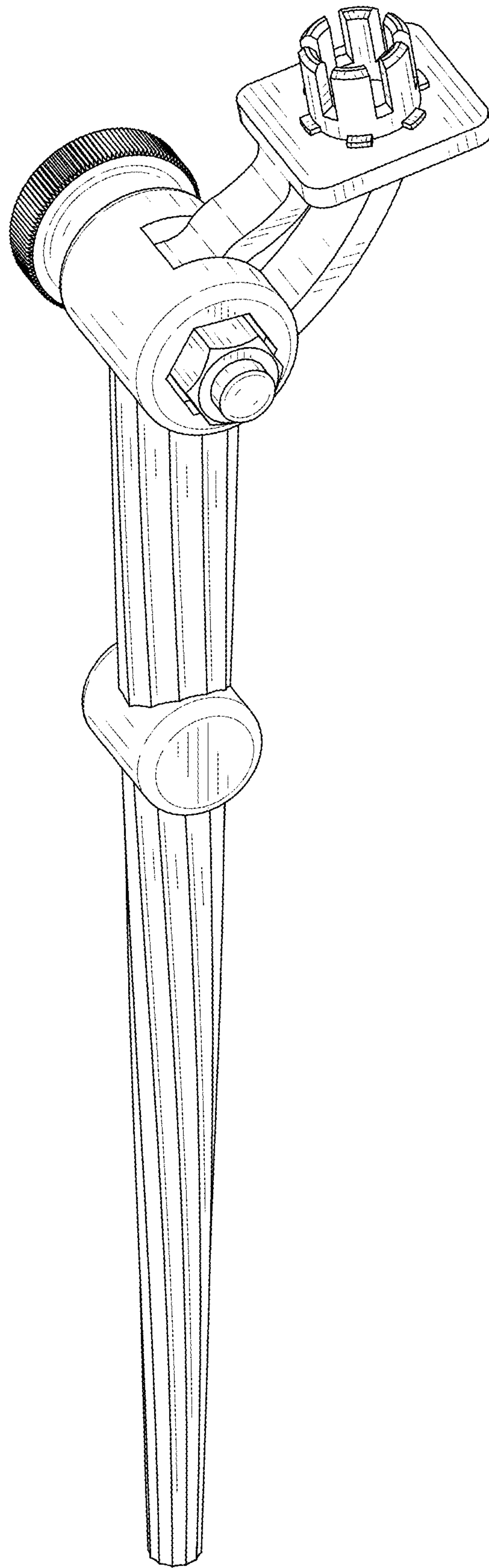


FIG. 2

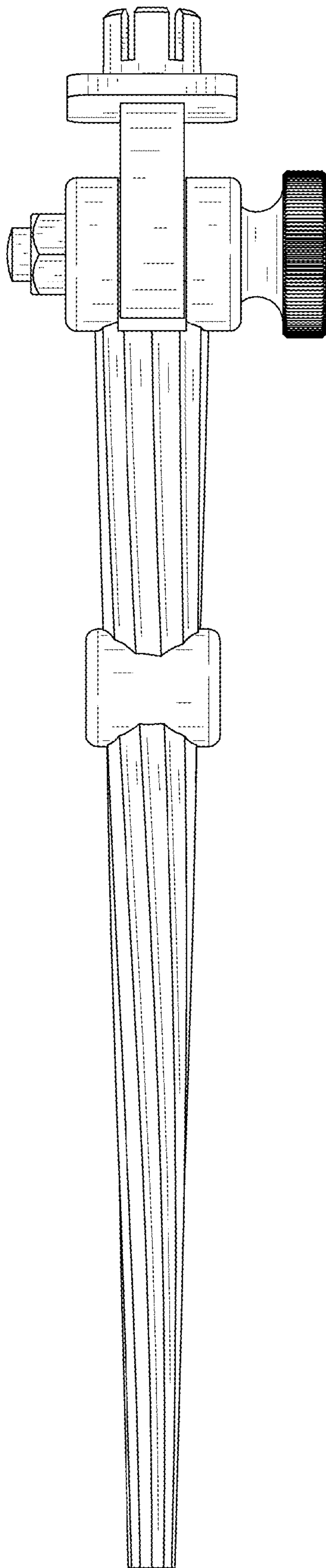


FIG. 3

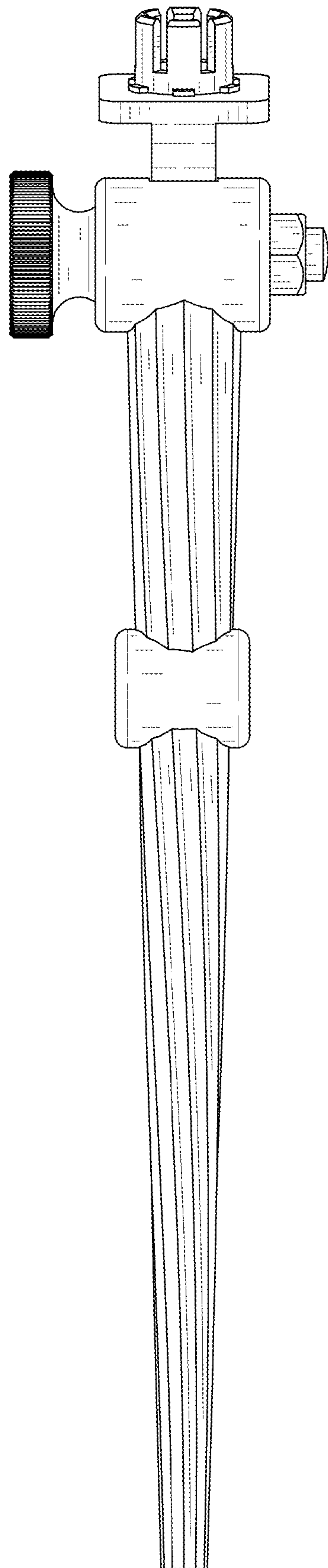


FIG. 4

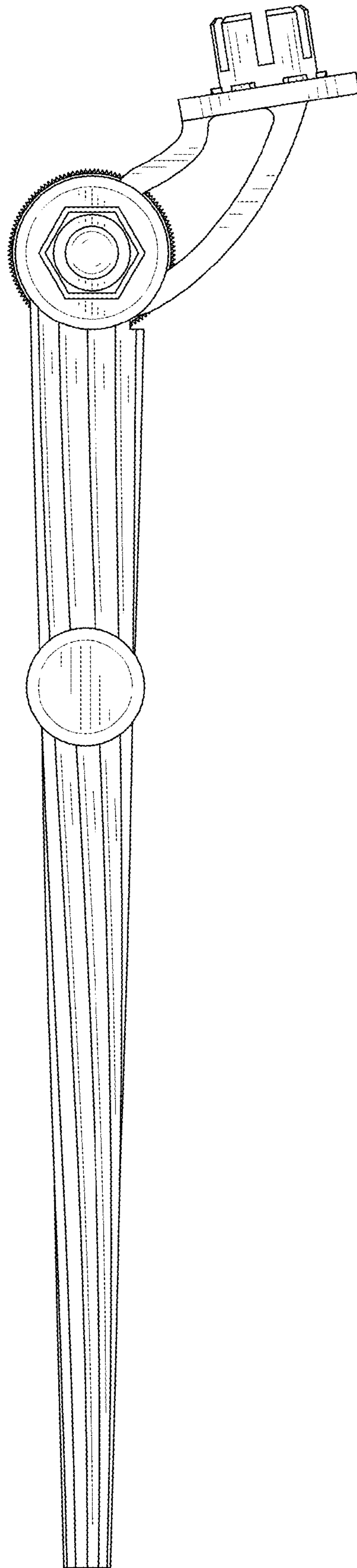


FIG. 5

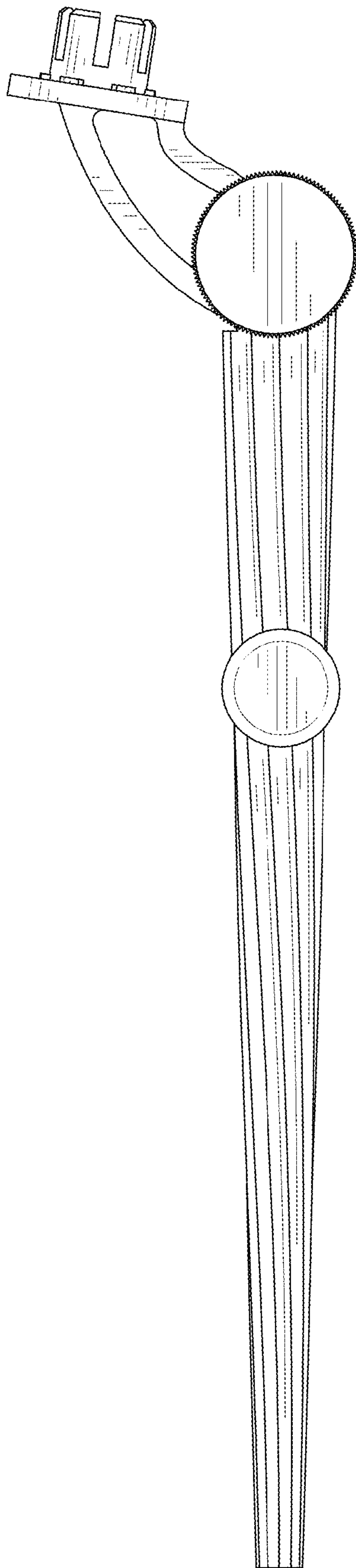


FIG. 6

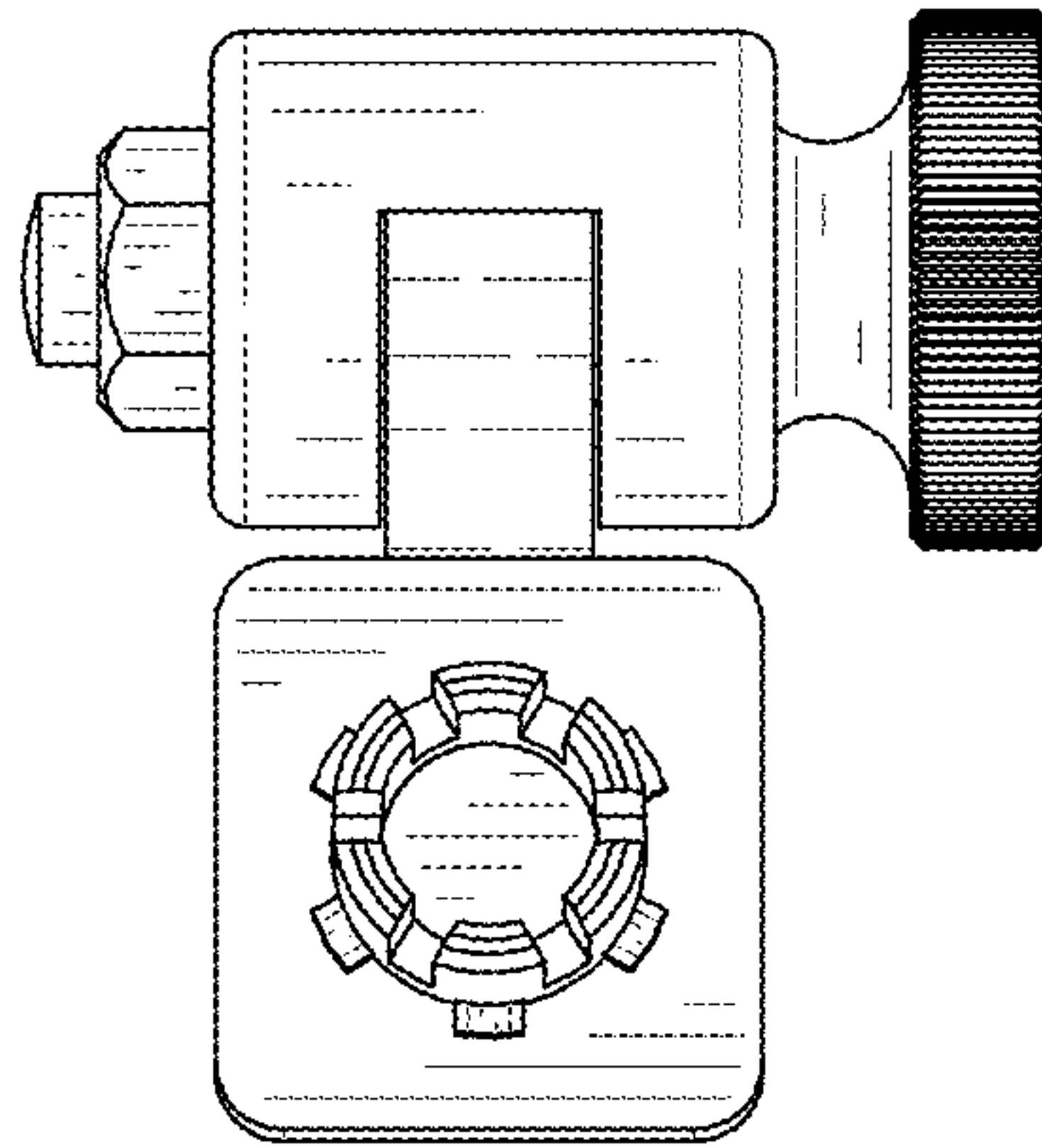


FIG. 7

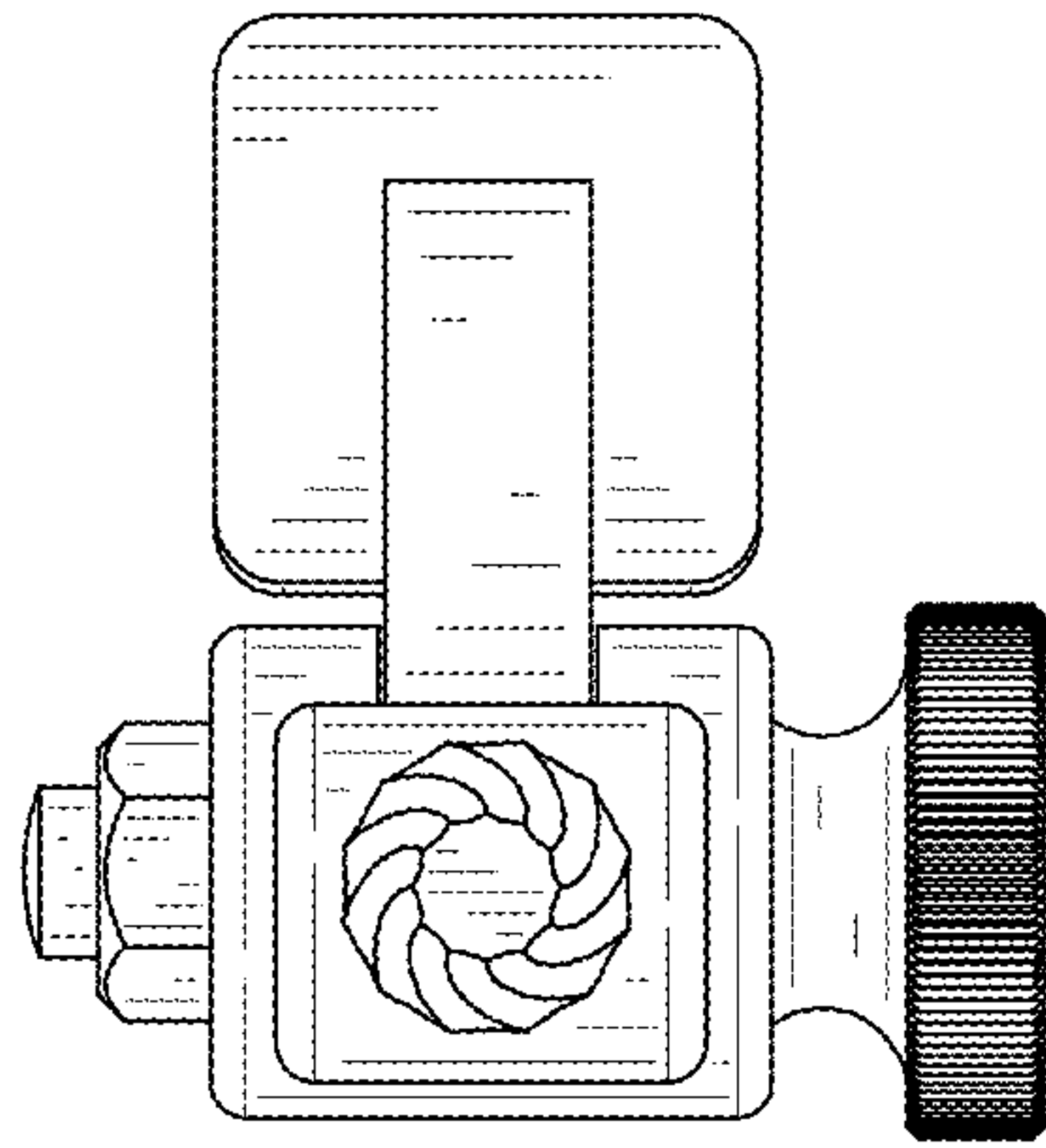


FIG. 8

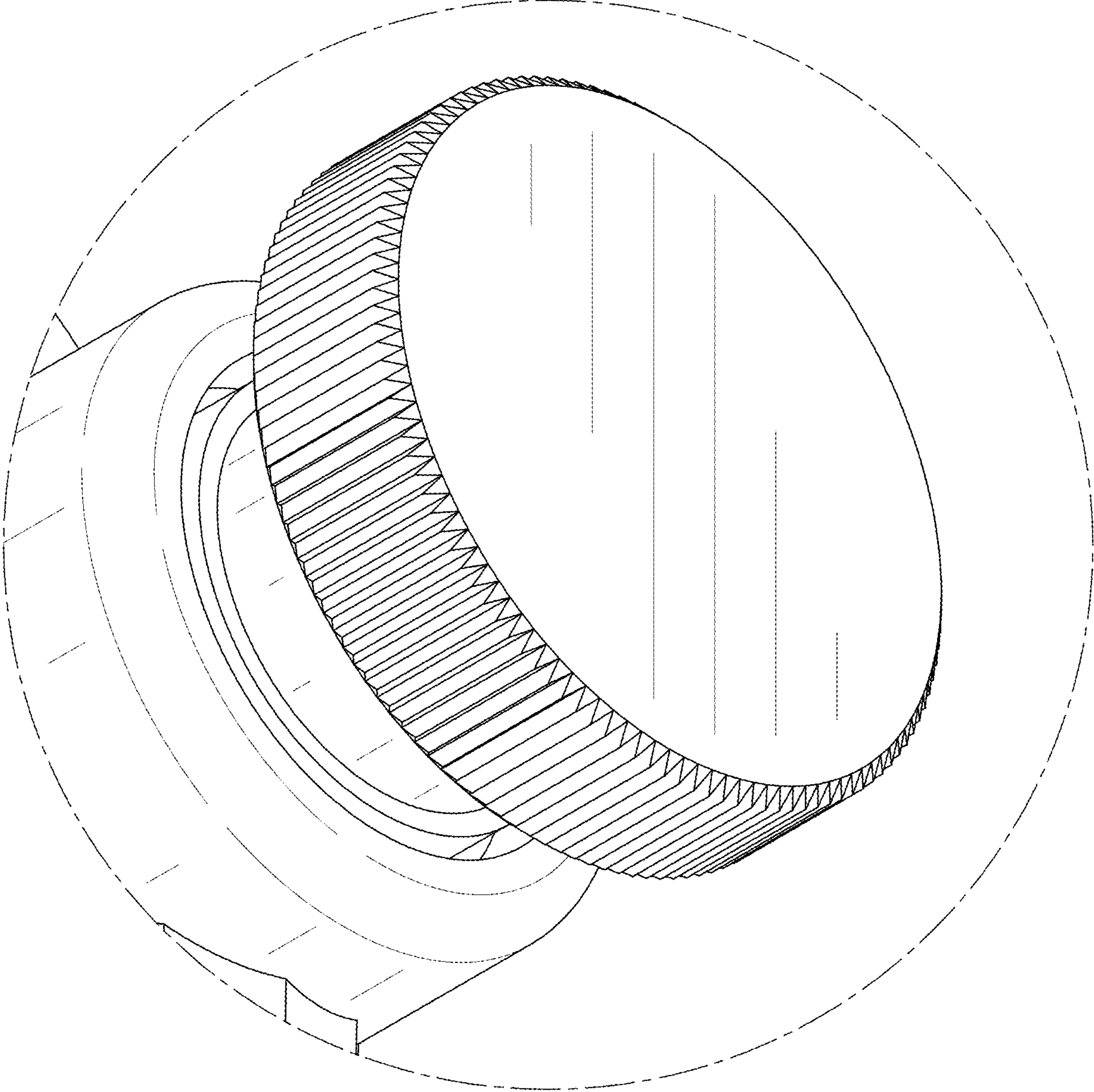


FIG. 9