

US00D975900S

(12) **United States Design Patent**  
**Zhang**

(10) **Patent No.:** **US D975,900 S**  
(45) **Date of Patent:** **\*\* Jan. 17, 2023**

(54) **WALL LAMP**

(71) Applicant: **Yuehui Zhang**, Sichuan (CN)

(72) Inventor: **Yuehui Zhang**, Sichuan (CN)

(\*\*) Term: **15 Years**

(21) Appl. No.: **29/803,824**

(22) Filed: **Aug. 16, 2021**

(51) **LOC (14) Cl.** ..... **26-05**

(52) **U.S. Cl.**  
USPC ..... **D26/63**

(58) **Field of Classification Search**  
USPC .... D26/63, 106, 3, 13, 110, 102, 67, 65, 64,  
D26/62, 61  
CPC ..... F21V 17/12; F21V 23/06; F21V 21/02  
See application file for complete search history.

(56) **References Cited**

U.S. PATENT DOCUMENTS

D203,932 S *	3/1966	Stahl	.....	D16/221
D369,429 S *	4/1996	Huang	.....	D26/102
D387,457 S *	12/1997	Bennett	.....	D26/62
D436,206 S *	1/2001	Huang	.....	D26/65
D467,378 S *	12/2002	Wang	.....	D26/65
D517,714 S *	3/2006	Monroe	.....	D26/65
D689,645 S *	9/2013	Stathis	.....	D26/65
D704,377 S *	5/2014	Schaak	.....	D26/155
D764,089 S *	8/2016	Gelman	.....	D26/62
D804,073 S *	11/2017	Fan	.....	D26/65
D843,552 S *	3/2019	Petruccelli	.....	D23/337
D886,355 S	6/2020	Chen		
D889,014 S	6/2020	Yin		
D956,299 S *	6/2022	Zhu	.....	D26/63

OTHER PUBLICATIONS

Modern 2-Lights Swing Arm Wall Sconce Plug in Rotatable Black Wall Lights, dated Sep. 18, 2020, [online], [site visited Aug. 30,

2022]. Available from Internet, URL: <https://www.amazon.com/Modern-2-Lights-Sconce-Rotatable-Bedroom/dp/B095NKZS4W/> (Year: 2020).\*

LITFAD 2-Lights Living Room Wall Sconce with Curved Metallic Shade, dated Dec. 30, 2020, [online], [site visited Aug. 30, 2022]. Available from Internet, URL: <https://www.amazon.com/LITFAD-2-Lights-Metallic-Mounted-Fixtures/dp/B08RN16LCQ?th=1> (Year: 2020).\*

\* cited by examiner

*Primary Examiner* — Shawn T Gingrich  
*Assistant Examiner* — Kathryn Elizabeth Chambers  
(74) *Attorney, Agent, or Firm* — ScienBiziP, P.C.

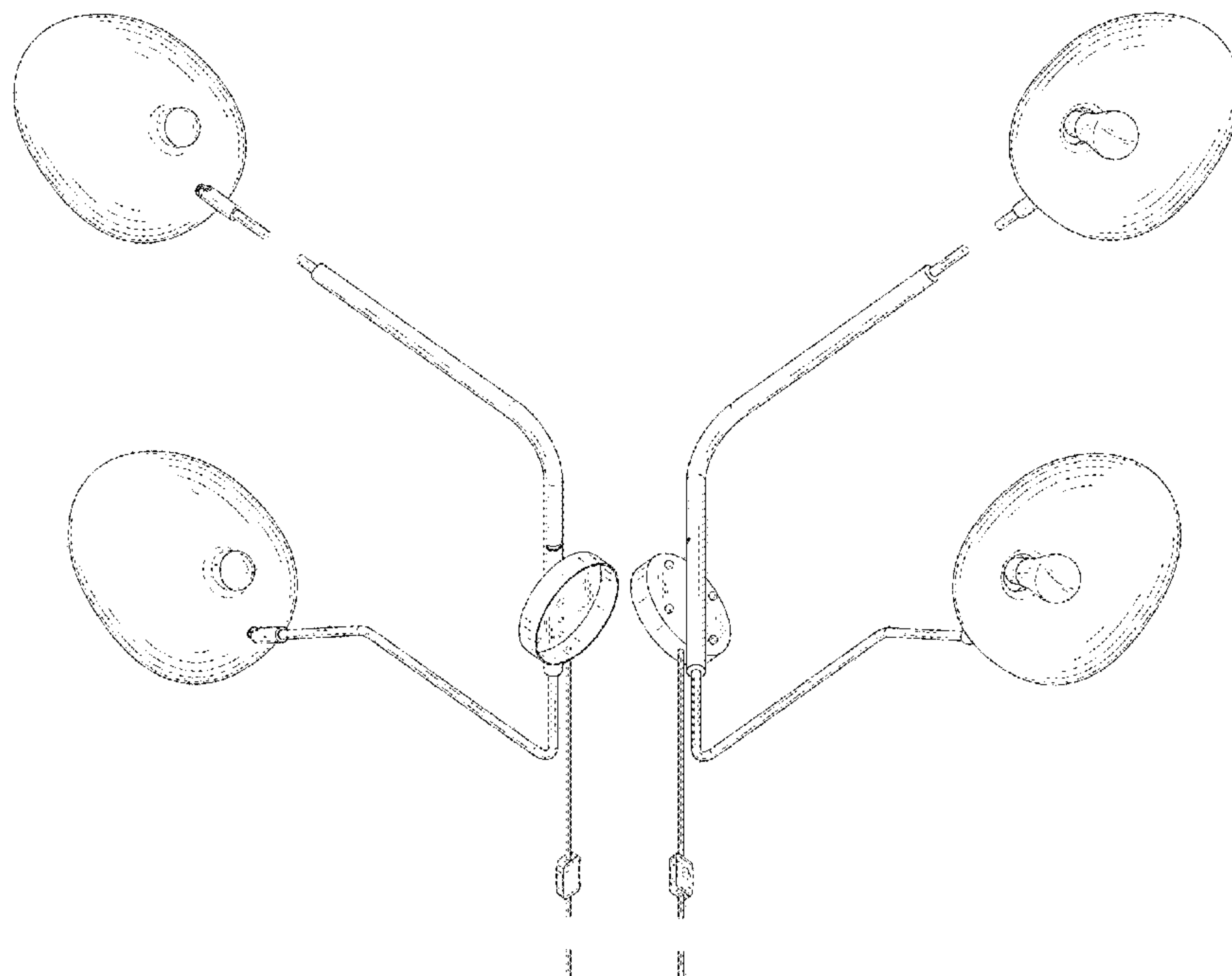
(57) **CLAIM**

The ornamental design for a wall lamp, as shown and described.

**DESCRIPTION**

FIG. 1 is a front, right, and top perspective view of a wall lamp, showing my design.  
FIG. 2 is a rear, left, and bottom perspective view thereof.  
FIG. 3 is a front elevation view thereof.  
FIG. 4 is a rear elevation view thereof.  
FIG. 5 is a left side elevation view thereof.  
FIG. 6 is a right side elevation view thereof.  
FIG. 7 is a top plan view thereof; and,  
FIG. 8 is a bottom plan view thereof.  
The drawings include a separation and gap in the length of portions of the article which represents a symbolic break in length of the wall lamp. The appearance of any portion of the article between the break lines forms no part of the claimed design.

**1 Claim, 8 Drawing Sheets**



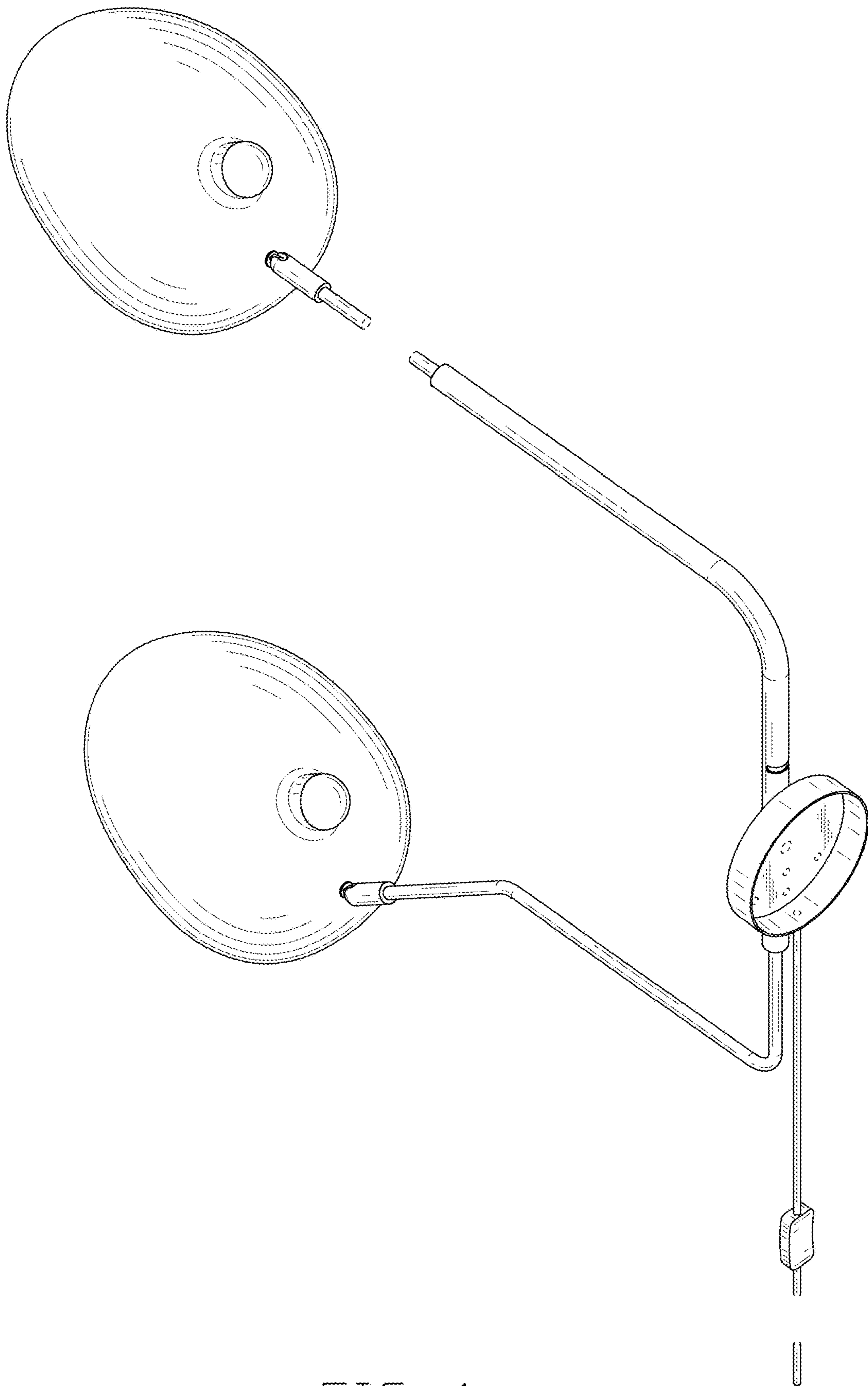


FIG. 1

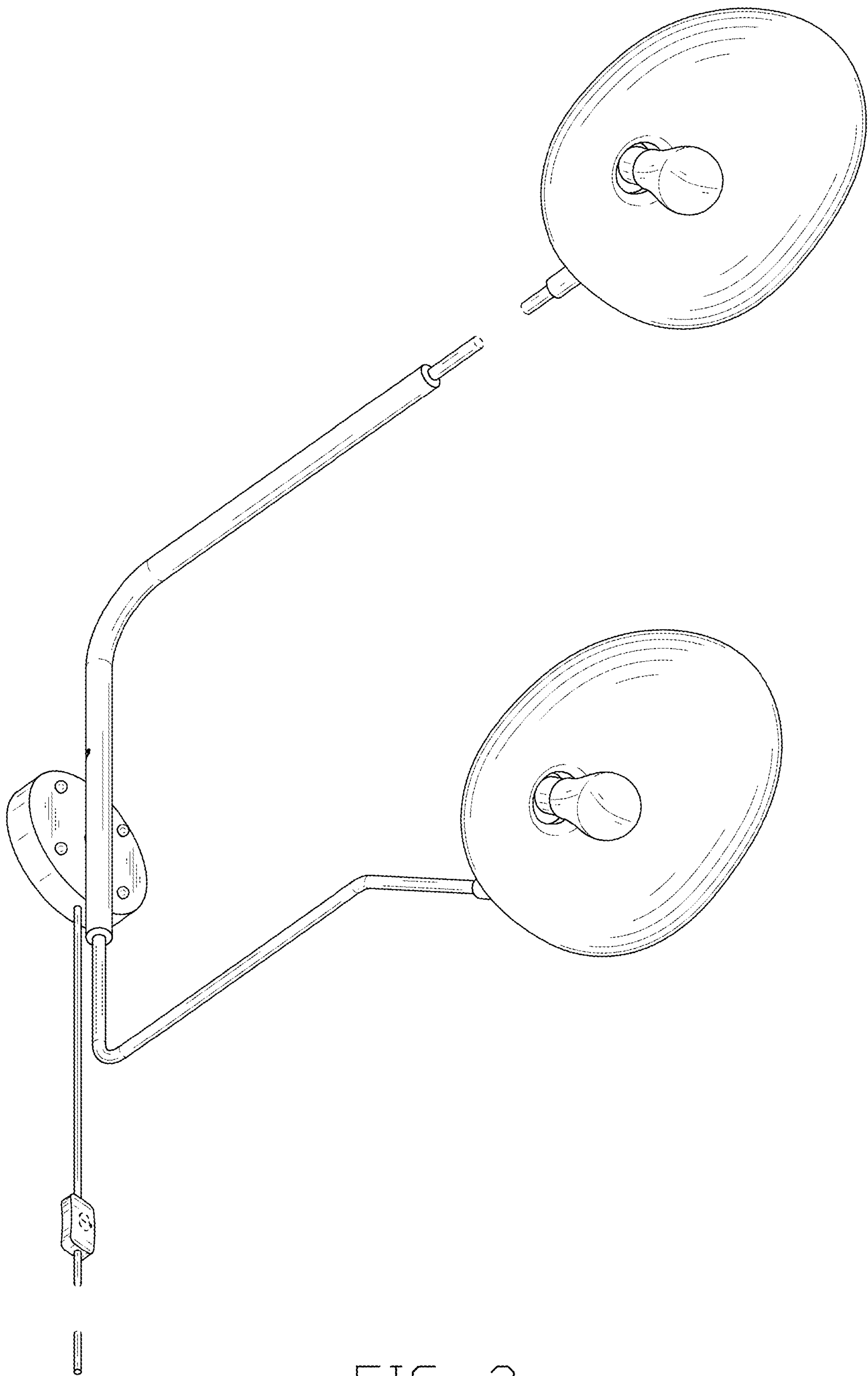


FIG. 2

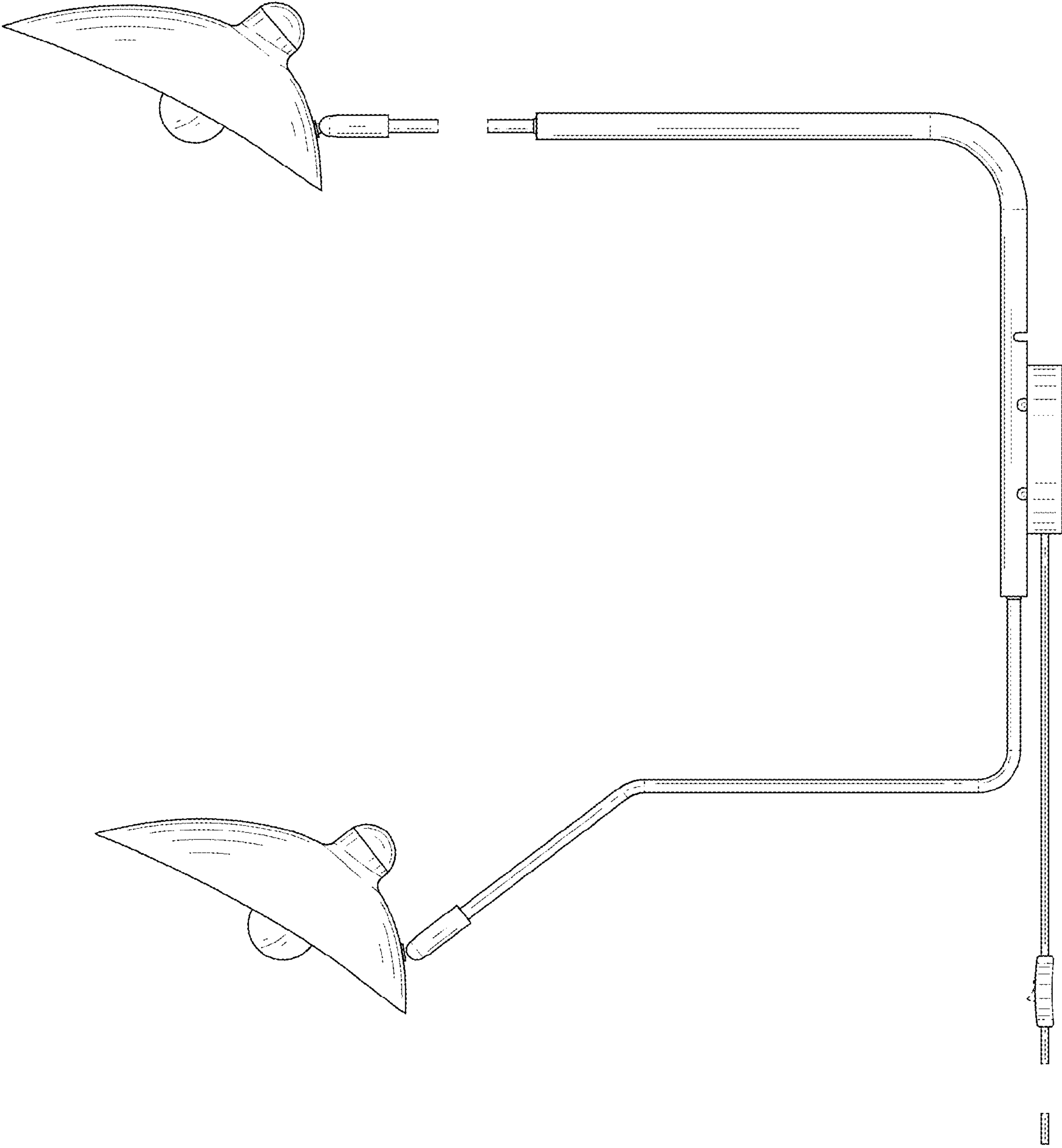


FIG. 3

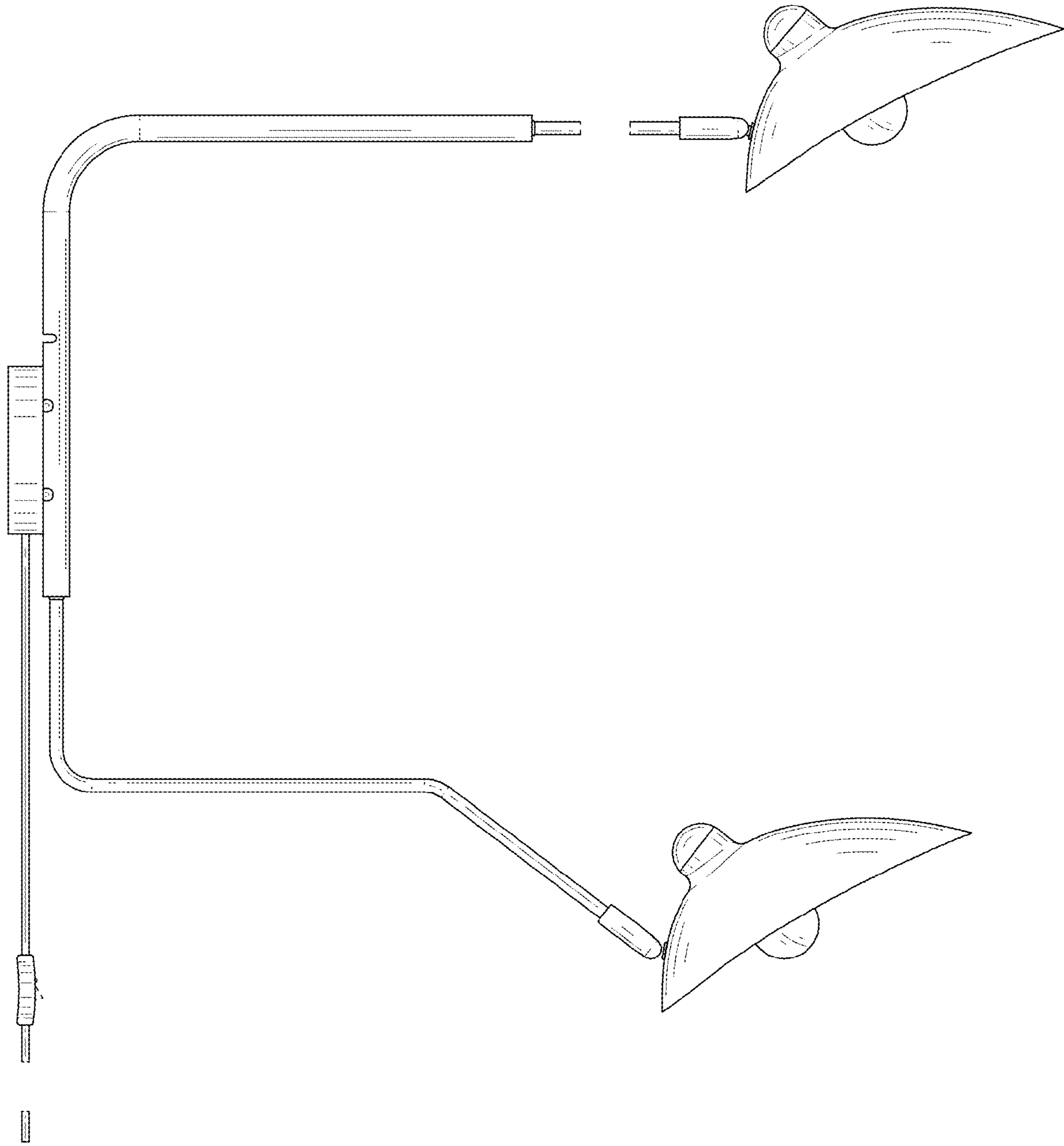


FIG. 4



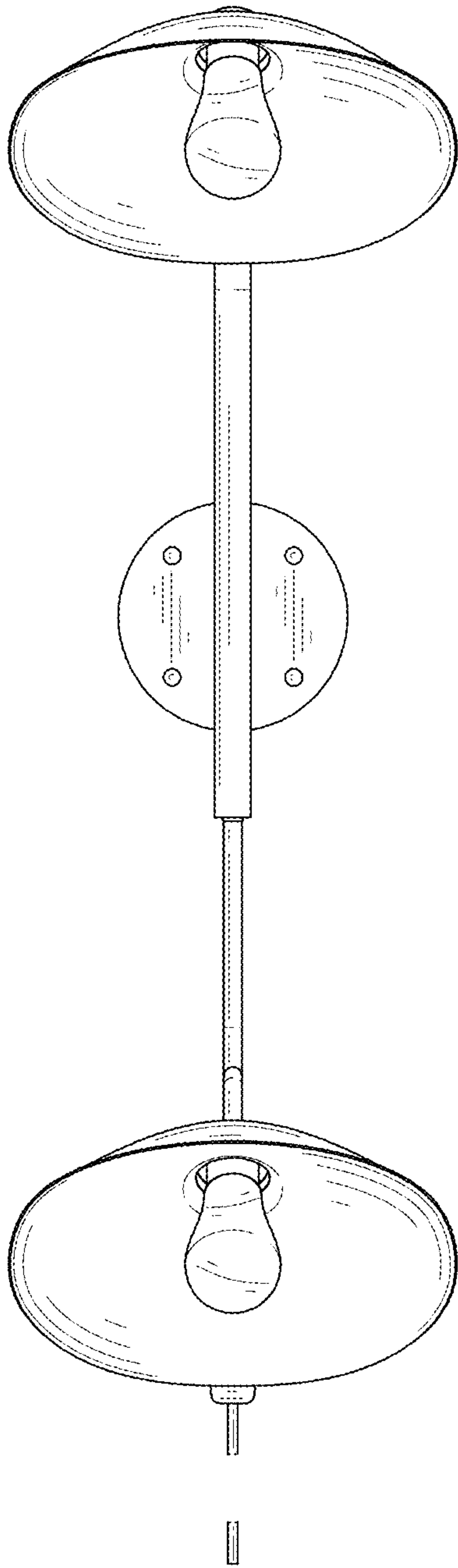


FIG. 5

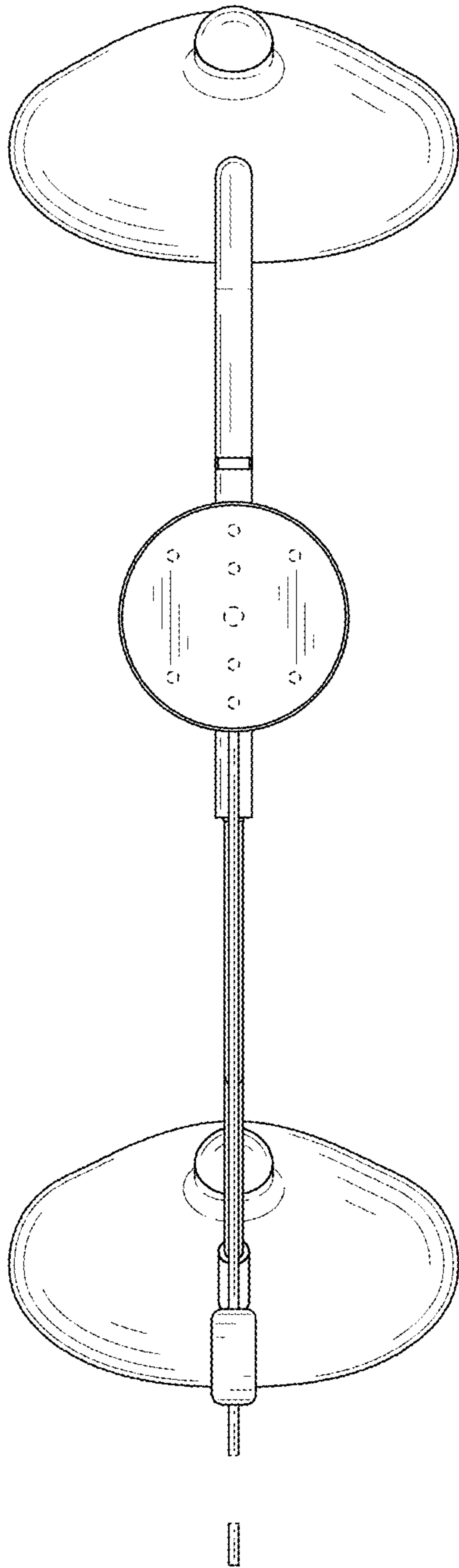


FIG. 6

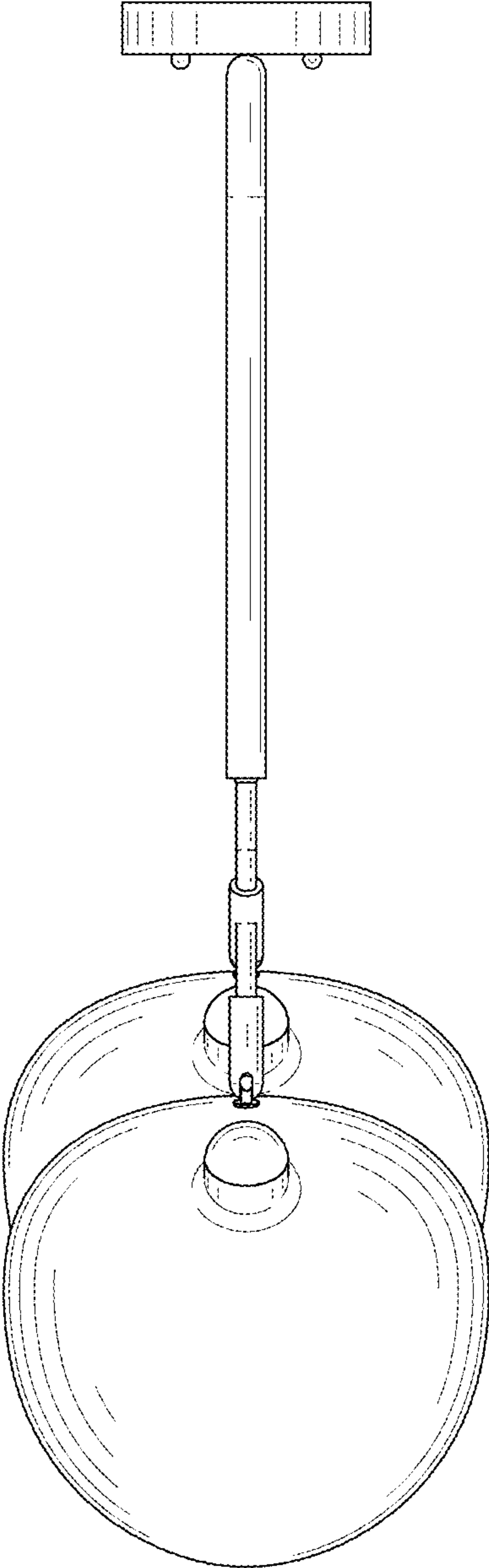


FIG. 7



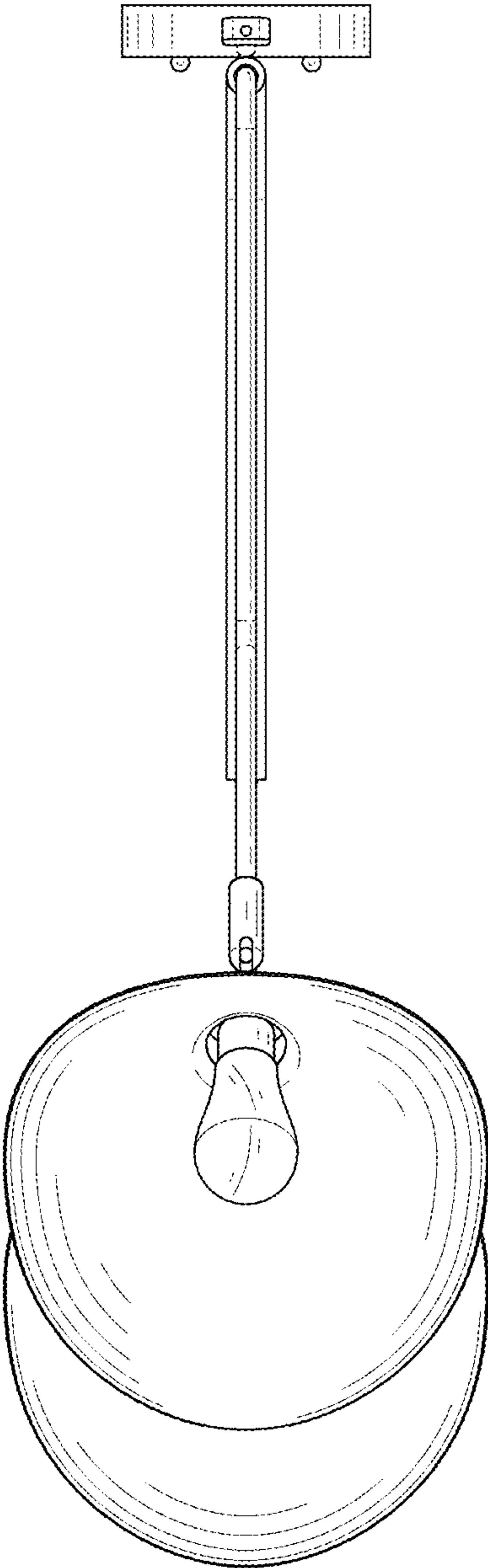


FIG. 8