



US00D975899S

(12) **United States Design Patent**
Li

(10) **Patent No.:** **US D975,899 S**
(45) **Date of Patent:** **** Jan. 17, 2023**

- (54) **GARAGE LIGHT**
- (71) Applicant: **Zhongshan Bestwon Lighting CO., LTD, Zhongshan (CN)**
- (72) Inventor: **Zongwang Li, Zhongshan (CN)**
- (73) Assignee: **Zhongshan Bestwon Lighting CO., LTD, Zhongshan (CN)**
- (**) Term: **15 Years**
- (21) Appl. No.: **29/781,151**
- (22) Filed: **Apr. 28, 2021**
- (51) **LOC (14) Cl.** **26-05**
- (52) **U.S. Cl.**
USPC **D26/63**
- (58) **Field of Classification Search**
USPC D26/24, 59, 61, 63, 65, 72, 73, 80, 83;
D23/377, 411, 413
CPC F21Y 2105/10; F21Y 2105/12; F21Y 2105/18; F21Y 2101/00; F21Y 2113/00;
F21Y 2105/16; F21Y 2103/10
See application file for complete search history.

- D884,952 S * 5/2020 Cao F21S 2/005
D26/2
- D887,610 S * 6/2020 Wei D26/2
- D917,089 S * 4/2021 Rajasekaran F21S 2/005
D26/2
- D935,672 S * 11/2021 Deng D26/2
- D962,533 S * 8/2022 Saboo D26/113

* cited by examiner

Primary Examiner — Cary M Robinson
Assistant Examiner — Julie Marie Bailey
(74) *Attorney, Agent, or Firm* — Jeenam Park

(57) **CLAIM**

The ornamental design for a garage light, as shown and described.

DESCRIPTION

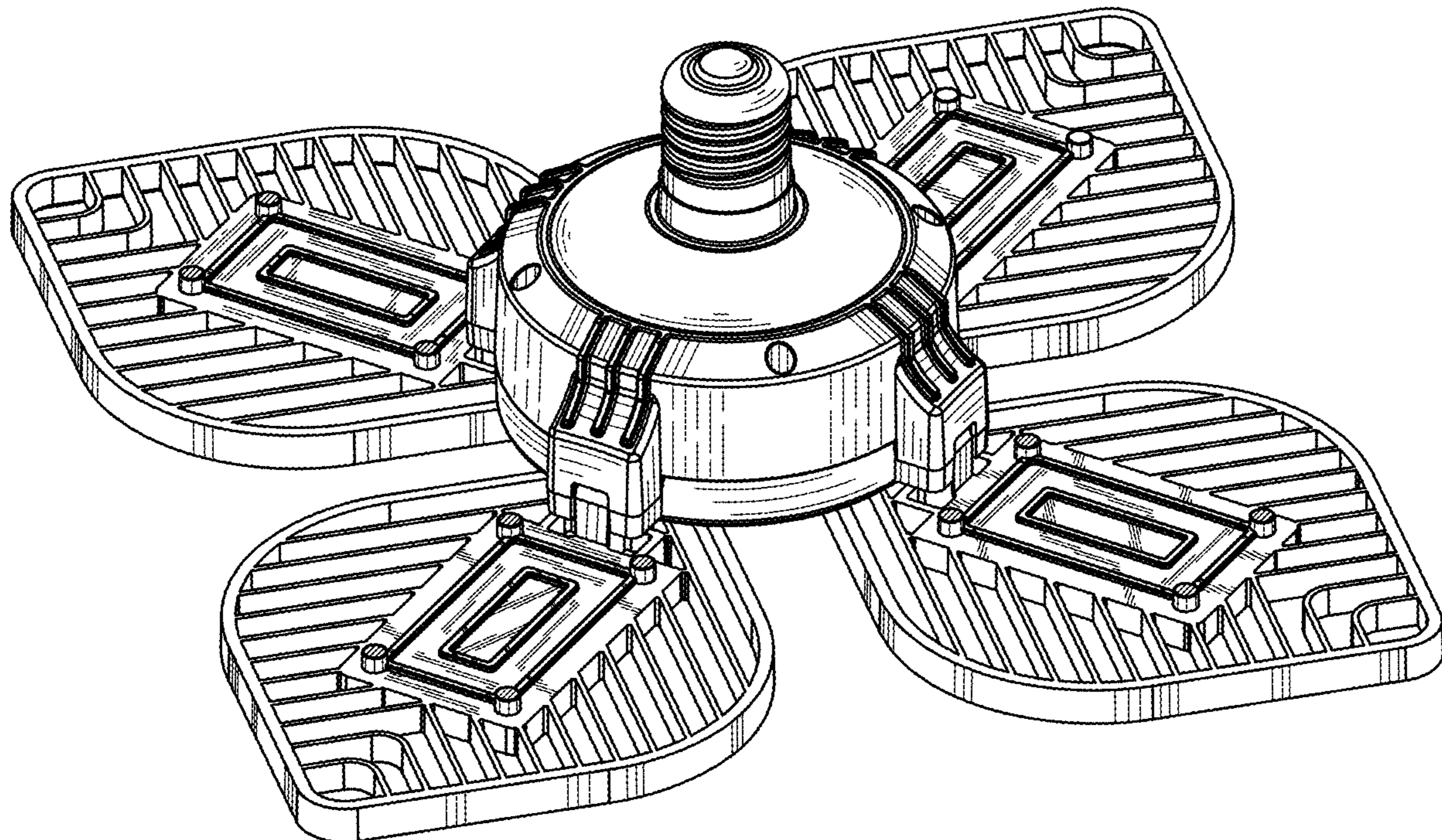
FIG. 1 is a top plan view of a garage light showing my new design;
FIG. 2 is a left side view thereof;
FIG. 3 is a right side view thereof;
FIG. 4 is a front view thereof;
FIG. 5 is a back view thereof;
FIG. 6 is a bottom plan view thereof;
FIG. 7 is a perspective view thereof; and,
FIG. 8 is a perspective view of folded state.
The broken lines shown in the drawings depict portions of the garage light in which the design is embodied that form no part of the claimed design.

(56) **References Cited**

U.S. PATENT DOCUMENTS

- D516,703 S * 3/2006 Gajewski D23/411
- D523,955 S * 6/2006 Badarello D23/413
- D801,514 S * 10/2017 Wang D23/411

1 Claim, 8 Drawing Sheets



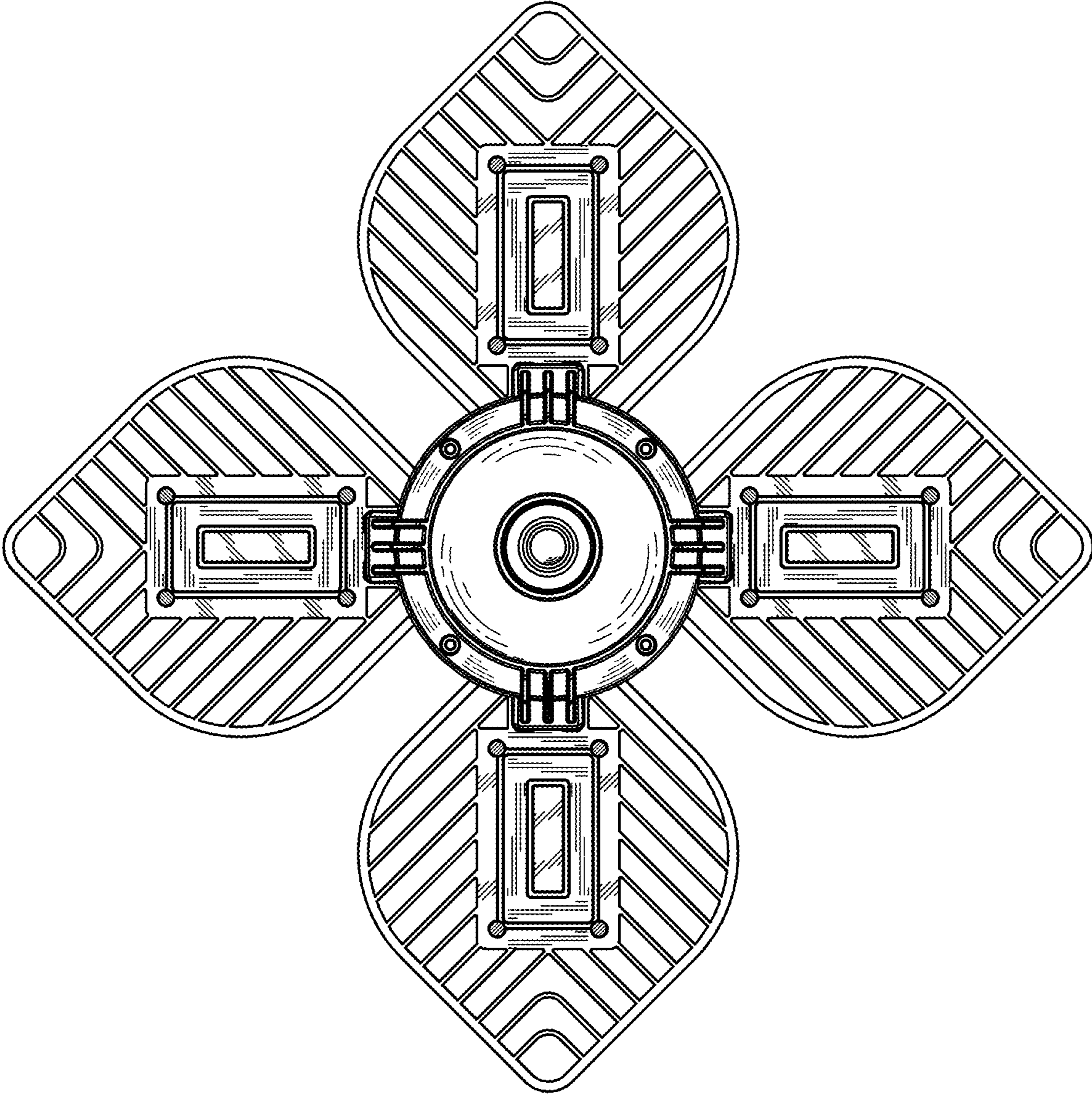


FIG. 1

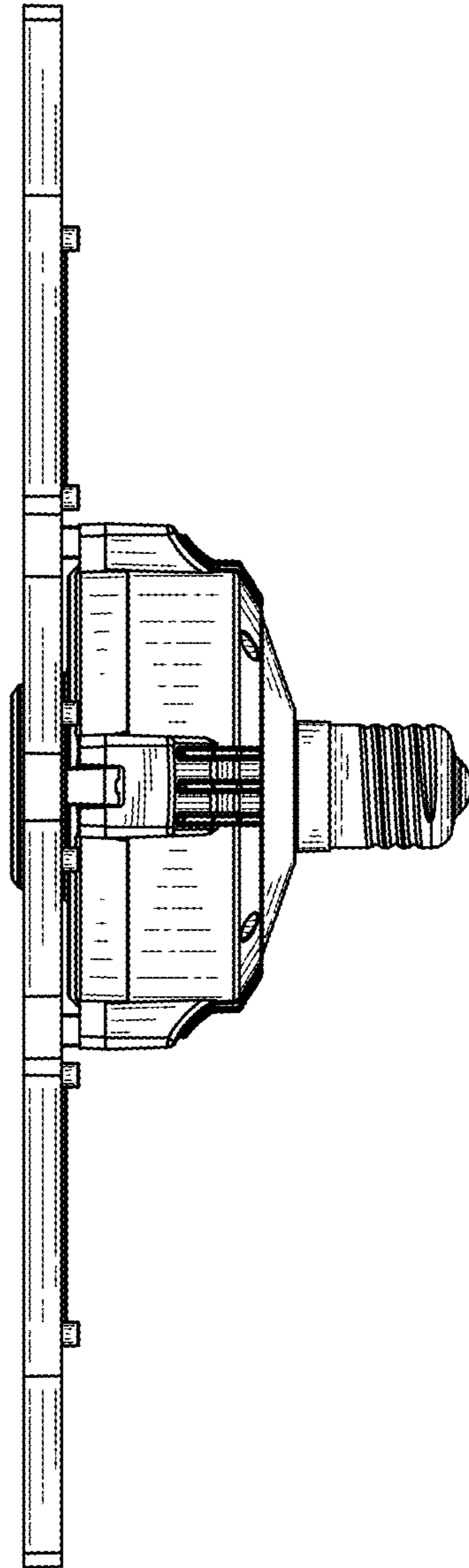


FIG. 2

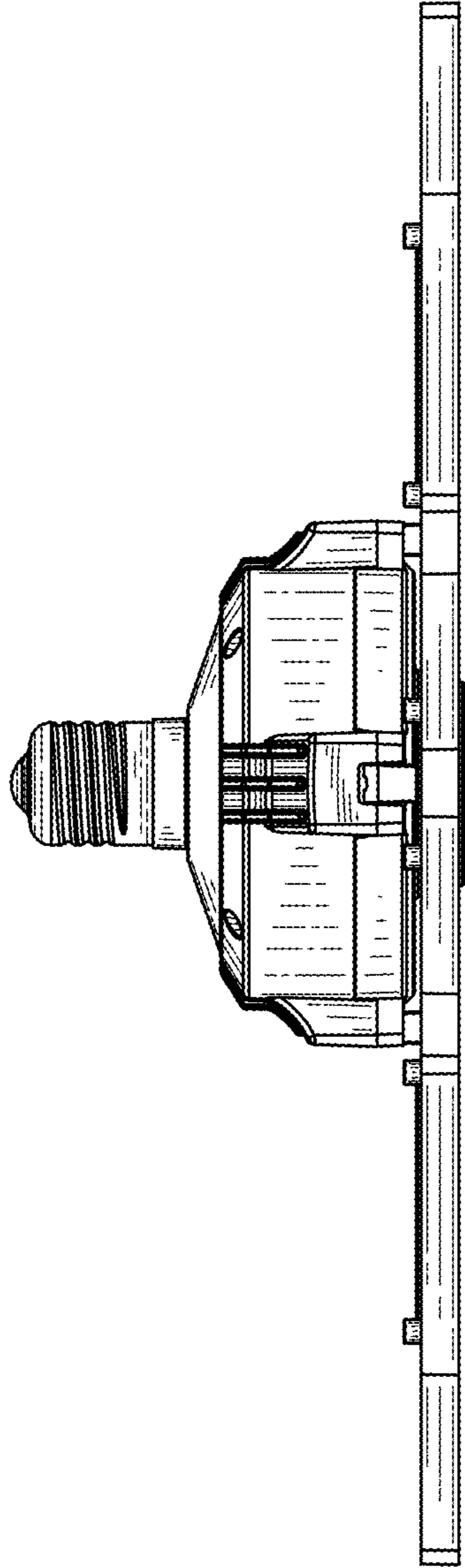


FIG. 3

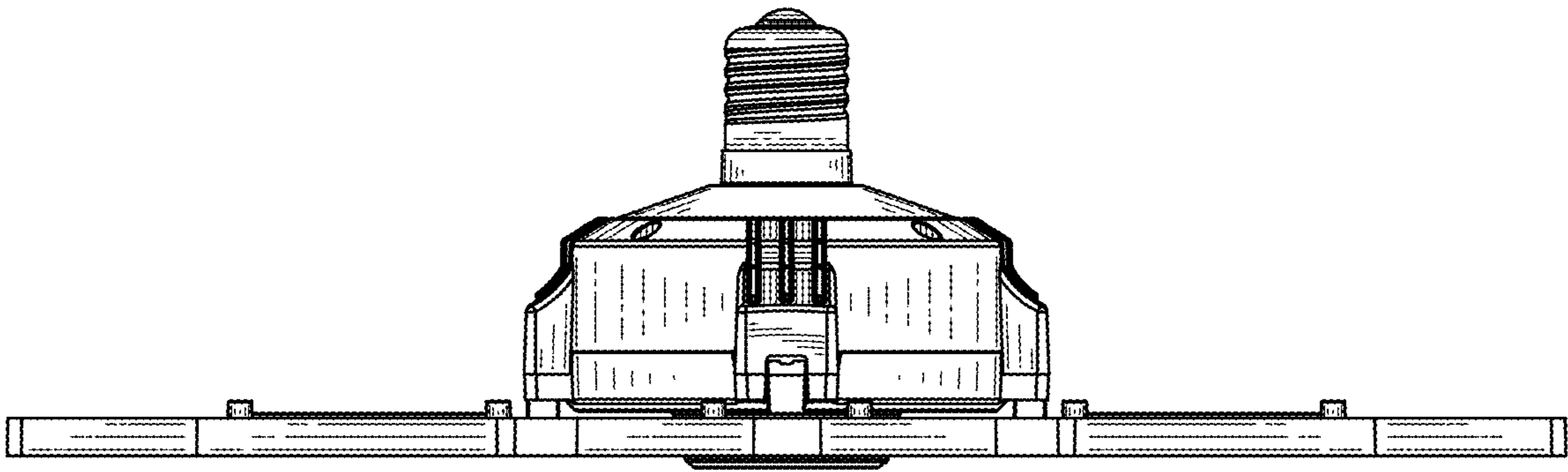


FIG. 4

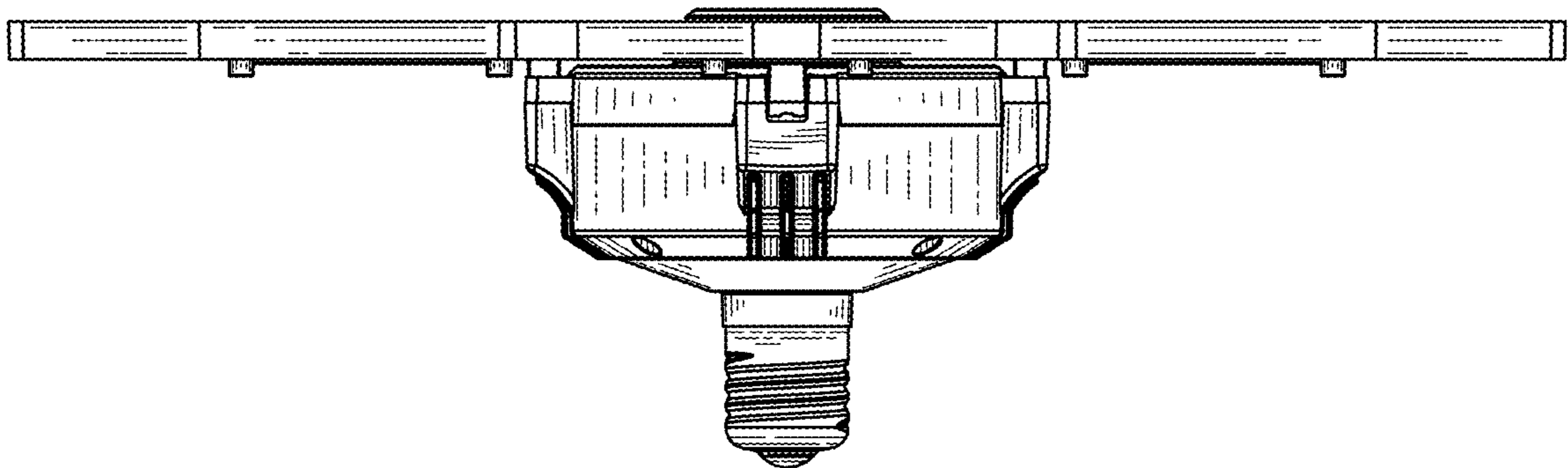


FIG. 5

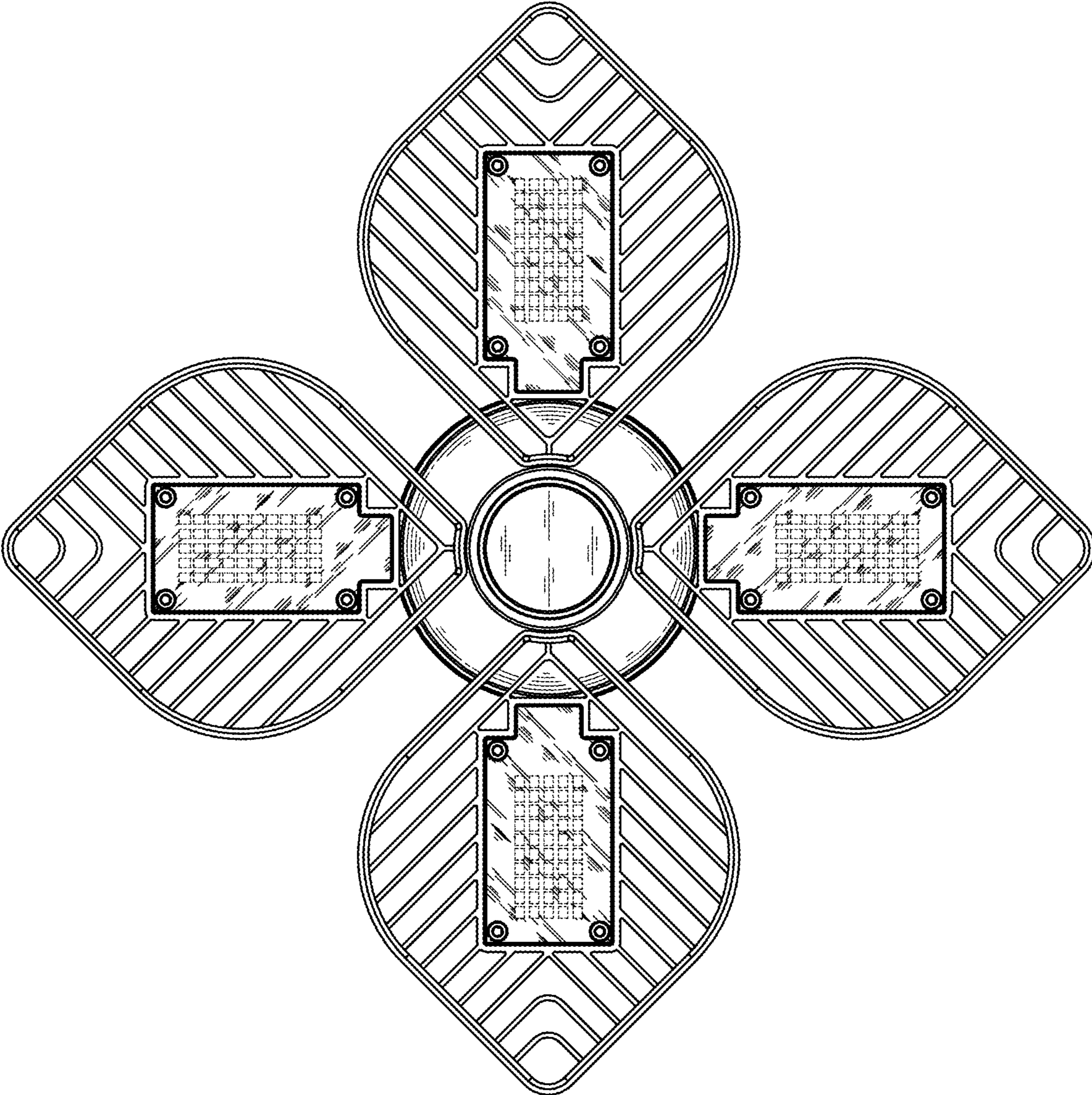


FIG. 6

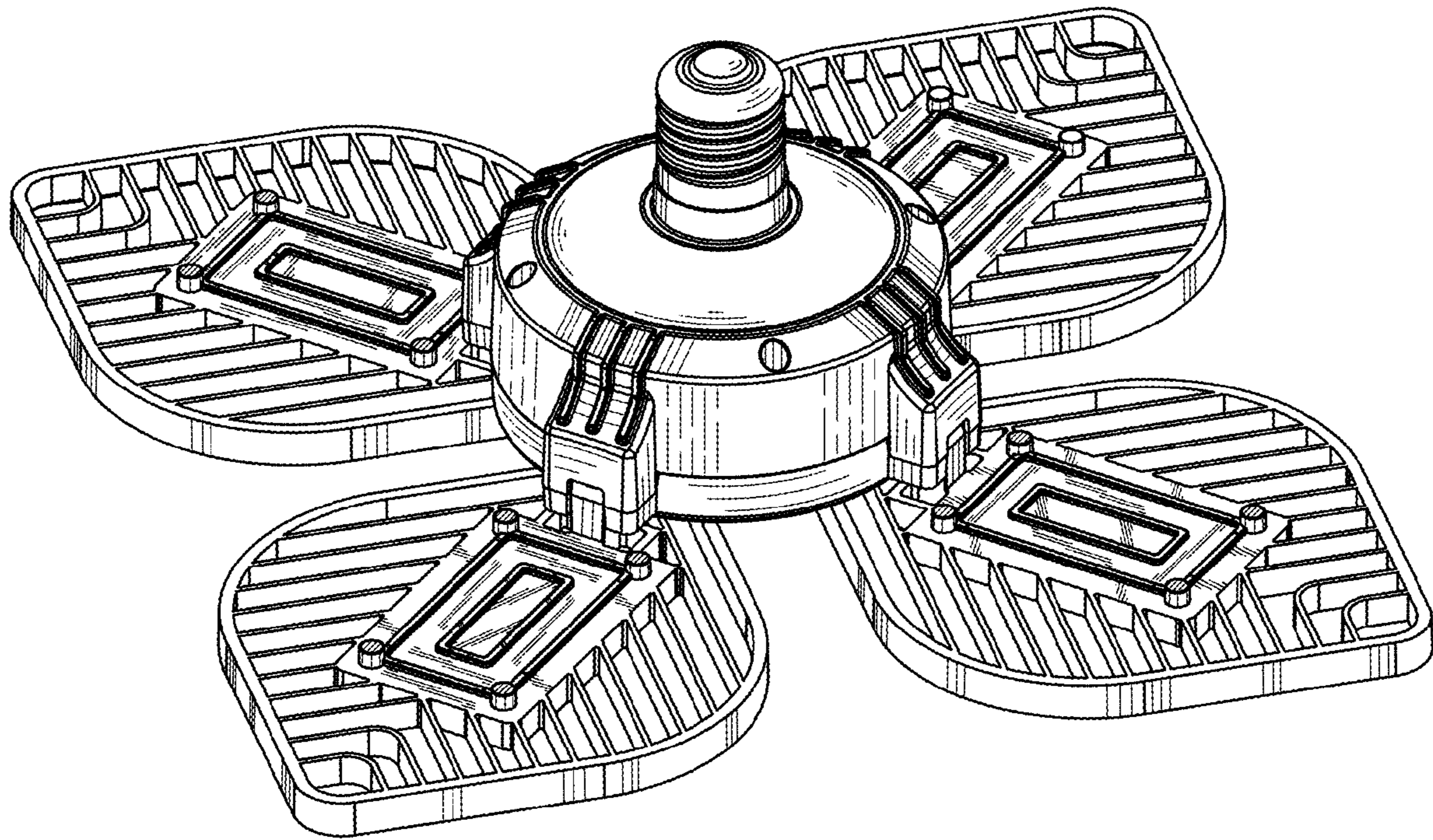


FIG. 7

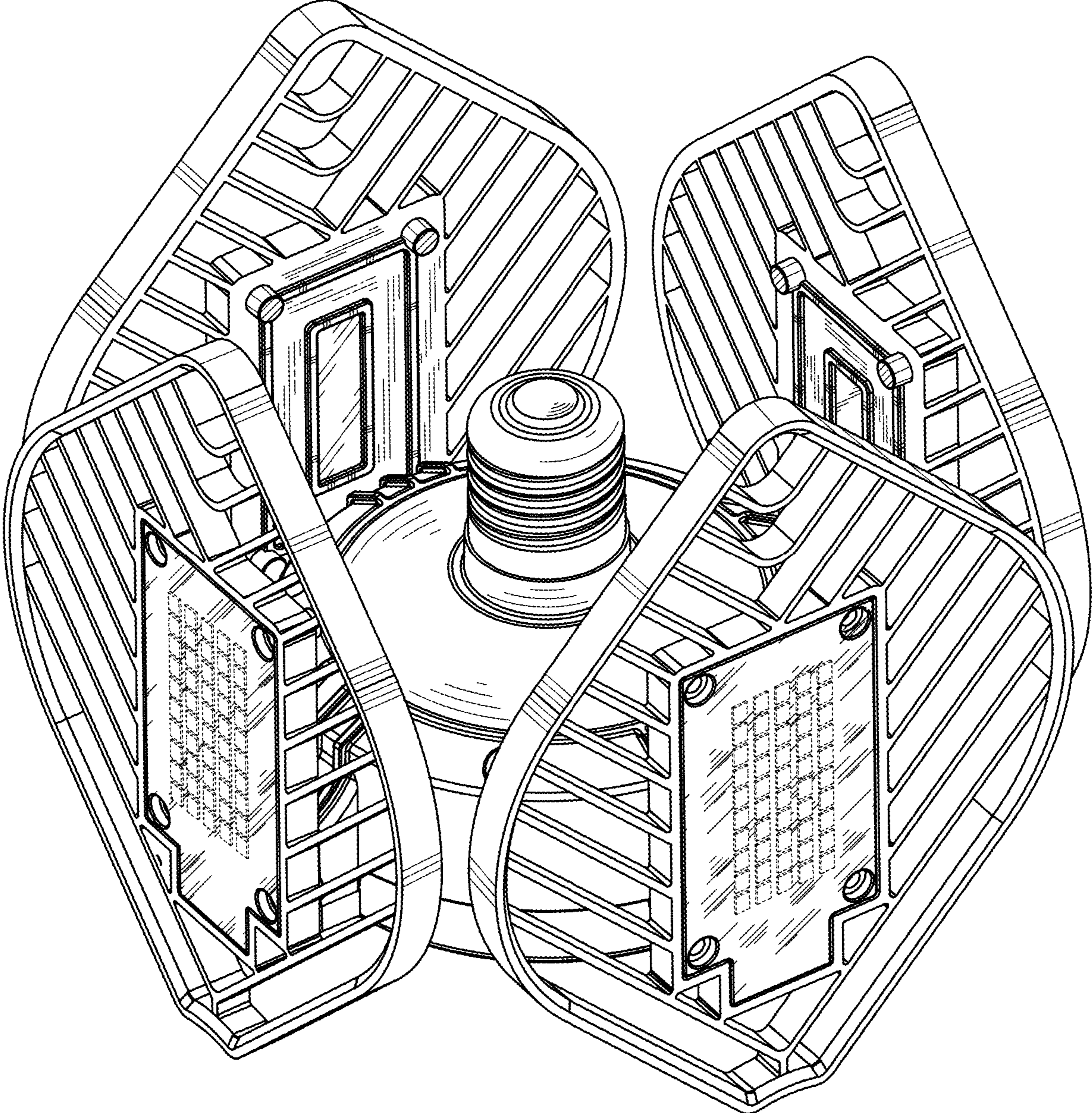


FIG. 8