



US00D975897S

(12) **United States Design Patent** (10) **Patent No.:** **US D975,897 S**
Chen (45) **Date of Patent:** **** Jan. 17, 2023**

(54) **LAMP**
(71) Applicant: **Honghong Chen**, Shenzhen (CN)
(72) Inventor: **Honghong Chen**, Shenzhen (CN)
(**) Term: **15 Years**
(21) Appl. No.: **29/830,673**
(22) Filed: **Mar. 14, 2022**

D943,020 S * 2/2022 Lin D16/244
D948,106 S * 4/2022 Yuan D26/63
D956,303 S * 6/2022 Feng D26/63
2013/0233986 A1 * 9/2013 Rasheta F16M 13/022
248/274.1
2018/0106418 A1 * 4/2018 Anglin F16M 11/28

FOREIGN PATENT DOCUMENTS

CA 200241 * 7/2022
CN 305951237 * 7/2020

OTHER PUBLICATIONS

Amazon, "UBeesize 67" Phone Tripod Stand, first available Sep. 8, 2020. (<https://www.amazon.com/dp/B08D6KM95D/>) (Year: 2020).*

(Continued)

Primary Examiner — Lauren D McVey
Assistant Examiner — Justin A Johnson

Related U.S. Application Data

(62) Division of application No. 29/769,049, filed on Feb. 3, 2021, now Pat. No. Des. 954,321.
(51) **LOC (14) Cl.** **26-05**
(52) **U.S. Cl.**
USPC **D26/61**
(58) **Field of Classification Search**
USPC ... D26/1, 24, 60, 61, 62, 63, 64, 65, 66, 93,
D26/104, 105, 106, 107, 108, 110, 145
CPC F21L 2/00; F21L 4/00; F21L 4/02; F21L
4/025; F21L 4/027; F21L 14/00; F21S
2/00; F21S 8/03; F21S 8/033; F21S
8/035; F21S 6/002; F21S 6/004; F21S
8/036; F21S 8/037; F21S 9/00; F21S
9/02; F21V 21/10; F21V 21/108; F21W
2121/008
See application file for complete search history.

(57) **CLAIM**

The ornamental design for a lamp, as shown and described.

DESCRIPTION

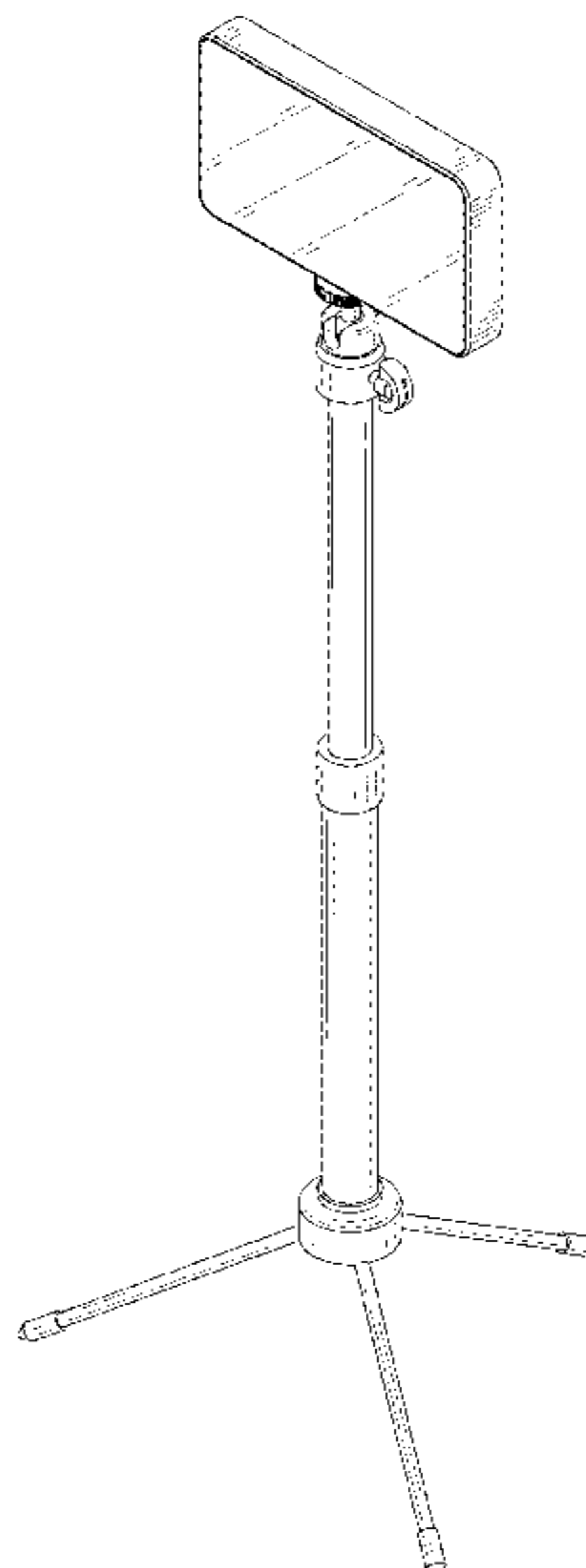
FIG. 1 is a perspective view of a lamp showing my new design;
FIG. 2 is another perspective view thereof;
FIG. 3 is a front elevational view thereof;
FIG. 4 is a rear elevational view thereof;
FIG. 5 is a left side elevational view thereof;
FIG. 6 is a right side elevational view thereof;
FIG. 7 is a top plan view thereof;
FIG. 8 is a bottom plan view thereof; and,
FIG. 9 is an enlarged view of portion 9 shown in FIG. 2.
The dash-dash broken lines in the drawings depict portions of the lamp that form no part of the claimed design. The dot-dash broken lines represent boundaries of the enlarged portion and form no part of the claimed design.

(56) **References Cited**

U.S. PATENT DOCUMENTS

D298,467 S * 11/1988 Stover D26/63
9,851,625 B1 * 12/2017 Fernandez H02J 7/00
10,139,039 B1 * 11/2018 Reed F16M 13/00
10,247,353 B1 * 4/2019 Chen F16B 2/12
10,323,785 B1 * 6/2019 Takahashi F16M 11/12
10,634,327 B2 * 4/2020 Cornell F16M 11/12
D919,874 S * 5/2021 Tang D26/106
11,112,055 B2 * 9/2021 Martin F16M 11/242

1 Claim, 9 Drawing Sheets



(56)

References Cited

OTHER PUBLICATIONS

Amazon, "EMART LED Video Light", first available Apr. 27, 2020.

(<https://www.amazon.com/dp/B0859FD2QF/>) (Year: 2020).*

Amazon, "Fugetek LED Photography Video Light Kit", first available Aug. 1, 2021. (<https://www.amazon.com/dp/B09BM9HMB4/>)

(Year: 2021).*

Amazon, "Sokani P25 Key Light", first available Feb. 18, 2022.

(<https://www.amazon.com/dp/B09SSZ8NJ1/>) (Year: 2022).*

* cited by examiner

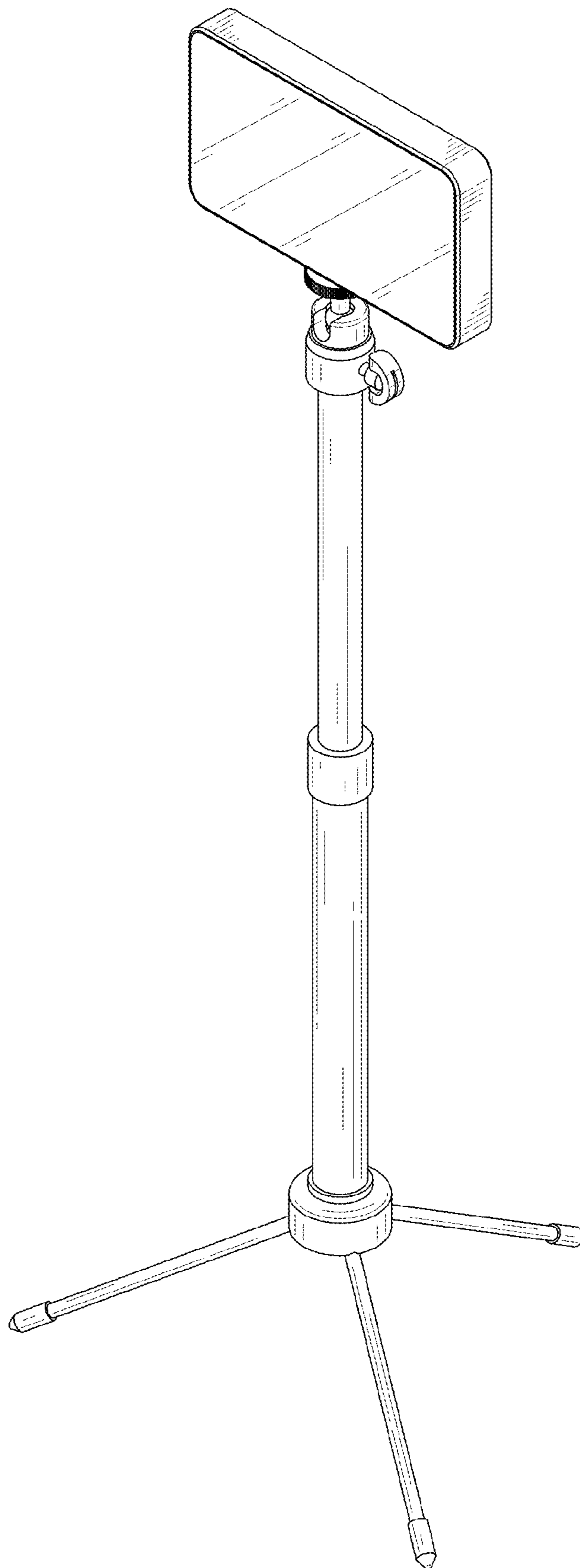


FIG. 1

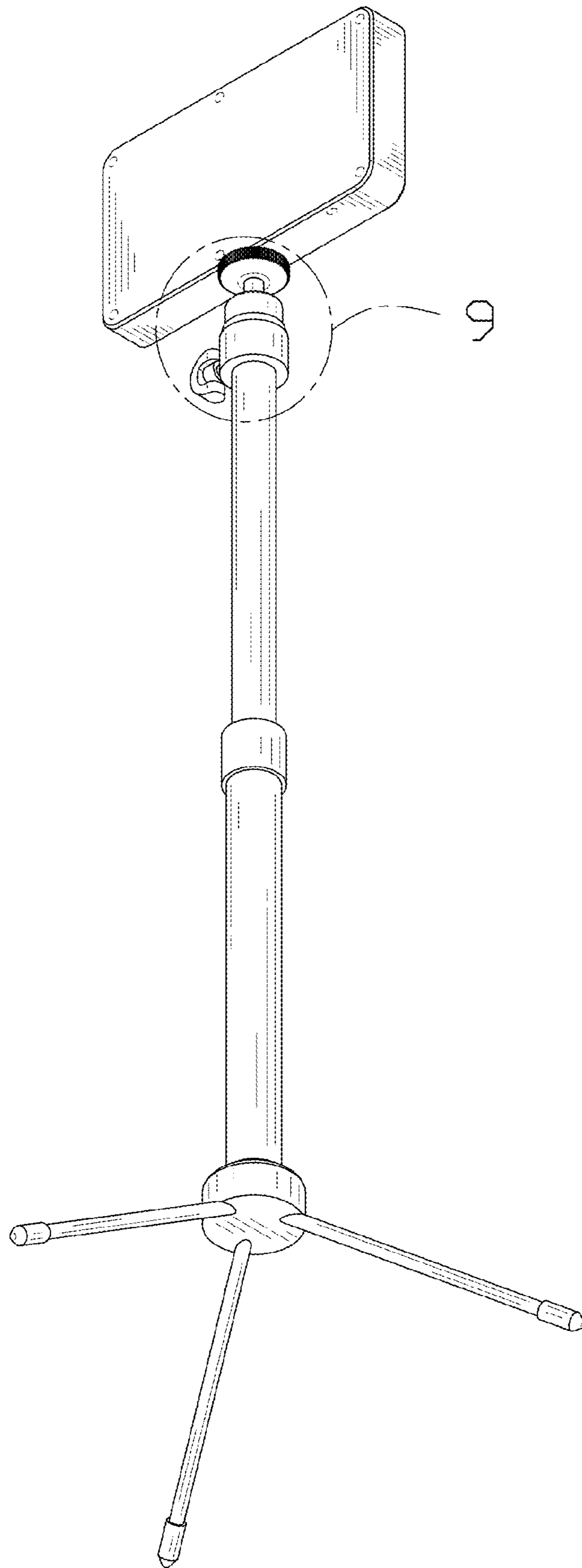


FIG. 2

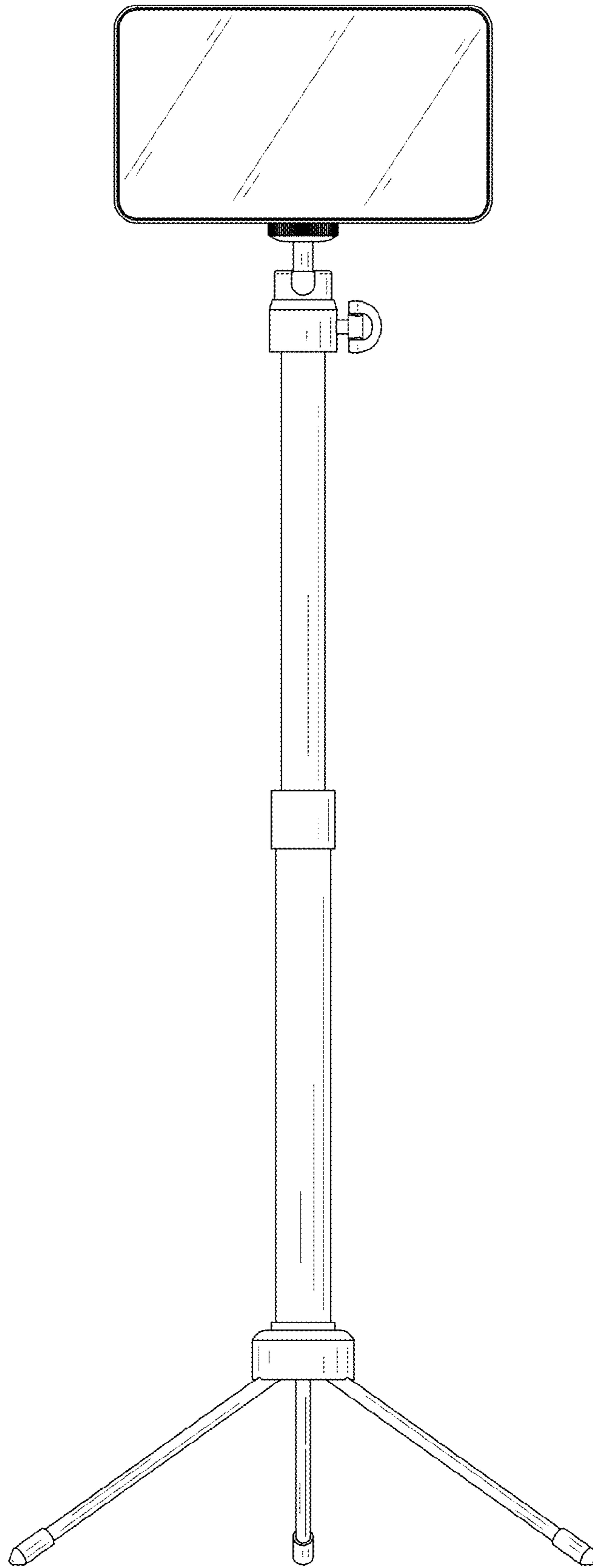


FIG. 3

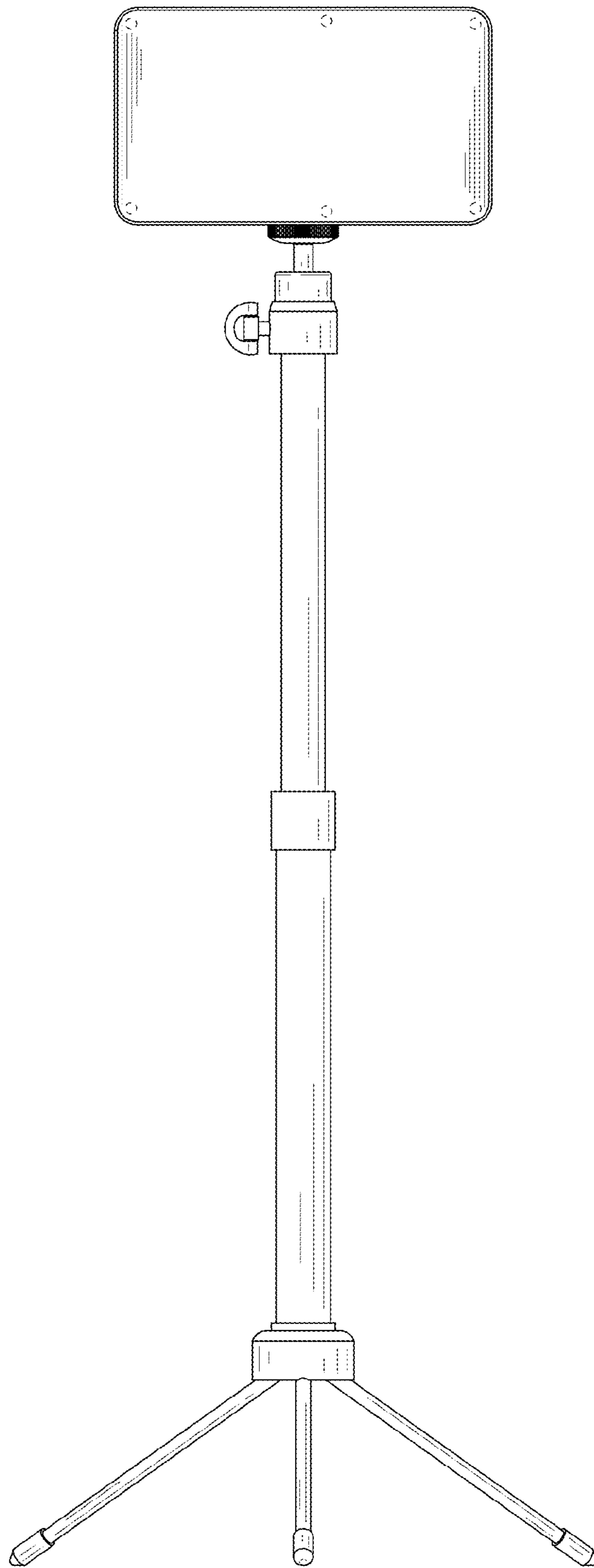


FIG. 4

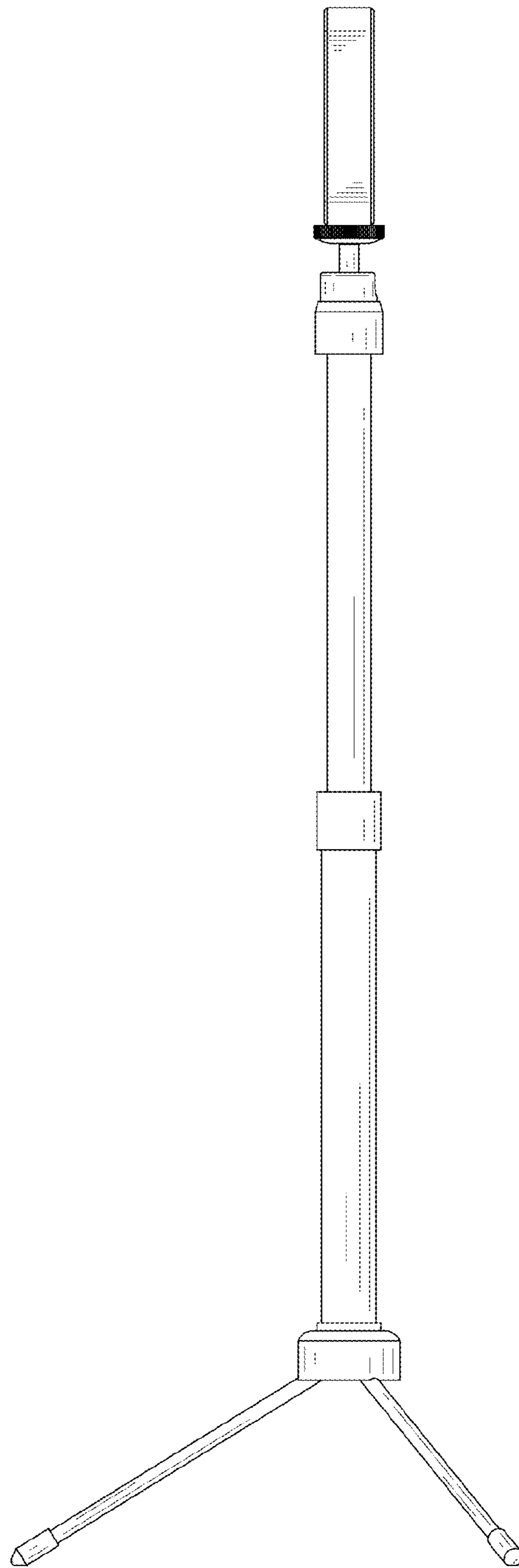


FIG. 5

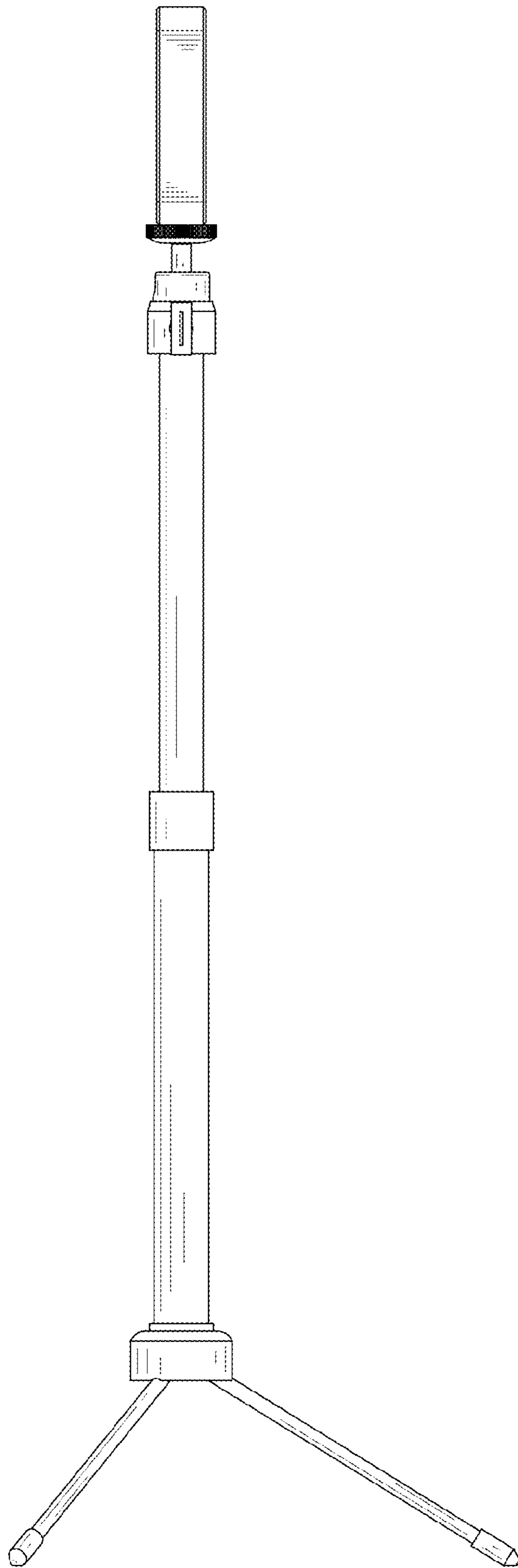


FIG. 6

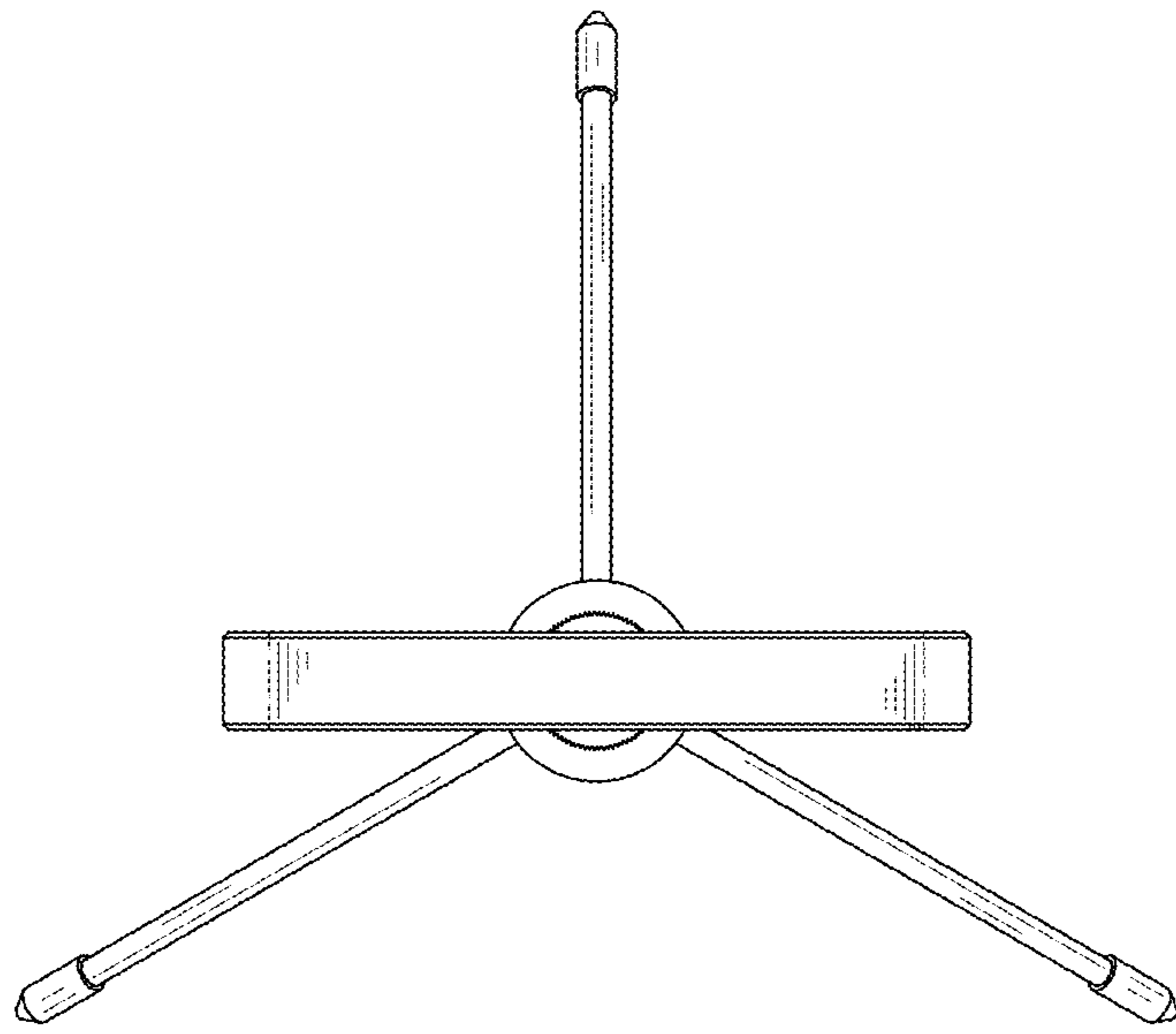


FIG. 7

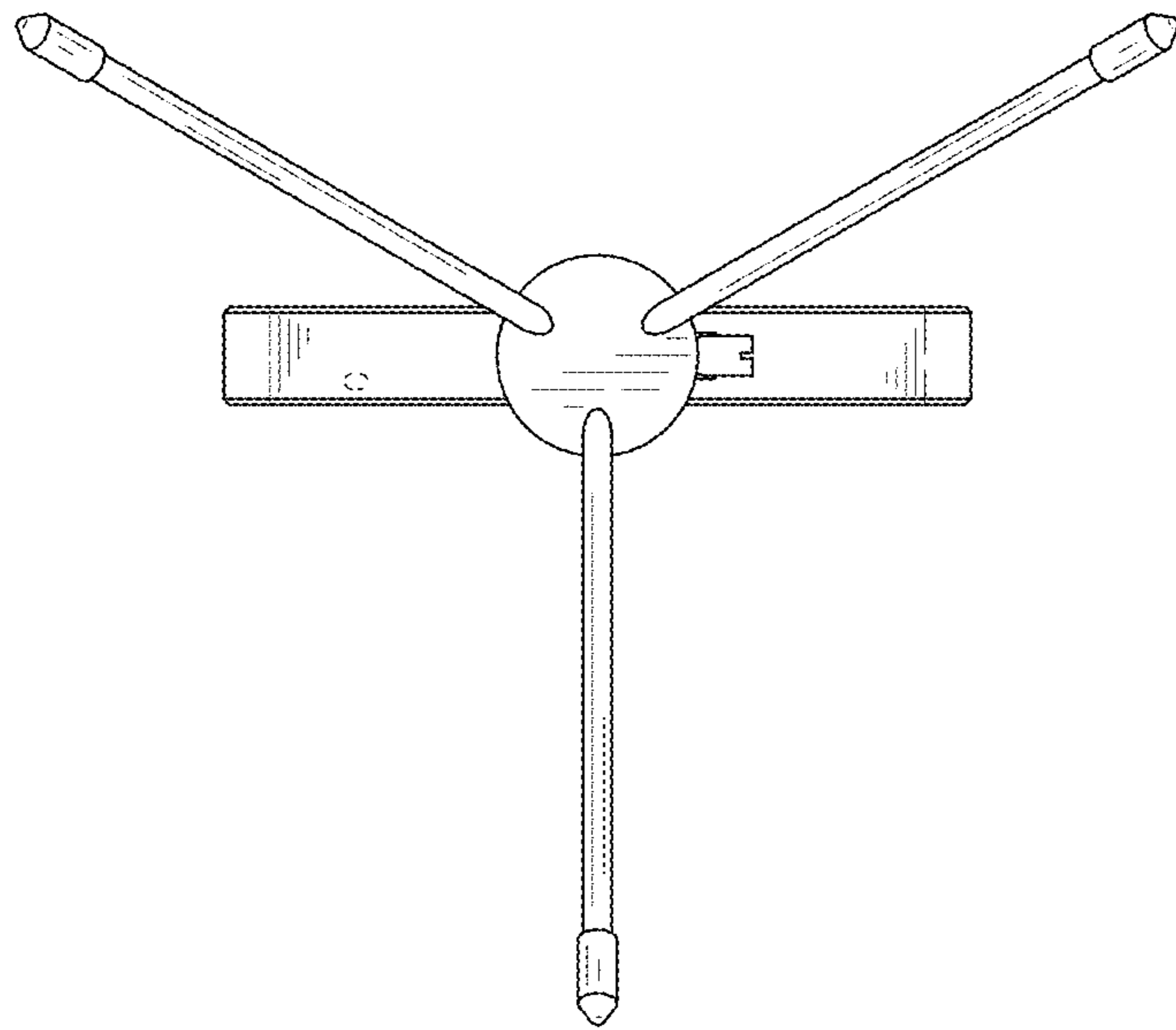


FIG. 8

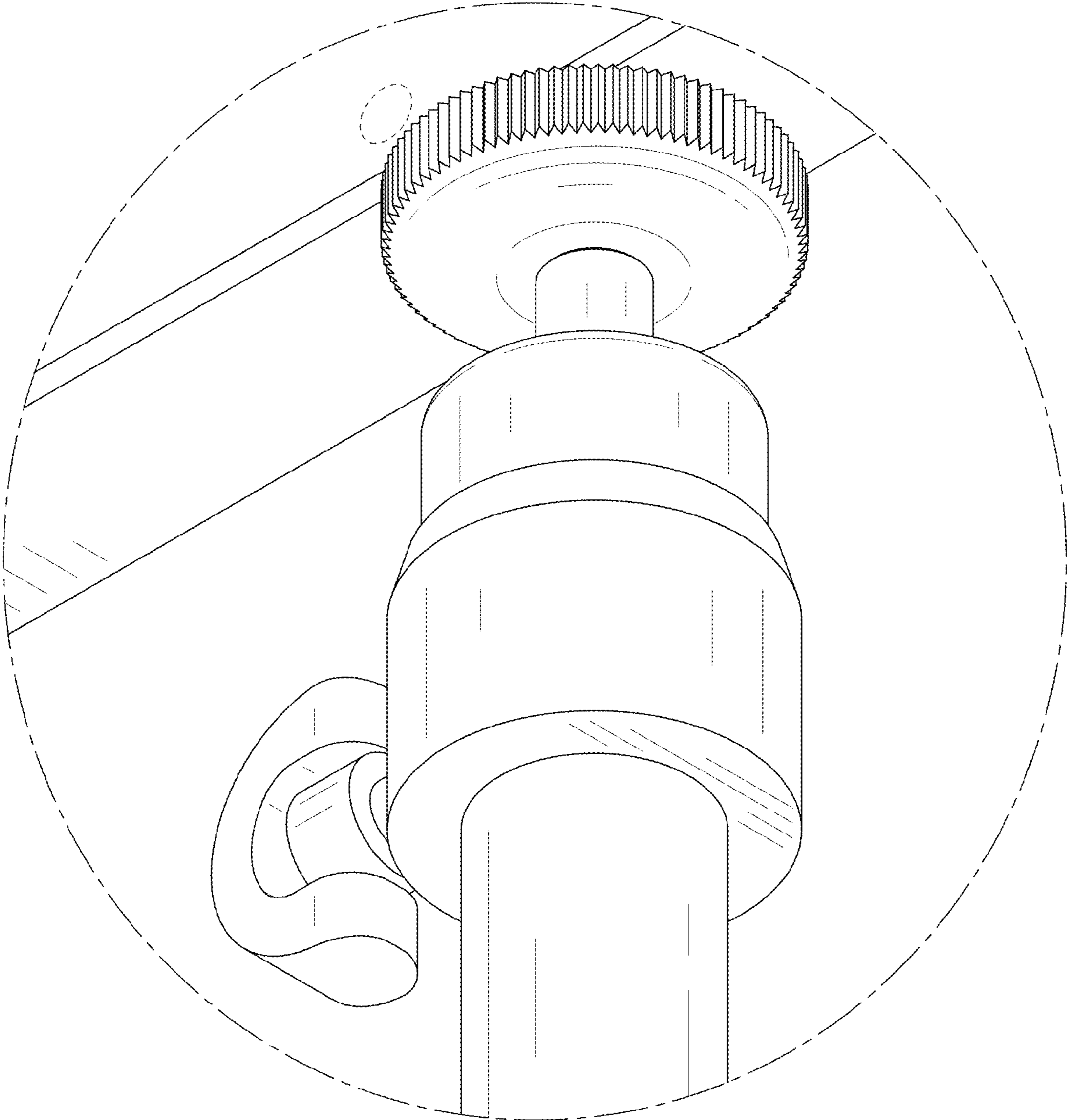


FIG. 9