



US00D975896S

(12) **United States Design Patent** (10) **Patent No.:** **US D975,896 S**
Li (45) **Date of Patent:** **** Jan. 17, 2023**

(54) **CEILING FAN WITH LIGHT**

D789,507 S * 6/2017 Badarello D23/377
D813,369 S * 3/2018 Chiu D23/370
D851,806 S * 6/2019 Richardson D26/81
D880,749 S * 4/2020 Memedi D26/73

(71) Applicant: **Chunmei Li**, Sanhe (CN)

(Continued)

(72) Inventor: **Chunmei Li**, Sanhe (CN)

(73) Assignee: **Chunmei Li**, Sanhe (CN)

FOREIGN PATENT DOCUMENTS

(**) Term: **15 Years**

CN 206592878 U * 10/2017
CN 110608192 A * 12/2019 F04D 29/325

(Continued)

(21) Appl. No.: **29/836,105**

OTHER PUBLICATIONS

(22) Filed: **Apr. 25, 2022**

(51) **LOC (14) Cl.** **26-05**

(52) **U.S. Cl.**
USPC **D26/59**; D23/382; D23/377

(58) **Field of Classification Search**
USPC D26/59, 72, 73, 81, 86, 88, 119, 122,
D26/128-130, 137; D23/370, 377, 379,
D23/381, 382, 412, 414
CPC F04D 29/386; F04D 29/38; F04D 25/088;
F21V 33/0096
See application file for complete search history.

“Flush Mount Ceiling Fans with Lights,” Apr. 14, 2022, amazon.com, site visited Jul. 16, 2022, URL: From <https://www.amazon.com/Ceiling-Lights-3-Speed-Reversible-Control/dp/B09PJZM4LQ/ref=sr_1_76?crd=2TZPJF1DVAKSJ&keywords=enclosed+cage+fan+light&qid=1657983340&sprefix=enclosed+cage+fan+light%2Caps% (Year: 2022).*

Primary Examiner — Christy Nemeth
Assistant Examiner — Sarah L Smith
(74) *Attorney, Agent, or Firm* — Nitin Kaushik

(56) **References Cited**

(57) **CLAIM**

U.S. PATENT DOCUMENTS

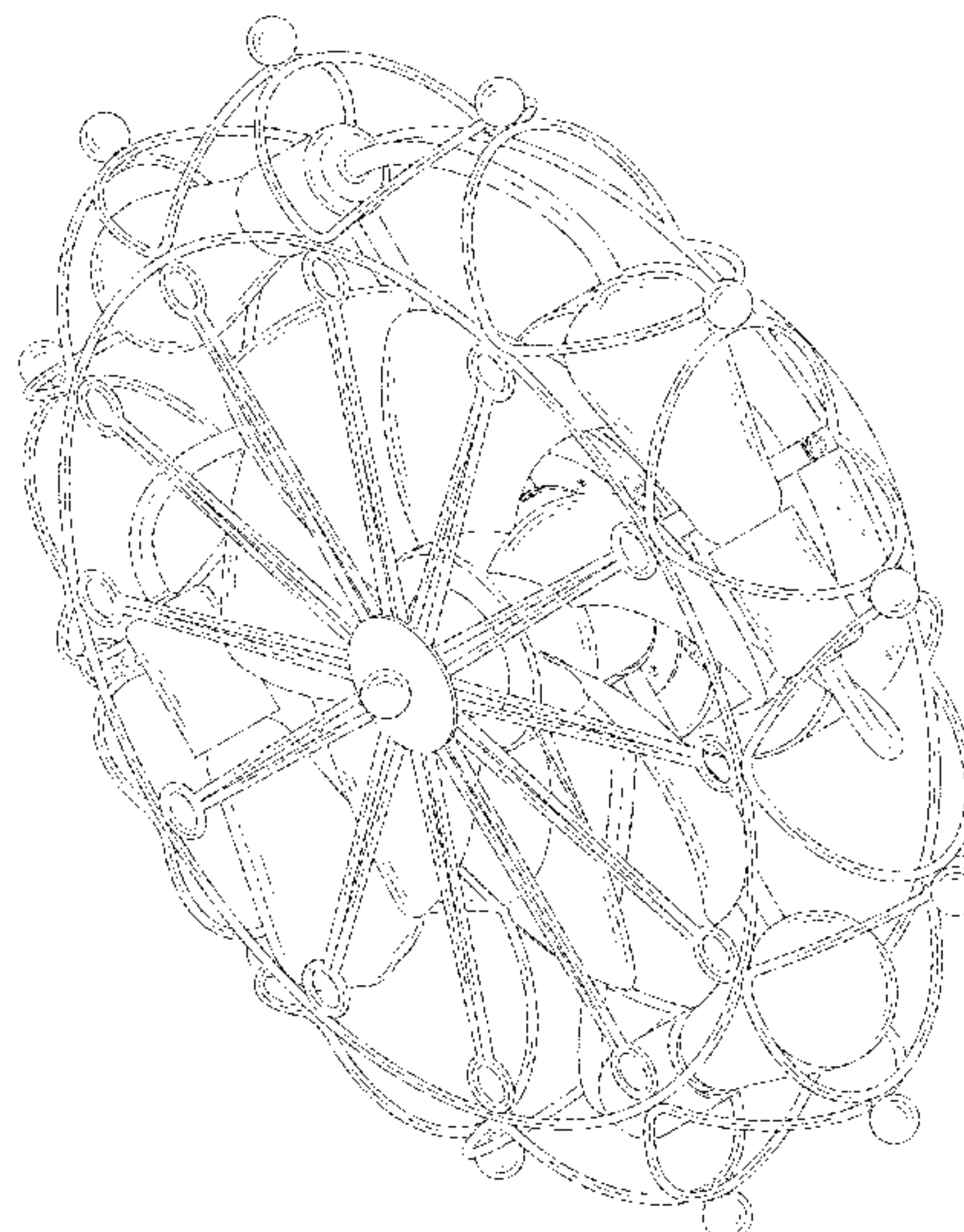
The ornamental design for a ceiling fan with light, as shown and described.

- D40,181 S * 7/1909 Mygatt F04D 25/088
D26/130
- D75,869 S * 7/1928 Pfeiffer D26/152
- D90,146 S * 6/1933 Arnold D23/412
- D128,142 S * 7/1941 Moskowitz D23/382
- D133,051 S * 7/1942 Kruck D23/382
- D161,967 S * 2/1951 SeBastian D23/382
- D201,322 S * 6/1965 Knapp D23/412
- 4,569,631 A * 2/1986 Gray, III F04D 29/386
416/189
- D328,949 S * 8/1992 Rodrigue, Jr. D23/382
- 5,320,493 A * 6/1994 Shih F04D 29/386
416/223 R
- D418,218 S * 12/1999 Hsu D23/411
- D426,879 S * 6/2000 Gajewski D23/377
- D478,981 S * 8/2003 Frampton D23/411
- D634,472 S * 3/2011 Forgette D26/128
- D777,312 S * 1/2017 Badarello D23/377

DESCRIPTION

FIG. 1 is a front perspective view of a ceiling fan with light, showing my new design;
FIG. 2 is a front view thereof;
FIG. 3 is a rear view thereof;
FIG. 4 is a right side view thereof;
FIG. 5 is a left side view thereof;
FIG. 6 is a bottom view thereof; and,
FIG. 7 is top view thereof.
The broken lines in the drawings illustrate the portions of the ceiling fan with light, which form no part of the claimed design.

1 Claim, 7 Drawing Sheets



(56)

References Cited

U.S. PATENT DOCUMENTS

D889,632 S * 7/2020 Ediger F04D 29/386
D23/412
D941,516 S 1/2022 Holmes
D963,222 S * 9/2022 Lv D23/382
2013/0101416 A1* 4/2013 Todd F04D 25/088
416/5

FOREIGN PATENT DOCUMENTS

CN 305838252 * 6/2020
CN 305838253 * 6/2020
CN 306331048 * 2/2021

* cited by examiner

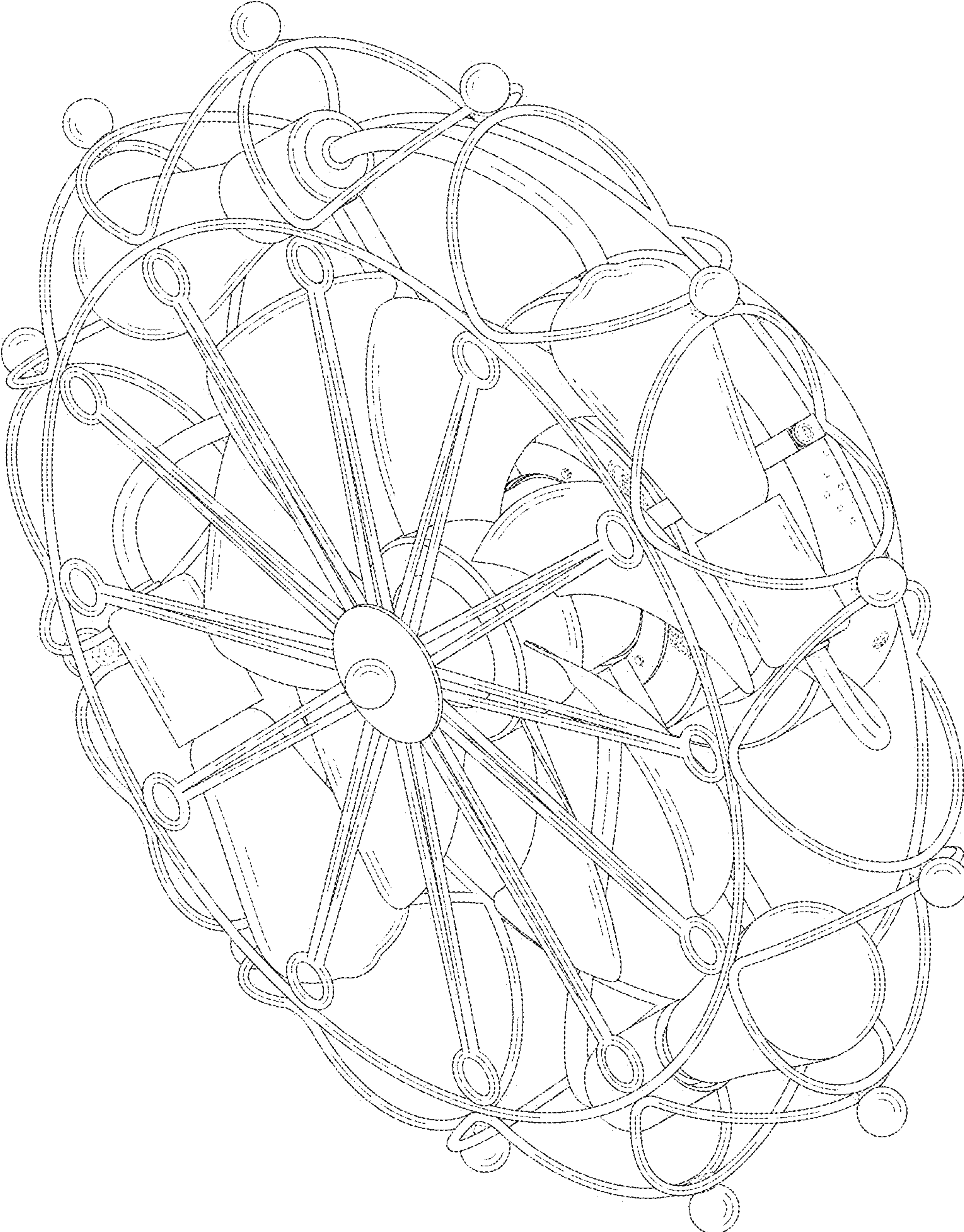


FIG. 1

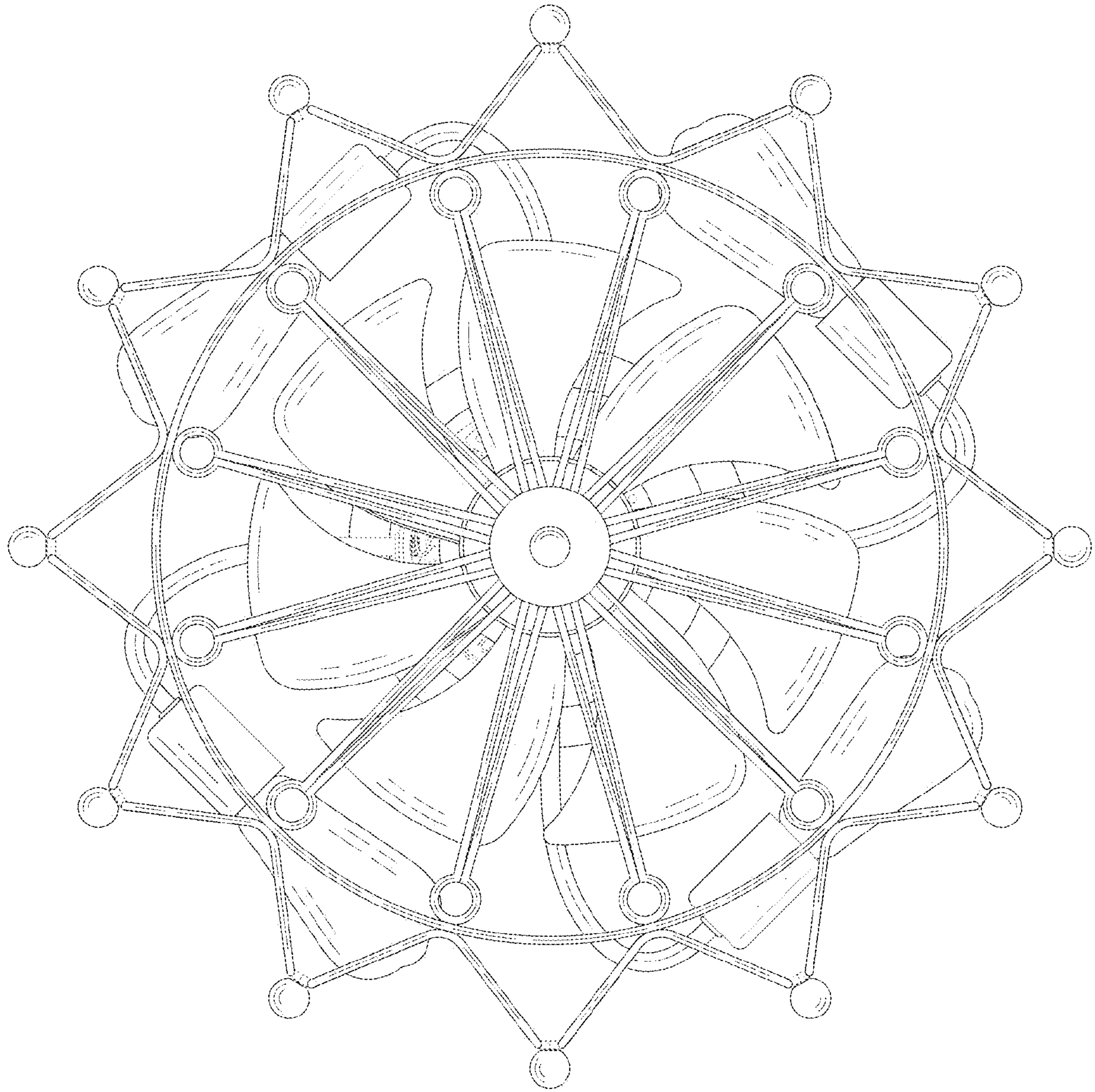


FIG. 2

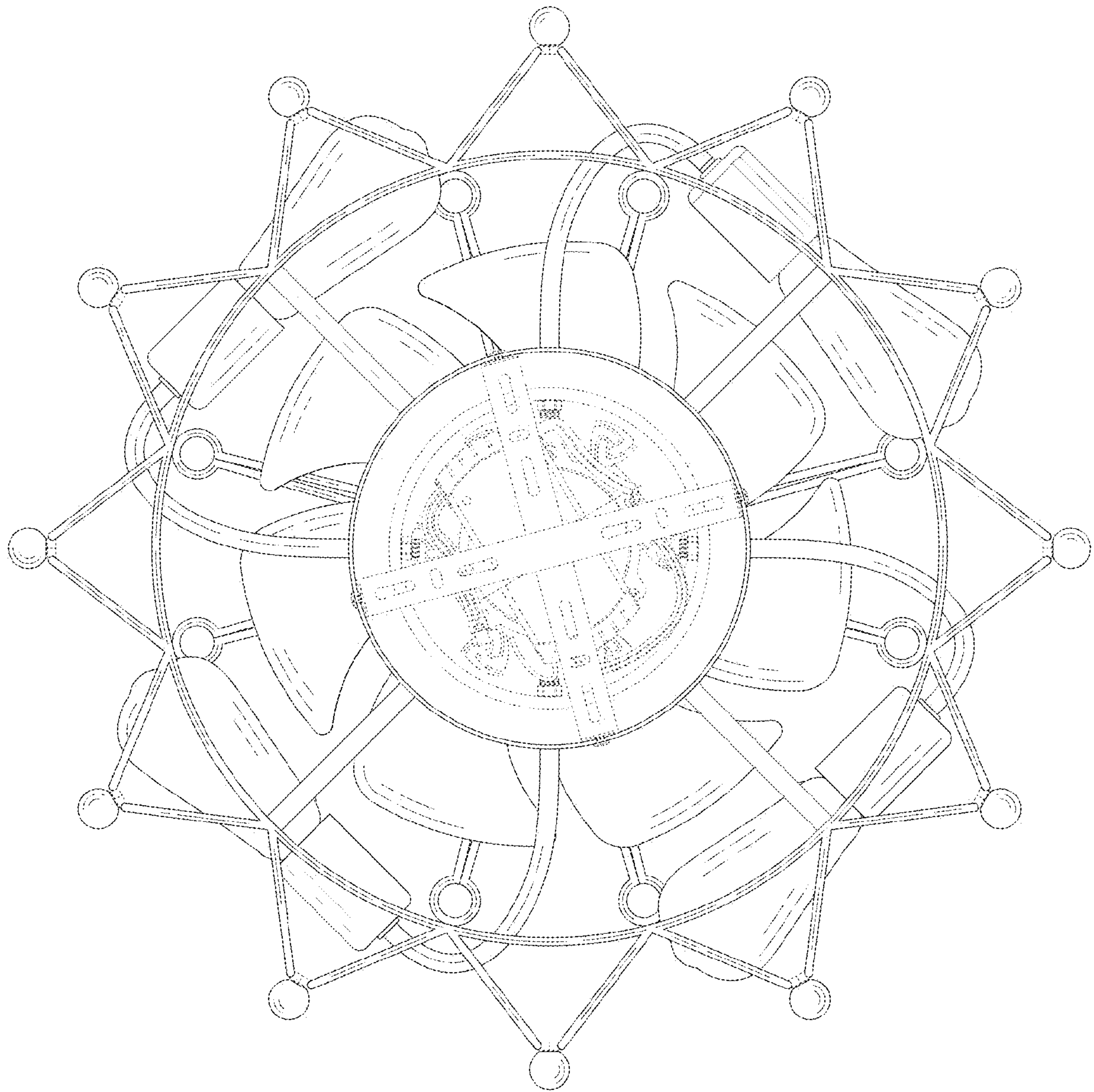


FIG. 3

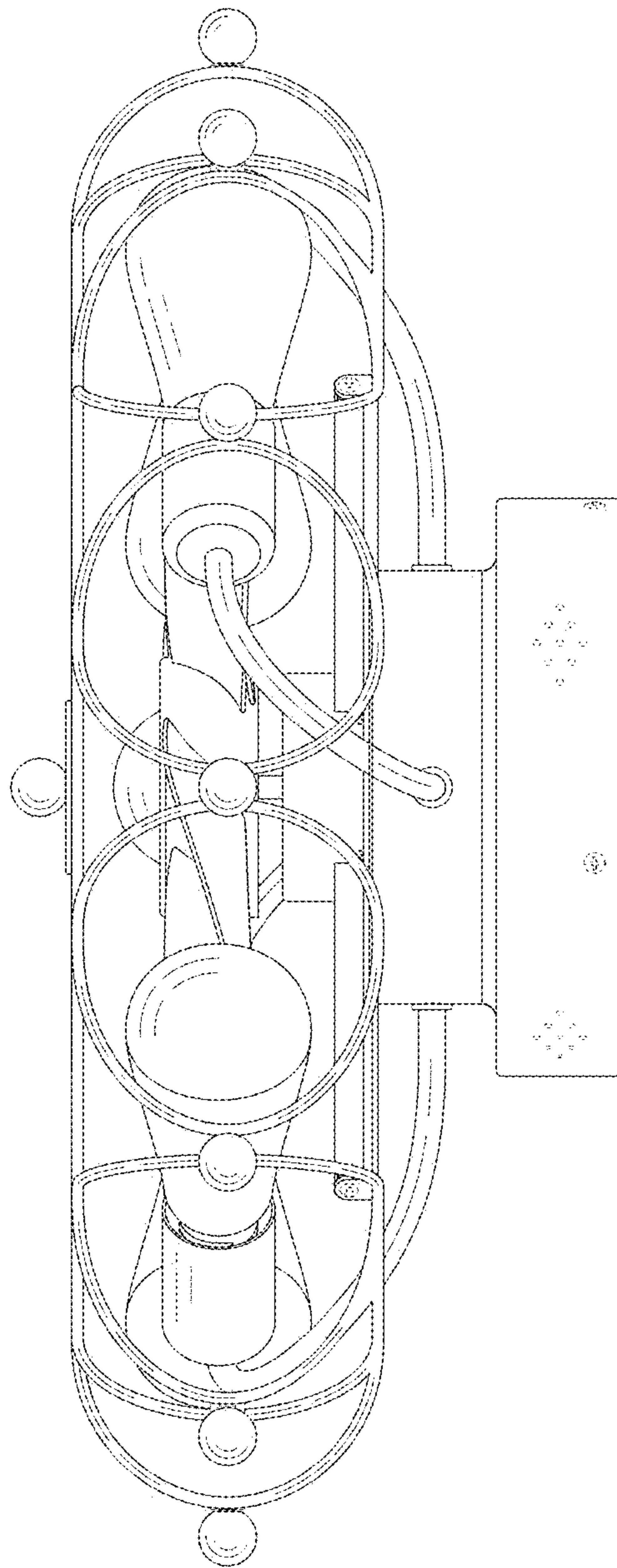


FIG. 4

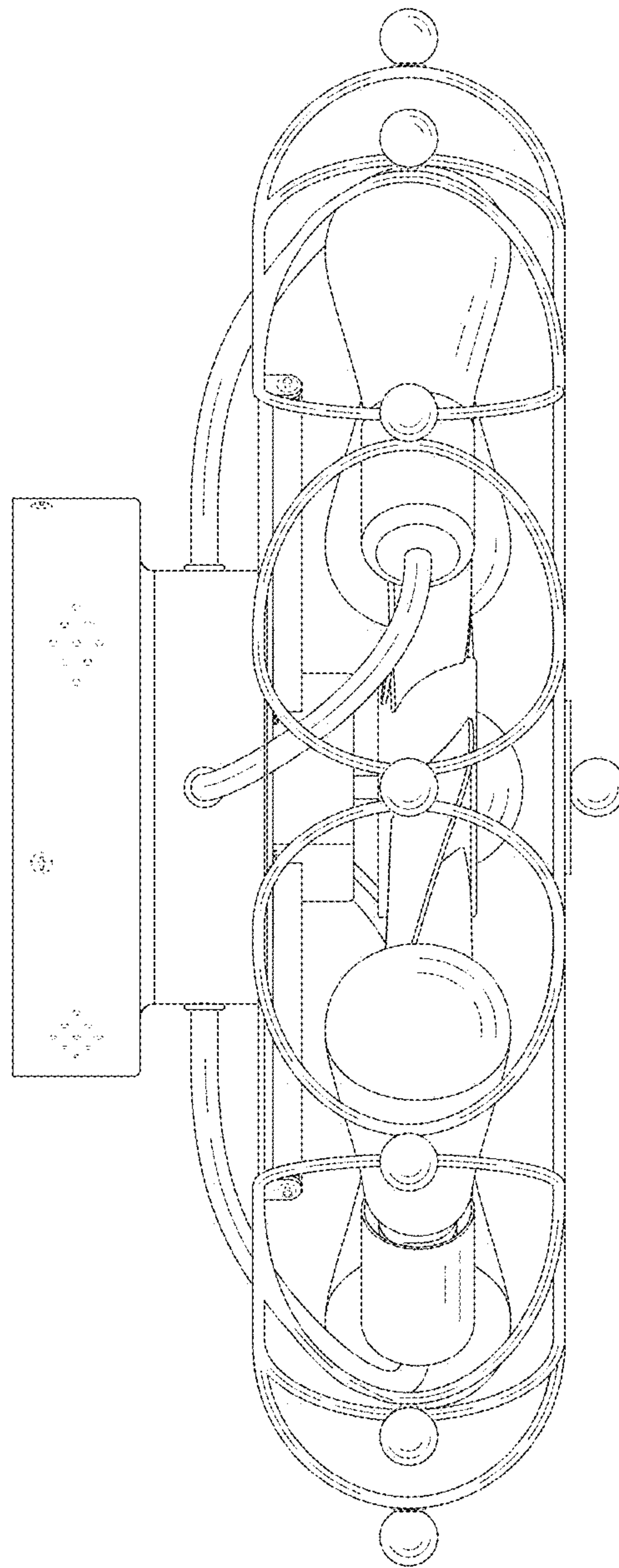


FIG. 5

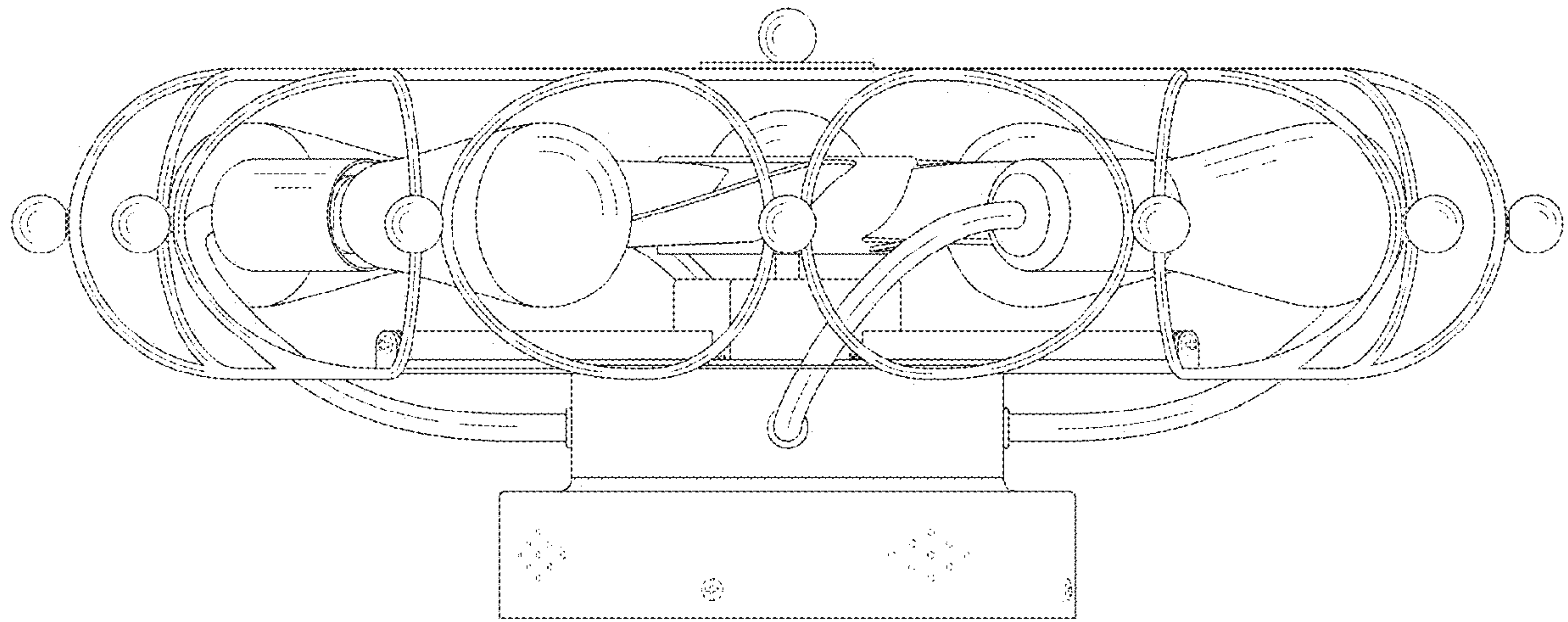


FIG. 6

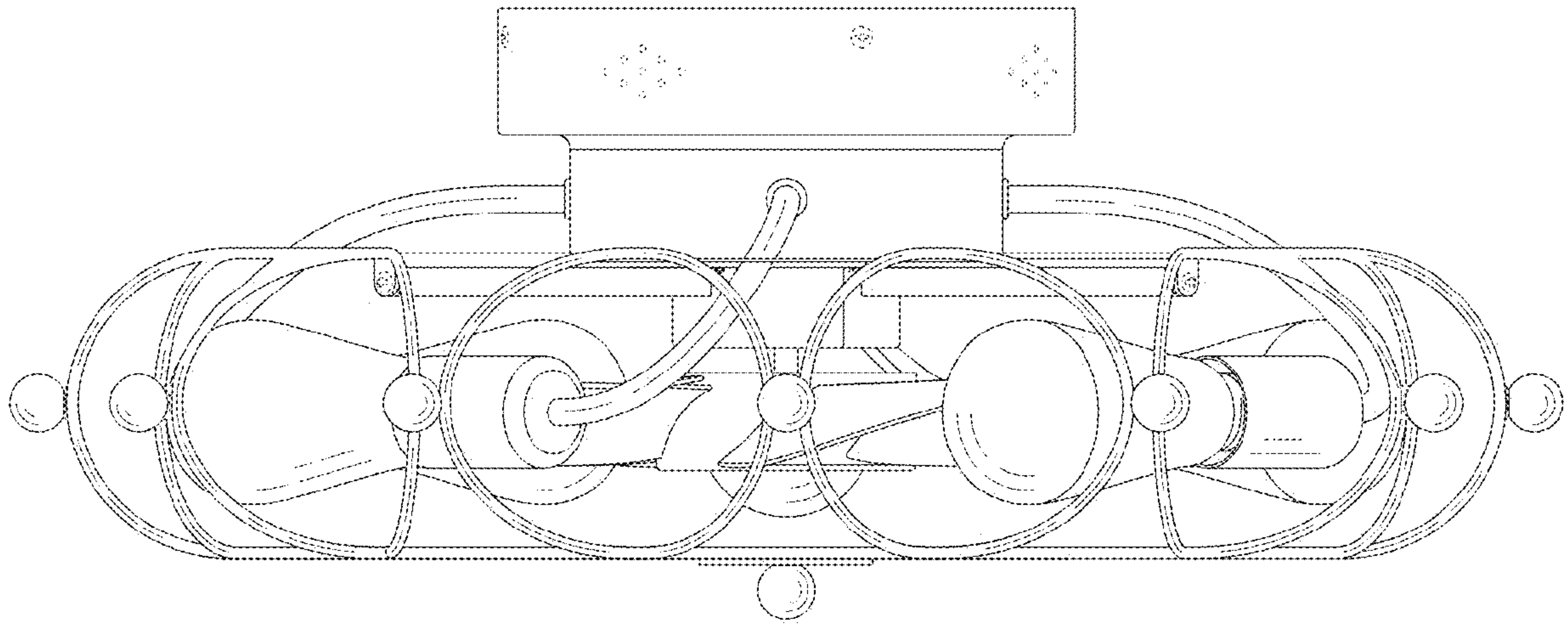


FIG. 7